

04/1998

Mod: E65/4PFV7

Production code: 65/70 CFE



Diamond
catering equipment

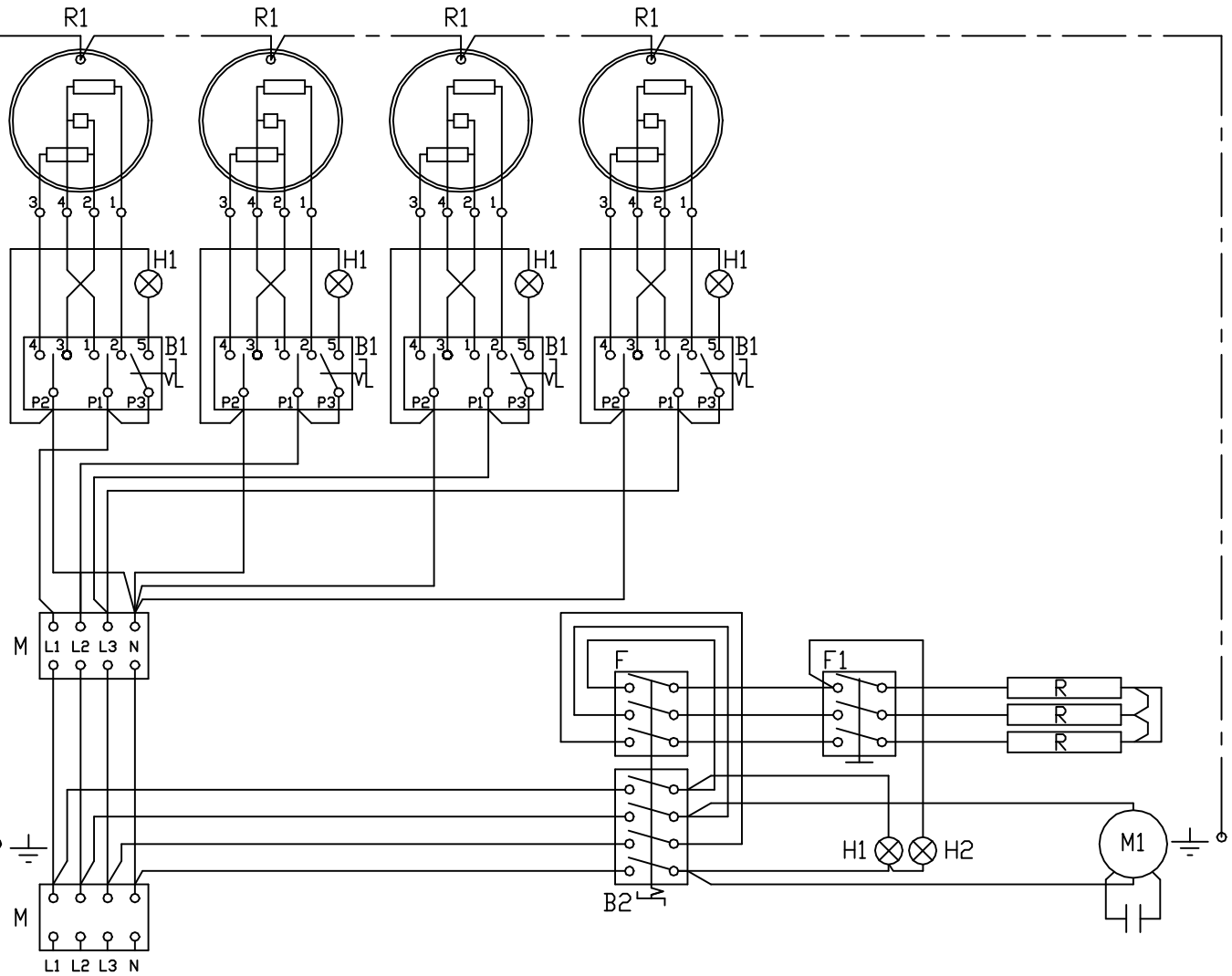
CUCINA EL CON FORNO A CONVEZIONE
 FORNEAUX EL AVEC FOUR A AIR PULSE
 ELEKTROHERD MIT UMLUFTOFEN
 ELECTRIC RANGE W/CONVECTION OVEN

E65/4PF7

CODICE

251.070.00

DATA 15.04.98



- M -MORSETTIERA ARRIVO LINEA _ JUNCTION BOX POWER INLET (FV173 V/V) COD: 663.036.00
 BORNES ARRIVEE LIGNE _ ANSCHLUSSBRETT
- B1 -COMMUTATORE _ CHANGE OVER SWITCH (EGO 49.27215.746) COD: 661.002.00
 COMMUTATEUR _ UMSCHALTER
- B2 -INTERRUTTORE _ CUTT-OFF SWITCH (EGO 49.41015.30) COD: 661.000.00
 INTERRUPTEUR _ EIN-AUS SCHALTER
- F -TERMOSTATO _ THERMOSTAT (EGO 55.34052.815) COD: 661.027.00
- F1 -TERMOSTATO DI SICUREZZA - SAFETY THERMOSTAT (EGO 55.32562.802) COD: 661.045.00
 THERMOSTAT DE SECURITE _ TEMPERATURBEGRENZER
- H1 -LAMPADA SPIA VERDE _ GREEN PILOT LIGHT COD: 663.000.00
 LAMPE TEMDIN VERT _ GRUNE KONTROLLAMPE
- H2 -LAMPADA SPIA ARANCIO _ ORANGE PILOT LIGHT COD: 663.001.00
 LAMPE TEMDIN ORANGE _ GELBE KONTROLLAMPE
- M1 -MOTORE _ MOTOR (230 V) COD: 664.000.00
 MOTEUR
- R -RESISTENZA _ HEATING ELEMENT (1,26 kW - 230 V) COD: 665.008.00
 RESISTANCE _ HEIZKÖRPER
- R1 -PIASTRA ELETTRICA _ ELECTRIC COOKING PLATE (2,6kW - 240 V) COD: 665.006.00
 PLAQUE ELECTRIQUE _ ELEKTRO KOCHPLATTE

SUSSTITUISUE PAKI NUMERU DEL 19/01/98

POTENZA TOTALE - TOTAL POWER
 PUISSANCE TOTAL - ANSCHLUSSWERT

13,56kW 400V+3N~ 26,6A 50HZ