

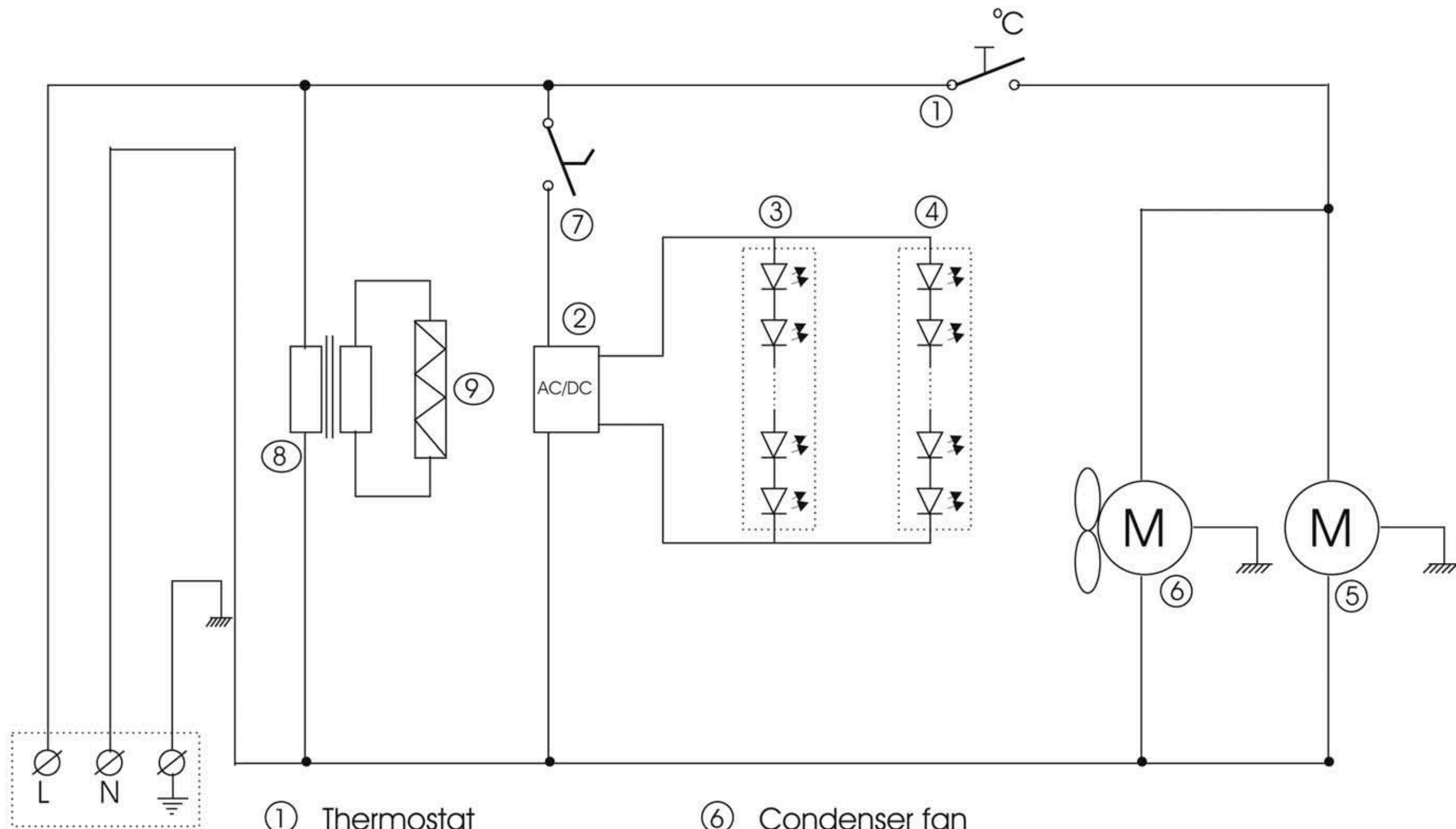
09/2018

Mod: **TOP50N/R2**

Production code: **UF50G-P**



**Diamond**  
catering equipment



- ① Thermostat
- ② Power supply
- ③ Internal LED
- ④ Canopy LED (GCP only)
- ⑤ Compressor
- ⑥ Condenser fan
- ⑦ Light switch
- ⑧ Transformer (From 2015)
- ⑨ Glass heater (From 2015)

	Date: 141030
Model:UF50/100GCP	Rev.: 02
Wiring diagram	Rev. by: rfj
Drawing no.:	