

09/2015

Mod: MD22/R-N

Production code: TS 3270



Diamond
catering equipment

INSTRUCTIONS FOR USE AND INSTALLATION TOASTERS

TS 1270 / TS 3270



Made in France

Septembre 2015

TOASTERS

TS 1270 / TS 3270

Congratulations for the acquisition of this upmarket appliance made in France. You chose an appliance which alloys the best technical qualities with a big user-friendliness. We wish you the biggest contentment.

1. SECURITY INSTRUCTIONS

Please respect these instructions scrupulously to avoid any risk of fire, electric shock, scald or other wounds and damage. During the use of this appliance, fundamental circum-spection of security must always be noticed, such as:

- Take into account the instructions and keep it systematically with the appliance.
- Install the appliance always in instructions respect. A 10 cm distance minimum with the partition or the wall is necessary.
- Protect the appliance from direct light of the sun, frost and humidity.
- Never leave the appliance within the reach of children or disabled persons without surveillance.
- Never move the appliance when it is working or when the surfaces of cooking are still hot.
- Check that the appliance is definitely off before connecting it up or disconnecting it.
- Do not touch the hot surfaces of the appliance. The temperature of the hot surfaces can be very important when the appliance is working. Always use handles and control knobs.

- Do not use the appliance for other functions than determined use.
- Do not leave the electrical cord in contact of hot surfaces.
- The appliance should not be used close to combustible materials.
- During use, look after not to obstruct hearings of aeration of the appliance.
- To avoid any electric shock, never plunge the appliance, the cord or plug in water or quite other liquid.
- If the cord is harmed, it must be replaced by the producer, his after sale service or persons of similar skills to avoid any risk.
- Entrust repairs only to a skilled person.
- Use only spare parts of origin.
- At the end of cooking, before cleaning the appliance, do not forget to disconnect it.

2. CONTENTS OF CARDBOARD PACKAGING

Device: A toaster with protecting grids

- Accessories:
- One tray
 - One cooking grid with handles (TS 1270/TS 3270)
 - One cooking grid with deflector (TS 3270 only)
 - The present note

See exploded views for TS 1270 / TS 3270 at the end of the document.

3. CONFORMITY OF USE

Use the appliance only to cook, reheat, glaze, brown, toast... in quantity your croque-monsieur, pizzas, quiches, cheese/meat puffs....with no preheating, smokes or odours.

4. WAY OF FUNCTIONING

Unique in the world, these salamanders toasters with 1 or 2 levels and 2 or 3 quartz tubes lines enable to defrost, brown, glaze, grill or toast every kind of dishes.

For fast service, the top part of the salamander (TS 3270) is closed and fitted with a tray with handles.

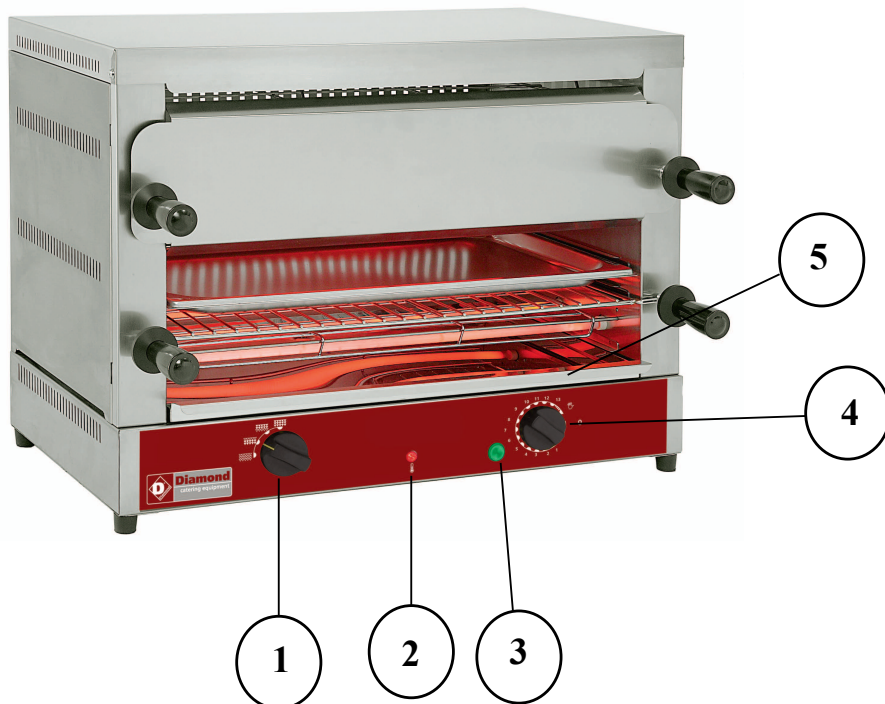
According to the dimension of the machine, you can cook instantly at core with no smoke and odour thanks to the rays of the infrared quartz tubes from 200 to 400 toasts per hour.

Preheat is not necessary as the temperature rise is very fast, less than 30 sec.

To turn on the toaster, just action the commutator (n°1 on picture) on the desired position (from 2 to 4), turn on the timer (n°4 on picture) according the desired cooking time. The orange pilot light (n°2 on picture) ignites. Your machine is working.

The selection of the cooking zone is made through the commutator.

Never use the toaster without its tray (n°5 on picture).



1 Commutator

2 Orange pilot light

3 On/off pilot light

4 Timer

5 Tray

5. FUNCTIONING / MANIPULATION

a) Installation / assembly:

- Unpack carefully the device of its packaging.
- Place it on a plane and heatproof surface.
- Never place the device near a wall or near a partition makes of combustible materials even if it is very well isolated.
- A distance of minimum 10 cm with the partition or the wall is necessary.
- Remove the protective films

b) First starting:

During the first use, warm your machine up outside to evacuate residual smokes of manufacturing oil from the metallic parts. This may emit a slight smell for a few moments.

First cleaning

Clean the device before the first use. (See 6. Cleaning)

Connection of the device

- Check that the tension and the frequency of the electricity network suit to the values indicated on the descriptive plate.
- Check that neither the cord nor the plug are damaged. If necessary, it has to be replaced by the manufacturer, its after sale service or any qualified person to avoid any risk.
- Make sure that every control knob is positioned on 0.
- Unwind completely the electric power cable and connect it in a plug connected with the earth.
- The device is connected.

NB: in case of connection of the device in a plug without earth protection or directly on the electricity network, confide its connection to a qualified person .

c) Use of device :

Elements of command and display

Command/Display	Function
Commutator 4 positions (n° 1 on picture) : Position 1 Position 2: Toaster/salamander Position 3: Pizza oven Position 4	Stop Bottom and middle quartz tubes on Top and middle quartz tubes on All the tubes warm
Orange pilot light (n°2 on picture)	Machine is on
Green pilot light (n°3 on picture)	On/off
Timer 15 min (n°4 on picture)	Cooking time

Putting on

Turn on the commutator (n°1 on picture) on the wished position.
Turn on the timer control knob (n°4 on picture) on the wished cooking time
The orange pilot light (n°2 on picture) ignites. The machine is on.

You can use your toaster in continuous by turning the timer on left side from position 0. Caution : do not forget to turn off your pizza oven after use.

Temperature setting

Set the power desired by positioning the commutator (n°1 on picture) to the wished position.

Stopping the appliance

Set the timer (n°4 on picture) on 0
Set the commutator (n°1 on picture) on 0: the appliance is no longer functioning.
Disconnect the power cable.
Clean the appliance. (see 6. Cleaning)

d) Breakdown / repair:

In case of breakdown or of damaged part, please call your after-sales service and confide any technical operation to qualified person.

When you contact the after-sales service of your distributor or your store, give him the complete reference of your device (commercial name, type and serial number). This information appears on the visible descriptive plate behind the device.

6. CLEANING AND MAINTENANCE

- Disconnect the device.
- Let cool completely the device before any technical intervention or cleaning.
- Never clean the quartz tubes when they are hot
- Avoid touching quartz tubes with your fingers but use a cloth moistened with spirit.
- Clean regularly the external walls of your device with warm water and wash liquid: avoid the abrasive towelling. Rinse your device with a wet sponge.
- Never clean the device under a water jet, the infiltrations would risk to damage it in a irreparable way.
- Never immerse the device, the cord or the plug in the water or quite other liquid to avoid any electric shock.
- During a prolonged non-use, we recommend you strongly to keep the device shielded from the humidity.

7. TECHNICAL SPECIFICATIONS

Models	TS 1270	TS 3270 1 cable	TS 3270 2 cords
Outside dimensions mm	640x380x330	640x380x475	640x380x475
Weight	13 Kg	19 Kg	19 Kg
Power	2700 W	4000 W	2 x 2000 W
No quartz tube	6	9	9
Current	11 A	17.4 A	8.5 A/Phase
Voltage	220-240 V ~	380-440 V 3 N ~	2 x 220-240 V ~

Wires colours correspondence

Phase 1	Brown
Phase 2	Black
Phase 3	Grey
Neutral	Blue
Earth	Yellow-Green

8. NORMS AND LEGALS DISPOSALS

The device is conform to :

IEC/EN 60335-1
 IEC/EN 60335-2-48
 EN 55014-1 + 55014-2
 EN 61000-3-2 + 61000-3-3

9. ELIMINATION OF THE ELECTRIC AND ELECTRONIC WASTE

The device respects the directives:

2002/96/CE (DEEE) N°34270064800021
2002/95/CE (ROHS)
2006/95 CE
2004/108 CE



Reach rule

Never put the device among household waste.

The device must be put down in a centre of recycling for the electric equipments.

The materials of the device are indeed reusable. By eliminating correctly the electric and electronic wastes, the recycling and quite other shape of re-use of worn equipments, you participate in a significant way in the environmental protection.

For any information about the collection of electric and electronic waste, please contact your distributor.

10. GUARANTEE

Conditions of guarantee

The guarantee applicable to any device is the commercial guarantee of the distributor or the retailer. Please contact the store where you bought your device to know the precise conditions.

The guarantee grants no right for damages.

The dispositions which follow are not exclusive of the profit of the legal guarantee planned by articles 1641 and following ones of the Civil code relative to the defects and the latent defects.

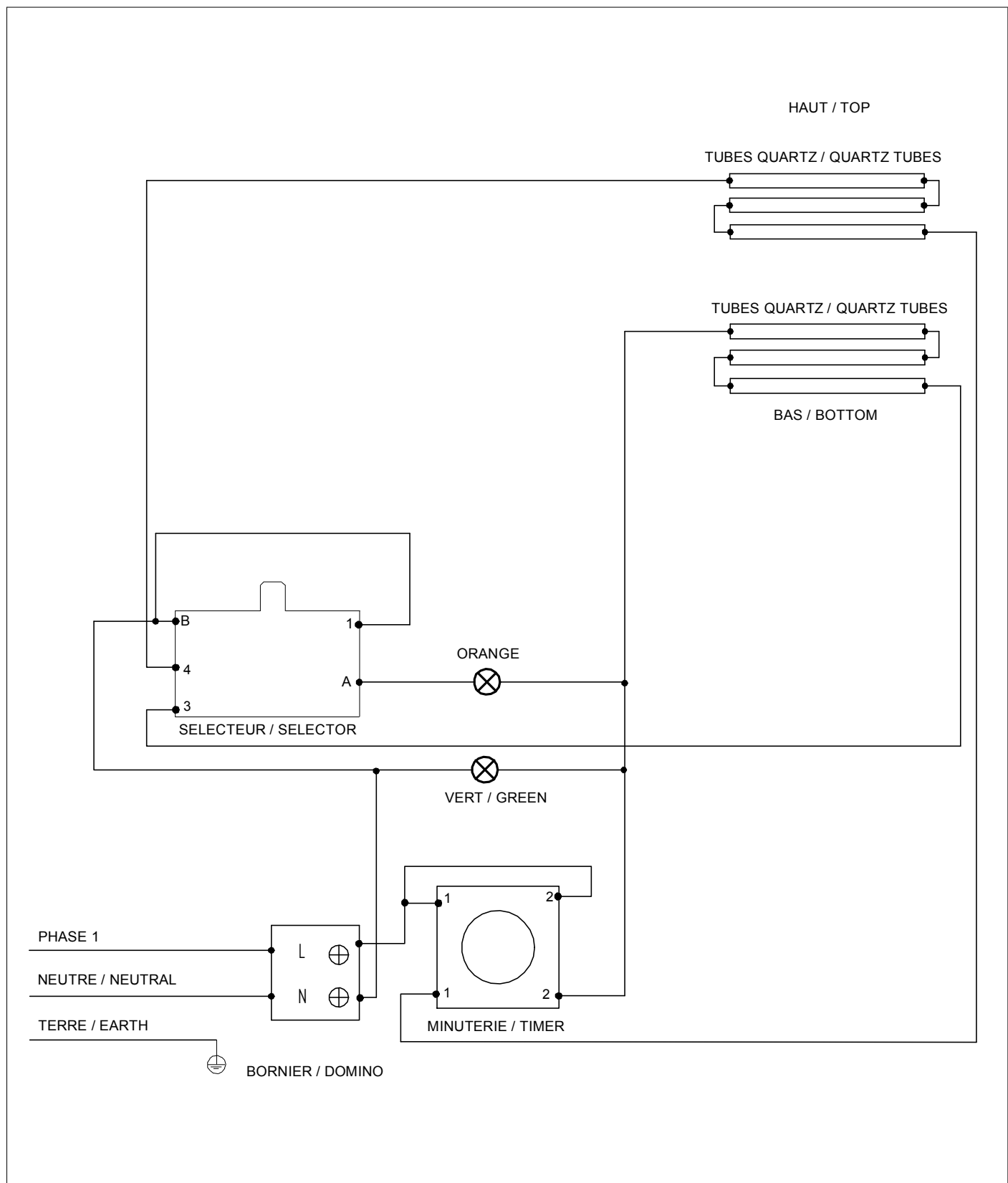
Exclusion clauses of the guarantee

Bad installation and bad maintenance, in particular if they do not respect current regulations or instructions appearing in this user guide.

Cannot benefit from the guarantee the repairs required as a result of false operations, of inappropriate use, of carelessness or of excess loads of the device, as well as those resulting from variations of the power supply, over tension or from defective installations.

The damage due to shocks, bad weather is not flatware by the guarantee. The material travels at the risks of the user; in case of delivery by carrier, the consignee has to have reservations towards the carrier before any delivery of the device.

The guarantee comes to an end in case of intervention, of repair, of modification by no qualified persons, or of use in inappropriate purposes.

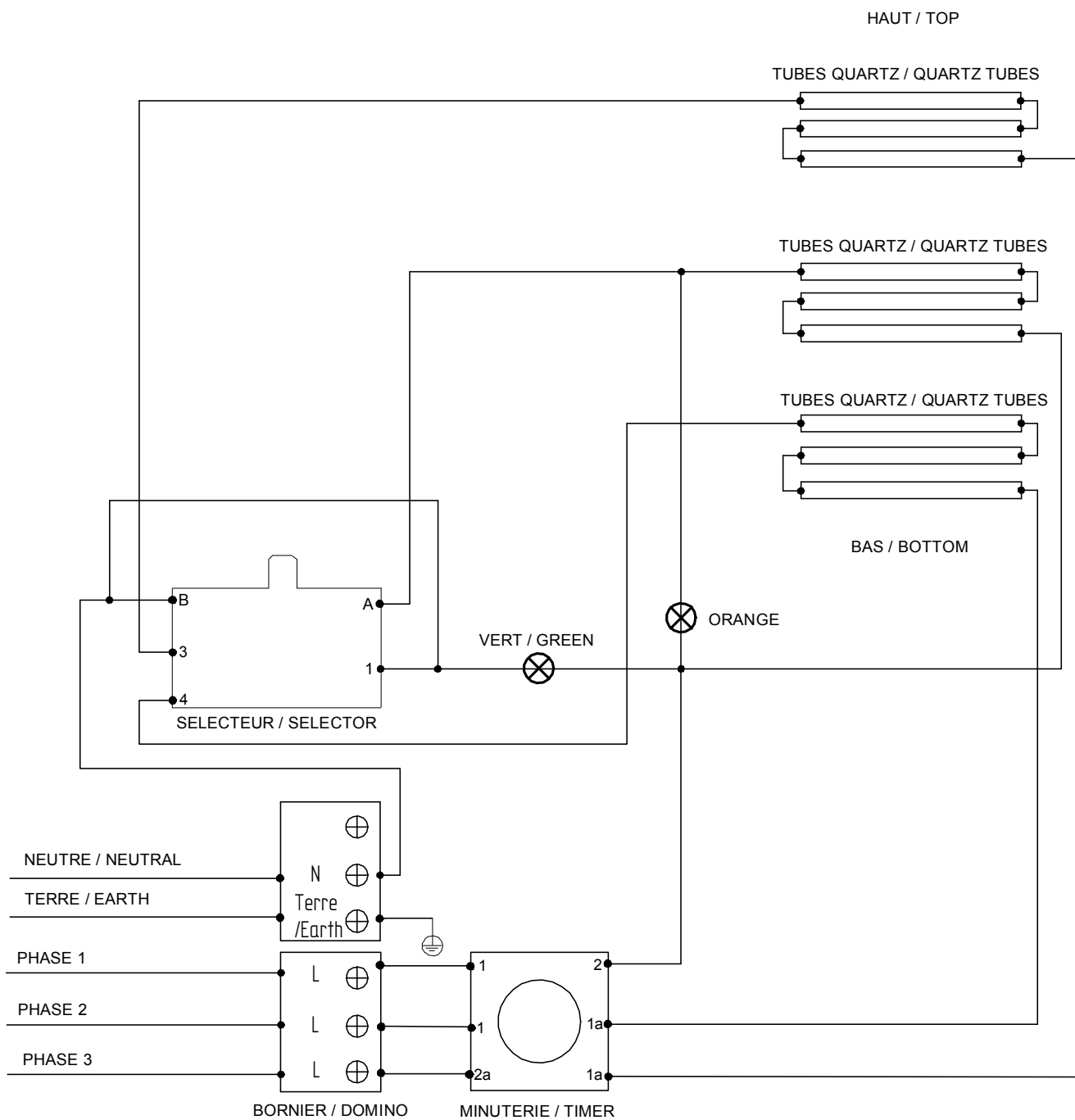


Câblage : C02378

TS 1270

Schéma électrique

DT40	Date : 24/11/2014	Dessiné par : C.Gu	Approuvé par : S.Grenon	Date : 24/11/2014	Indice A
------	----------------------	-----------------------	----------------------------	----------------------	-------------

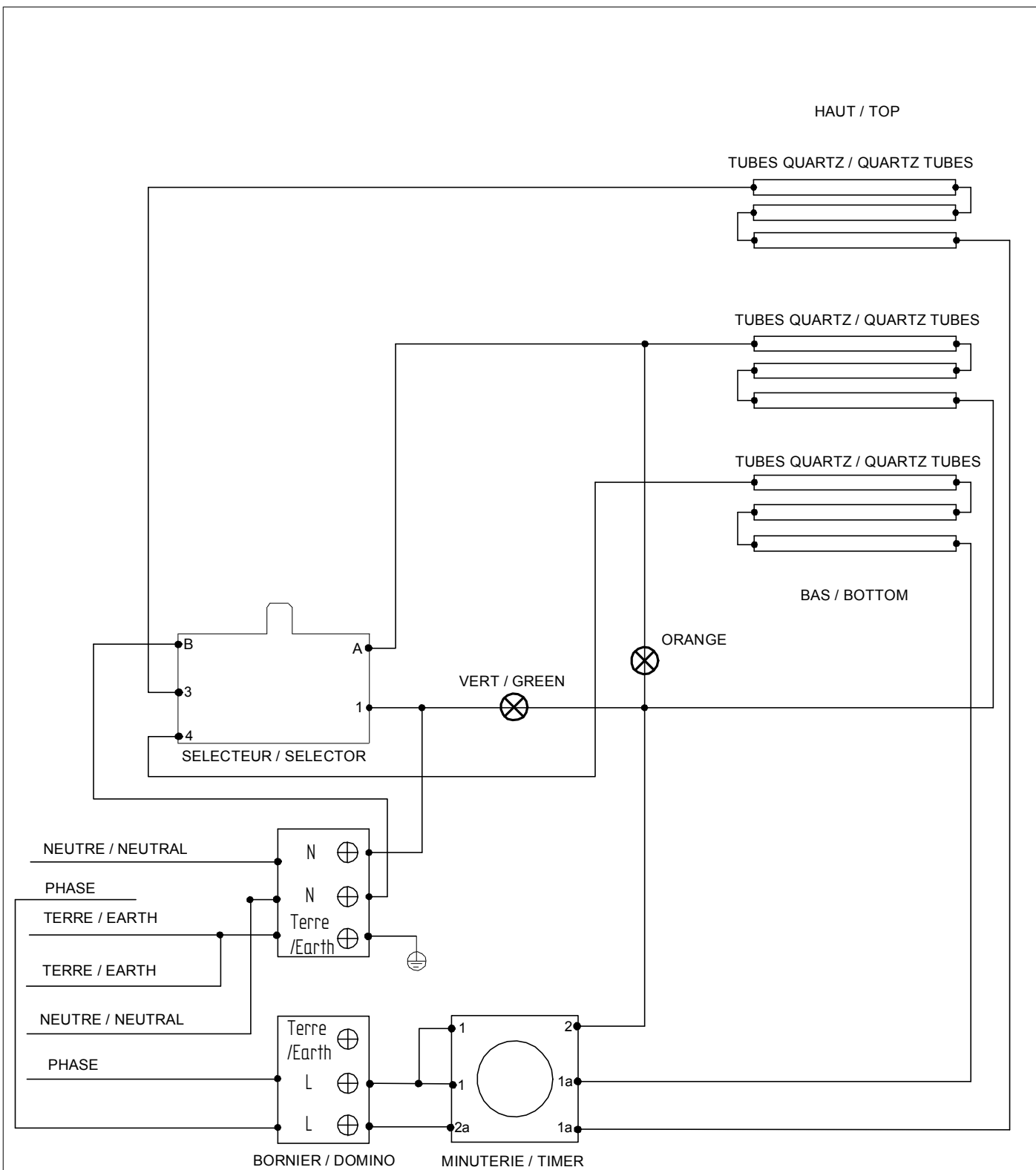


Câblage : C02230

TS 3270 1 cordon

Schéma électrique

DT39_2	Date : 20/11/2014	Dessiné par : C.Gu	Approuvé par : S.Grenon	Date : 20/11/014	Indice A
--------	----------------------	-----------------------	----------------------------	---------------------	-------------



Câblage : **C02230**

TS 3270 2 cordons

Schéma électrique

DT39_1	Date : 20/11/2014	Dessiné par : C.Gu	Approuvé par : S.Grenon	Date : 20/11/014	Indice A
--------	----------------------	------------------------------	----------------------------	---------------------	--------------------

CODE	QTE	PIECE	SPARE PART
44037	1	FOND SOCLE TS 3270/TG 535	BOTTOM ENCLOSURE TS 3270/TG 535
44041	1	PLAT TS 3270/TG 535	TRAY TS 3270/TG 535
44042	1	SOCLE	BASE
44043	1	TOIT TS 3270/TG 535	ROOF TS 3270/TG 535
44044	1	TOIT INTERIEUR TS 3270/TG 535	INSIDE ROOF TS 3270/TG 535
44045	1	ARRIERE TS 1270	BACK TS 1270
44046	2	FLASQUE GAUCHE/DROITE TS 1270	SIDE LEFT/RIGHT TS 1270
44047SE	1	MONTANT DROIT TS 1270	RIGHT UPRIGHT TS 1270
44048SE	1	MONTANT GAUCHE TS 1270	LEFT UPRIGHT TS 1270
44049	1	CACHE TROU SOCLE TOASTER	BASE HOLE COVER TOASTER
A01017	1	COMMUTATEUR 3 POS. BAR 1000/2000 + RST 1270/2270	COMMUTATOR 3 POS. BAR 1000/2000 + RST 1270/2270
A02008	1	MINUTERIE 15 MN RST, BAR	TIMER 15 MN TOASTERS
A08003	1	VOYANT ORANGE DIAM 12	ORANGE PILOT LIGHT DIAM 12
A08009	1	VOYANT VERT DIAM 12	GREEN PILOT LIGHT DIAM 12
A10032	1	PRESSE ETOUPE	CORD CLOSER
A12011	2	PASSE FIL DA 110	CABLE SHOE DA 110
A13017	4	PIED	FOOT
A14078	2	BOUTON 12 H ELECT	KNOB 12 H FOR ELECTRIC
A16013	1	BORNIER 3 PLOTS	3 HOLES DOMINO
A17010	2	POIGNEE SUPPORT GRILLE TG 535	GRID HOLDER HANDLE TG 535
A17011	2	FLANC POIGNEE DIAM 45	FLANK HANDLE DIAM 45
B07025	12	RESSORT BRIDE TUBE QUARTZ	TUBE HOLDER SPRING
B08044	2	ENTRETOISE GRILLE TG 535	SPACER TG 535
C03P04017	1	CORDON	CORD
D04033	6	RESISTANCE + TUBE QUARTZ TOASTER TG 535/TS 3270	QUARTZ TUBE ASSEMBLY TOASTER TG 535/TS 3270
F01026	2	GRILLE PROTEGE TUBES RST 1270/2270	TUBES PROTECTING GRID RST 1270/2270
F01062	1	GRILLE TOASTER TG 535	TOASTER GRID TG 535
F02010	4	TIGE GRILLE PROTEGE TUBES	TUBES PROTECTING GRID STEM
G06P04017	1	CADRAN	FRONT PANEL

TS 1270

Nomenclature

DT40

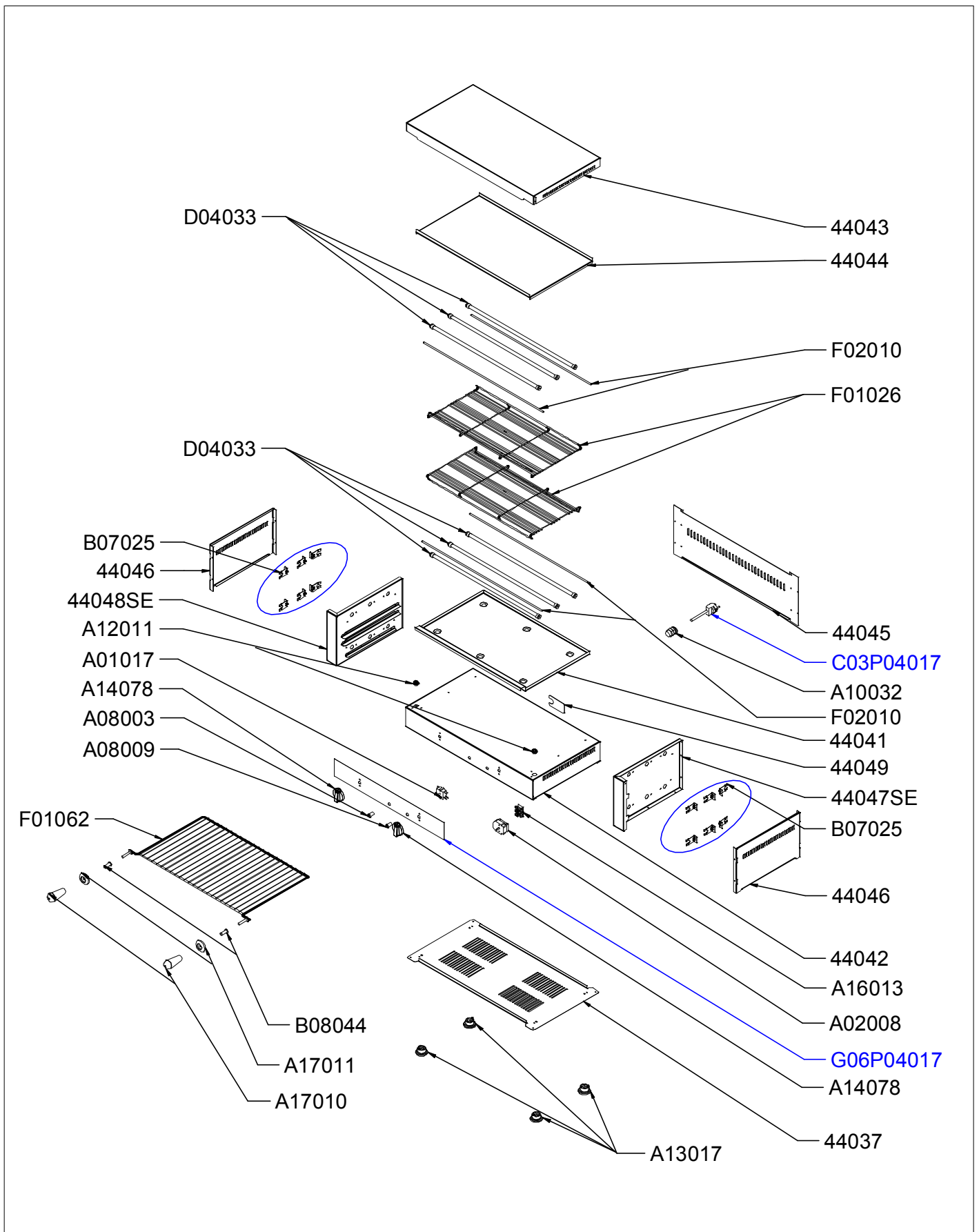
Date :
24/11/2014

Dessiné par :
C.Gu

Approuvé par :
J.Godéré

Date :
24/11/2014

Indice
A



<h1>TS 1270</h1>				Vue éclatée	
DT40	Date : 24/11/2014	Dessiné par : C.Gu	Approuvé par : S.Grenon	Date : 24/11/2014	Indice A

CODE	QTE	PIECE	SPARE PART
44034	1	ARRIERE TG 535/TS 3270	BACK TG 535/TS 3270
44035	1	BANDEAU GRILLE TS 3270/TG 535	GRID DEFLECTOR TS 3270/TG 535
44036	2	FLASQUE G/D TS 3270/TG 535	RIGHT AND LEFT WALL TS 3270/TG 535
44037	1	FOND SOCLE TS 3270/TG 535	BOTTOM ENCLOSURE TS 3270/TG 535
44039SE	1	MONTANT DROIT TS 3270/TG 535	RIGHT UPRIGHT TS 3270/TG 535
44040SE	1	MONTANT GAUCHE TS 3270/TG 535	LEFT UPRIGHT TS 3270/TG 535
44041	1	PLAT TS 3270/TG 535	TRAY TS 3270/TG 535
44042	1	SOCLE	BASE
44043	1	TOIT TS 3270/TG 535	ROOF TS 3270/TG 535
44044	1	TOIT INTERIEUR TS 3270/TG 535	INSIDE ROOF TS 3270/TG 535
44049	1	CACHE TROU SOCLE TOASTER	BASE HOLE COVER TOASTER
A01017	1	COMMUTATEUR 3 POS. BAR 1000/2000 + RST 1270/2270	COMMUTATOR 3 POS. BAR 1000/2000 + RST 1270/2270
A02002	1	MINUTERIE RST 227 15 MN	TIMER RST 227 15 MN
A08003	1	VOYANT ORANGE DIAM 12	ORANGE PILOT LIGHT DIAM 12
A08009	1	VOYANT VERT DIAM 12	GREEN PILOT LIGHT DIAM 12
A10032	1	PRESSE ETOUPE	CORD CLOSER
A12011	2	PASSE FIL DA 110	CABLE SHOE DA 110
A13017	4	PIED	FOOT
A14078	2	BOUTON 12 H ELECT	KNOB 12 H FOR ELECTRIC
A16013	2	BORNIER 3 PLOTS	3 HOLES DOMINO
A17010	4	POIGNEE SUPPORT GRILLE TG 535	GRID HOLDER HANDLE TG 535
A17011	4	FLANC POIGNEE DIAM 45	FLANK HANDLE DIAM 45
B07025	18	RESSORT BRIDE TUBE QUARTZ	TUBE HOLDER SPRING
B08044	4	ENTRETOISE GRILLE TG 535	SPACER TG 535
C01P04016	1	CABLE	CABLE
D04033	9	RESISTANCE + TUBE QUARTZ TOASTER TG 535/TS 3270	QUARTZ TUBE ASSEMBLY TOASTER TG 535/TS 3270
F01026	4	GRILLE PROTEGE TUBES RST 1270/2270	TUBES PROTECTING GRID RST 1270/2270
F01062	2	GRILLE TOASTER TG 535	TOASTER GRID TG 535
F02010	8	TIGE GRILLE PROTEGE TUBES	TUBES PROTECTING GRID STEM
G06P04016	1	CADRAN	FRONT PANEL

TS 3270 1 cordon

Nomenclature

DT39_2

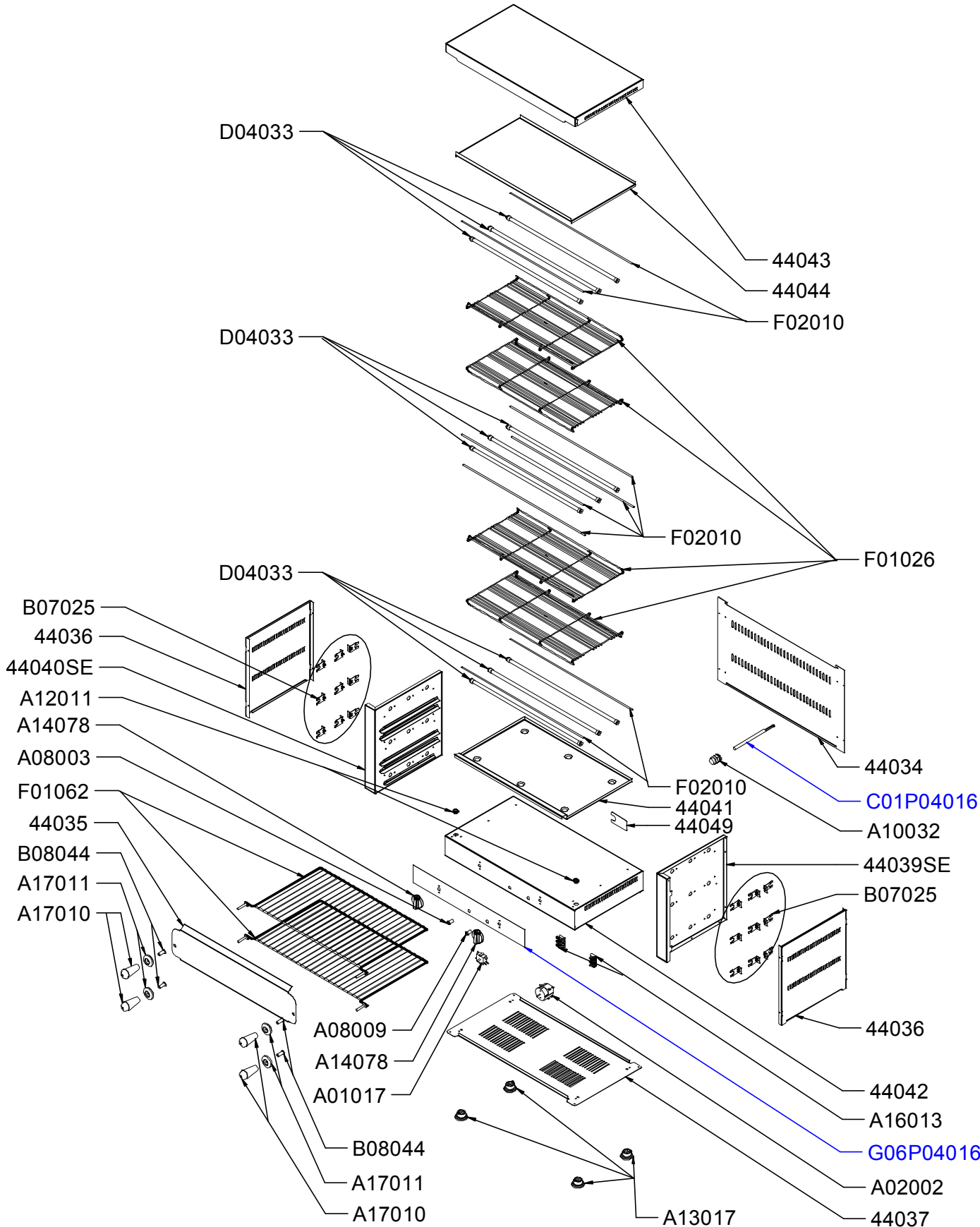
Date :
20/11/2014

Dessiné par :
C.Gu

Approuvé par :
J.Godéré

Date :
20/11/2014

Indice
A



TS 3270 1 cordon

Vue éclatée

DT39_2

Date :
20/11/2014

Dessiné par :
C.Gu

Approuvé par :
S.Grenon

Date :
20/11/2014

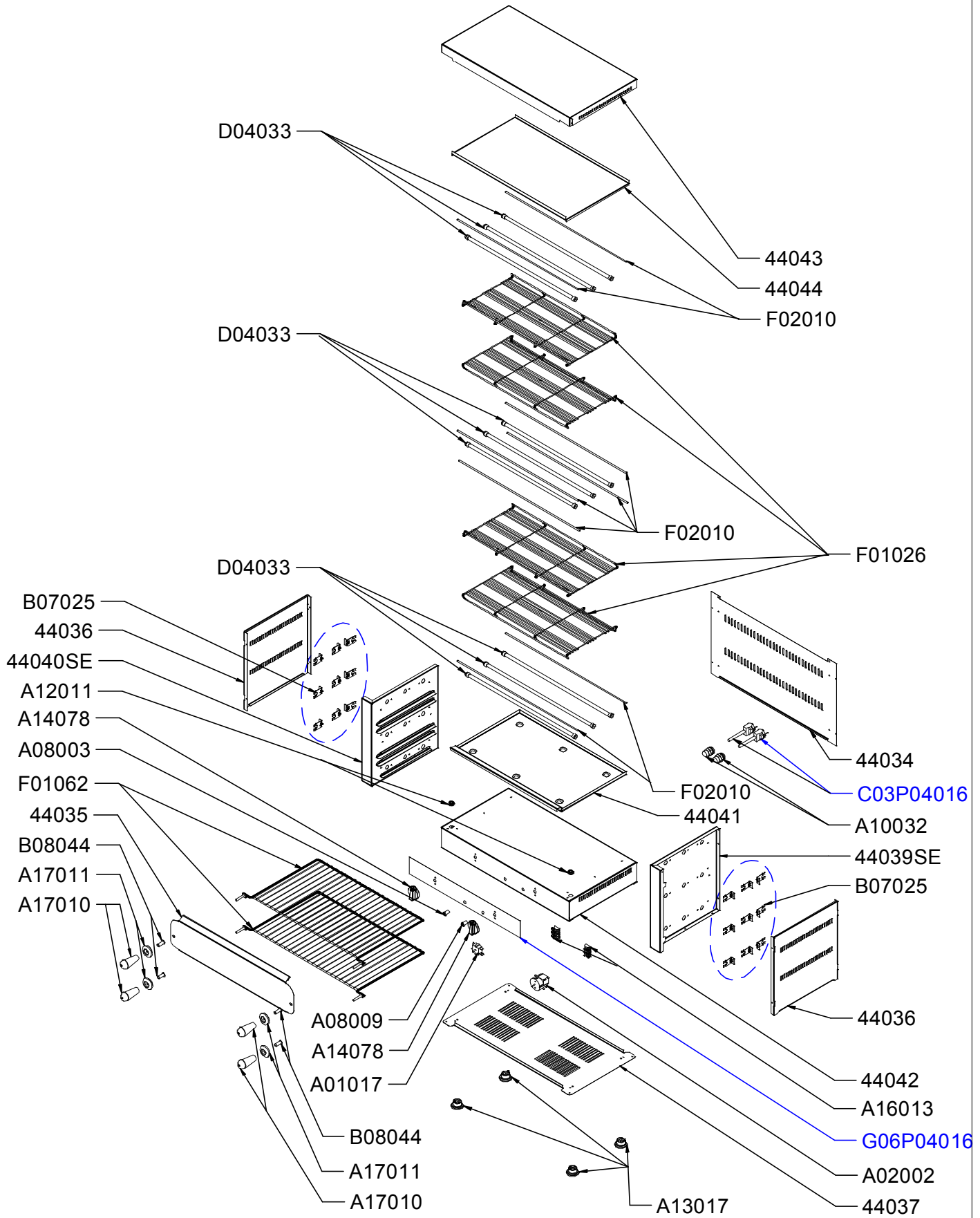
Indice
A

CODE	QTE	PIECE	SPARE PART
44034	1	ARRIERE TG 535/TS 3270	BACK TG 535/TS 3270
44035	1	BANDEAU GRILLE TS 3270/TG 535	GRID DEFLECTOR TS 3270/TG 535
44036	2	FLASQUE G/D TS 3270/TG 535	RIGHT AND LEFT WALL TS 3270/TG 535
44037	1	FOND SOCLE TS 3270/TG 535	BOTTOM ENCLOSURE TS 3270/TG 535
44039SE	1	MONTANT DROIT TS 3270/TG 535	RIGHT UPRIGHT TS 3270/TG 535
44040SE	1	MONTANT GAUCHE TS 3270/TG 535	LEFT UPRIGHT TS 3270/TG 535
44041	1	PLAT TS 3270/TG 535	TRAY TS 3270/TG 535
44042	1	SOCLE	BASE
44043	1	TOIT TS 3270/TG 535	ROOF TS 3270/TG 535
44044	1	TOIT INTERIEUR TS 3270/TG 535	INSIDE ROOF TS 3270/TG 535
A01017	1	COMMUTATEUR 3 POS. BAR 1000/2000 + RST 1270/2270	COMMUTATOR 3 POS. BAR 1000/2000 + RST 1270/2270
A02002	1	MINUTERIE RST 227 15 MN	TIMER RST 227 15 MN
A08003	1	VOYANT ORANGE DIAM 12	ORANGE PILOT LIGHT DIAM 12
A08009	1	VOYANT VERT DIAM 12	GREEN PILOT LIGHT DIAM 12
A10032	2	PRESSE ETOUPE	CORD CLOSER
A12011	2	PASSE FIL DA 110	CABLE SHOE DA 110
A13017	4	PIED	FOOT
A14078	2	BOUTON 12 H ELECT	KNOB 12 H FOR ELECTRIC
A16013	2	BORNIER 3 PLOTS	3 HOLES DOMINO
A17010	4	POIGNEE SUPPORT GRILLE TG 535	GRID HOLDER HANDLE TG 535
A17011	4	FLANC POIGNEE DIAM 45	FLANK HANDLE DIAM 45
B07025	18	RESSORT BRIDE TUBE QUARTZ	TUBE HOLDER SPRING
B08044	4	ENTRETOISE GRILLE TG 535	SPACER TG 535
C03P04016	2	CORDON	CORD
D04033	9	RESISTANCE + TUBE QUARTZ TOASTER TG 535/TS 3270	QUARTZ TUBE ASSEMBLY TOASTER TG 535/TS 3270
F01026	4	GRILLE PROTEGE TUBES RST 1270/2270	TUBES PROTECTING GRID RST 1270/2270
F01062	2	GRILLE TOASTER TG 535	TOASTER GRID TG 535
F02010	8	TIGE GRILLE PROTEGE TUBES	TUBES PROTECTING GRID STEM
G06P04016	1	CADRAN	FRONT PANEL

TS 3270 2 cordons

Nomenclature

DT39_1	Date : 20/11/2014	Dessiné par : C.Gu	Approuvé par : J.Godéré	Date : 20/11/2014	Indice A
--------	----------------------	-----------------------	----------------------------	----------------------	-------------



TS 3270 2 cordons

Vue éclatée

DT39_1

Date :
20/11/2014

Dessiné par :
C.Gu

Approuvé par :
S.Grenon

Date :
20/11/2014

Indice
A