

12/2019

# **Mod: AROMA/2EB**

**Production code: QUADRANT 2 DSP BLACK**

# MÁQUINA CAFÉ ESPRESSO

## ESPRESSO COFFEE MACHINE



**MÁQ. CAFÉ AROMA/2EB**  
**ESPRESSO COFFEE MACHINE AROMA/2EB**



**MÁQ. CAFÉ AROMA/2EW**  
**ESPRESSO COFFEE MACHINE AROMA/2EW**

**POTÊNCIA** ..... **3700 W**  
**POWER**

**TENSÃO DE ALIMENTAÇÃO** ..... **~ 220-240V - 50/60Hz**  
**POWER SUPPLY**

**GRUPOS** ..... **2**  
**GROUPS**

**CAPACIDADE DA CALDEIRA** ..... **11 L**  
**BOLLER CAPACITY**

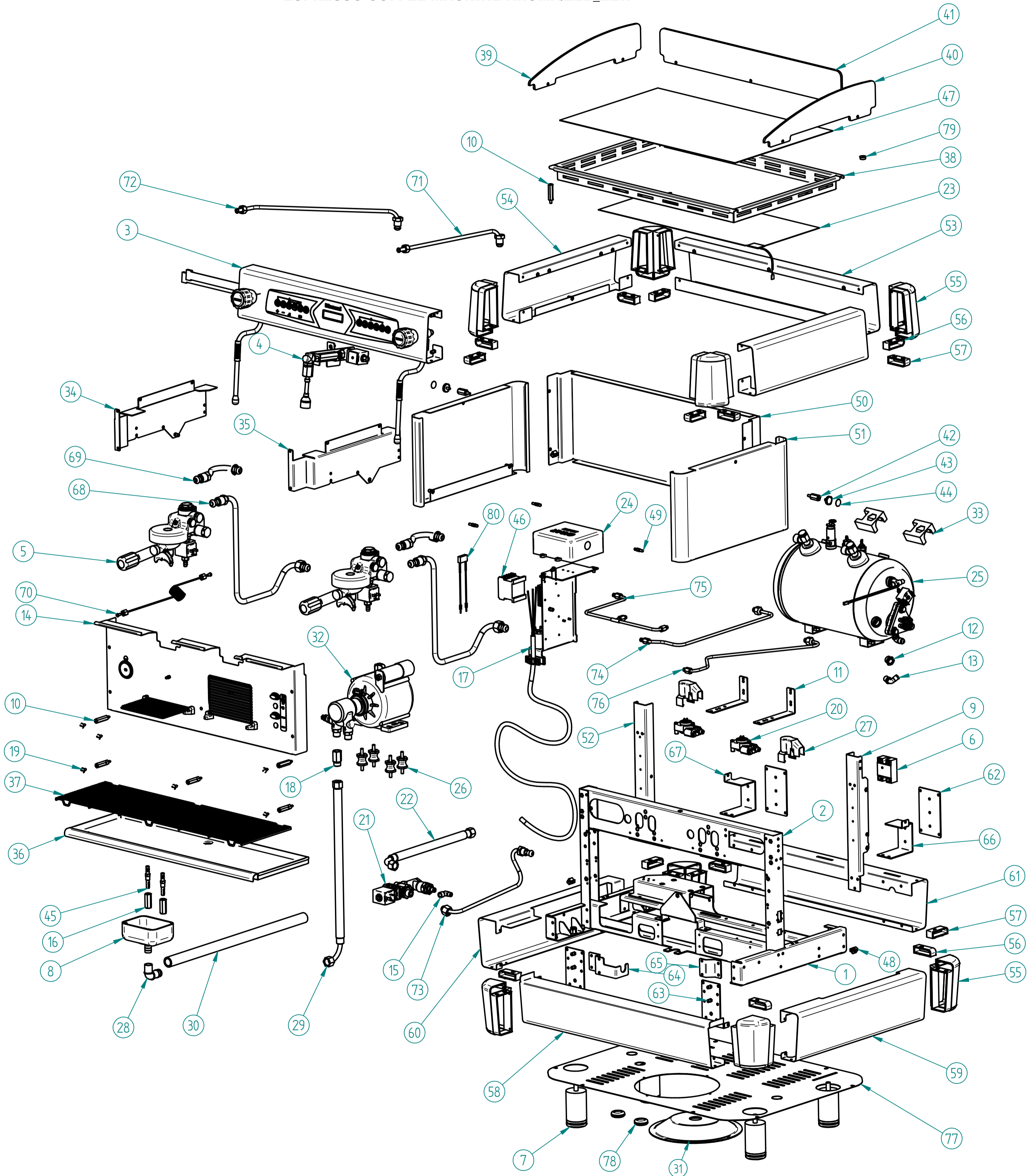
**TORNEIRAS DE AGUA / VAPOR** ..... **1 / 2**  
**WATER TAP / STEAM TAP**

**PESO LIQUIDO** ..... **62 kg**  
**NET WEIGHT**

**PESO BRUTO** ..... **76 kg**  
**GROSS WEIGHT**

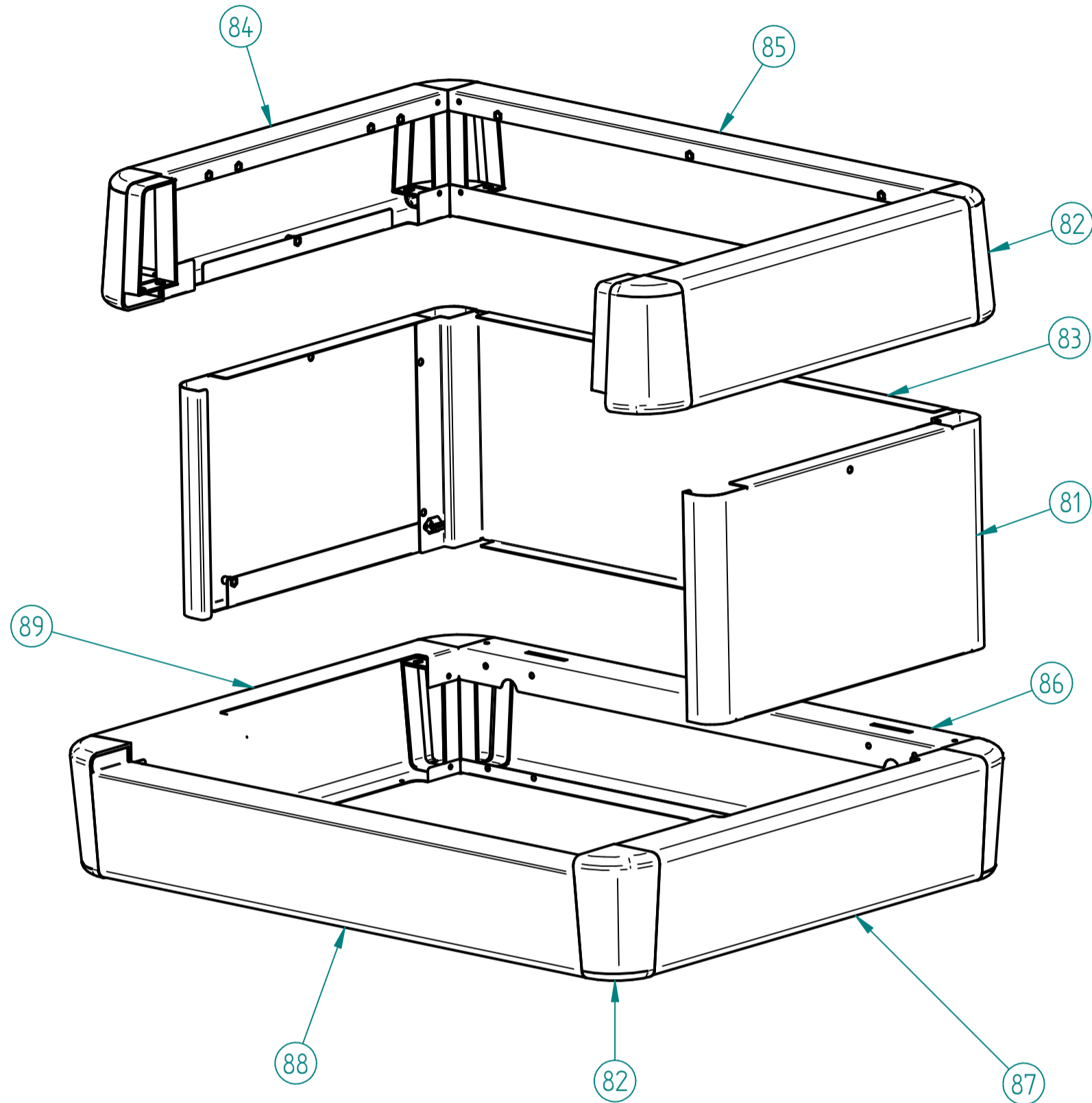
**DIMENSÕES (LxPxH)** ..... **750 x 600 x 595 mm**  
**DIMENSIONS**

**DIMENSÕES DA EMBALAGEM (LxPxH)** ..... **870 x 710 x 740 mm**  
**PACKAGE DIMENSIONS**

**MÁQ. CAFÉ AROMA/2EB\_2EW**
**ESPRESSO COFFEE MACHINE AROMA/2EB\_2EW**

**MÁQ. CAFÉ AROMA/2EB**
**ESPRESSO COFFEE MACHINE AROMA/2EB**

Os elementos deste desenho podem ser alterados sem aviso prévio.  
This drawing may be altered without previous notice.

**MÁQ. CAFÉ AROMA/2EB\_2EW**  
*ESPRESSO COFFEE MACHINE AROMA/2EB\_2EW*



**MÁQ. CAFÉ AROMA/2EW**  
*ESPRESSO COFFEE MACHINE AROMA/2EW*



# MÁQ. CAFÉ AROMA/2EB\_2EW

## ESPRESSO COFFEE MACHINE AROMA/2EB\_2EW

### LISTA DE COMPONENTES E ACESSÓRIOS

#### Spare parts list

ITEM Nº	CÓDIGO	DESIGNAÇÃO	DESIGNATION	QUANT.	ITEM Nº	CÓDIGO	DESIGNAÇÃO	DESIGNATION	QUANT.
1	7.0.017.5511	CHASSI HORIZONTAL ATLANTIC 2 ECC	HORIZONTAL CHASSIS ATLANTIC 2 ECC	1	46	4.0.091.0003	CONTACTOR 22A-AC1 BOBINE 230V	CONTACTOR 22A-AC1 230V	1
2	7.0.017.5512	CHASSI VERTICAL ATLANTIC 2 ECC	VERTICAL CHASSIS ATLANTIC 2 ECC	1	47	7.0.033.0081	GRELHA REDE 585X360	WIRE MESH GRID 585X360	1
3	PRÉ-MONTAGEM	PM_PAINEL COMANDO SUPERIOR CONJ. AROMA/2E	UPPER COMMAND PANEL ASS. AROMA/2E	1	48	4.0.025.0085	MOLA FIXADORA PAINEL LAT.	FIXER SPRING	2
4	7.0.007.0105	TORNEIRA AGUA COMPASS	WATER TAP COMPASS	1	49	4.0.025.0090	PERNO FIXAÇÃO PAINEL LAT.	FIXER PIN	4
5		GRUPO ECC-07 C/ ACESSORIOS	ECC-07 GROUP W/ ACESS.	2	50	7.0.033.0073	PAINEL POSTERIOR QUADRANT 2 TC BLACK	REAR PANEL QUADRANT 2 TC BLACK	1
6	4.0.000.0991	RELE ESTÁTICO 25A	25A SOLID STATE RELAY	1	51	7.0.033.0063	PAINEL LATERAL QUADRANT TC BLACK	SIDE PANEL QUADRANT TC BLACK	2
7	4.0.000.0801	PE MAQ. DE CAFE 50X80	FEET FOR COFFE MACHINE 50X80	4	52	7.0.033.0043	CANTO POSTERIOR ESQ. QUADRANT	LEFT REAR SUPPORT QUADRANT	1
8	4.0.000.0840	DEPOSITO ESGOTO PLÁSTICO	DRAIN TRAY	1	53	7.0.033.0138	PAINEL POSTERIOR SUP. QUADRANT 2 BLACK	UPPER REAR PANEL QUADRANT 2 BLACK	1
9	7.0.033.0041	CANTO POSTERIOR DIR. QUADRANT	RIGHT REAR SUPPORT QUADRANT	1	54	7.0.033.0134	PAINEL LATERAL SUP. QUADRANT BLACK	UPPER SIDE PANEL QUADRANT BLACK	2
10	4.0.028.0070	SEPARADOR BLINDAGEM ELECTROV. GRUPOS	SHIELD GROUP SEPARATOR	6	55	4.0.007.0092	CANTO COMPASS BLACK	CORNER COMPASS BLACK	8
11	7.0.007.0207	SUPORTE CONTADOR VOL. COMPASS MB	VOLUMETRIC DOSER SUPPORT	2	56	4.0.007.0005	POSTIÇO 2 CANTO COMPASS	CORNER INSERT 2 COMPASS	7
12	4.0.000.0118	RACORD G3/8-G1/4F NIQ.	G3/8-G1/4F NICKEL RACORD	1	57	4.0.007.0004	POSTIÇO 1 CANTO COMPASS	CORNER INSERT 1 COMPASS	7
13	4.0.000.0109	RACORD L G1/4 TUBO TEFLON Ø6	Ø6 G1/4 TEFLON TUBE L RACORD	1	58	7.0.007.0501	PAINEL FRONTAL INF. COMPASS 2 BLACK	LOWER FRONTAL PANEL COMPASS 2 BLACK	1
14	PRÉ-MONTAGEM	PM_PAINEL FRONTAL CONJ. AROMA/2E	FRONT PANEL AROMA/2E	1	59	7.0.007.0506	PAINEL LATERAL INF. DIR. COMPASS BLACK	LOWER RIGHT SIDE PANEL COMPASS BLACK	1
15	5.0.000.0728	RACORD L G1/8-G1/8F	RACORD L G1/8-G1/8F	1	60	7.0.007.0511	PAINEL LATERAL INF. ESQ. COMPASS BLACK	LOWER LEFT SIDE PANEL COMPASS BLACK	1
16	4.0.000.0190	CAMPANULA DESCARGA GRUPO	OUTER RACORD OF THE DRAINAGE ASSEMBLY	2	61	7.0.007.0516	PAINEL POSTERIOR INF. COMPASS 2 BLACK	LOWER REAR PANEL COMPASS 2 BLACK	1
17	7.0.033.0101	CABO H07RN-F 3G2,5 - 1,8MT CONJ. MAQ. CAFE 2GR	2GR COFFEE MACHINES CABLE H07RN-F 3G2,5 - 1,8MT	1	62	7.0.007.0015	REFORÇO PAINEL POST. INF. COMPASS	REAR PANEL LOWER COMPASS	2
18	4.0.000.0040	PORTA FILTRO ENT. AGUA C/ FILTRO NIPLESS	FILTER HOLDER OF WATER INLET	1	63	7.0.007.0010	REFORÇO PAINEL FRONTAL INF. COMPASS	FRONT PANEL LOWER SUPPORT	2
19	4.2.000.9116	PARAFUSO CAB. OVAL LARGA M5X10 NIQ	SCREW M5X10	6	64	7.0.007.0012	FIXADOR PAINEL FRONTAL INF. / BLOCO COMPASS	FRONT PANEL LOWER FASTENER	1
20	PRÉ-MONTAGEM	CONTADOR VOLUMETRICO CONJ. MÁQ. CAFE 2GR / 3GR	ASS. VOLUMETRIC DOSER PRESTIGE, ATLANTIC 2/3EV ECC	2	65	7.0.007.0011	FIXADOR PAINEL FRONTAL INF. COMPASS	FRONT PANEL LOWER FASTENER	1
21	7.0.016.0065	BLOCO ENTRADA AGUA ECC-07 (AUT.) CONJ.	WATER INLET ASS.	1	66	7.0.033.0035	FIXADOR PAINEL POST. INF. DIR. QUADRANT	RIGHT REAR PANEL LOWER FASTENER	1
22	5.0.000.0912	TUBO LIGAÇÃO BOMBA C/ CURVA 330MM	PUMP CONNECTION W/ ELBOW 330MM	1	67	7.0.033.0037	FIXADOR PAINEL POST. INF. ESQ. QUADRANT	LEFT REAR PANEL LOWER FASTENER	1
23	5.0.000.0809	RESIST. ESCALDA CHAV. 530X230MM 75W 230V	HEATING ELEMENT FOR CUP HEATING	1	68	5.0.000.0947	TUBO INFERIOR CARTUCHO GRUPO 12mm	LOWER TUBE CARTRIDGE/GROUP 12MM	2
24	4.0.000.0954	UNIDADE ELECTRONICA DELUXE GICAR 230V	DELUXE ELECTRONIC UNIT	1	69	7.0.000.0054	TUBO SUP. CART. 1ºGR (DIR.) REVOL.	TUBE CARTRIDGE/GROUP	2
25		CALDEIRA 11LT C/ ACESSORIOS	11LT BOILER W/ ACESS.	1	70	7.0.000.0022	TUBO CAPILAR 1,27X2,5X1000	CAPILLARY TUBE	1
26	4.0.000.0032	APOIO MOTOR	MOTOR SUPPORT	4	71	7.0.000.0042	TUBO CALDEIRA TORN. VAPOR ESQ. ATLANTIC	TUBE BOILER/LEFT STEAM TAP ATLANTIC	1
27	5.0.000.1013	BLINDAGEM CONTADOR VOLUMETRICO	SHIELD VOLUMETRIC DOSER	2	72	7.0.000.0070	TUBO CALDEIRA TORN. VAPOR ESQ. QUADRANT	TUBE BOILER/LEFT STEAM TAP QUADRANT	1
28	4.0.000.0845	RACORD L DEPOSITO ESGOTO PLÁSTICO	ANGLE RACORD	1	73	7.0.000.0065	TUBO BLOCO CALDEIRA	TUBE DISTRIB. GROUP/BOILER	1
29	4.0.000.0818	TUBO ALIMENTAÇÃO C/ CURVA 1500MM	WATER INLET PIPE 1500MM	1	74	7.0.000.0111	TUBO CONT. VOL. INJECTOR ESQ. (2GR/3GR)	TUBE VOL. DOSER/INJECTOR	1
30	4.0.000.0222	TUBO ESGOTO	DRAIN TUBE	1	75	7.0.000.0102	TUBO BLOCO CONT. VOL. 2GR	TUBE DISTRIB. GROUP/VOL. DOSER 2GR	1
31	4.0.007.0207	SAIDA BLINDAGEM FUNDO COMPASS TC	EXIT BOTTOM SHIELD COMPASS TC	1	76	7.0.000.0112	TUBO CONT. VOL. INJECTOR DIR./ CENT. (2GR/3GR)	TUBE VOL. DOSER/INJECTOR	1
32	7.0.007.0125	MOTOR BOMBA CONJ. RPM	PUMP-MOTOR ASS. RPM	1	77	7.0.007.0293	BLINDAGEM FUNDO NV COMPASS 2 TC	BOTTOM SHIELD NV COMPASS 2 TC	1
33	7.0.000.0540	MAGNETICO P/ CART. CIRCUITO GRUPO	MAGNETIC FOR GROUP CIRCUIT	2	78	4.0.000.0372	PASSA FIOS P/ FURO Ø25MM	WIRE PROTECTION	2
34	7.0.033.0033	SUPORTE PAINEL LAT. SUP. ESQ. QUADRANT	LEFT PANEL UPPER FASTENER	1	79	4.0.028.0075	TAPA FURROS Ø13,5MM	COVER Ø13,5MM	1
35	7.0.033.0031	SUPORTE PAINEL LAT. SUP. DIR. QUADRANT	RIGHT PANEL UPPER FASTENER	1	80	4.0.000.0998	FILTRO RC MAQ. CAFE	COFFEE MACHINE RC FILTER	1
36	7.0.007.0081	TABULEIRO INFERIOR COMPASS 2	LOWER TRAY COMPASS 2	1	81	7.0.033.0061	PAINEL LATERAL QUADRANT TC WHITE	SIDE PANEL QUADRANT TC WHITE	2
37	4.0.007.0150	GRELHA TABULEIRO INF. ARAME COMPASS 2	WIRE TRAY GRID COMPASS 2	1	82	4.0.007.0091	CANTO COMPASS WHITE	CORNER COMPASS WHITE	8
38	7.0.033.0025	TABULEIRO SUPERIOR QUADRANT 2	UPPER TRAY QUADRANT 2	1	83	7.0.033.0071	PAINEL POSTERIOR QUADRANT 2 TC WHITE	REAR PANEL QUADRANT 2 TC WHITE	1
39	4.0.033.0001	ACRILICO LATERAL ESQ. QUADRANT	ACRYLIC LEFT SIDE QUADRANT	1	84	7.0.033.0133	PAINEL LATERAL SUP. QUADRANT WHITE	UPPER SIDE PANEL QUADRANT WHITE	2
40	4.0.033.0003	ACRILICO LATERAL DIR. QUADRANT	ACRYLIC RIGHT SIDE QUADRANT	1	85	7.0.033.0137	PAINEL POSTERIOR SUP. QUADRANT 2 WHITE	UPPER REAR PANEL QUADRANT 2 WHITE	1
41	4.0.033.0006	ACRILICO POSTERIOR QUADRANT 2	REAR ACRYLIC QUADRANT 2	1	86	7.0.007.0515	PAINEL POSTERIOR INF. COMPASS 2 WHITE	LOWER REAR PANEL COMPASS 2 WHITE	1
42	4.0.016.5052	SEPARADOR PAINEL LAT. ATLANTIC ECC	SIDE PANEL SEPARATOR ATLANTIC ECC	2	87	7.0.007.0505	PAINEL LATERAL INF. DIR. COMPASS WHITE	LOWER RIGHT SIDE PANEL COMPASS WHITE	1
43	4.0.016.5054	PARAFUSO PAINEL LAT. ATLANTIC ECC	SCREW SIDE PANEL ATLANTIC ECC	2	88	7.0.007.0500	PAINEL FRONTAL INF. COMPASS 2 WHITE	LOWER FRONTAL PANEL COMPASS 2 WHITE	1
44	4.0.016.5057	AUTOCOLANTE PAINEL LAT. NEUTRO	SIDE PANEL STICKER	2	89	7.0.007.0510	PAINEL LATERAL INF. ESQ. COMPASS WHITE	LOWER LEFT SIDE PANEL COMPASS WHITE	1
45	4.0.000.0195	RACORD CAMPANULA DESCARGA GRUPO	INNER RACORD OF THE DRAINAGE ASSEMBLY	2					

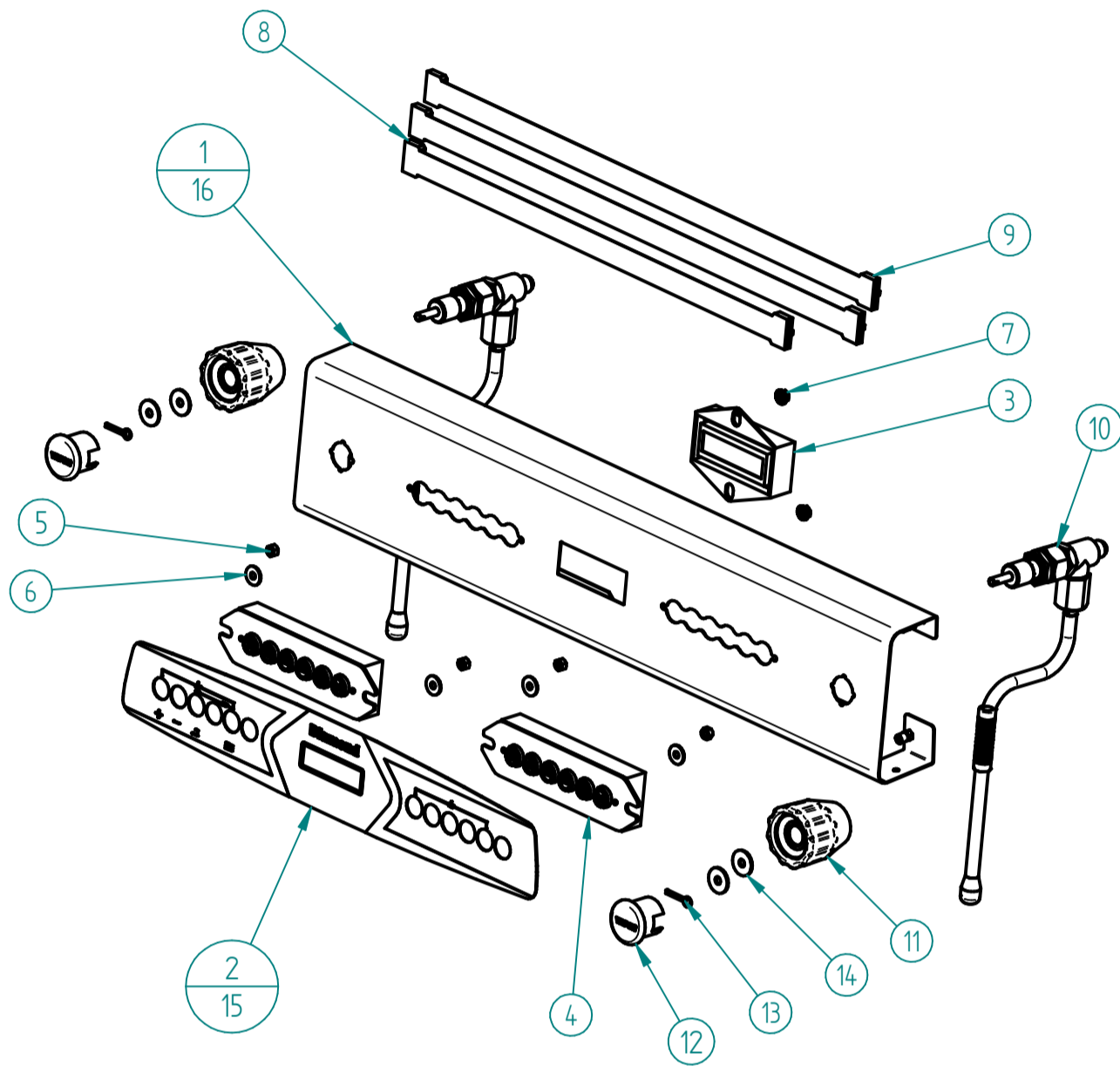
Os elementos deste desenho podem ser alterados sem aviso prévio.  
This drawing may be altered without previous notice.

# MÁQ. CAFÉ AROMA/2EB\_2EW

ESPRESSO COFFEE MACHINE AROMA/2EB\_2EW

## 3 - PAINEL COMANDO SUPERIOR CONJ. AROMA/2EB\_2EW

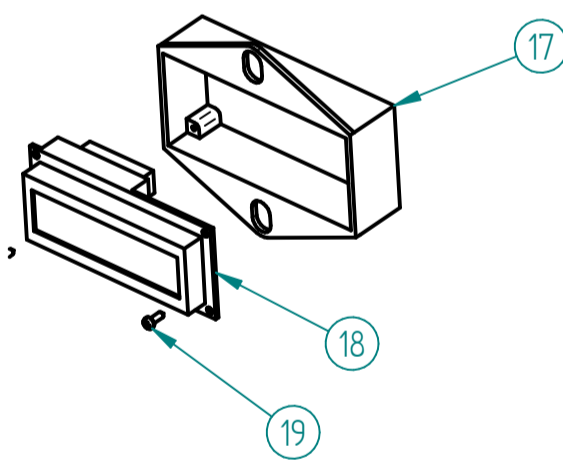
3 - UPPER COMMAND PANEL ASS. AROMA/2EB\_2EW



ITEM Nº	CÓDIGO	DESIGNAÇÃO	DESIGNATION	QUANT.
1	7.0.033.0129	PAINEL COMANDO SUP. QUADRANT 2 DSP WHITE	UPPER CONT. PANEL QUADRANT 2 DSP WHITE	1
2	4.0.033.0072	PAINEL PERS. QUADRANT 2 DSP DIAMOND BLACK	CUSTOM. PANEL QUADRANT 2 DSP DIAMOND BLACK	1
3	7.0.007.0115	DISPLAY LCD 16X2 AZUL CONJ.	BLUE LCD DISPLAY 16X2 ASSEMB.	1
4	7.0.007.0109	TECLADO 6T Ø16 CONJ. COMPASS	Ø16 6T KEYBOARD ASS. COMPASS	2
5	4.2.000.9172	PORCA M5 ZINC. DIN934	M5 NUT ZINC. DIN934	4
6	4.2.000.9164	ANILHA PLANA M5X15 ZINC. DIN9021	ZINC-PLATED M5X15 FLAT RING DIN9021	4
7	4.2.000.9180	PORCA M5 ZINC. C/ RECART. DIN6923	M5 NUT ZINC. DIN6923	2
8	4.0.000.0971	CABO UNIDADE ELECTR. TECLADO 16 PIN 600MM	CABLE FOR ELECTR. UNIT KEYBOARD 16 PIN 600MM	1
9	4.0.000.0972	CABO UNIDADE ELECTR. TECLADO 16 PIN 850MM	CABLE FOR ELECTR. UNIT KEYBOARD 16 PIN 850MM	2
10	7.0.028.1169	TORNEIRA ECC-07 G1/4-G1/8F (CONJ. VAPOR) PACIFIC MB	PACIFIC MB (STEAM GROUP) ECC-07 G1/4-G1/8F TAP	2
11	4.0.028.0023	MANIPULO TORNEIRA ECC-07 STAR	TAP HANDLE STAR	2
12	4.0.016.0031	TAMPAO MAN. TORN. ECC-07 (VAPOR) CROM.	ECC-07 TAP HANDLE CROM. COVER (STEAM)	2
13	4.0.016.0025	GOLPILHA INOX MAN. TORN. ECC-07	TAP ECC-07 LOCKER	2
14	4.0.016.0026	ANILHA LATAO 1,3MM MAN. TORN. ECC-07	MS WASHER 1,3MM	4
15*	7.0.033.0074	PAINEL PERSONALIZADO QUADRANT 2 DSP DIAMOND CROM.	CUSTOM. PANEL QUADRANT 2 DSP DIAMOND CROM.	1
16*	7.0.033.0130	PAINEL COMANDO SUP. QUADRANT 2 DSP BLACK	UPPER CONT. PANEL QUADRANT 2 DSP BLACK	1

## 3 - 7.0.07.0115 - DISPLAY LCD 16X2 AZUL CONJ.

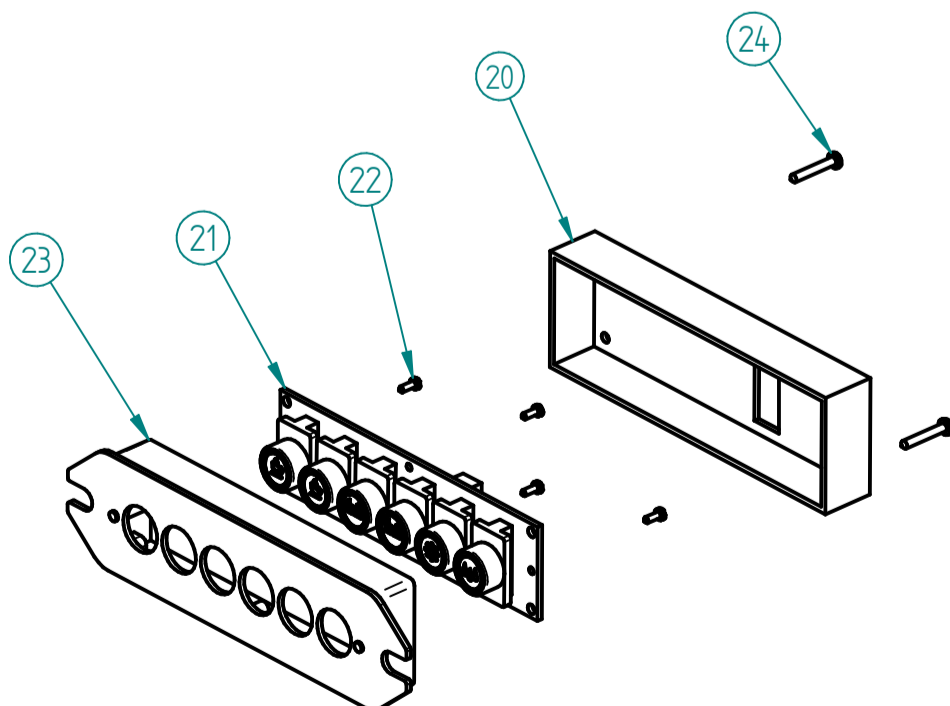
BLUE LCD DISPLAY 16X2 ASSEMB.



ITEM Nº	CÓDIGO	DESIGNAÇÃO	DESIGNATION	QUANT.
17	4.0.007.0115	CAIXA FIXAÇÃO DISPLAY 16X2	DISPLAY SUPPORT BOX 16X2	1
18	4.0.000.0958	DISPLAY LCD 16X2 AZUL	DISPLAY LCD 16X2 BLUE	1
19	4.2.000.9682	PARAFUSO ROSCA CHAPA B2,2X6,5 ZINC. DIN7981	SHEET METAL SCREW B2,2X6,5 ZINC. DIN7981	2

## 4 - 7.0.07.0109 - TECLADO 6T Ø16 CONJ. COMPASS

Ø16 6T KEYBOARD ASS. COMPASS



ITEM Nº	CÓDIGO	DESIGNAÇÃO	DESIGNATION	QUANT.
20	4.0.000.0988	BLINDAGEM TECLADO ILUMINADO 6T	PUSH-BUTTON PANEL 6 BTS Ø16 FIAMMA	1
21	4.0.000.0988	TECLADO ILUMINADO Ø16 6T FIAMMA	PUSH-BUTTON PANEL 6 BTS Ø16 FIAMMA	1
22	4.2.000.9682	PARAFUSO ROSCA CHAPA B2,2X6,5 ZINC. DIN7981	SHEET METAL SCREW B2,2X6,5 ZINC. DIN7981	4
23	4.0.007.0112	CAIXA 6 TECLAS REDONDAS	6 ROUND BUTTONS BOX	1
24	4.2.000.9684	PARAFUSO ROSCA CHAPA B2,9X19 ZINC. DIN7981	SHEET METAL SCREW B2,9X19 ZINC. DIN7981	2

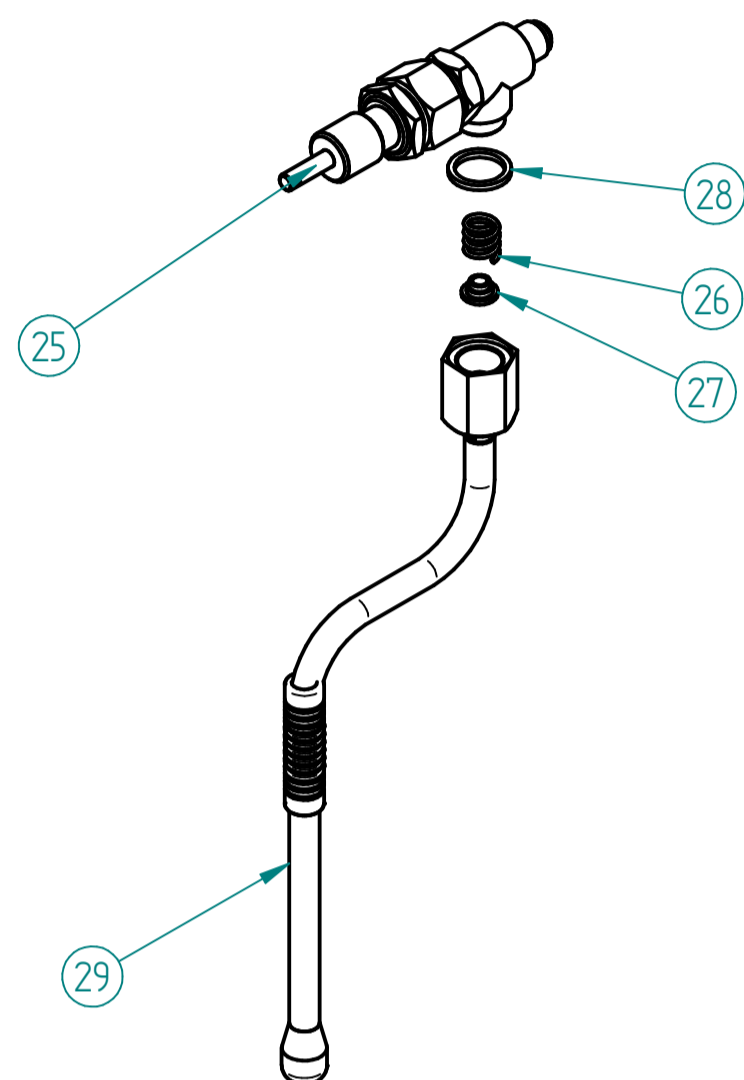
Os elementos deste desenho podem ser alterados sem aviso prévio.  
This drawing may be altered without previous notice.

## MÁQ. CAFÉ AROMA/2EB\_2EW

ESPRESSO COFFEE MACHINE AROMA/2EB\_2EW

10 - 7.0.028.1169 - TORNEIRA ECC-07 G1/4-G1/8F (CONJ. VAPOR) PACIFIC MB

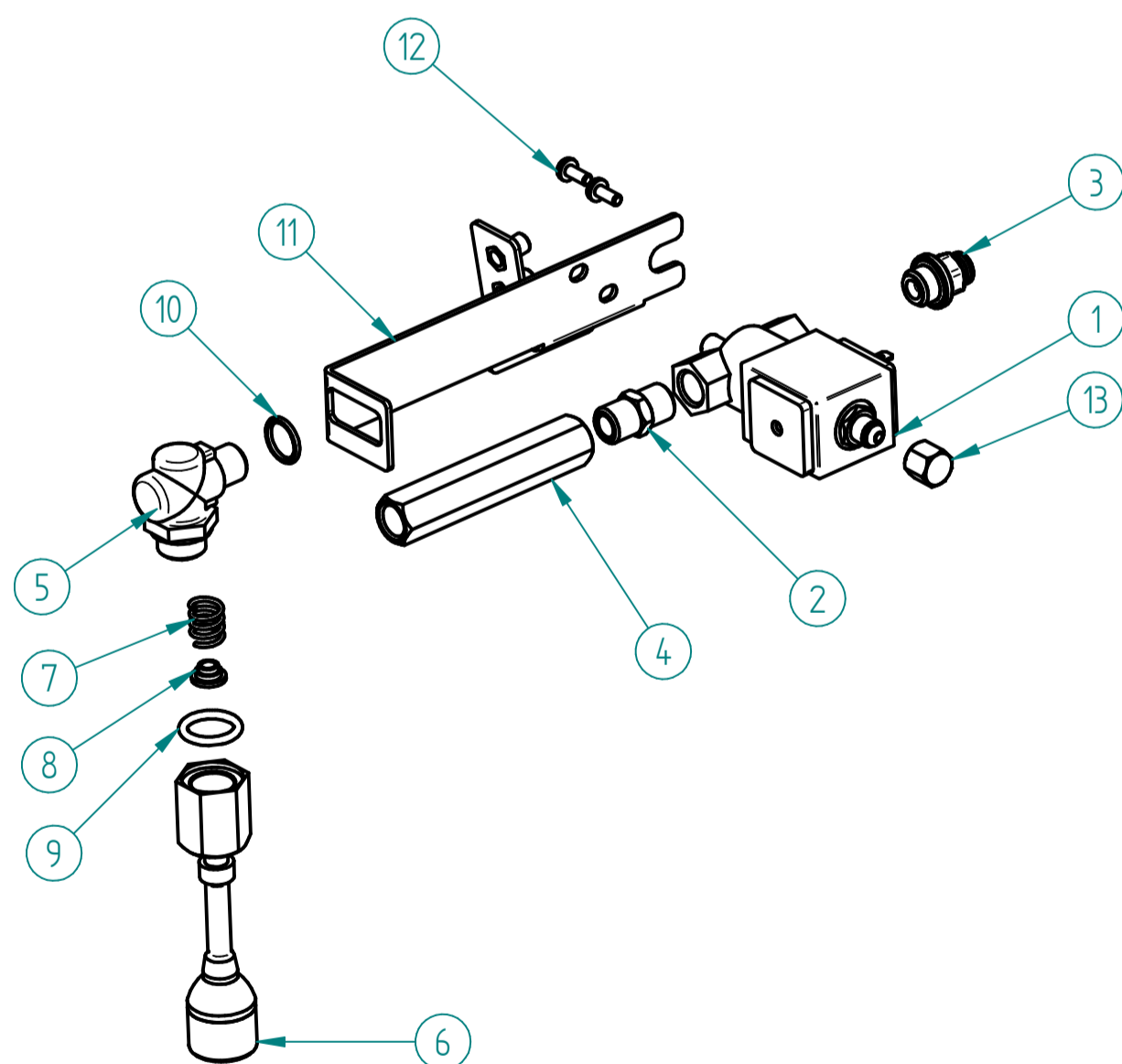
PACIFIC MB (STEAM GROUP) ECC-07 G1/4-G1/8F TAP



ITEM Nº	CÓDIGO	DESIGNAÇÃO	DESIGNATION	QUANT.
25	5.0.016.0350	TORNEIRA ECC-07 G1/4-G1/8F	TAP ECC-07	1
26	5.0.025.7060	MOLA TUBO AGUA/VAPOR TORN. EVOL.	SPRING TAP	1
27	5.0.025.6508	GUIA MOLA TUBO AGUA/VAPOR TORN. EVOL.	GUIDE BUSH	1
28	5.0.025.1386	JUNTA TEFLON 21X16,8X2	TEFLON GASKET	1
29	5.0.028.0320	TUBO TORNEIRA VAPOR PACIFIC (CONJ.)	PACIFIC STEAM TAP TUBE (GROUP)	1

4 - 7.0.007.0105 - TORNEIRA AGUA COMPASS

4 - WATER TAP COMPASS



ITEM Nº	CÓDIGO	DESIGNAÇÃO	DESIGNATION	QUANT.
1	5.0.000.0120	ELECTROVALVULA 3 VIAS 220-240V /50HZ-G1/4F-G1/4F-G1/8	220-240V 3 WAY ELECTROVALVE	1
2	4.0.000.0117	RACORD G1/4 - G1/4 NIQ.	G1/4-G1/4 NICKEL RACORD	1
3	4.0.000.0099	RACORD G1/4 TUBO ø6	FITTING G1/4 - ø6 PIPE	1
4	4.0.028.0018	RACORD SAIDA ELECT. 3 VIAS 230V MIST.	3 WAY 230V SOLENOID EXIT RACORD	1
5	4.0.028.0030	RACORD L G1/4-G3/8 - TUBO TORN. AGUA	KNEE G1/4-G3/8 - WATER TAP TUBE	1
6	5.0.016.0330	TUBO TORNEIRA AGUA ATLANTIC (CONJ.)	WATER TAP TUBE ASS.	1
7	5.0.025.7060	MOLA TUBO AGUA/VAPOR TORN. EVOL.	SPRING TAP	1
8	5.0.025.6508	GUIA MOLA TUBO AGUA/VAPOR TORN. EVOL.	GUIDE BUSH	1
9	4.0.000.0012	ANILHA 16x22MM (G3/8) COBRE	GASKET G3/8 CU	1
10	4.0.000.0013	ANILHA 13x17MM (G1/4) COBRE	GASKET G1/4 CU	1
11	7.0.007.0059	SUPORTE TORNEIRA AGUA COMPASS	SUPPORT WATER TAP COMPASS	1
12	4.2.000.9125	PARAFUSO CAB. PH M4X10 ZINC. C/ RECAR.	M4X10 ZINC. PH HEAD SREW	2
13	4.0.000.0150	TAMPAO G1/8F LATAO	BRASS COVER G1/8F	1

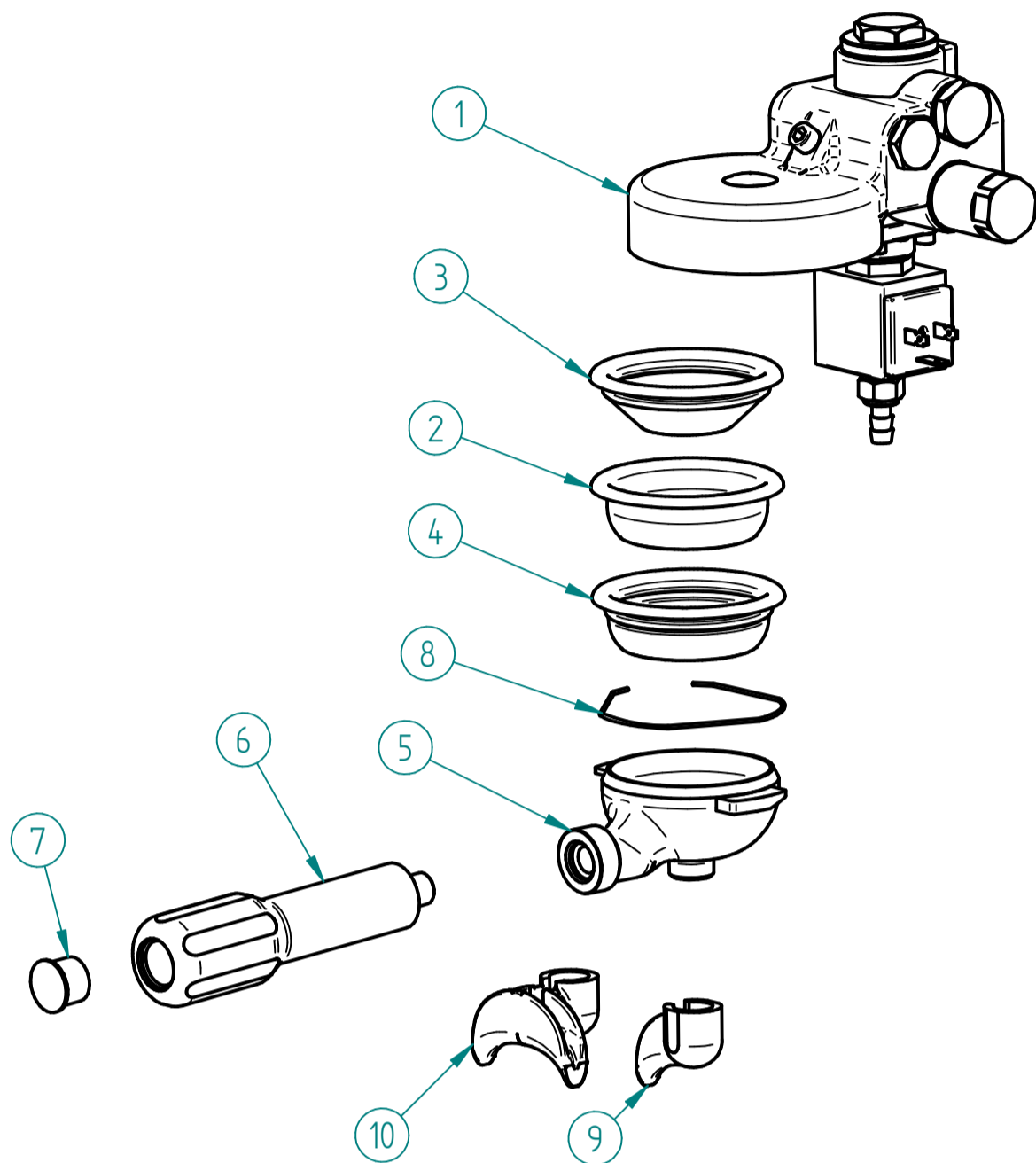


# MÁQ. CAFÉ AROMA/2EB\_2EW

ESPRESSO COFFEE MACHINE AROMA/2EB\_2EW

## 5 - GRUPO ECC-07 C/ ACESSORIOS

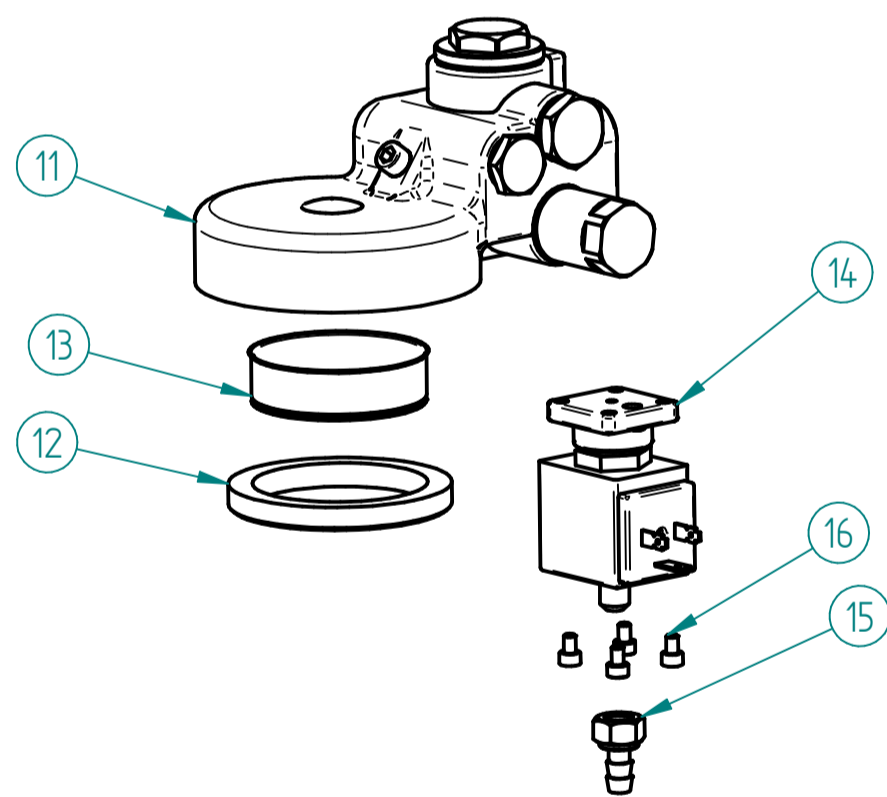
5 - ECC-07 GROUP W/ ACCESS.



1 - 7.0.016.0080 - GRUPO ECC-07 CONJ.  
1 - GROUP ECC-07 ASS.

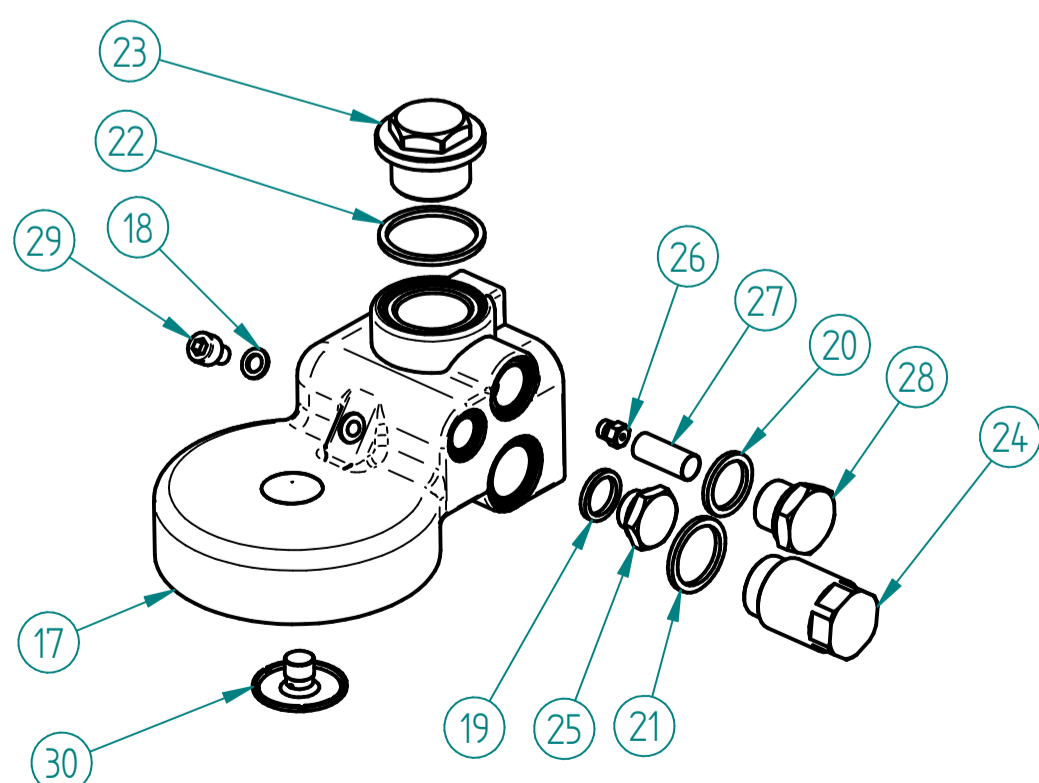
ITEM Nº	CÓDIGO	DESIGNAÇÃO	DESIGNATION	QUANT.
1	7.0.016.0080	GRUPO ECC-07 CONJ.	ECC-07 GROUP ASS.	1
2	5.0.000.0167	FILTRO CEGO	BLIND FILTER	1
3	5.0.000.0162	FILTRO 1 BICA 6GR NV	6GR 1 CUP FILTER	1
4	5.0.000.0173	FILTRO 2 BICAS 12 GR	2 COFFEES FILTER 12 GR	1
5	5.0.000.0657	PORTA FILTRO INCLIN. - FIX. 6 MM	FILTER HOLDER	1
6	5.0.000.0655	PUNHO PORTA FILTRO INCLIN.	HANDGRIP FOR FILTER HOLDER	1
7	5.0.000.0654	TAMPA PUNHO PORTA FILTRO INCLIN.	PLUG FOR HANDGRIP	1
8	5.0.000.0411	MOLA PORTA FILTRO 1,2MM	FILTER HOLDER SPRING	1
9	5.0.000.0104	DISTRIBUIDOR 1 BICA CURVO	1 COFFEE SPECIAL OUTLET	1
10	5.0.000.0106	DISTRIBUIDOR 2 BICAS	2 COFFEES OUTLET	1

CÓDIGO	DESIGNAÇÃO	DESIGNATION
5.0.000.0651	PORTA FILTRO M12 INCLIN. CONJ. - 1 BICA	1 COFFEE FILTER HOLDER ASS.
5.0.000.0652	PORTA FILTRO M12 INCLIN. CONJ. - 2 BICAS	2 COFFEE FILTER HOLDER ASS.
5.0.000.0668	PORTA FILTRO M12 INCLIN. CONJ. - CAPSULAS	CAPSULES FILTER HOLDER ASS.



11 - 4.0.016.0000 - GRUPO ECC-07  
11 - GROUP ECC-07

ITEM Nº	CÓDIGO	DESIGNAÇÃO	DESIGNATION	QUANT.
11	4.0.016.0000	GRUPO ECC-07	GROUP ECC-07	1
12	5.0.025.0012	JUNTA PORTA FILTRO 58X74X8,5MM (GR B-61/ECC-07)	FILTER HOLDER GASKET	1
13	5.0.025.0010	CRIVO GRUPO B-61/ECC-07	GROUP B-61 SIEVE	1
14	5.0.000.0123	ELECTROVALVULA 3 VIAS 230V - GRUPO	230V 3 WAY ELECTROVALVE GROUP	1
15	4.0.000.0198	RACORD DESCARGA ELECTROVALVULA	ELECTROVALVE DRAINAGE RACCORD	1
16	4.2.000.9606	PARAF. UMBRACO M4X6 INOX DIN912	M4X6 INOX DIN912 UMBRACO SCREW	4



ITEM Nº	CODIGO	DESIGNAÇÃO	DESIGNATION	QUANT.
17	5.0.016.0100	CORPO GRUPO ECC-07	BODY OF THE GROUP ECC-07	1
18	5.0.025.0015	JUNTA TEFLON 10X6X1	TEFLON GASKET	1
19	5.0.000.0315	JUNTA TEFLON 18X13,5X2MM	TEFLON GASKET	1
20	5.0.025.0022	JUNTA TEFLON 22X17X2	TEFLON GASKET	1
21	5.0.016.0106	JUNTA TEFLON 26X 21X2	TEFLON GASKET	1
22	5.0.025.0002	JUNTA TEFLON 35X30X2	TEFLON GASKET	1
23	5.0.016.0102	TAMPAO SUPERIOR M26X1,5 CROM. GR ECC-07	UPPER CHROM. COVER M26X1,5 (GR ECC-07)	1
24	5.0.016.0105	INFUSOR GRUPO ECC-07	INFUSER OF GROUP ECC-07	1
25	5.0.016.0104	TAMPAO LATERAL G1/4 CROM. GR ECC-07	CHROM. SIDE COVER G1/4 (GR ECC-07)	1
26	5.0.016.0110	INJECTOR 0.7 M6X0,75 (GR ECC-07)	INJECTOR 0,7 M6X0,75 (GR ECC-07)	1
27	5.0.025.0023	FITRO INOX INJECTOR	GROUP GIGLEUR FILTER	1
28	5.0.025.0021	TAMPAO G3/8 CROM. (GR B-61/GR EC-07)	CHROM. COVER G3/8 (GR B-61/GR ECC-07)	1
29	5.0.025.0003	PARAFUSO UMBRACO M6X10 INOX (GR B-61/ECC-07)	FRONT INOX SCREW M6X10 OF THE GROUP B-61	1
30	5.0.025.0009	DISTRIBUIDOR GRUPO B-61/ECC-07	OUTLET GROUP B-61/ECC-07	1

Os elementos deste desenho podem ser alterados sem aviso prévio.  
This drawing may be altered without previous notice.

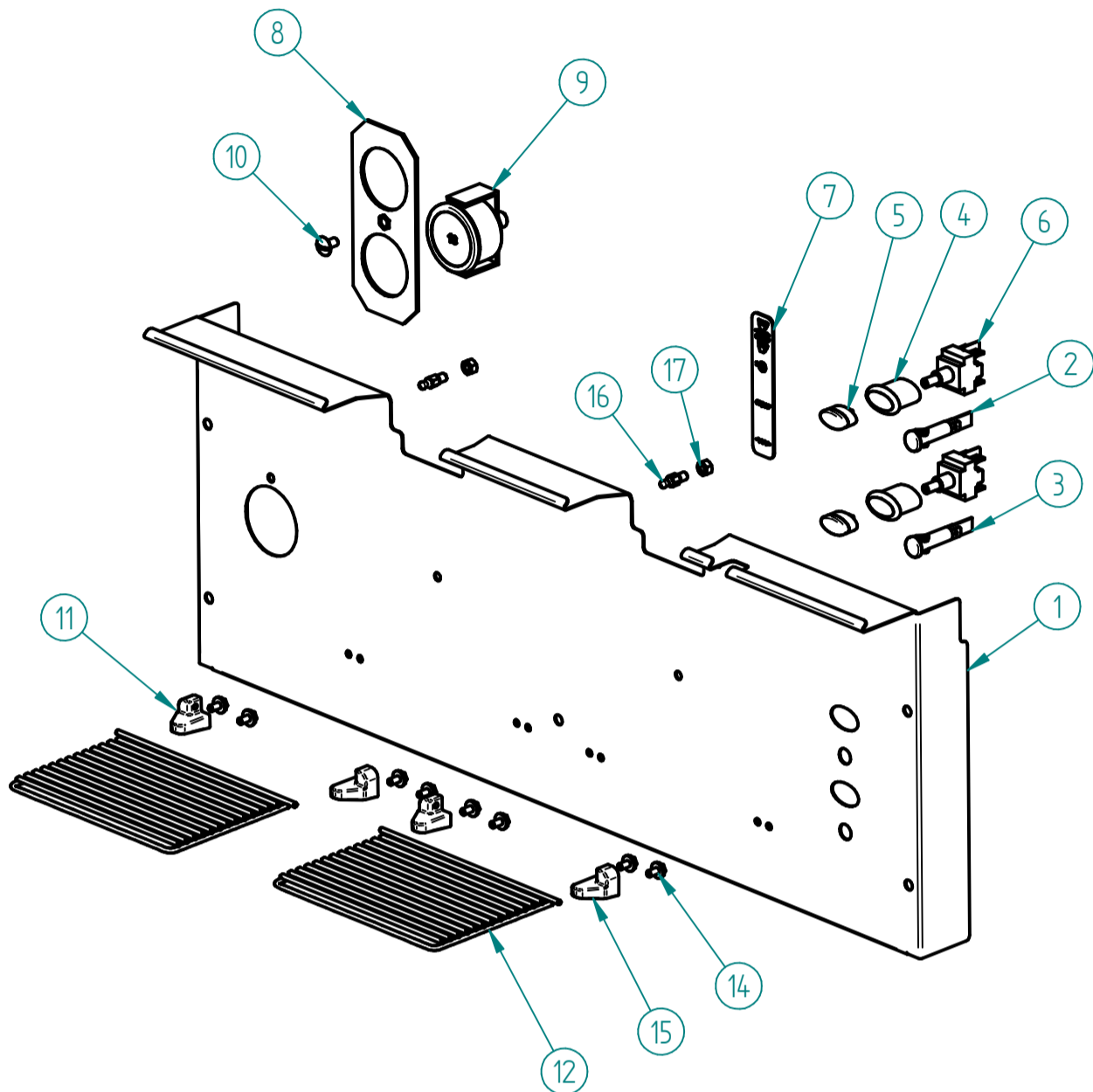


## MÁQ. CAFÉ AROMA/2EB\_2EW

ESPRESSO COFFEE MACHINE AROMA/2EB\_2EW

### 14 - PAINEL FRONTAL CONJ. AROMA/2E

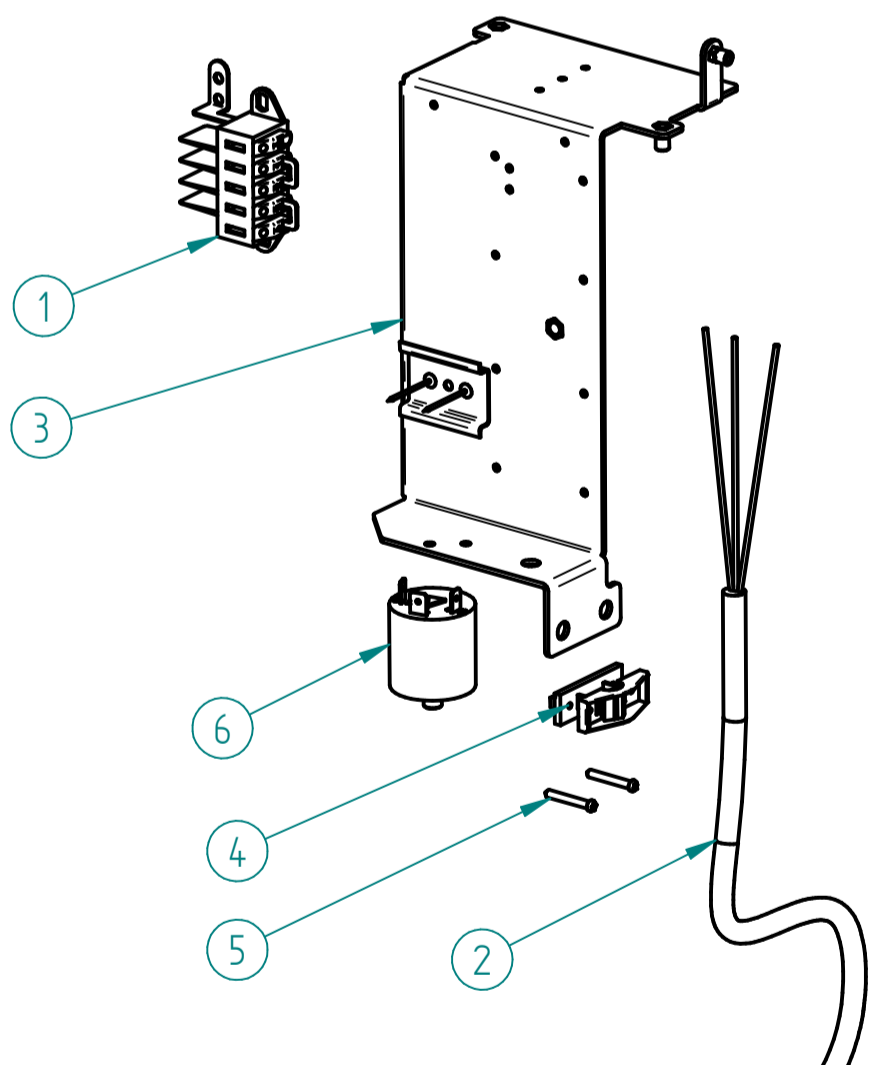
14 - FRONT PANEL AROMA/2E



ITEM Nº	CÓDIGO	DESIGNAÇÃO	DESIGNATION	QUANT.
1	7.0.033.0024	PAINEL FRONTAL GRELHA ARAME QUADRANT 2 DSP TC	FRONT PANEL QUADRANT 2 DSP TC	1
2	4.0.025.0130	SINALIZADOR VERDE Ø10MM TERM. MACHO	GREEN LED Ø10MM	1
3	4.0.025.0135	SINALIZADOR LARANJA Ø10MM TERM. MACHO	ORANGE LED Ø10MM	1
4	4.0.000.0503	CAIXA ELIPSE D16	BOX D16 ELIPSE	2
5	4.0.000.0507	TASTO ELIPSE D16	SWITCH KEY D16	2
6	4.0.000.0513	INTERRUPTOR BIPOLAR E0070	TWO POLES SWITCH E0070	2
7	4.0.007.0064	AUTOCOLANTE INTERRUPTOR GERAL COMPASS	COMPASS MAIN SWITCH DECAL	1
8	7.0.016.0204	SUPORTE MANÔMETROS ATLANTIC	ATLANTIC GAUGE SUPPORT	1
9	5.0.000.0394	MANOMETRO 0-16BAR NEUTRO	PRESSURE GAUGE 0-16BAR	1
10	4.2.000.9116	PARAFUSO CAB. OVAL LARGA M5X10 NIQ	SCREW M5X10	1
11	4.0.016.7018	SUPORTE ESQUERDO GRELHA CHAVENAS ARAME	WIRE CUP LEFT SUPPORT	2
12	4.0.016.7015	GRELHA CHAVENAS ARAME CARAVEL/COMPASS/QUADRANT	WIRE COFFEE TRAY GRID	2
14	4.2.000.9126	PARAFUSO ROSCA PLASTICO K40X8 ZINC.	SCREW K40X8	8
15	4.0.016.7017	SUPORTE DIREITO GRELHA CHAVENAS ARAME	WIRE CUP RIGHT SUPPORT	2
16	4.0.016.7020	FIXADOR GRELHA CHAVENAS ARAME	FIXER PIN	2
17	4.2.000.9172	PORCA M5 ZINC. DIN934	M5 NUT ZINC. DIN934	2

### 17 - 7.0.033.0101 - CABO H07RN-F 3G2,5-1,8MT CONJ. MÁQ. CAFÉ 2GR

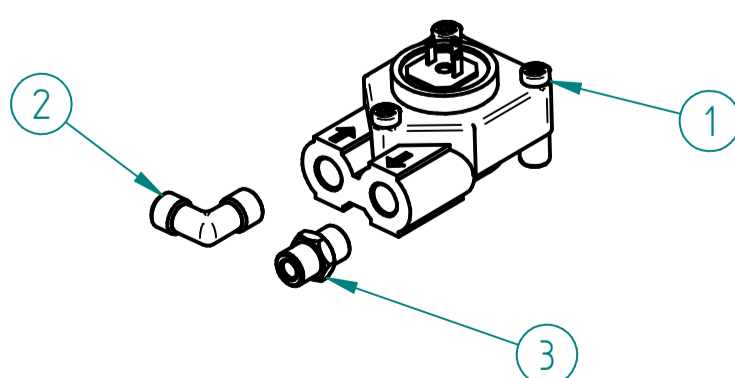
17 - CABLE H07RN-F 3G2,5-1,8MT ASSEMB. 2GR



ITEM Nº	CÓDIGO	DESIGNAÇÃO	DESIGNATION	QUANT.
1	4.0.028.0015	LIGADOR RÁPIDO 5 POLOS	FAST LINKER	1
2	4.0.125.0010	CABO H07 RN-F 3G2,5	CABLE H07RN-F 3G2,5	1
3	7.0.033.0051	SUPORTE LIGADOR QUADRANT	QUADRANT CONNECTOR SUPPORT	1
4	4.0.000.0496	CERRA CABOS PA 268	CABLE FASTENER PA 268	1
5	4.2.000.9129	PARAFUSO ROSCA PLASTICO KB3,5X25 ZINC.	SCREW KB3,5X25	2
6	4.0.000.0997	FILTRO EMC MÁQ. CAFÉ	EMC FILTER COFFEE MACHINE	1

### 20 - CONTADOR VOLUMETRICO CONJ. MÁQ. 2GR / 3GR

20 - ASS. VOLUMETRIC DOSER COFFEE MACHINES 2GR / 3GR



ITEM Nº	CÓDIGO	DESIGNAÇÃO	DESIGNATION	QUANT.
1	5.0.000.1012	CONTADOR VOLUMETRICO D1,15-G1/8 C/ LED	VOLUMETRIC DOSER D1,15-G1/8 W/ LED	1
2	5.0.000.0730	RACORD L G1/8-G1/8	RACORD L G1/8-G1/8	1
3	5.0.000.0725	RACORD G1/8-G1/8 NIQ.	RACORD G1/8-G1/8 NIQ.	1

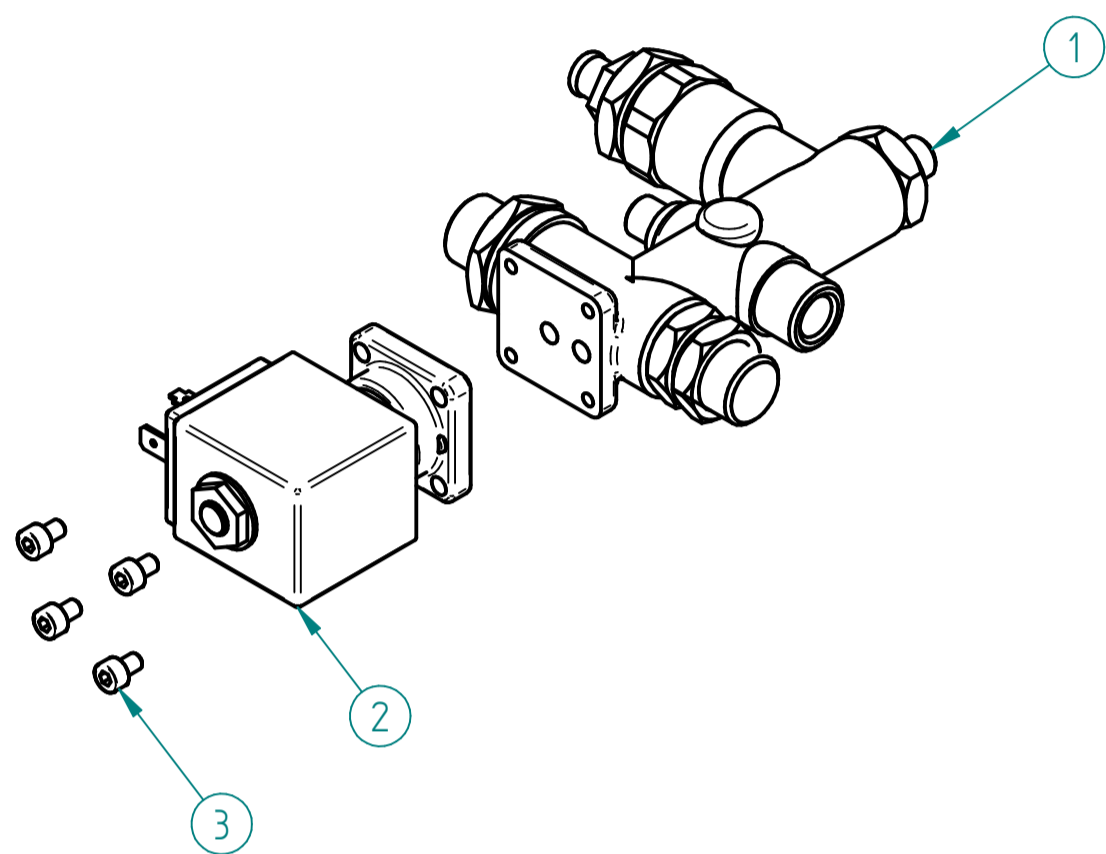
Os elementos deste desenho podem ser alterados sem aviso prévio.  
This drawing may be altered without previous notice.

# MÁQ. CAFÉ AROMA/2EB\_2EW

**ESPRESSO COFFEE MACHINE AROMA/2EB\_2EW**

21 - 7.0.016.0065 - BLOCO ENTRADA AGUA ECC-07 (AUT.) CONJ.

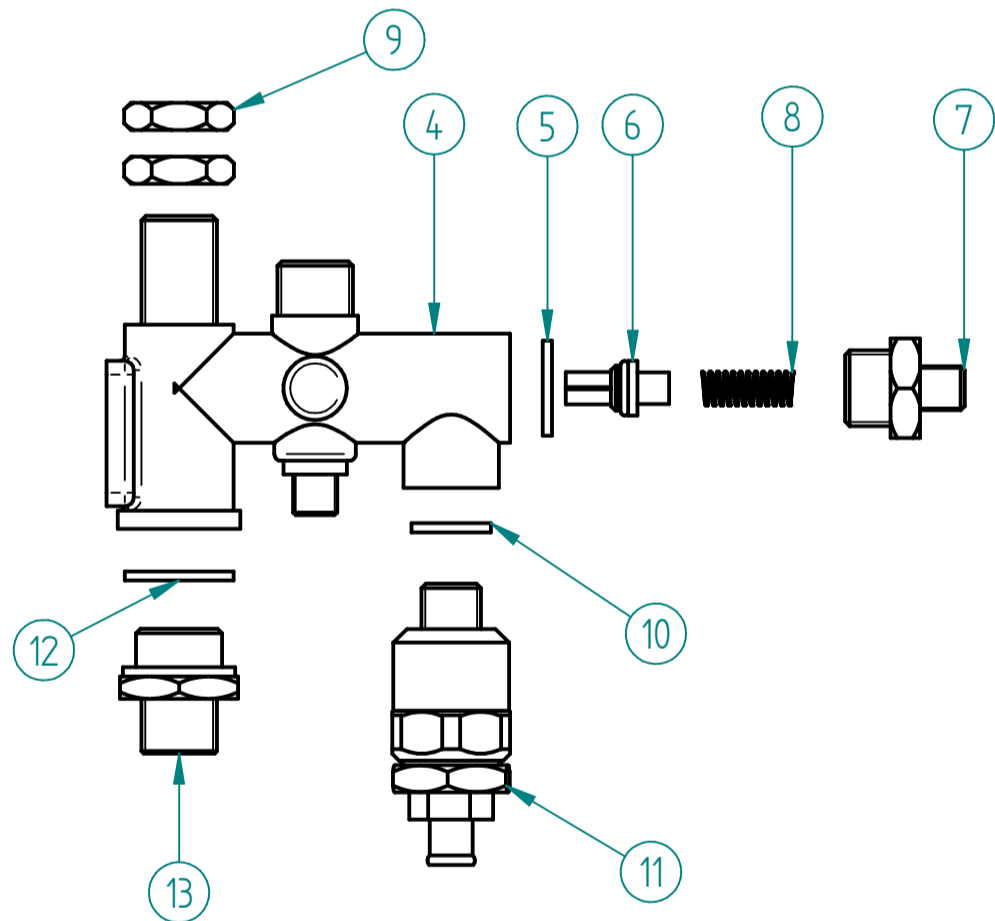
21 - WATER INLET ASS.



ITEM N°	CÓDIGO	DESIGNAÇÃO	DESIGNATION	QUANT.
1	4.0.016.0010	BLOCO ENTRADA AGUA ECC-07 (AUT.)	WATER INLET ASS.	1
2	5.0.000.0124	ELECTROVAL. 2 VIAS 230V/50HZ-ENT. AGUA PARAL.	2 WAYS ELECTROVALVE	1
3	4.2.000.9606	PARAF. UMBRACO M4X6 INOX DIN912	M4X6 INOX DIN912 UMBRACO SCREW	4

1 - 4.0.016.0010 - BLOCO ENTRADA AGUA ECC-07 (AUT.)

1 - WATER INLET ASS.



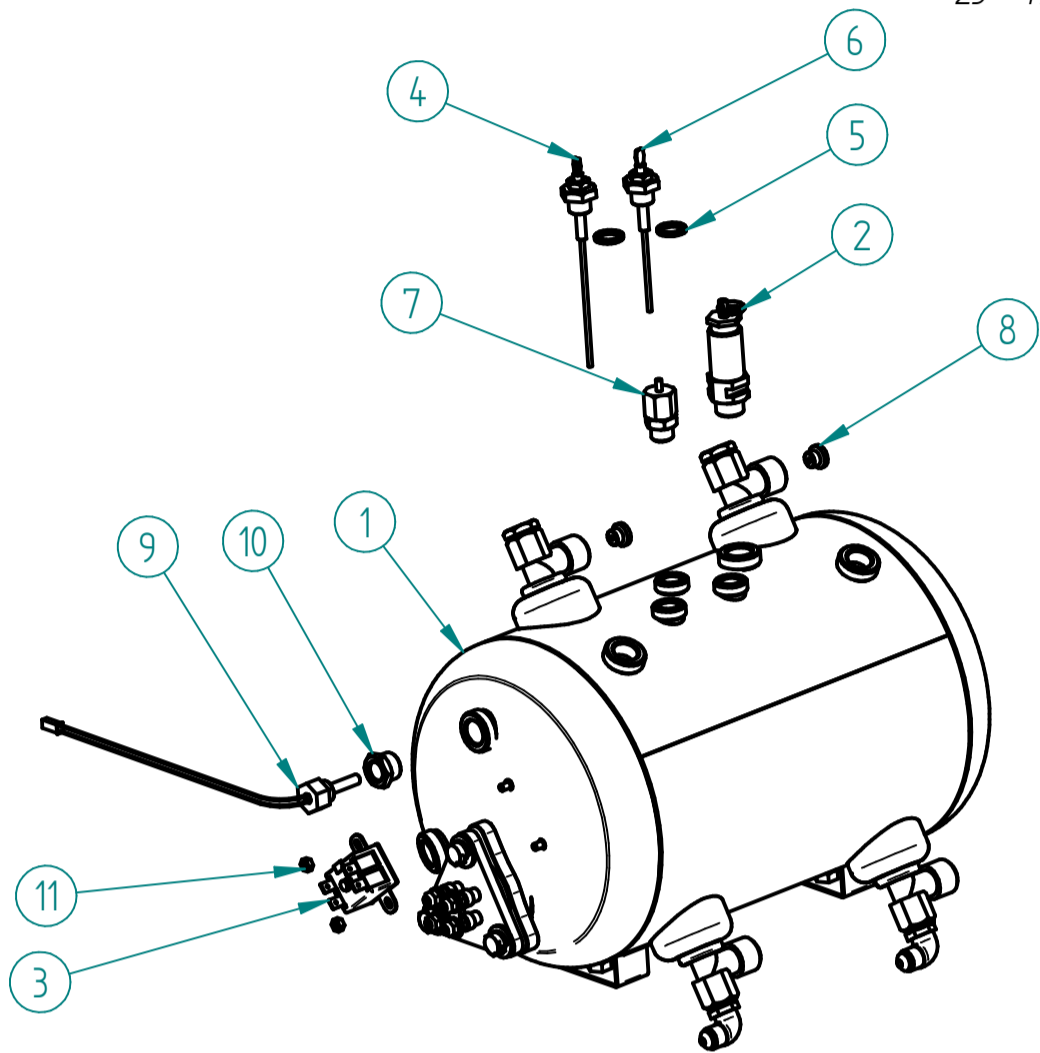
ITEM N°	CODIGO	DESIGNAÇÃO	DESIGNATION	QUANT.
4	5.0.016.0200	CORPO BLOCO AUT. ECC-07	DISTRIBUTION GROUP BODY (AUT. ECC-07)	1
5	5.0.025.1386	JUNTA TEFLON 21X16,8X2	TEFLON GASKET	1
6	5.0.016.0231	VALVULA ANTI-RETORNO BLOCO ECC-07	ANTI-BACKFLOW VALVE	1
7	5.0.016.0235	RACORD G3-8 x G1-8 BLOCO ECC-07	RACORD G3/8XG1/8 (DISTRIB. GROUP ECC-07)	1
8	5.0.016.0234	MOLA VALVULA ANTI-RETORNO BLOCO ECC-07	ANTI-BACKFLOW VALVE SPRING	1
9	4.0.000.0045	PORCA G3/8 LATAO (SEXT. 21MM)	BRASS NUT G3/8 (21MM)	2
10	5.0.000.0315	JUNTA TEFLON 18X13,5X2MM	TEFLON GASKET	1
11	5.0.016.0220	VALVULA EXPANSAO BLOCO ECC-07	EXPANSION VALVE (DISTRIB. GROUP ECC-07)	1
12	5.0.016.0211	JUNTA TEFLON 24X19X2	TEFLON GASKET	1
13	5.0.016.0215	RACORD M20x1,5-G3/8 BLOCO ECC-07	RACORD M20X1,5-G3/8	1

## MÁQ. CAFÉ AROMA/2EB\_2EW

ESPRESSO COFFEE MACHINE AROMA/2EB\_2EW

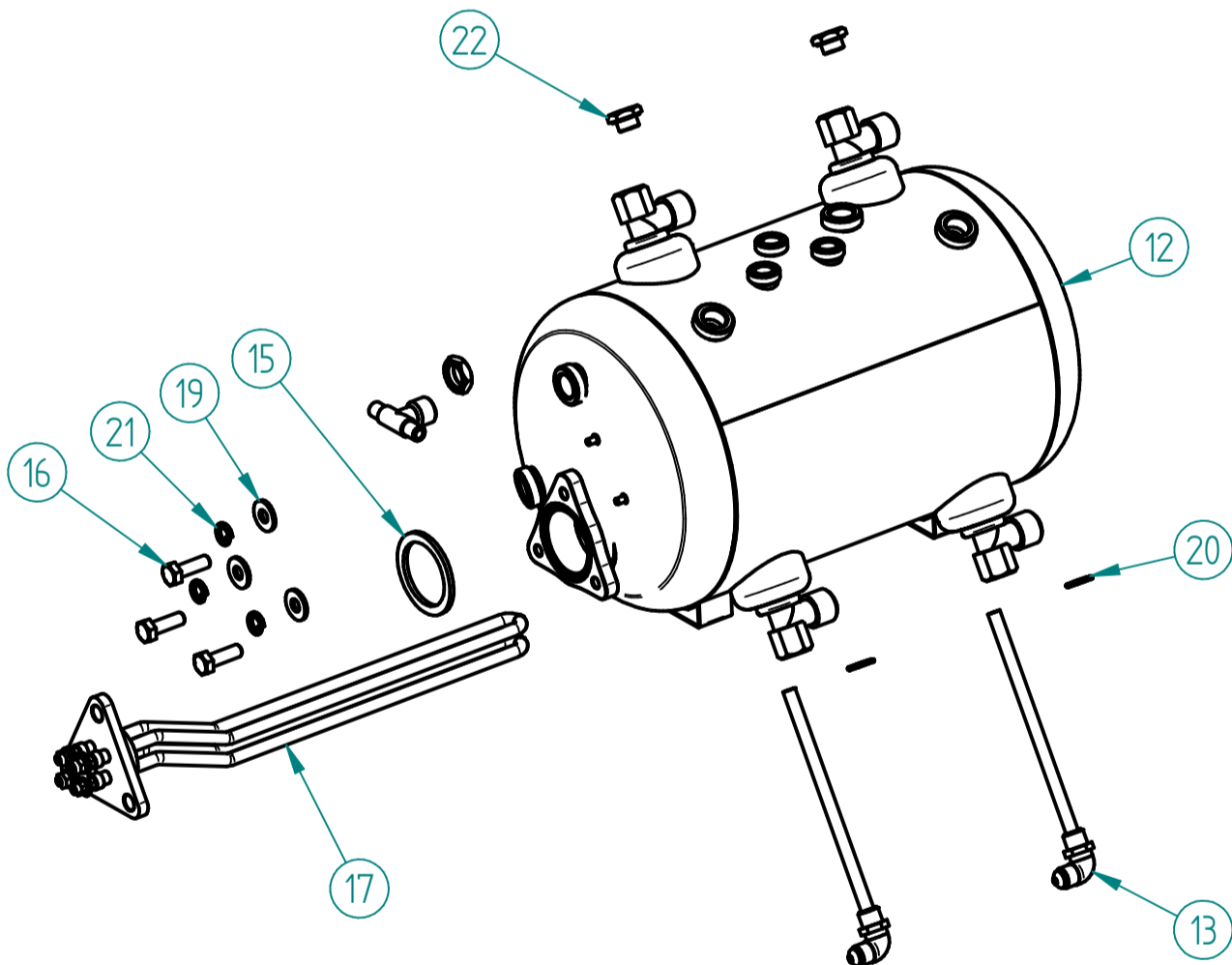
### 25 - CALDEIRA 11 LT C/ ACESSORIOS

25 - 11 LT BOILER W/ ACESS



ITEM Nº	CÓDIGO	DESIGNAÇÃO	DESIGNATION	QUANT.
1	7.0.000.0533	CALDEIRA 2 GR 11 LT C/ ACESSORIOS	2 GROUP 11LT BOILER W/ ACESS.	1
2	4.0.000.0051	VALVULA SEGURANÇA CALDEIRA	BOILER SECURITY VALVE	1
3	4.0.000.0250	TERMOSTATO SEGURANÇA 130°	SAFETY THERMOSTAT 130°	1
4	7.0.025.0002	SONDA Ø2,5X135MM CONJ.	Ø2,5X135MM PROBE ASS.	1
5	5.0.000.0315	JUNTA TEFLON 18X13,5X2MM	TEFLON GASKET	2
6	7.0.016.0070	SONDA Ø2,5X105MM CONJ.	Ø2,5X105MM PROBE ASS.	1
7	5.0.000.1002	VALVULA ANTI-VACUO	ANTI VACUUM VALVE	1
8	5.0.000.0748	REDUTOR CAUDAL 2,5MM	FLOW REDUCER 2,5MM	2
9	4.0.000.0941	SONDA TEMPERATURA G1/4-280MM	TEMPERATURE PROBE G1/4-280MM	1
10	4.0.000.0118	RACORD G3/8-G1/4F NIQ.	G3/8-G1/4F NICKEL RACORD	1
11	4.2.000.9184	PORCA M4 LATAO DIN934	BRASS M4 NUT DIN934	2

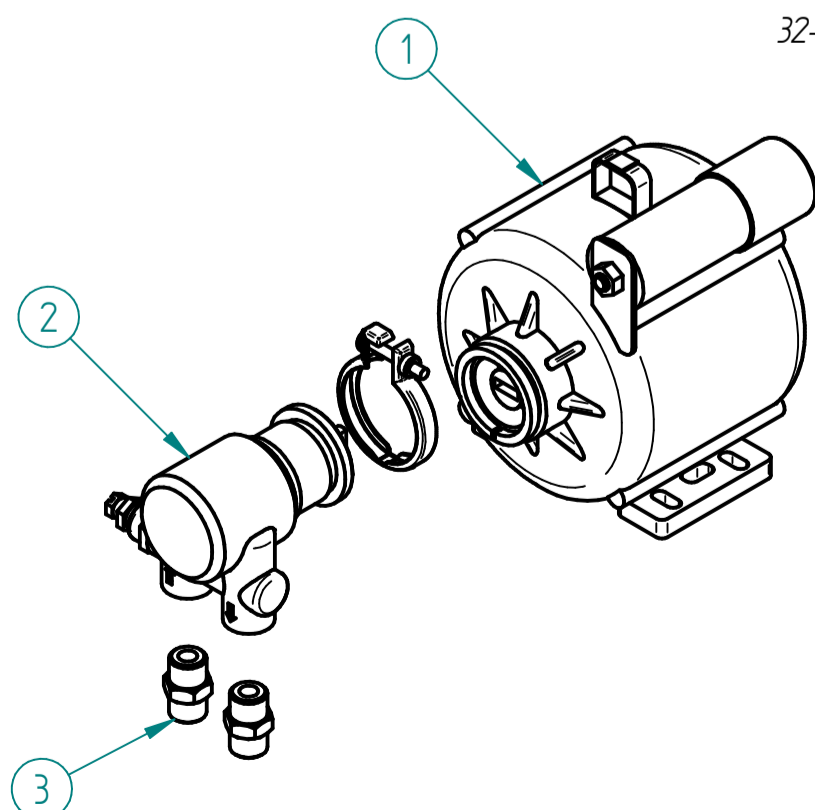
1 - 7.0.000.0533 - CALDEIRA 2GR 11 LT C/ ACESS.  
1 - 2 GROUP 11 LT BOILER W/ ACESS.



ITEM Nº	CÓDIGO	DESIGNAÇÃO	DESIGNATION	QUANT.
12	7.0.000.0547	CALDEIRA 2GR 11LT (RACORD SOLDJ)	2 GROUP 11LT BOILER	1
13	7.0.000.0120	RACORD INJECTOR C/ TUBO	INJECTION RACORD W/ TUBE	2
15	5.0.000.0307	JUNTA RESISTENCIA REDONDA	HEATING ELEMENT GASKET	1
16	4.2.000.9086	PARAFUSO CAB. SEXT. M8X25 ZINC. DIN933	SCREW M8X25	3
17	5.0.000.0802	RESISTENCIA FLANGE TRIANG. 3500W 2GR	TRIANGULAR HEATING ELEMENT (3500 W)	1
19	7.2.000.0015	ANILHA PLANA 2X20X8,5 ZINC.	FLAT RING 2X20X8.5	3
20	4.0.000.0013	ANILHA 13x17MM (G1/4) COBRE	GASKET G1/4 CU	2
21	4.2.000.9147	ANILHA MOLA M8 ZINC. DIN127B	M8 SPRING WASHER	3
22	4.0.000.0151	TAMPAO G1/4 LATAO	BRASS COVER G1/4	2

### 32 - 7.0.007.0125 - MOTOR BOMBA CONJ. RPM

32- PUMP-MOTOR ASS. RPM



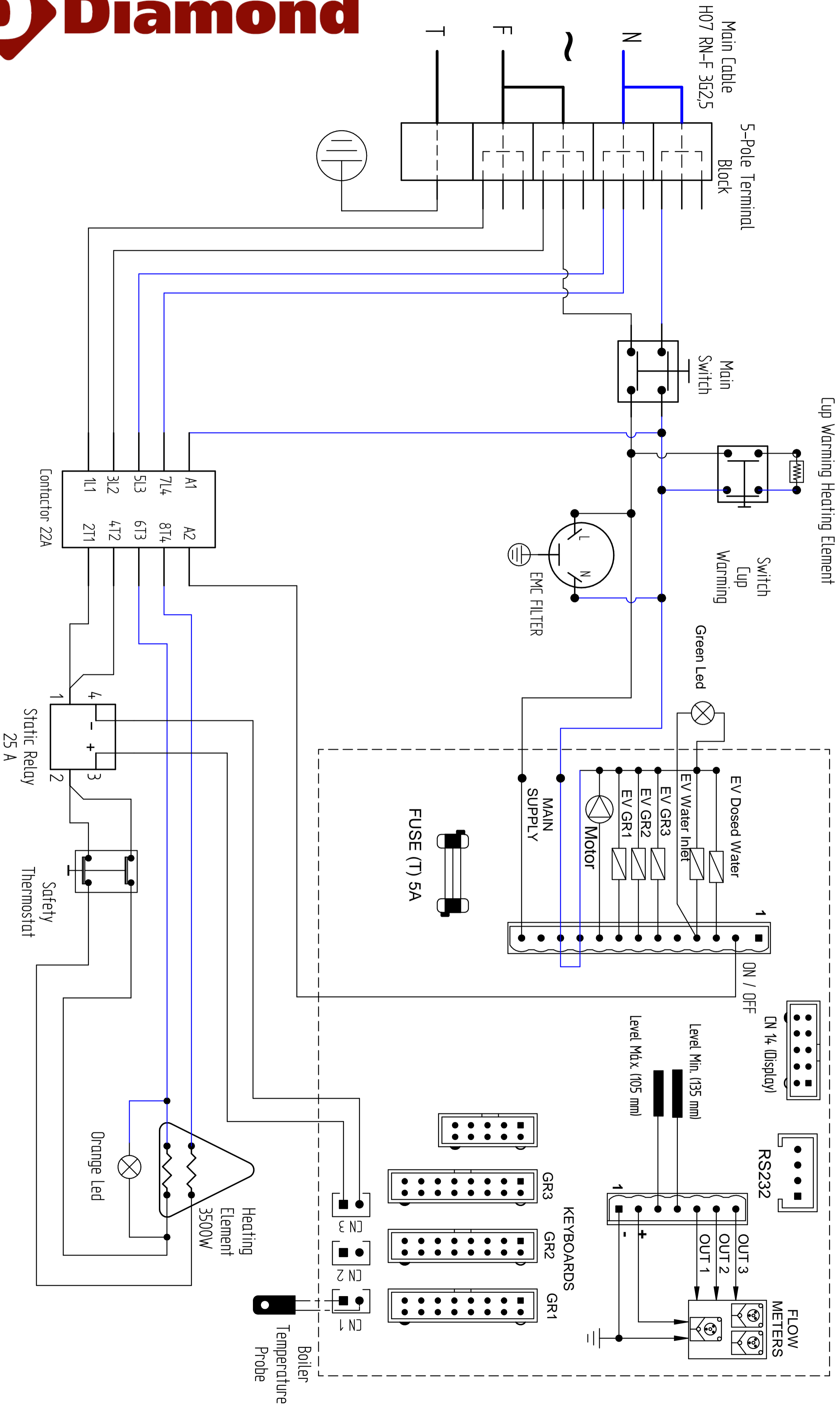
ITEM Nº	CÓDIGO	DESIGNAÇÃO	DESIGNATION	QUANT.
1	5.0.000.0464	MOTOR RPM 230V/50HZ	MOTOR RPM 230V 50HZ	1
2	5.0.000.0040	BOMBA AGUA	WATER PUMP	1
3	4.0.000.0115	RACORD G3/8-G3/8 (BOMBA)	PUMP'S METAL SLEEVE	2

Os elementos deste desenho podem ser alterados sem aviso prévio.  
This drawing may be altered without previous notice.



ESQUEMA ELECTRICO  
Electric Scheme

MÁQ. CAFÉ AROMA/2EB\_2EW  
ESPRESSO COFFEE MACHINE AROMA/2EB\_2EW



Os elementos deste desenho podem ser alterados sem aviso prévio.  
This drawing may be altered without previous notice.