

11/2011

Mod: E17/4PQ8T-230-3--N

Production code: 373130

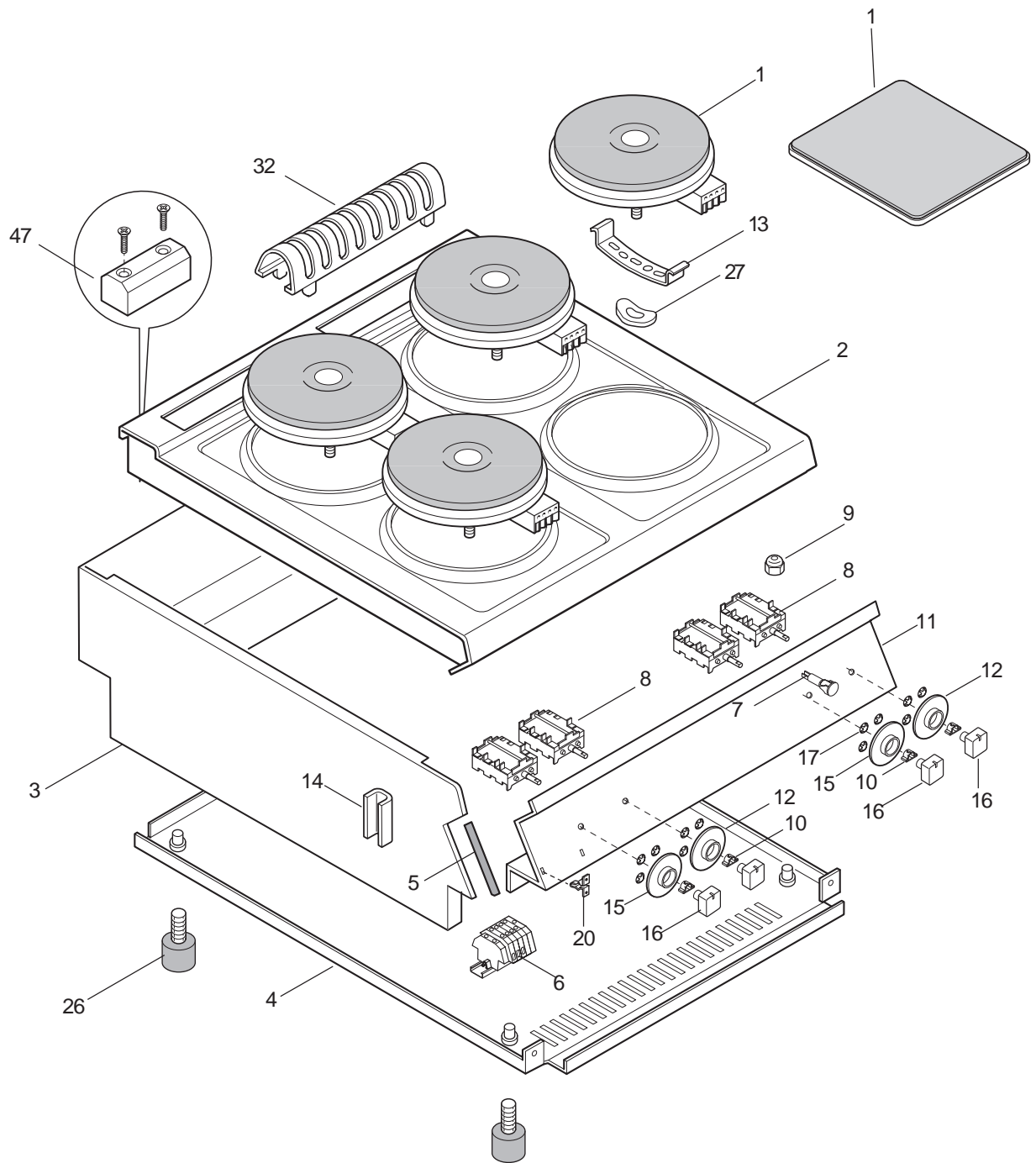


Diamond
catering equipment

PNC	Model	Ref	Pag.	Brand	Version	Notes
371014	E7ECED2R00	a	2	ELX	EL	2-HOT TOP 400 MM
371015	E7ECEH4R00	b	2	ELX	EL	4-HOT TOP 800 MM
371016	E7ECEH4RE0	c	4	ELX	EL	4-HOT +OVEN 800 MM
371019	E7ECEL6R00	d	2	ELX	EL	6-HOT TOP 1200MM
371126	E7ECED2R0N	e	2	ELX	EL	2-HOT TOP 400MM-230V
371127	E7ECEH4R0N	f	2	ELX	EL	4-HOT TOP 800MM-230V
371128	E7ECEH4REN	g	4	ELX	EL	4-HOT +OVEN 800MM-230V
371017	E7ECEH4Q00	h	2	ELX	EL	4-HOT SQUARE TOP 800MM
371018	E7ECEH4QE0	i	4	ELX	EL	4-HOT SQUARE +OVEN 800 MM
371129	E7ECEH4QEN	l	4	ELX	EL	4-HOT SQ. +OVEN 800MM-230V
371130	E7ECEH4Q0N	m	2	ELX	EL	4-HOT SQ. TOP 800MM-230V
371146	E7ECMD2R05	n	7	ELX	EL	2-HOT TOP 400MM-MAR400V
371147	E7ECMD2R06	o	7	ELX	EL	2-HOT TOP 400MM-MAR440V
371148	E7ECMH4RE5	p	9	ELX	EL	4-HOT +OVEN 800MM-MAR400V
371149	E7ECMH4RE6	q	9	ELX	EL	4-HOT +OVEN 800MM-MAR440V
371150	E7ECMH4QE5	r	9	ELX	EL	4-HOT SQ.+OVEN 800MM-400V
371151	E7ECMH4QE6	s	9	ELX	EL	4-HOT SQ.+OVEN 800MM-440V
371152	E7ECML6Q25	t	11	ELX	EL	6-SQ.+OVEN+BASE1200MM-400V
371153	E7ECML6Q26	u	11	ELX	EL	6-SQ.+OVEN+BASE1200MM-440V
372014	Z7ECED2R00	v	2	ZAN	EL	2-HOT TOP 400 MM
372015	Z7ECEH4R00	z	2	ZAN	EL	4-HOT TOP 800 MM
372016	Z7ECEH4RE0	a1	4	ZAN	EL	4-HOT +OVEN 800 MM
372019	Z7ECEL6R00	b1	2	ZAN	EL	6-HOT TOP 1200MM
372126	Z7ECED2R0N	c1	2	ZAN	EL	2-HOT TOP 400MM-230V
372127	Z7ECEH4R0N	d1	2	ZAN	EL	4-HOT TOP 800MM-230V
372128	Z7ECEH4REN	e1	4	ZAN	EL	4-HOT +OVEN 800MM-230V
372017	Z7ECEH4Q00	f1	2	ZAN	EL	4-HOT SQUARE TOP 800MM
372018	Z7ECEH4QE0	g1	4	ZAN	EL	4-HOT SQUARE +OVEN 800 MM
372129	Z7ECEH4QEN	h1	4	ZAN	EL	4-HOT SQ. +OVEN 800MM-230V
372130	Z7ECEH4Q0N	i1	2	ZAN	EL	4-HOT SQ. TOP 800MM-230V
373014	A7ECED2R00	l1	2	OEM	EL	2-HOT TOP 400 MM
373015	A7ECEH4R00	m1	2	OEM	EL	4-HOT TOP 800 MM
373016	A7ECEH4RE0	n1	4	OEM	EL	4-HOT +OVEN 800 MM
373019	A7ECEL6R00	o1	2	OEM	EL	6-HOT TOP 1200MM
373017	A7ECEH4Q00	p1	2	OEM	EL	4-HOT SQUARE TOP 800MM
373018	A7ECEH4QE0	q1	4	OEM	EL	4-HOT SQUARE +OVEN 800 MM

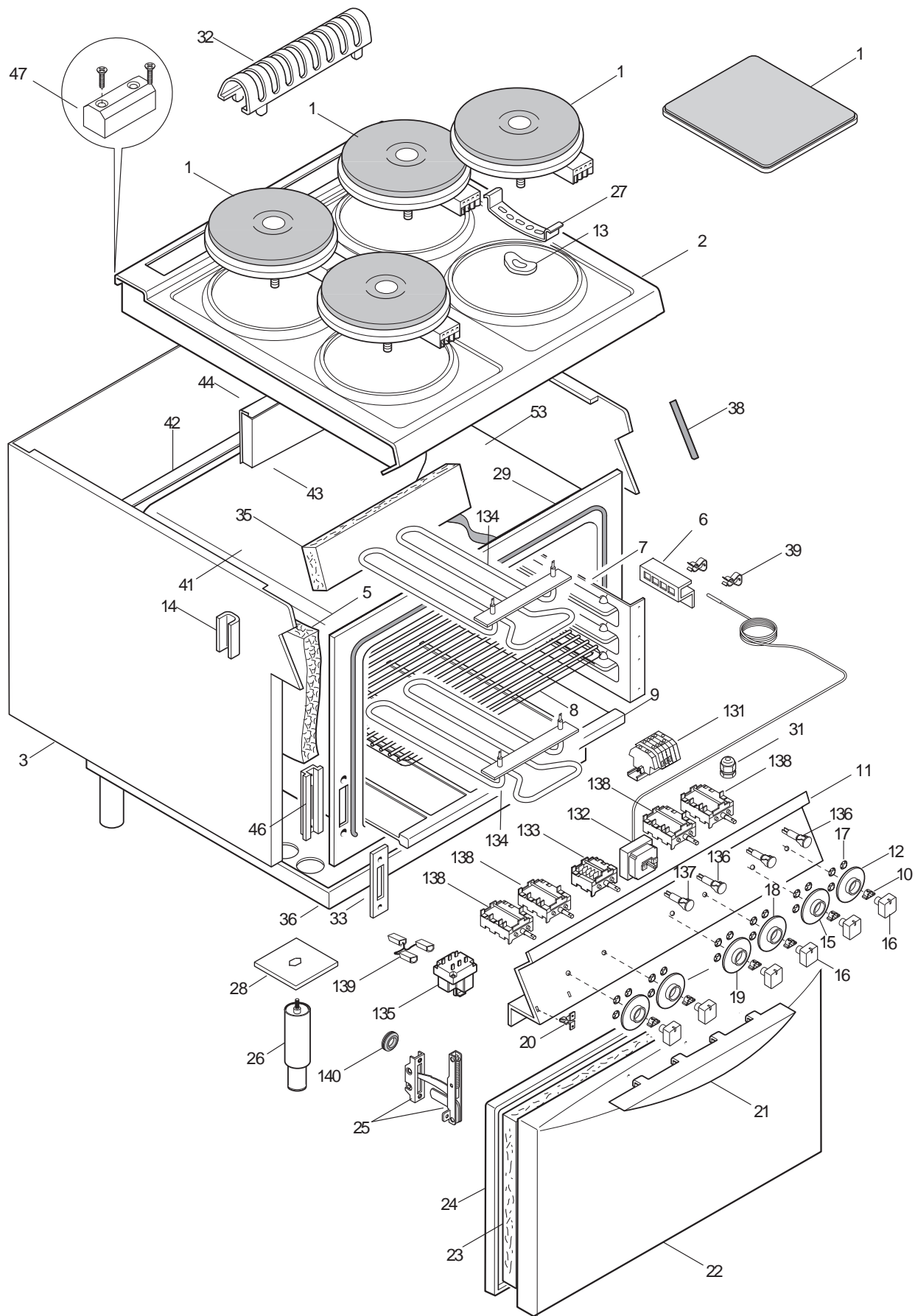
Pag	Index	Indice	Note
-	General components	Componenti struttura	
-	Gas components	Componenti Gas	
-	Spare parts list	Lista ricambi	

Brand/Marchio: All
 Factory code: 9PDX



**CUCINE ELETTRICHE TOP E700XP
HOT PLATE ELECTRIC BOILING TOP E700XP**

Pos	Factory Code	6DGT Code	Descrizione	Description	Ref./Note
			Pagina 2	Page 2	
1	0617821900	006220	PIASTRA ELETTRICA 2600W 220V	COOKING PLATE 2600W 220V	SQUARE
1	0617802900	053407	PIASTRA ELETTRICA 2600W 220V	COOKING PLATE 4kW 220V	
2	085089D800	0C5283	RIPIANO 400mm	TABLE TOP 400mm	ELX
2	087089G400	0C7859	RIPIANO 400mm	TABLE TOP 400mm	ZAN, OEM
2	085089DB00	0C7718	RIPIANO 800mm	TABLE TOP 800mm	ELX - SQUARE
2	087089G300	0C7731	RIPIANO 800mm	TABLE TOP 800mm	ZAN, OEM - SQUARE
2	085089D900	0C7717	RIPIANO 800mm	TABLE TOP 800mm	ELX
2	087089G500	0C7732	RIPIANO 800mm	TABLE TOP 800mm	ZAN, OEM
2	085089DA00	0C7854	RIPIANO 1200mm	TABLE TOP 1200mm	ELX
2	087089G600	0C7860	RIPIANO 1200mm	TABLE TOP 1200mm	ZAN, OEM
3	085089F700		RIVESTIMENTO LATERALE TOP 400mm	EXTERNAL PANEL TOP 400mm	ELX
3	085089FA00		RIVESTIMENTO LATERALE TOP 400mm	EXTERNAL PANEL TOP 400mm	ZAN, OEM
3	085089F800		RIVESTIMENTO LATERALE TOP 800mm	EXTERNAL PANEL TOP 800mm	ELX
3	085089FB00		RIVESTIMENTO LATERALE TOP 800mm	EXTERNAL PANEL TOP 800mm	ZAN, OEM
3	085089F900		RIVESTIMENTO LATERALE TOP 1200mm	EXTERNAL PANEL TOP 1200mm	ELX
3	085089FC00		RIVESTIMENTO LATERALE TOP 1200mm	EXTERNAL PANEL TOP 1200mm	ZAN, OEM
4	0533832200	*	FONDO TOP 400mm	BOTTOM TOP 400mm	400 mm
4	0533832300	*	FONDO TOP 800mm	BOTTOM TOP 800mm	800 mm
5	0140088006	0L0113	GUARNIZIONE CRUSCOTTO	GASKET, CONTROL PANEL	
6	0A05714000	058613	MORSETTIERA	MAIN TERMINAL BOARD	
7	0876800002	005010	LAMPADA SPIA VERDE	GREEN LAMP	
8	0641801900	059238	COMMUTATORE 7 POSIZIONI	SWITCH 7 POS.	
9	0544802300	0C0068	PASSACAVO	CORE HITCH	
10	0214590701	025245	MOLLETTA MANOPOLA	SPRING, KNOB	
11	085089B000	0C7291	CRUSCOTTO 400mm	CONTROL PANEL TOP 400mm	ELX
11	085589A400	0C7308	CRUSCOTTO 800mm	CONTROL PANEL TOP 800mm	ELX
11	087089F900	0C7858	CRUSCOTTO 1200mm	CONTROL PANEL TOP 1200mm	ELX
11	085089FW00	0C7647	CRUSCOTTO 400mm	CONTROL PANEL TOP 400mm	ZAN
11	087089GK00	0C7317	CRUSCOTTO 800mm	CONTROL PANEL TOP 800mm	ZAN
11	087089GR00	0C7862	CRUSCOTTO 1200mm	CONTROL PANEL TOP 1200mm	ZAN
11	050389LS00		CRUSCOTTO 400mm	CONTROL PANEL TOP 400mm	OEM
11	050389LT00		CRUSCOTTO 800mm	CONTROL PANEL TOP 800mm	OEM
11	050389U200		CRUSCOTTO 1200mm	CONTROL PANEL TOP 1200mm	OEM
12	0548877F00	0C7228	GHIERA PIASTRA ELET. ANTERIORE	KNOB RING, FRONT COOK.PLATE	ELX
12	0548879S00	0C7245	GHIERA PIASTRA ELET. ANTERIORE	KNOB RING, FRONT COOK.PLATE	ZAN, OEM
13	0205980200	051906	STAFFA PER PIASTRA	STIRRUP	
14	0527850500	0C0156	PIASTRA FISSAGGIO FIANCHI	SIDE PANELS JOINTING PLATE	
15	0548877G00	0C7230	GHIERA PIASTRA ELET. POSTERIORE	KNOB RING, REAR COOK.PLATE	ELX
15	0548879T00	0C7246	GHIERA PIASTRA ELET. POSTERIORE	KNOB RING, REAR COOK.PLATE	ZAN, OEM
16	0511850G01	0C6670	MANOPOLA	KNOB	ELX
16	0548877V00	0C7345	ADATTATORE MANOPOLA	KNOB, ADAPTER	ELX
16	0548878201	0C7232	MANOPOLA	KNOB	ZAN
16	0548865500	0A5621	MANOPOLA	KNOB	OEM
17	0218912211	069567	MOLLETTA PER GHIERA	SPRING, KNOB RING	
20	0518801801	053342	MOLLA PER MARCHIO	SPRING, LABEL	
26	0315252601	026806	PIEDE	FOOT	
27	0206993100	051907	MOLLA PER PIASTRA	SPRING FOR PLATE	
32	050389LP00	0C7333	GRIGLIA CAMINO	GRATE, CHIMNEY	
47	0516860700	0C0137	PIASTRA GIUNZIONE POSTERIORE	JOINTING REAR PLATE	



**CUCINE ELETTRICHE MONOBLOCCO E700XP
ELECTRIC COOKERS RANGES E700XP**

Pos	Factory Code	6DGT Code	Descrizione	Description	Ref./Note
			Pagina 4-5	Page 4-5	
1	0617802900	053407	PIASTRA ELETTRICA 2600W 220V	COOKING PLATE 2600W 220V	
2	085089DB00	0C7718	RIPIANO 800mm	TABLE TOP 800mm	ELX - SQUARE
2	087089G300	0C7731	RIPIANO 800mm	TABLE TOP 800mm	ZAN, OEM - SQUARE
2	085089D900	0C7717	RIPIANO 800mm	TABLE TOP 800mm	ELX
2	087089G500	0C7732	RIPIANO 800mm	TABLE TOP 800mm	ZAN, OEM
3	085089FF00		RIVESTIMENTO LATERALE 800	SIDE PANEL FREESTANDING 800mm	ELX
3	085089FJ00		RIVESTIMENTO LATERALE 800	SIDE PANEL FREESTANDING 800mm	ZAN, OEM
4	0529850500	0C0182	PIASTRINA FACCIATA-FIANCO	PLATE JOINTING OVEN	
5	0560802203	*	ISOLAMENTO FORNO DX- SX	INSULATION OVEN	
6	0507861301	059233	GRIGLIA PROTEZIONE BULBO	PROTECTION PROBE	
7	0533814000	0C2700	GUIDA X GRIGLIA	GRATE LEADING	
8	0330260842	025020	GRIGLIA FORNO	GRATE OVEN	
9	0500850001	054144	SUOLA FORNO	SOLE PLATE	
10	0214590701	025245	MOLLETTA MANOPOLA	SPRING, KNOB	
11	085589AV00	0C7275	CRUSCOTTO	CONTROL PANEL	ELX
11	087089GL00	0C7285	CRUSCOTTO	CONTROL PANEL	ZAN
11	085089HS00	0C7270	CRUSCOTTO	CONTROL PANEL	OEM
12	0548877F00	0C7228	GHIERA PIASTRA ELET. ANTERIORE	KNOB RING, FRONT COOK.PLATE	ELX
12	0548879S00	0C7245	GHIERA PIASTRA ELET. ANTERIORE	KNOB RING, FRONT COOK.PLATE	ZAN, OEM
13	0206993100	051907	MOLLA X PIASTRA	SPRING	
14	0527850500	0C0156	PIASTRA FISSAGGIO FIANCHI	SIDE PANELS JOINTING PLATE	
15	0548877G00	0C7230	GHIERA PIASTRA ELET. POSTERIORE	KNOB RING, REAR COOK.PLATE	ELX
15	0548879T00	0C7246	GHIERA PIASTRA ELET. POSTERIORE	KNOB RING, REAR COOK.PLATE	ZAN, OEM
16	0511850G01	0C6670	MANOPOLA	KNOB	ELX
*	0548877V00	0C7345	ADATTATORE MANOPOLA	KNOB, ADAPTER	ELX
16	0548878201	0C7232	MANOPOLA	KNOB	ZAN
16	0548865500	0A5621	MANOPOLA	KNOB	OEM
17	0218912211	069567	MOLLETTA PER GHIERA	SPRING, KNOB RING	
18	0548877S00	0C7343	GHIERA MANOPOLA TERMOSTATO	KNOB RING, THERMOSTAT	ELX
18	0548879D00	0C7242	GHIERA MANOPOLA TERMOSTATO	KNOB RING, THERMOSTAT	ZAN, OEM
19	0548877J00	0C7231	GHIERA MANOPOLA COMMUTATORE	KNOB RING, COMMUTATOR	ELX
19	0548879U00	0C7247	GHIERA MANOPOLA COMMUTATORE	KNOB RING, COMMUTATOR	ZAN, OEM
20	0518801801	053342	MOLLA PER MARCHIO	SPRING, LABEL	
21	0806823701	0C0200	MANIGLIA FORNO	HANDLE, OVEN	
22	0529836900	0C0178	PORTA FORNO	OVEN DOOR	
23	0560839601	0C0197	ISOLAMENTO PORTA FORNO	INSULATION OVEN DOOR	
24	0522882800	0C2694	CONTROPORTA FORNO	INNER DOOR	
25	0835848100	0C0203	CERNIERA PORTA	HINGE	
26	0835856900	0C0204	PIEDE	FOOT	
27	0205980200	051906	STAFFA X PIASTRA	STIRRUP	
28	0508898900	0C0122	PIASTRA DI RINFORZO	STIFFENING PLATE	
29	0870838203	0C0218	FACCIATA FORNO	FRONT OVEN	
32	050389LP00	0C7333	GRIGLIA CAMINO	GRATE, CHIMNEY	
33	0205075423	052725	COPRICERNIERA	HINGE COVER	
35	0560840300	0C0261	ISOLAMENTO ANTERIORE FORNO	FRONT INSULATION OVEN	
36					
36					
36	0530830801	*	FONDOFORNO ELETTR. 800mm	BOTTOM ELECTRIC OVEN	
38	0140088006	0L0113	GUARNIZIONE PER CRUSCOTTO	GASKET, CONTROL PANNEL	
39	0214584201	066823	MOLLA PER BULBO	SPRING, BULB	
41	0522883600	*	INVOLUCRO FORNO ELETTRICO	OVEN SHELL	
42	0522882700	*	SCHIENALE FORNO ELETTRICO	REAR SIDE PANEL OVEN	
43	0533825300	*	ANTERIORE SFIATO VAPORI	FRONT STEAM DRAIN	
44	0533825400	*	POSTERIORE SFIATO VAPORI	REAR STEAM DRAIN	
46	0529835402	0C0165	SUPPORTO CERNIERA	HOLDER FOR HINGE	
47	0516860700	0C0137	PIASTRA GIUNZIONE POSTERIORE	JOINTING REAR PLATE	

From sr. Nr/ Da Ser. Nr.: ***

From status level / Da scatto: 00

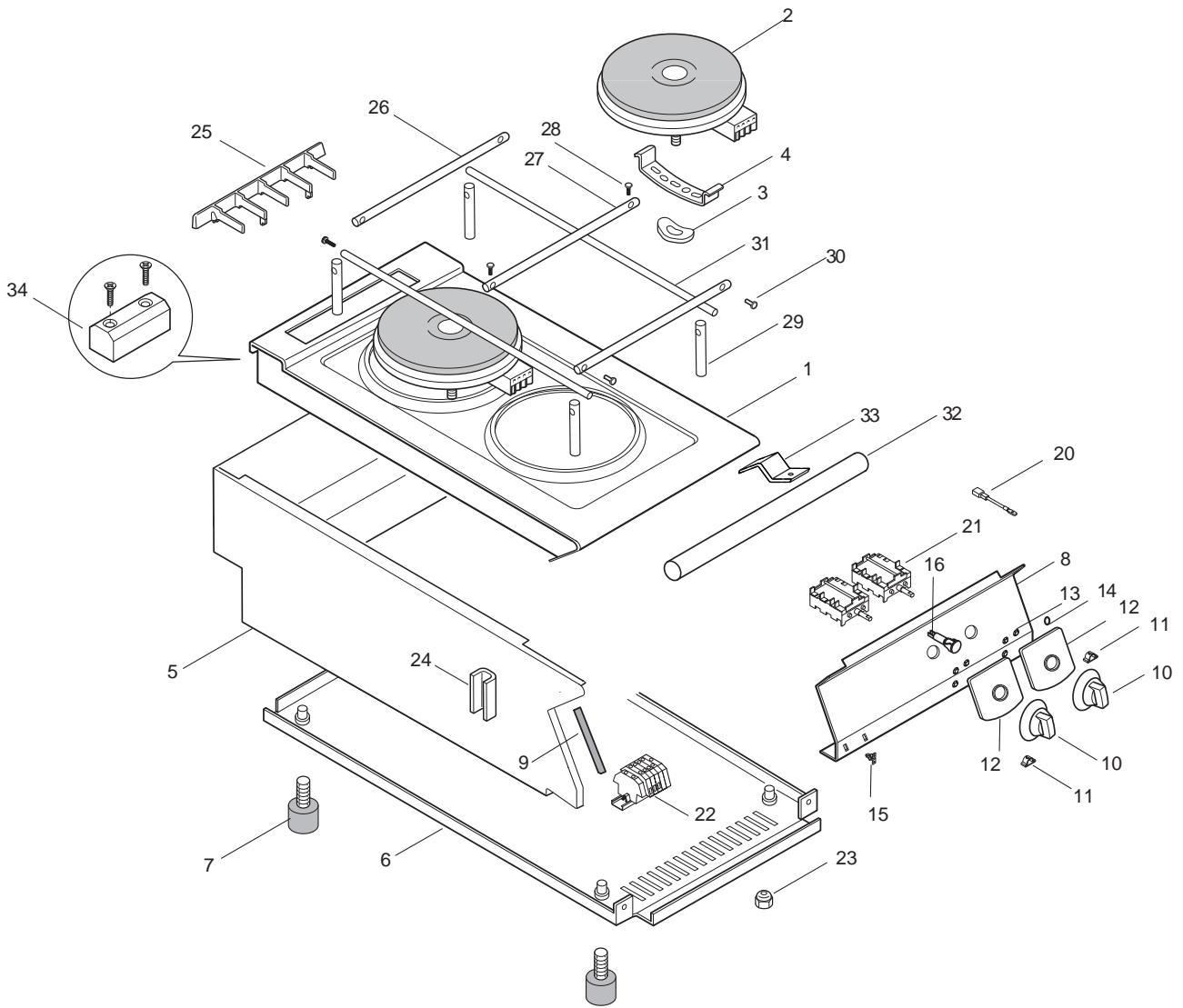
Page: 5

Ed. 2011 04

Doc. Nr.: **059785DP00**

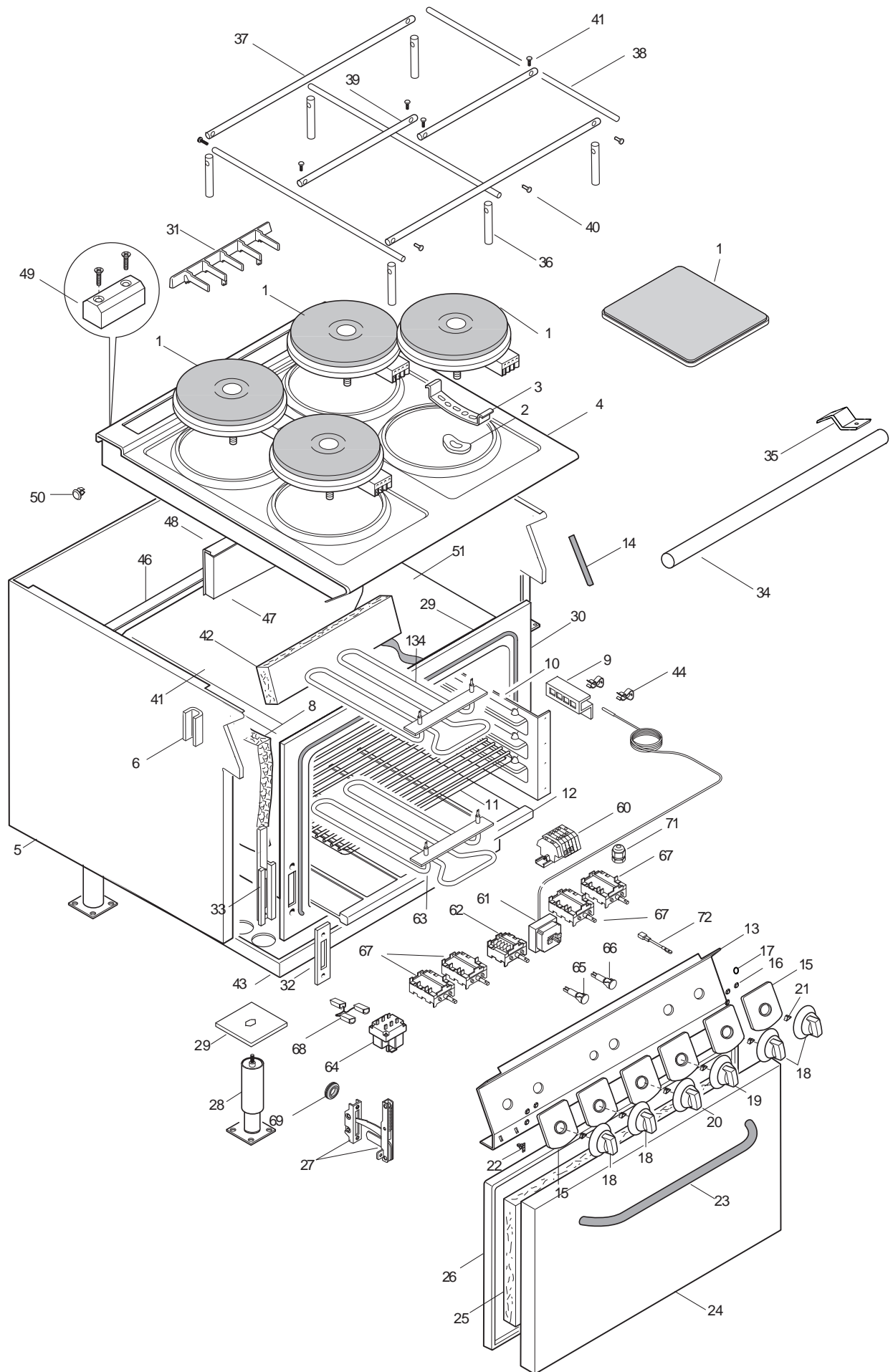
CUCINE ELETTRICHE MONOBLOCCO E700XP
ELECTRIC COOKERS RANGES E700XP

<i>Pos</i>	<i>Factory Code</i>	<i>6DGT Code</i>	<i>Descrizione</i>	<i>Description</i>	<i>Ref./Note</i>
52	0516810900	002449	TAPPO	COVERING PLUGS	
53	0560851800	*	ISOLAMENTO CIELO	TOP INSULATION	
			Componenti elettrici	Electric components	
131	0A05714000	058613	MORSETTIERA	MAIN TERMINAL BLOCK	
132	0646805302	059235	TERMOSTATO	THERMOSTAT	
133	0641803700	0C0320	COMMUTATORE	SWITCH	
134	0617832400	0C2813	RESISTENZA FORNO 1500W 400V	HEATING ELEMENT 1500W 400V	
134	0617832500	0C3638	RESISTENZA FORNO 1500W 230V	HEATING ELEMENT 1500W 230V	
135	0646808600	004600	TERMOSTATO	THERMOSTAT	
136	0876800102	005011	LAMPADA GIALLA TONDA	YELLOW LAMP	
137	0876800002	005010	LAMPADE VERDE TONDA	GREEN LAMP	
138	0641801900	059238	COMMUTATORE 7 POSIZIONI	SWITCH, 7 POSITION	
139	0638896300	0C0311	RESISTENZA DI DISPERSIONE	LEAKAGE RESISTANCE	
140	0246520500	050180	PASSACAVO D 23	CORE HITCH	



**CUCINE ELETTRICHE TOP E700XP MARINE
HOT PLATE ELECTRIC BOILING TOP E700XP MARINE**

<i>Pos</i>	<i>Factory Code</i>	<i>6DGT Code</i>	<i>Descrizione</i>	<i>Description</i>	<i>Ref./Note</i>
			Pagina 12	Page 12	
1	087089CW00	0C7857	RIPIANO	TABLE TOP	
2	0617818001	003931	PIASTRA ELETTRICA 2600W 400V	COOKING PLATE 4kW 400V	400 V
2	0617818201	003929	PIASTRA ELETTRICA 2600W 440V	COOKING PLATE 4kW 440V	440 V
3	0206993100	051907	MOLLA PER PIASTRA	SPRING FOR PLATE	
4	0205980200	051906	STAFFA PER PIASTRA	STIRRUP	
5	085089F700		RIVESTIMENTO LATERALE TOP	EXTERNAL PANEL TOP	
6	0530865000	*	FONDO TOP	BOTTOM TOP	
7	0315252601	026806	PIEDE	FOOT	
8	085089B000	0C7291	CRUSCOTTO	CONTROL PANEL TOP	
9	0140088006	0L0113	GUARNIZIONE CRUSCOTTO	GASKET, CONTROL PANEL	
10	0511850G01	0C6670	MANOPOLA	KNOB	ELX
*	0548877V00	0C7345	ADATTATORE MANOPOLA	KNOB, ADAPTER	ELX
11	0214590701	025245	MOLLETTA MANOPOLA	SPRING, KNOB	
12	0548877F00	0C7228	GHIERA PIASTRA ELET. ANTERIORE	KNOB RING, FRONT COOK.PLATE	
12	0548877G00	0C7230	GHIERA PIASTRA ELET. POSTERIORE	KNOB RING, REAR COOK.PLATE	
13	0218912211	069567	MOLLETTA PER GHIERA	SPRING, KNOB RING	
14	0541813800	0C6171	RONDELLA	WASHER	
15	0518801801	053342	MOLLA PER MARCHIO	SPRING, LABEL	
16	0876800002	005010	ASSIEME LAMPADA VERDE	GREEN LAMP	
17	0660806900	0C2585	LAMPADA	LAMP	
18	0655800100	*	LENTE VERDE	GREEN LAMP	
19	0543826400	0C2183	OR	GASKET	
20	0638865100	005370	RESISTENZA DI CADUTA	LEAKAGE RESISTANCE	
21	0641801900	059238	COMMUTATORE 7 POSIZIONI	SWITCH 7 POS.	
22	0A05714000	058613	MORSETTIERA	MAIN TERMINAL BOARD	
23	0544802300	0C0068	PASSACAVO	CORE HITCH	
24	0527850500	0C0156	PIASTRA FISSAGGIO FIANCHI	SIDE PANELS JOINTING PLATE	
25	050389LP00	0C7333	GRIGLIA CAMINO	GRATE, CHIMNEY	
26	0513807800	0C6274	TRAVERSA FISSA	FIXED CROSSBAR	
27	0514899C00	0C6281	TRAVERSA MOBILE	MOVING CROSSBAR	
28	0514899F00	0C6135	GHIERA CON FERMO	SCREW WITH STOPPER	
29	0514899G00	0C6136	COLONNINA	COLUMN	
30	0516841100	0C3101	GHIERA	SCREW	
31	0516841901	0C3103	TRAVERSA FISSA	FIXED CROSSBAR	
32	0853800600	*	CORRIMANO 400 mm	FRONTAL HANDRAIL	
33	0512810400	*	SUPPORTO CORRIMANO	SUPPORT FOR FRONTAL HANDRAIL	
34	0516860700	0C0137	PIASTRA GIUNZIONE POSTERIORE	JOINTING REAR PLATE	



CUCINE ELETTRICHE MONOBLOCCO E700XP MARINE
ELECTRIC COOKERS RANGES E700XP MARINE

Pos	Factory Code	6DGT Code	Descrizione	Description	Ref./Note
			Pagina 14-15	Page 14-15	
1	0617818001	003931	PIASTRA ELETTRICA 2600W 400V	COOKING PLATE 2600W 400V	400 V
1	0617818201	003929	PIASTRA ELETTRICA 2600W 440V	COOKING PLATE 2600W 440V	440 V
1	0617838500	0C6243	PIASTRA ELETTRICA 2600W 400V	COOKING PLATE 2600W 400V	SQUARE 400V
1	0617838600	0C6244	PIASTRA ELETTRICA 2600W 440V	COOKING PLATE 2600W 440V	SQUARE 440V
2	0206993100	051907	MOLLA X PIASTRA	SPRING	
3	0205980200	051906	STAFFA X PIASTRA	STIRRUP	
4	087089CX00	0C7727	RIPIANO 800mm	TABLE TOP 800mm	
4	087089CY00	0C7728	RIPIANO 800mm	TABLE TOP 800mm	SQUARE
5	085089FF00		RIVESTIMENTO LATERALE 800	SIDE PANEL FREESTANDING 800mm	
6	0527850500	0C0156	PIASTRA FISSAGGIO FIANCHI	SIDE PANELS JOINTING PLATE	
7	0529850500	0C0182	PIASTRINA FACCIATA-FIANCO	PLATE JOINTING OVEN	
8	0560802203	*	ISOLAMENTO FORNO DX- SX	INSULATION OVEN	
9	0507861301	059233	GRIGLIA PROTEZIONE BULBO	PROTECTION PROBE	
10	0533814000	0C2700	GUIDA X GRIGLIA	GRATE LEADING	
11	0330260842	025020	GRIGLIA FORNO	GRATE OVEN	
12	0500850001	054144	SUOLA FORNO	SOLE PLATE	
13	085589AV00	0C7275	CRUSCOTTO 800mm	CONTROL PANEL 800mm	
14	0140088006	0L0113	GUARNIZIONE PER CRUSCOTTO	GASKET, CONTROL PANNEL	
15	0548877F00	0C7228	GHIERA PIASTRA ELET. ANTERIORE	KNOB RING, FRONT COOK.PLATE	
15	0548877G00	0C7230	GHIERA PIASTRA ELET. POSTERIORE	KNOB RING, REAR COOK.PLATE	
16	0218912211	069567	MOLLETTA PER GHIERA	SPRING, KNOB RING	
17	0541813800	0C6171	RONDELLA	WASHER	
18	0511850G01	0C6670	MANOPOLA COMMUTATORE	KNOB, SWITCH	
19	0511850G01	0C6670	MANOPOLA SERIGRAFATA TERMOST.	KNOB, THERMOSTAT	
20	0511850G01	0C6670	MANOPOLA SERIGRAFATA COMMUT.	KNOB, COMMUTATOR	
*	0548877V00	0C7345	ADATTATORE MANOPOLA	KNOB, ADAPTER	
21	0214590701	025245	MOLLETTA MANOPOLA	SPRING, KNOB	
22	0518801801	053342	MOLLA PER MARCHIO	SPRING, LABEL	
23	0831825200	0C2030	MANIGLIA FORNO	HANDLE, OVEN	
24	0529837001	0C1234	PORTA FORNO	OVEN DOOR	
25	0560839601	0C0197	ISOLAMENTO PORTA FORNO	INSULATION OVEN DOOR	
26	0522882800	0C2694	CONTROPORTA FORNO	INNER DOOR	
27	0835848100	0C0203	CERNIERA PORTA	HINGE	
28	0806844600	0C3324	PIEDE	FOOT	
29	0508898900	0C0122	PIASTRA DI RINFORZO	STIFFENING PLATE	
30	0870838207	0C0218	FACCIATA FORNO	FRONT OVEN	
31	050389LP00	0C7333	GRIGLIA CAMINO	GRATE, CHIMNEY	
32	0205075423	052725	COPRICERNIERA	HINGE COVER	
33	0529835404	0C5244	SUPPORTO CERNIERA	HOLDER FOR HINGE	
34	0853800700	*	CORRIMANO 800 mm	FRONTAL HANDRAIL	
35	0512810400	*	SUPPORTO CORRIMANO	SUPPORT FOR FRONTAL HANDRAIL	
36	0514899G00	0C6136	COLONNINA	COLUMN	
37	0513807600	0C6276	TRAVERSA FISSA	FIXED CROSSBAR	
38	0516841901	0C3103	TRAVERSA FISSA	FIXED CROSSBAR	
39	0514899D00	0C6272	TRAVERSA MOBILE	MOVING CROSSBAR	
40	0516841100	0C3101	GHIERA	SCREW	
41	0514899F00	0C6135	GHIERA CON FERMO	SCREW WITH LOCK	
42	0560840300	0C0261	ISOLAMENTO ANTERIORE FORNO	FRONT INSULATION OVEN	
43	0530830804	*	FONDOFORNO ELETTR. 800mm	BOTTOM ELECTRIC OVEN	
44	0214584201	066823	MOLLA PER BULBO	SPRING, BULB	
45	0522883603	*	INVOLUCRO FORNO ELETTRICO	OVEN SHELL	
46	0522882701	*	SCHIENALE FORNO ELETTRICO	REAR SIDE PANEL OVEN	
47	0533825302	*	ANTERIORE CAMINO	FRONT PANEL FOR CHIMNEY	
48	0533825401	*	POSTERIORE CAMINO	REAR PANEL FOR CHIMNEY	
49	0516860700	0C0137	PIASTRA GIUNZIONE POSTERIORE	JOINTING REAR PLATE	
50	0516810900	002449	TAPPO	COVERING PLUGS	
51	0560851800	*	ISOLAMENTO CIELO	TOP INSULATION	

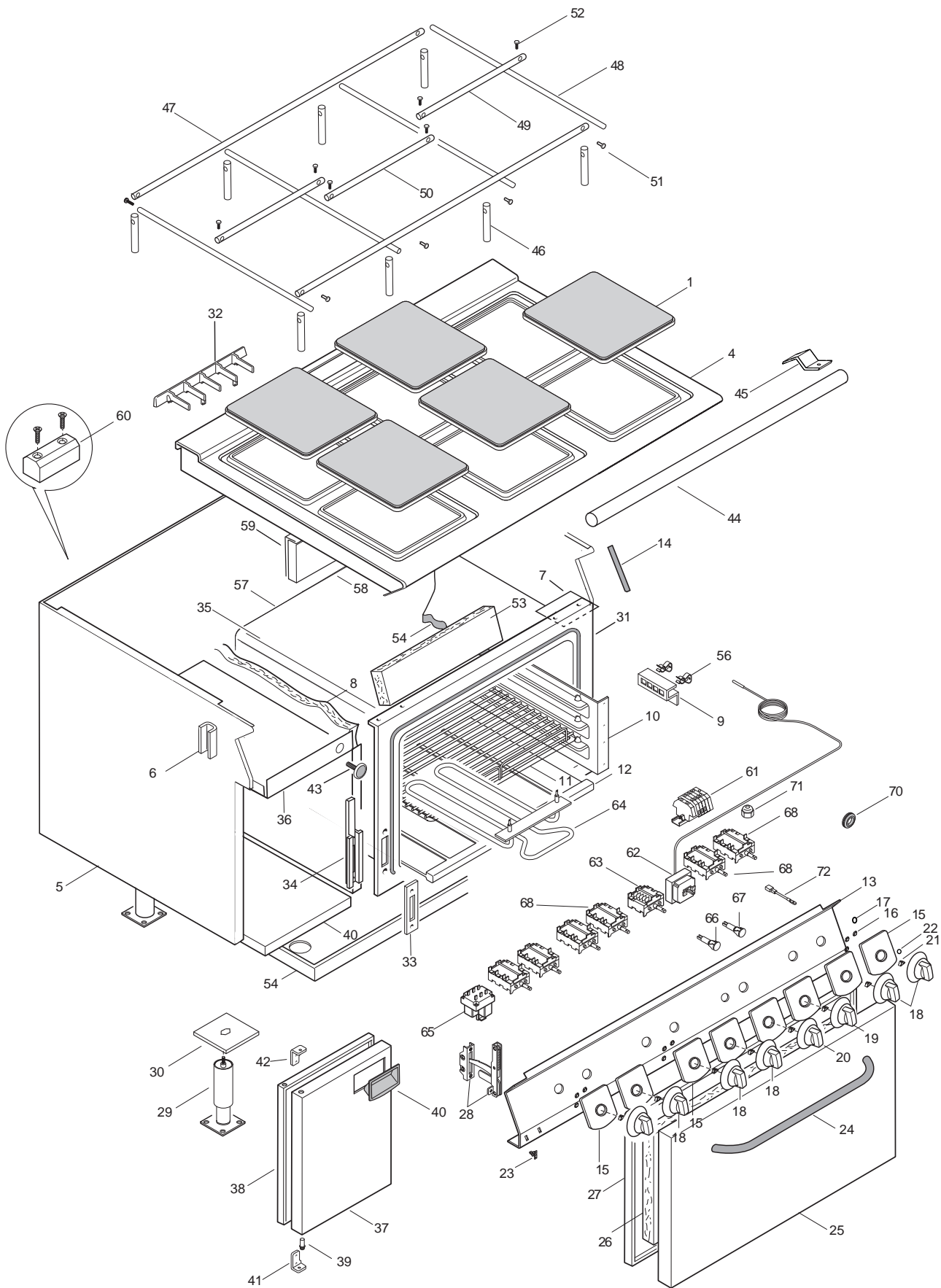
From sr. Nr/ Da Ser. Nr.: ***

From status level / Da scatto: 00

Page: 10

Ed. 2011 04

Doc. Nr.: **059785DP00**



**CUCINE ELETTRICHE PIASTRE QUADRE E700XP MARINE
HOT SQUARE PLATE ELECTRIC RANGE E700XP MARINE**

Pos	Factory Code	6DGT Code	Descrizione	Description	Ref./Note
			Pagina 20-21	Page 20-21	
1	0617838500	0C6243	PIASTRA ELETTRICA 2600W 400V	COOKING PLATE 2600W 400V	400V
1	0617838600	0C6244	PIASTRA ELETTRICA 2600W 440V	COOKING PLATE 2600W 440V	440V
4	087089CZ00	0C7729	RIPIANO	TABLE TOP	
5	085089FG00		RIVESTIMENTO LATERALE	SIDE PANEL FREESTANDING	
6	0527850500	0C0156	PIASTRA FISSAGGIO FIANCHI	SIDE PANELS JOINTING PLATE	
7	0529850500	0C0182	PIASTRINA FACCIATA-FIANCO	PLATE JOINTING OVEN	
8	0560802203	*	ISOLAMENTO FORNO DX- SX	INSULATION OVEN	
9	0507861301	059233	GRIGLIA PROTEZIONE BULBO	PROTECTION PROBE	
10	0533814000	0C2700	GUIDA PER GRIGLIA	GRATE LEADING	
11	0330260842	025020	GRIGLIA FORNO	GRATE OVEN	
12	0500850001	054144	SUOLA FORNO	SOLE PLATE	
13	085089DN00	0C7719	CRUSCOTTO	CONTROL PANEL	
14	0140088006	0L0113	GUARNIZIONE PER CRUSCOTTO	GASKET, CONTROL PANNEL	
15	0548877F00	0C7228	GHIERA PIASTRA ELET. ANTERIORE	KNOB RING, FRONT COOK.PLATE	
15	0548877G00	0C7230	GHIERA PIASTRA ELET. POSTERIORE	KNOB RING, REAR COOK.PLATE	
16	0218912211	069567	MOLLETTA PER GHIERA	SPRING, KNOB RING	
17	0541813800	0C6171	RONDELLA	WASHER	
18	0511850G01	0C6670	MANOPOLA COMMUTATORE	KNOB, SWITCH	
19	0511850G01	0C6670	MANOPOLA SERIGRAFATA TERMOST.	KNOB, THERMOSTAT	
20	0511850G01	0C6670	MANOPOLA SERIGRAFATA COMMUT.	KNOB, COMMUTATOR	
*	0548877V00	0C7345	ADATTATORE MANOPOLA	KNOB, ADAPTER	
21	0214590701	025245	MOLLETTA MANOPOLA	SPRING, KNOB	
22	0543821000	053816	GUARNIZIONE PER MANOPOLA	KNOB GASKET	
23	0518801801	053342	MOLLA PER MARCHIO	SPRING, LABEL	
24	0831825200	0C2030	MANIGLIA FORNO	HANDLE, OVEN	
25	0529837001	0C1234	PORTA FORNO	OVEN DOOR	
26	0560839601	0C0197	ISOLAMENTO PORTA FORNO	INSULATION OVEN DOOR	
27	0522882800	0C2694	CONTROPORTA FORNO	INNER DOOR	
28	0835848100	0C0203	CERNIERA PORTA	HINGE	
29	0806844600	0C3324	PIEDE	FOOT	
30	0508898900	0C0122	PIASTRA DI RINFORZO	STIFFENING PLATE	
31	0870838307	0C0219	FACCIATA FORNO	FRONT OVEN	
32	050389LP00	0C7333	GRIGLIA CAMINO	GRATE, CHIMNEY	
33	0205075423	052725	COPRICERNIERA	HINGE COVER	
34	0529835404	0C5244	SUPPORTO CERNIERA	HOLDER FOR HINGE	
35	0522883603	*	CELLA FORNO	OVEN CELL	
36	0522891201	*	CELLA VANO	BASE CELL	
37	0529860102	0C1996	PORTA VANO	DOOR	
38	0529836803	0C0177	CONTROPORTA VANO	INNER DOOR	
39	0217543145	*	PERNO	PIN	
40	0548861302	0C2016	MANIGLIA PORTA	DOOR HANDLE	
41	0516860801	0C0138	CERNIERA	HINGE	
42	0516860901	0C0139	CERNIERA	HINGE	
43	0830898200	0C0201	MAGNETE	MAGNET	
44	0853800900	*	CORRIMANO	FRONTAL HANDRAIL	
45	0512810400	*	SUPPORTO CORRIMANO	SUPPORT FOR FRONTAL HANDRAIL	
46	0514899G00	0C6136	COLONNINA	COLUMN	
47	0513807900	0C6271	TRAVERSA FISSA	FIXED CROSSBAR	
48	0516841901	0C3103	TRAVERSA FISSA	FIXED CROSSBAR	
49	0514899D00	0C6272	TRAVERSA MOBILE	MOVING CROSSBAR	
50	0514899E00	0C6273	TRAVERSA MOBILE	MOVING CROSSBAR	
51	0516841100	0C3101	GHIERA	SCREW	
52	0514899F00	0C6135	GHIERA CON FERMO	SCREW WITH LOCK	
53	0560840300	0C0261	ISOLAMENTO ANTERIORE FORNO	FRONT INSULATION OVEN	

**CUCINE ELETTRICHE PIASTRE QUADRE E700XP MARINE
HOT SQUARE PLATE ELECTRIC RANGE E700XP MARINE**

<i>Pos</i>	<i>Factory Code</i>	<i>6DGT Code</i>	<i>Descrizione</i>	<i>Description</i>	<i>Ref./Note</i>
54	0560851800	*	ISOLANTE CIELO CELLA	TOP INSULATION	
55	0532890000	*	FONDOFORNO ELETTRICO	BOTTOM ELECTRIC OVEN	
55	0522891101	*	FONDO VANO	BOTTOM	
56	0214584201	066823	MOLLA PER BULBO	SPRING, BULB	
57	0522882701	*	SCHIENALE FORNO ELETTRICO	REAR SIDE PANEL OVEN	
58	0533825302	*	ANTERIORE CAMINO	FRONT PANEL FOR CHIMNEY	
59	0533825401	*	POSTERIORE CAMINO	REAR PANEL FOR CHIMNEY	
60	0516860700	0C0137	PIASTRA GIUNZIONE POSTERIORE	JOINTING REAR PLATE	
61	0639806002	002691	MORSETTIERA	MAIN TERMINAL BLOCK	400 V
61	0A05714000	058613	MORSETTIERA	MAIN TERMINAL BLOCK	440 V
62	0646805302	059235	TERMOSTATO	THERMOSTAT	
63	0641803700	0C0320	COMMUTATORE	SWITCH	
64	0617832400	0C2813	RESISTENZA FORNO 1500W 400V	HEATING ELEMENT 1500W 400V	400 V
64	0617832600	0C4272	RESISTENZA FORNO 1500W 440V	HEATING ELEMENT 1500W 440V	440 V
65	0646808600	004600	TERMOSTATO DI SICUREZZA	SAFETY THERMOSTAT	
66	0876800102	005011	LAMPADA GIALLA TONDA	YELLOW LAMP	
67	0876800002	005010	LAMPADA VERDE TONDA	GREEN LAMP	
68	0641801900	059238	COMMUTATORE 7 POSIZIONI	SWITCH, 7 POSITION	
70	0246520500	050180	PASSACAVO D 23	CORE HITCH D 23	
70	0246522200	0C3550	PASSACAVO D 35	CORE HITCH D 35	
71	0544802400	0C3528	PRESSACAVO	FIXING CABLE	400 V
71	0544802300	0C0068	PRESSACAVO + CONTRODADO	FIXING CABLE	440 V
72	0638865100	005370	RESISTENZA DI CADUTA	LEAKAGE RESISTANCE	