

06/2015

Mod: EF101-TN

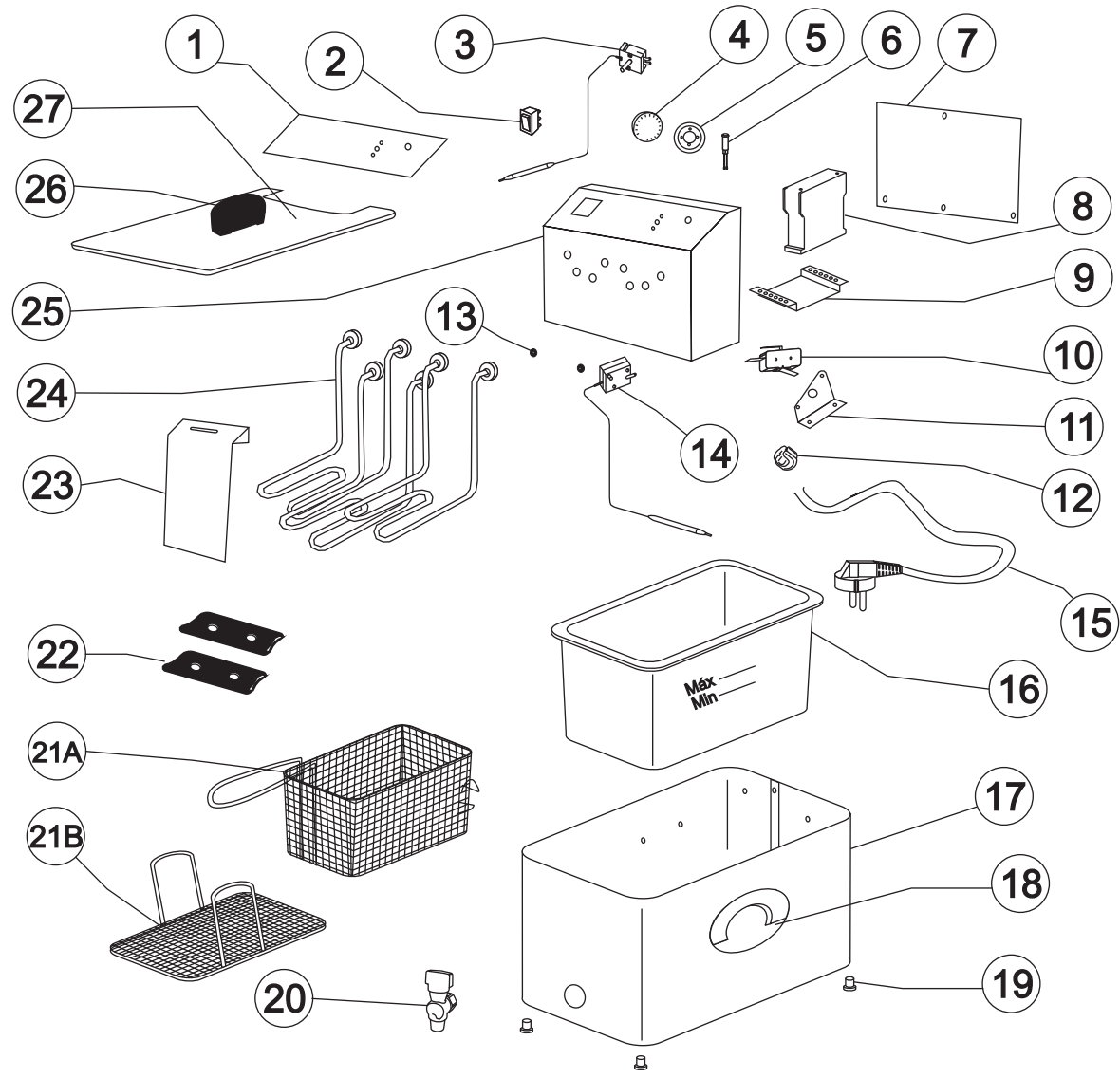
Production code: 10155002AZF



Diamond
catering equipment

Fryers

Mod.: EF101-TN



Part List Fryer Mod. EF101-TN

Item #	code	Designation	Qty
1	08AP103	Control label 8TRIF Diamond	1
2	07IU005	Switch 2 poles 16A	1
3	07TR000	Regulating thermostat w/ sensor 16A	1
4	06BT004	Thermostat knob Mod.5	1
5	109ES000	Knob accessorie	1
6	07SL000	Pilot light Green 230V	1
7	109TPFI708	Panel back cover FI708	1
8	07CT000	Relay 230V 3x9A	1
9	07CL000	Relay support	1
10	07IS001	Safety switch	1
11	109SPMS2	Safety switch support	1
12	06CC003	Strain relief 2,5mm ²	1
13	06CC004	Sensor wire ruber gland	2
14	07TS003	Safety thermostat w/ sensor 16A	1
15	07CA014	Power cord 5x2,5mm ²	1
16	109CU8TR	Oil container 8L w/tap	1
17	119BL8TRNV	Body 8L w/tap NV	1
18	06PG003	Body handle	2
19	06TA002	Rubber feet w/ screw	4
20	09TR000	Safe Tap	1
21A	09CST8LNIQ	Basket 8L	1
21B	09FLT8LNIQ	Filter 8L	1
22	06PG002	Basket handle	1
23	109HC8TRIF	Heating element cover 8TRIF	1
24	07RE018	Heating element 1500W/230V	3
25	119PNFI708TRIF	Control panel FI708TRIF	1
26	06PG004	Lid handle	1
27	109TE8TRIF	Lid 8TRIF	1
28	107CE708TRIF	Cabling 4500W-400V (230/3)	1