

06/2015

Mod: EF81-KN

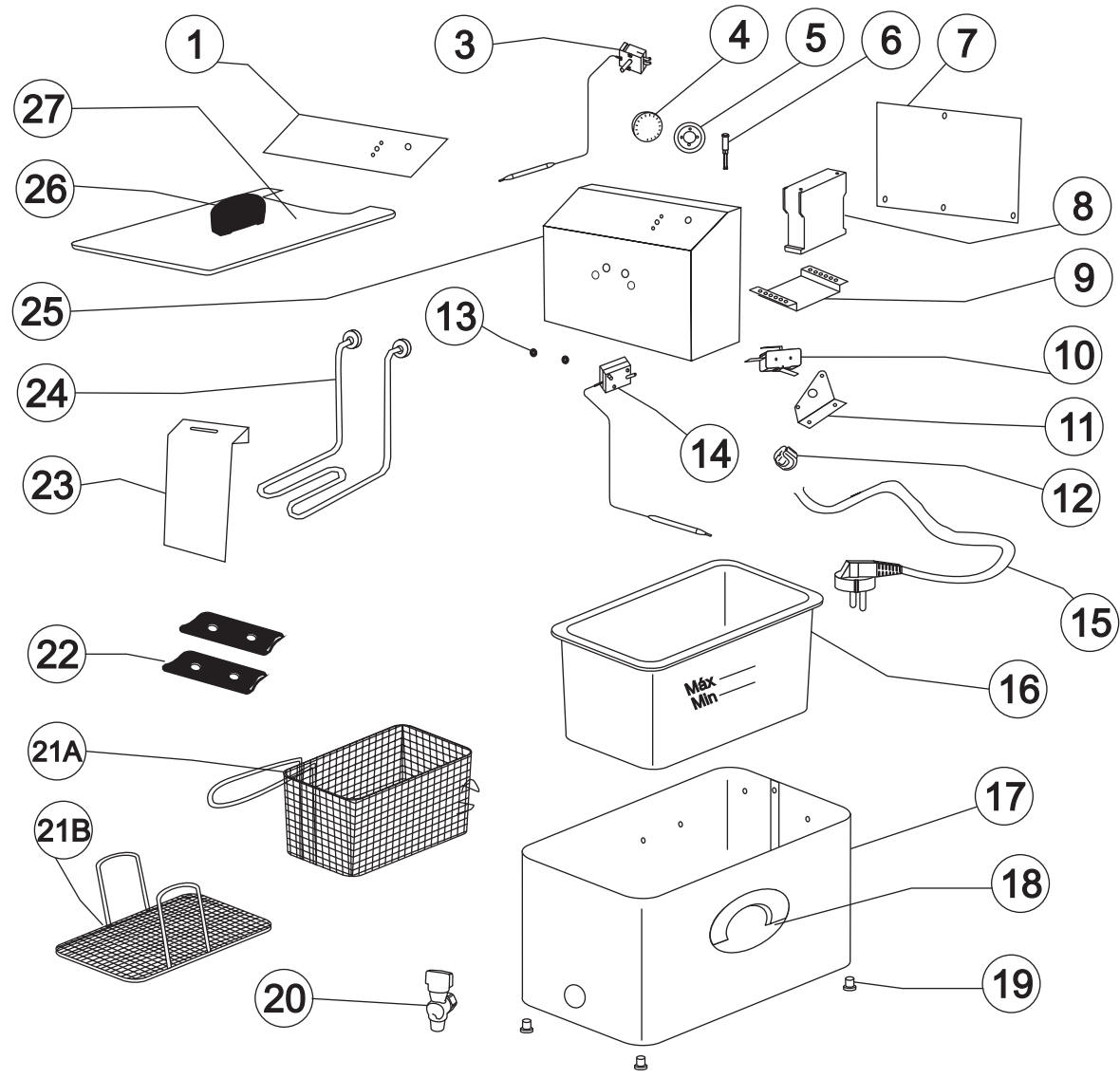
Production code: 1200501960APF



Diamond
catering equipment

Fryers

Mod.: EF81-KN



Part List Fryer Mod. EF81-KN

Item #	code	Designation	Qty
1	08AP102	Control label 8L Diamond	1
2			
3	07TR000	Regulating thermostat w/ sensor 16A	1
4	06BT004	Thermostat knob Mod.5	1
5	109ES000	Knob accessorie	1
6	07SL000	Pilot light Green 230V	1
7	109TPFI708	Panel back cover FI708	1
8	07CT006	Relay 230V 25A	1
9	07CL000	Relay support	1
10	07IS001	Safety switch	1
11	109SPMS2	Safety switch support	1
12	06CC001	Strain relief 1,5mm ²	1
13	06CC004	Sensor wire ruber gland	2
14	07TS002	Safety thermostat w/ sensor 20A	1
15	07CA007	Power cord 3x1,5mm ²	1
16	109CU8TR	Oil container 8L w/tap	1
17	119BL8TRNV	Body 8L w/tap NV	1
18	06PG003	Body handle	2
19	06TA002	Rubber feet w/ screw	4
20	09TR000	Safe Tap	1
21A	09CST8LNIQ	Basket 8L	1
21B	09FLT8LNIQ	Filter 8L	1
22	06PG002	Basket handle	1
23	109HC48L	Heating element cover 4/8L	1
24	07RE001	Heating element 3500W/230V	1
25	119PNFI708	Control panel FI708	1
26	06PG004	Lid handle	1
27	109TE8L	Lid 8L	1
28	107CE708CON	Cabling 3500W-230V Relay	1