

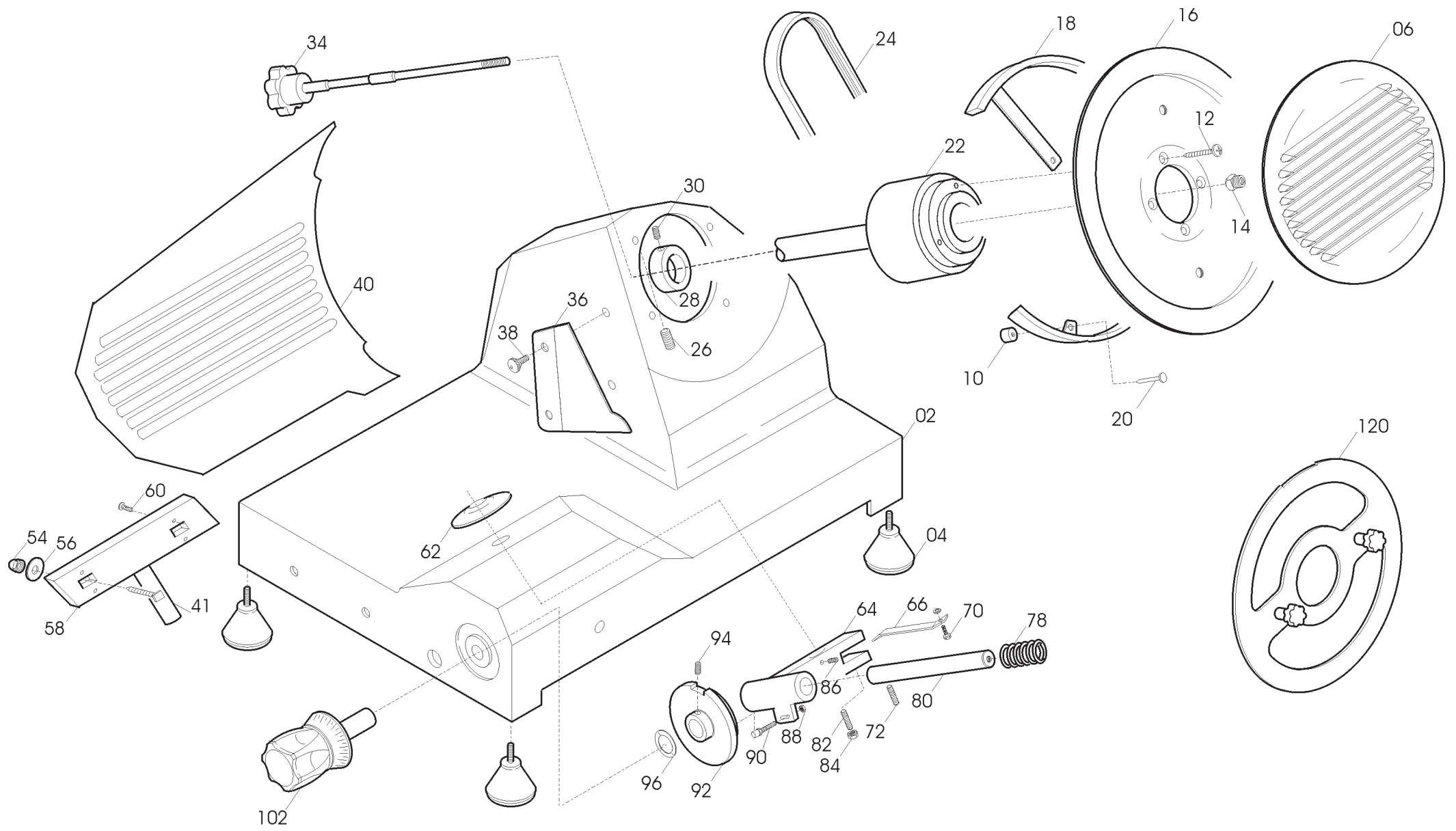
07/2015

# Mod: 300/BS

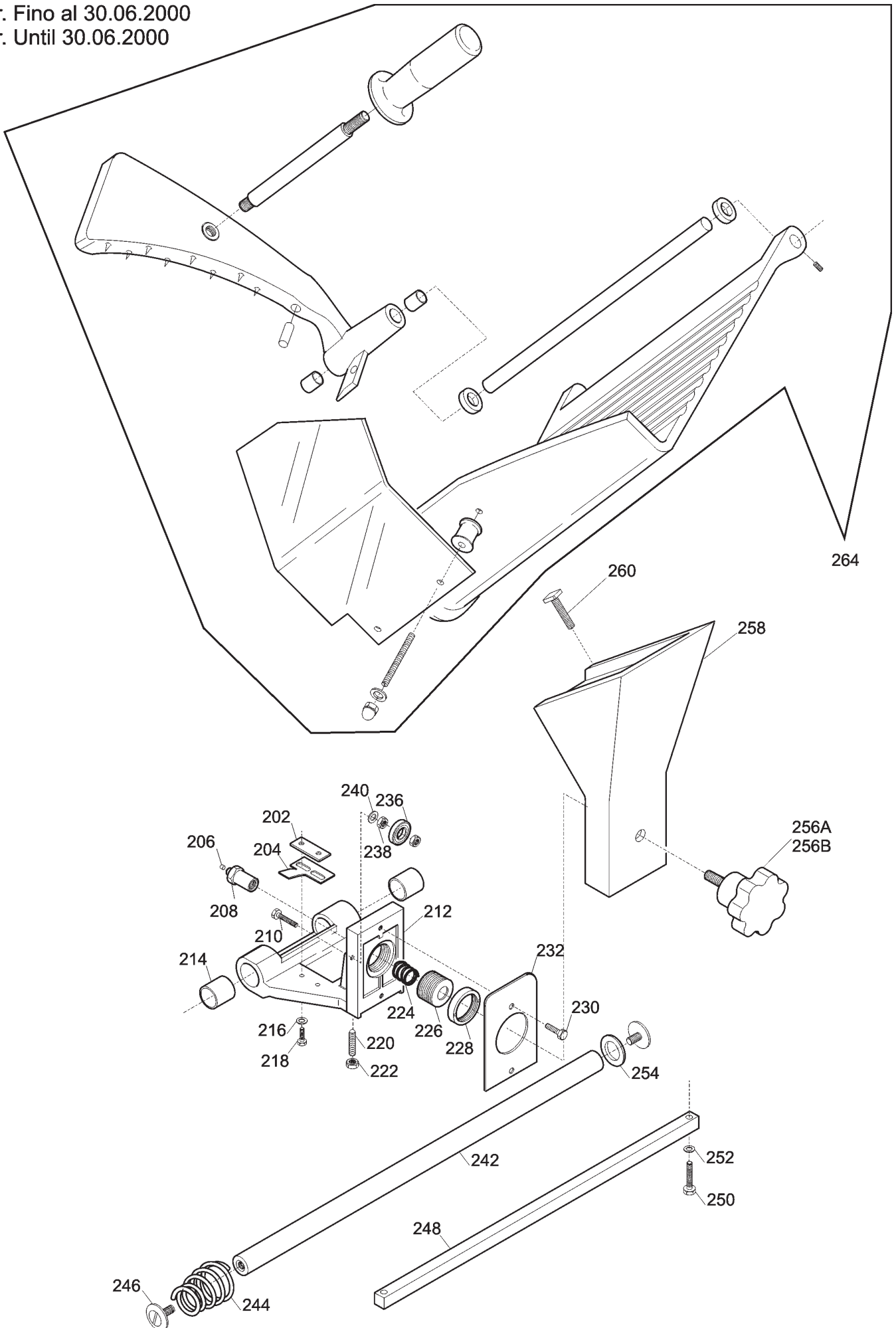
Production code: 153035B02WHL



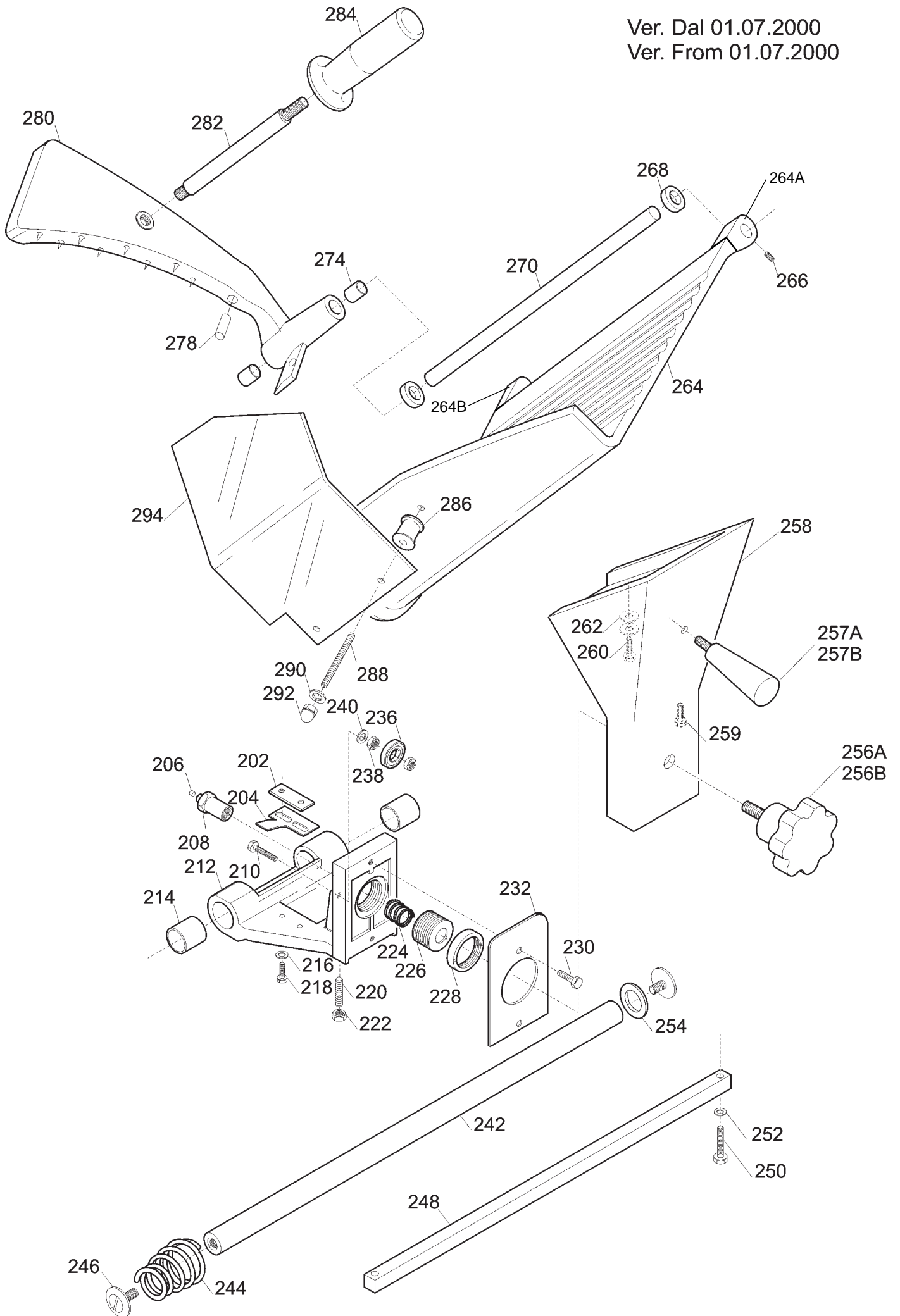
**Diamond**  
catering equipment

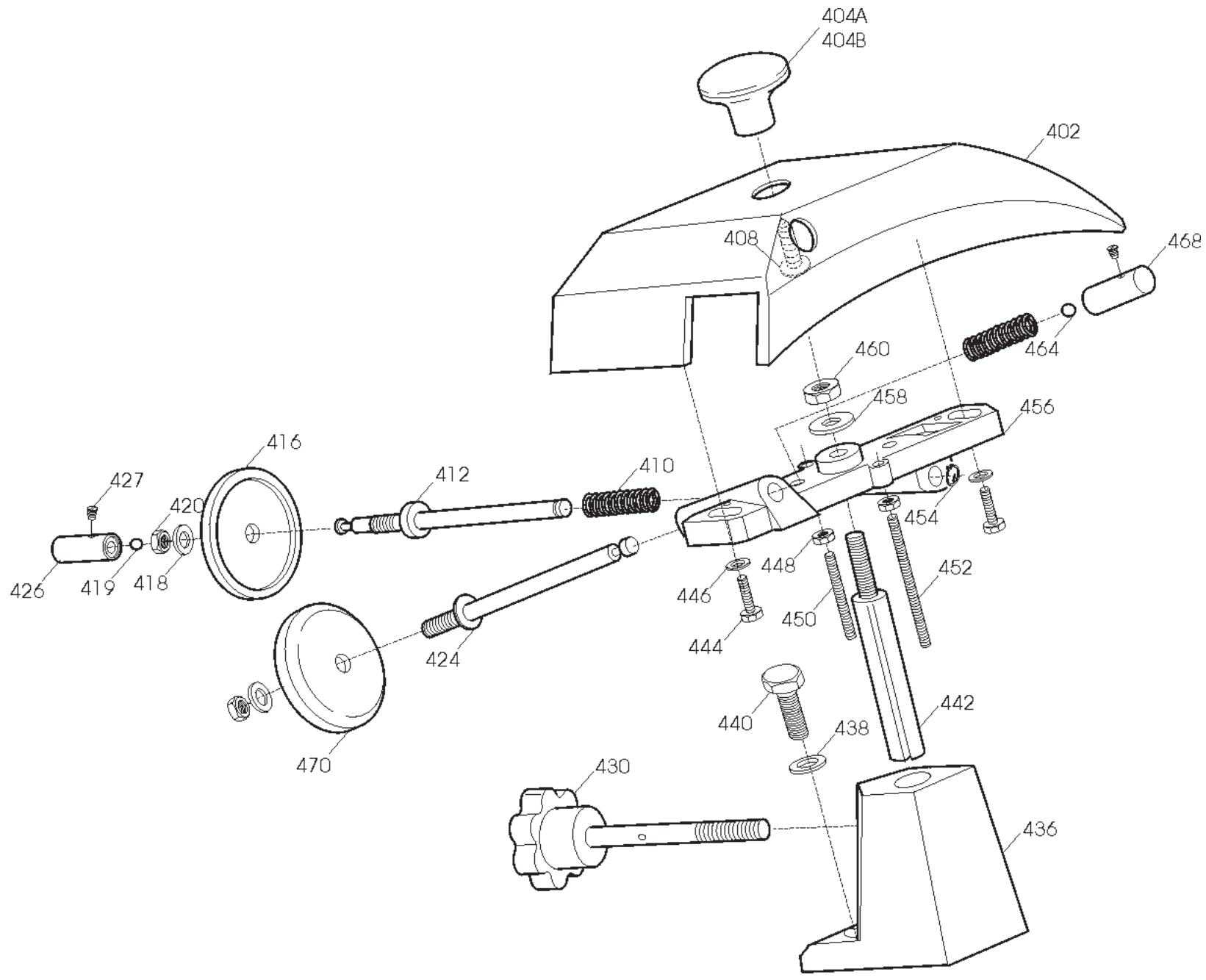


Ver. Fino al 30.06.2000  
Ver. Until 30.06.2000

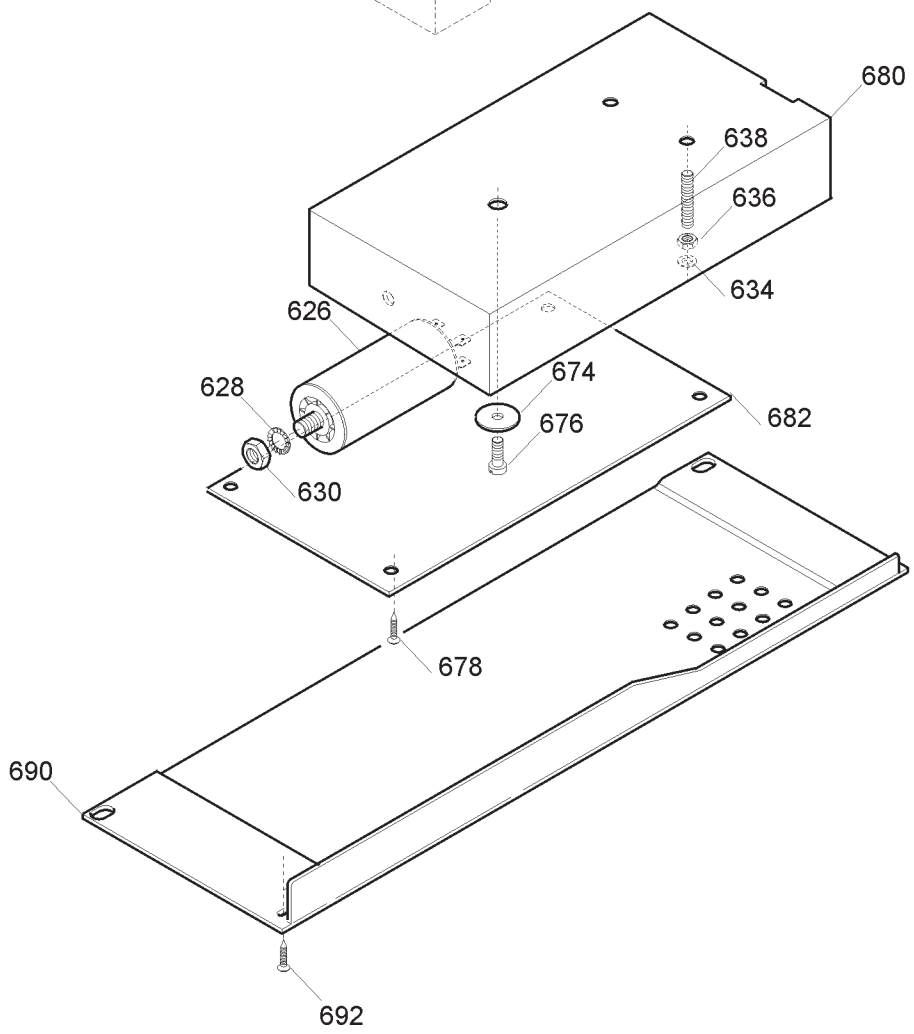
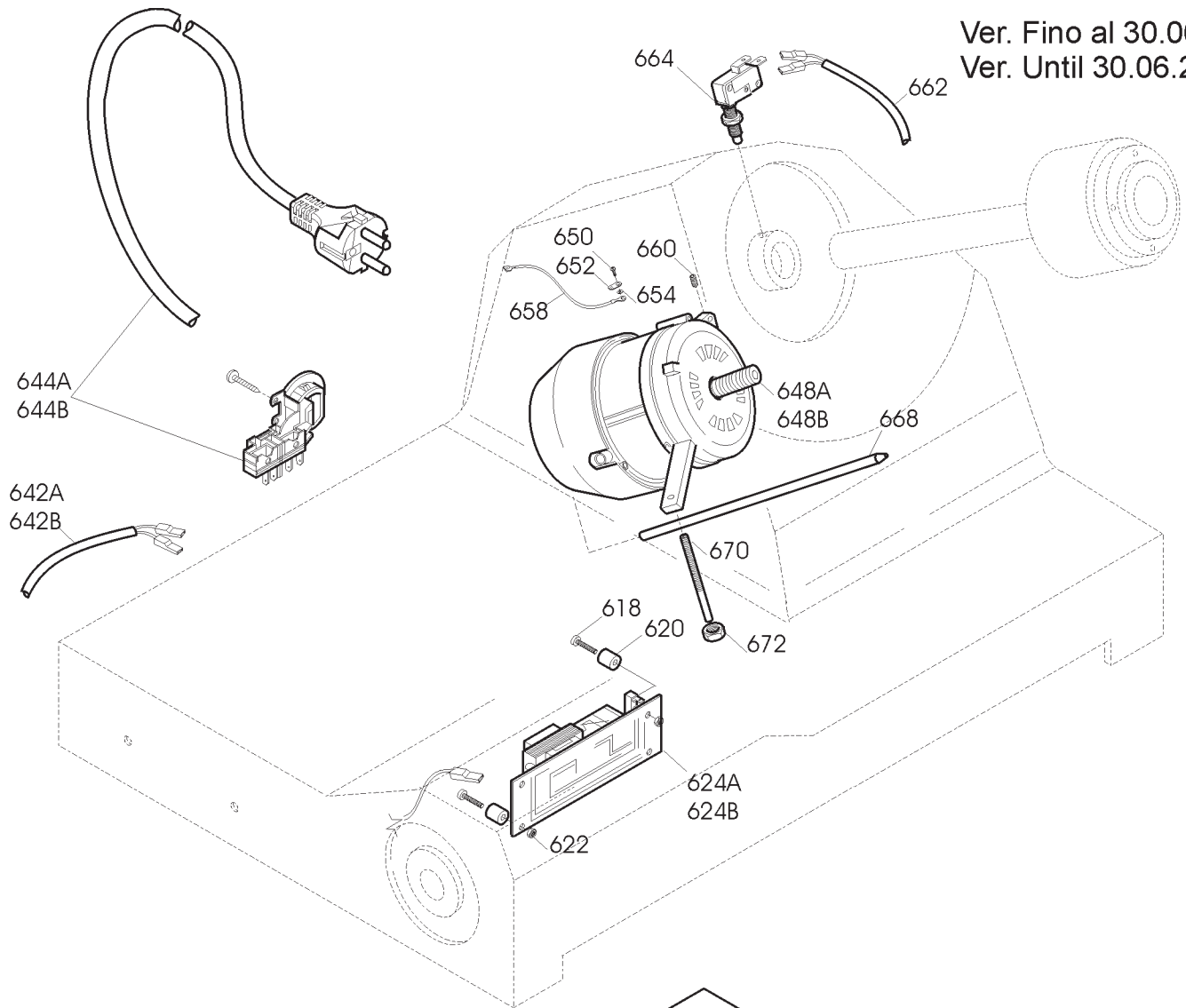


Ver. Dal 01.07.2000  
Ver. From 01.07.2000

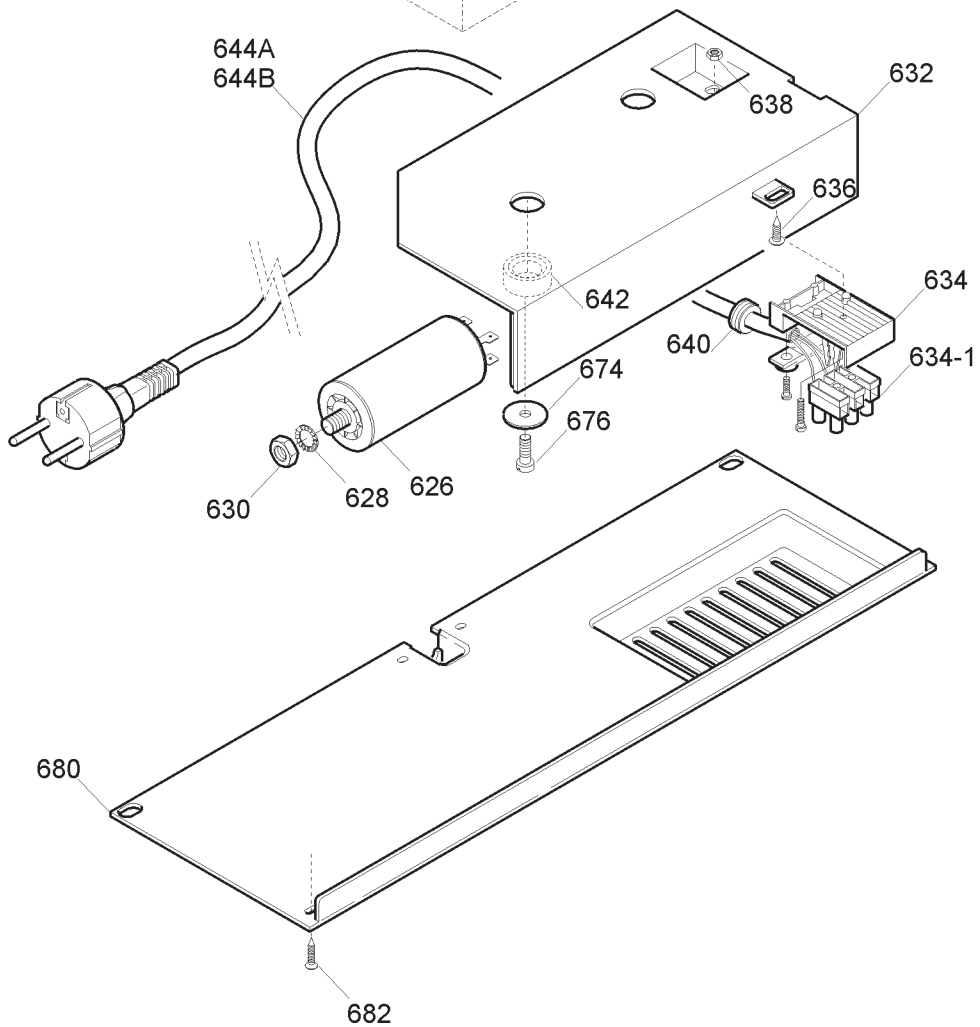
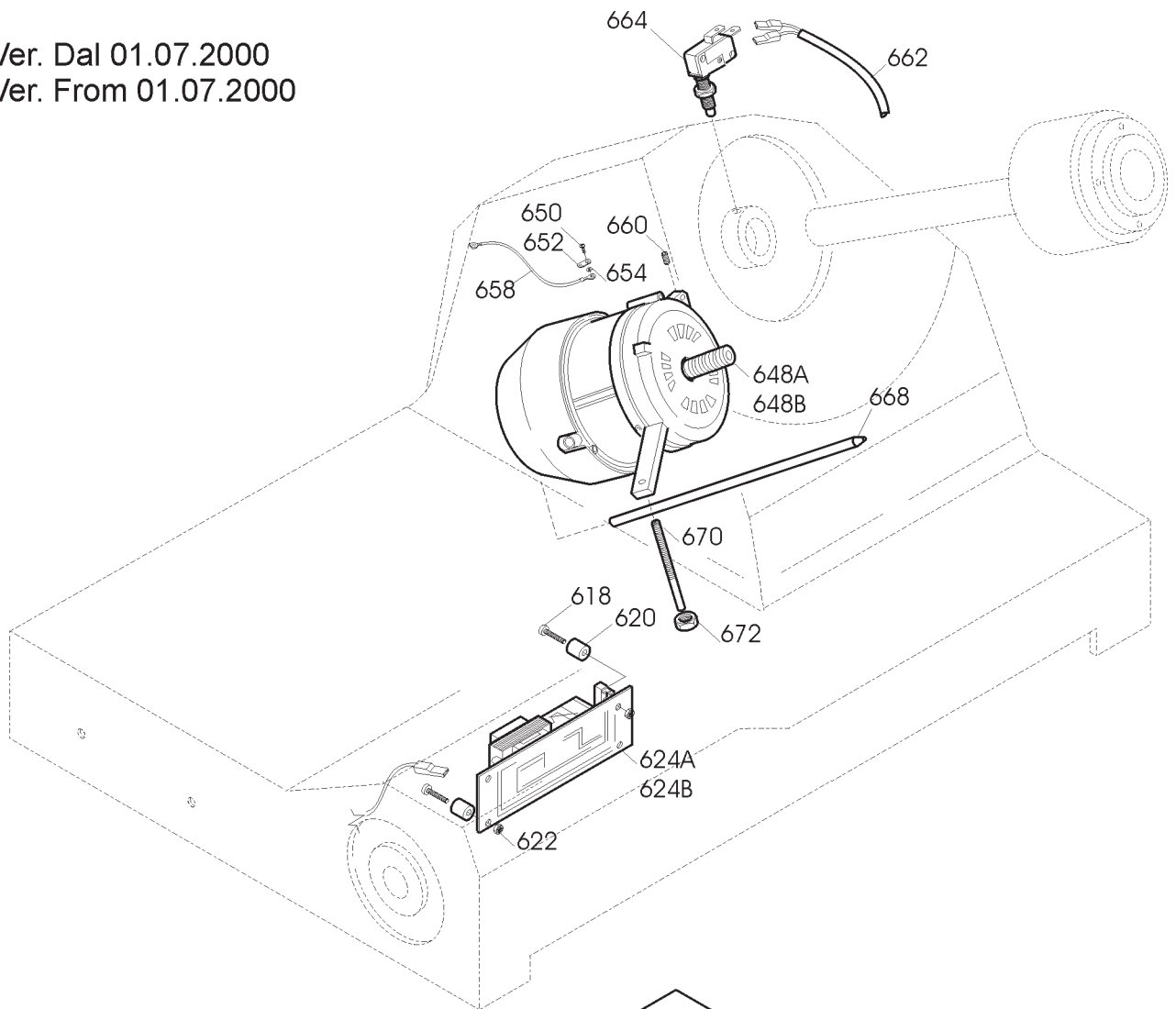


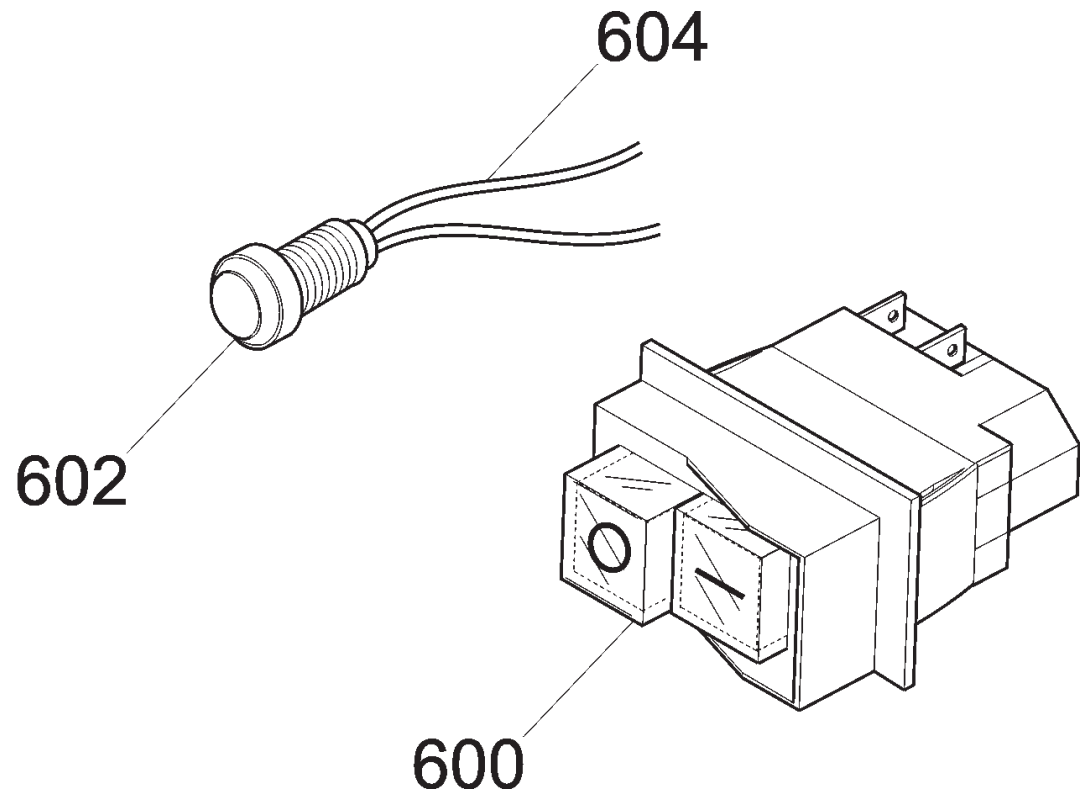


Ver. Fino al 30.06.2000  
Ver. Until 30.06.2000

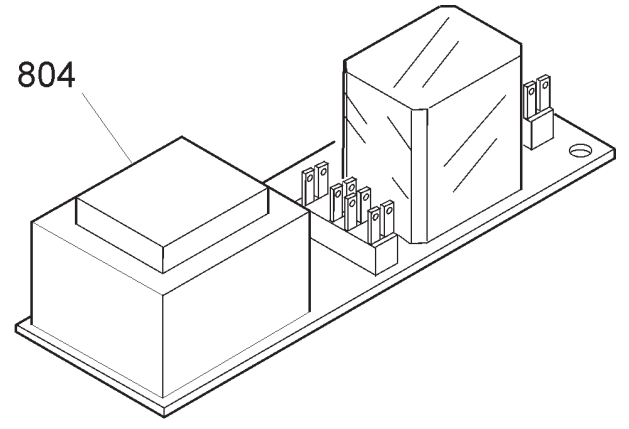
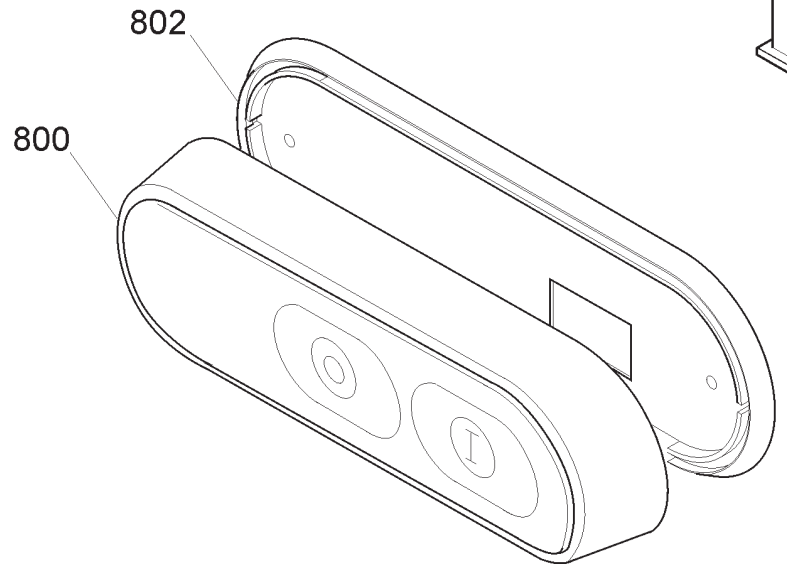


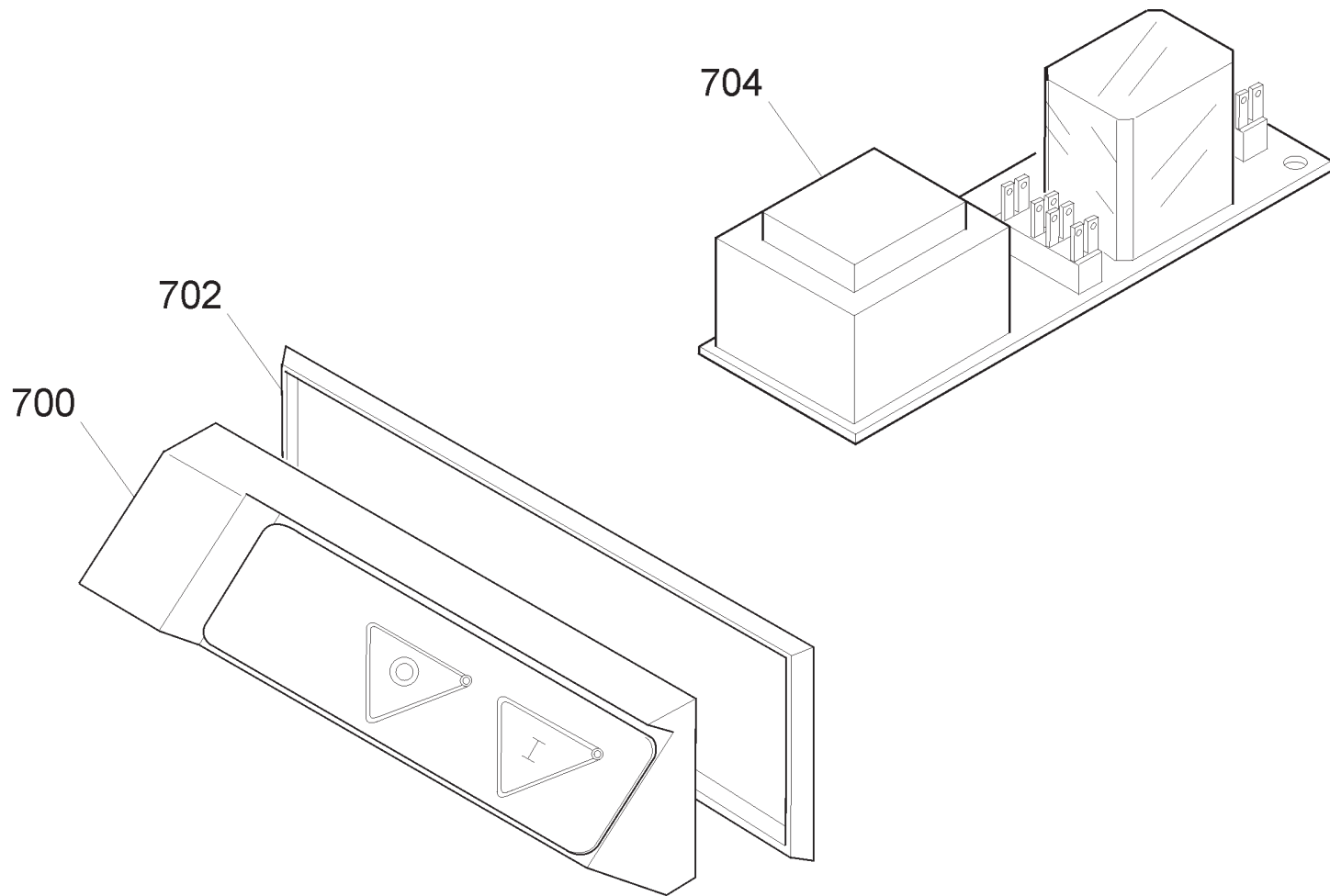
Ver. Dal 01.07.2000  
Ver. From 01.07.2000











Ref.	Product name	Code
600	ON/OFF SWITCH 230 V	19410152
602	380/220V PILOT LAMP	19410406

Electronic switch MIRRA 300 CE TAV. UNICA		
Ref.	Product name	Code
800C	SWITCH COVER WHITE	19702022
800B	PUSH-BUTTON PANEL BLUE	19702021
800A	PUSH BUTTON PANEL_ROUND	19702004
802	GASKET FOR ROUND CONTROL PANEL	19563034
804B	CIRCUIT BOARD 220-380 3-PHASE	19411008
804A	POWER CIRCUIT BOARD 230 V	19411007

Electronic switch MIRRA 300 CE TAV.UNICA		
Ref.	Product name	Code
700	PUSH-BUTTON PANEL "SMALL"	19702000
702	GASKET FOR SMALL CONTROL PANEL	19563030
704B	CIRCUIT BOARD 220-380 3-PHASE	19411008
704A	POWER CIRCUIT BOARD 230 V	19411007

MIRRA 300 CE TAV. 1/4		
Ref.	Product name	Code
2	FRAME SLICER MIRRA 275-300	SM500116
4	FOOT M5 FOR SLICER/CUTTER	19560201
6	INTERNAL BLADE GUARD MIRRA300 FRM09	19510235
14	QUADR.TIR.PARAL. MRR 275 CE/NORM/UL	SM133417
16	BLADE 300 12"- 40/3/254 CE	18300403254F
18	BLADE PROTECTION RING MIRRA 300	SM503403
22A	PULLEY FOR MIRRA 275-300	SM591519
22B	PULEGGIA MONTATA MRR 275-300 UK	SM5915194
24	BELT TB2 360X8	19310206
28	MICROSWITCH HOLDING RING _ MIRRA	19540901
34B	BLADE GUARD TIE ROD 275-300 (BLUE)	SM212740B
34C	BLADE GUARD TIE ROD 275-300 (GREY)	SM212740G
34A	BLADE GUARD TIE ROD _ MIRRA 275-300	SM212740
36	DEFLECTOR FOR SLICER MIRRA 300	SM501203
38	DEFLECTOR SCREW TGI350-390/MIRRA 30	SM110604
40	VELA ESTRUSA MRR 300 CE	SM504120
41	TABLE SCREW TQ 8MA L25_ MIRRA 300	SM17006004
58	TABLE SUPPORT FOR SLICER MIRRA 300	SM500318
64	THICKNESS PLATE SLIDE MIRRA 275-300	SM500218
66	SLIDE GUIDE_SLICER MIRRA 275-300	SM540118
78	TABLE SLIDE SPRING_ MIRRA 275-300	SM370111
80	SHAFT MRR 275-300	SM521218
90	SLIDE PIN-SCREW MIRRA 275-300	SM131918
92	CAM FOR MIRRA 275-300 CE (OLD)	SM190100011
96	CORRUGATED WASHER 12	19342005
102B	THICKNESS KNOB BLUE_ MIRRA	19564020
102A	THICKNESS ADJUSTING KNOB MIRRA	19562402
102C	GREY GRADUATED KNOB MIRRA	19564030

120	BLADE REMOVAL TOOL FOR SLICER 300	19702508
-----	-----------------------------------	----------

MIRRA 300 CE TAV. 2A/4		
Ref.	Product name	Code
202	PLATE FOR SLICER	19533200
204	PIASTRINA CARR. MRR 275-300	SM190830
206	PUSH ROD _ SLICER 300-385 CE	19565001
208	PIN _ SLICER 220-250 CE	19534034
212	SLIDE FOR MIRRA 275-300 CE	SM500618
214	BUSHING 18.20.20	19324108
224	RELEASE SPRING 220-250 CE	19390600
226	THREADED BUSH _ SLICER 220-250 CE	19534024
228	LOCKRING EXT. _ SLICER 220-250 CE	19534029
232	PIASTR. CARRELLO MRR 275-300	SM560718
236	BEARING AUT.626	19320101
242	SHAFT, CARRIAGE SLIDING FOR SLICER	19530612
244	SPRING 250-300	SM370104
246	VITE BARRA TONDA MRR 275-300	SM130201
248	SQUARE RAIL MIRRA 275-300	SM541918
254	RANELLA C/DENTATA MRR 275-300	SM210805
256A	SHANK KNOB FOR MIRRA 275-300	SM19014009
256B	BLUE HANDLE FOR LEG SLICER275-300	SM19014009B
256C	GREY LEG KNOB MIRRA CE 275-300	SM19014009G
258	PLATE SUPPORT FOR SLICER	SM500818
264	PRODUCT PLATE ASS.Y_MIRRA 300 OLD	SM10014001

MIRRA 300 CE TAV. 2B/4		
Ref.	Product name	Code
202	PLATE FOR SLICER	19533200
204	PIASTRINA CARR. MRR 275-300	SM190830
206	PUSH ROD _ SLICER 300-385 CE	19565001
208	PIN _ SLICER 220-250 CE	19534034
212	CARRELLO+BOCCOLE MRR 300CE	SM21002007
214	BUSHING 18.20.20	19324108
224	RELEASE SPRING 220-250 CE	19390600
226	THREADED BUSH _ SLICER 220-250 CE	19534024
228	LOCKRING EXT. _ SLICER 220-250 CE	19534029
232	PIASTR. CARRELLO MRR 275-300	SM560718
236	BEARING AUT.626	19320101
242	SHAFT, CARRIAGE SLIDING FOR SLICER	19530612
244	SPRING 250-300	SM370104
246	VITE BARRA TONDA MRR 275-300	SM130201
248	SQUARE RAIL MIRRA 275-300	SM541918
254	RANELLA C/DENTATA MRR 275-300	SM210805
256A	SHANK KNOB FOR MIRRA 275-300	SM19014009
256B	BLUE HANDLE FOR LEG SLICER275-300	SM19014009B
256C	GREY LEG KNOB MIRRA CE 275-300	SM19014009G
257B	MEAT PRESS HANDLE, BLUE _ MIRRA	19564019
257A	KNOB FOR MEAT PRESS/CARRIAGE	19562901
258	PLATE SUPPORT FOR SLICER	SM500818

264	MEAT TRAY _ MIRRA 275-300 FROM 2001	195104012
268	PLASTIC BUMPER FOR PUSHER MRR	19560101
270	SLIDING ROD QUARZO 300 FROM 2001	AMP270
274	BUSHES 12.14.12 FOR SLICER FRM 2001	19324102
278	MEAT PRESS BUFFER D8,5XH36	19563206
280	MEAT PRESS MIRRA-QUARZO275/300 F.01	SM11016007
282	MEAT PRESS SPACER D14X121	19541509
284B	MEAT PRESS HANDLE - BLUE	19564012
284A	MEAT PRESS KNOB FOR SLICER CE	19562904
286	HAND GUARD SPACER D.20X31MM _SLICER	19521603
288	STUD BOLT M5X47 _HAND GUARD _SLICER	19336006
290	WASHER 5 X 20	AVA290
292	BLIND NUT M5	AVA292
294	HAND GUARD FOR A-Q-M 275-300	19562324

MIRRA 300 CE TAV. 3/4		
Ref.	Product name	Code
-	SHARPENER QZR/MRR CE 300	SM21005007
402	SHARPENER COVER, SLICER 275-300	SM501501
404B	KNOB FOR SLICER BLU	19564018
404A	SHARPENER KNOB _ MIRRA 275-300	SM211413
410	SPRING - SHARPENER 250-300	SM370101
412	PERNO SBAVATURA TG 250-300	SM570101
416	DEBURRING STONE _ MIRRA 275-300	SM260102
419	SFERA DA 3/16 MRR 275-300	SM310511
424	ROD FOR SHARPENING STONE	SM570201
426	PULSANTE SBAVAT. TG 250-300	SM561001
427	VITE PULS. AFFIL. MRR 275-300	SM150401
430	SHARPENER LOCKING KNOB	SM592400
436	SHARPENER HOLDER FOR MIRRA 300	SM501303
442	COLONNINA FERSATA TG 250-300	SM540501
450	STUD BOLT M5 X 30	19336003
456	CORPO AFFIL. MRR 275-300	SM501401
464	SFERA AFFIL. TG 250-300	SM310510
468	PULSANTE AFFILATURA TG 250-300	SM561101
470	SHARPENING STONE _ MIRRA 275-300	SM260101

MIRRA 300 CE TAV. 4A/4		
Ref.	Product name	Code
624B	CIRCUIT BOARD 220-380 3-PHASE	19411008
624A	POWER CIRCUIT BOARD 230 V	19411007
626	CAPACITOR 8UF FOR MIRRA	19410301
634	PRESSACAVO PA 205 X AFF. MONOFASE	19410803
642A	CAVET.ALIM PULS-PA 205 AFF MN	19410718
642B	CAVET.ALIM PULS-PA 205 AFF TF	19410719
644A	POWER CORD SUKO PA 205	19410530
644B	POWER CORD, 3PH	19410536
648A	MOTOR 230V FOR MIRRA 275-300	SM400108
648B	MOTORE MRR 275-300 400V./TF	SM402215
658	GROUND WIRE UL _ MIRRA 220-250	19410738

662	MICROSWITCH WIRING F.SLICER 300-370	19410703
664	MICROSWITCH SINGLE-PHASE	19410201
668	PERNO MOTORE MRR 275-300	SM540718
682	Relay cover	19563112
690	COPERTURA INF.INOX MRR 275-300	SM541201

MIRRA 300 CE TAV. 4B/4		
Ref.	Product name	Code
624B	CIRCUIT BOARD 220-380 3-PHASE	19411008
624A	POWER CIRCUIT BOARD 230 V	19411007
626	CAPACITOR 8UF FOR MIRRA	19410301
632	ELECTRICAL HOUSING FOR SLICER	19563125
634-1	TERMINAL BLOCK 3 POLES 27	19410822
634	SUB-TERMINAL PA 228	19410820
642	WIRE HOUSING SPACER RING	19561500
644A	SUPPLY CORD SINGLE-PHASE "SHUKO"	19410502
644B	THREE-PHASE ITALIA UNI POWER CORD	19410506
648A	MOTOR 230V FOR MIRRA 275-300	SM400108
648B	MOTORE MRR 275-300 400V./TF	SM402215
658	GROUND WIRE UL _ MIRRA 220-250	19410738
662	MICROSWITCH WIRING F.SLICER 300-370	19410703
664	MICROSWITCH SINGLE-PHASE	19410201
668	PERNO MOTORE MRR 275-300	SM540718
670	COMPOUND SCREW M5X40 MOTOR 250	19336018
680	BASE COVER MIRRA 300	19563152