

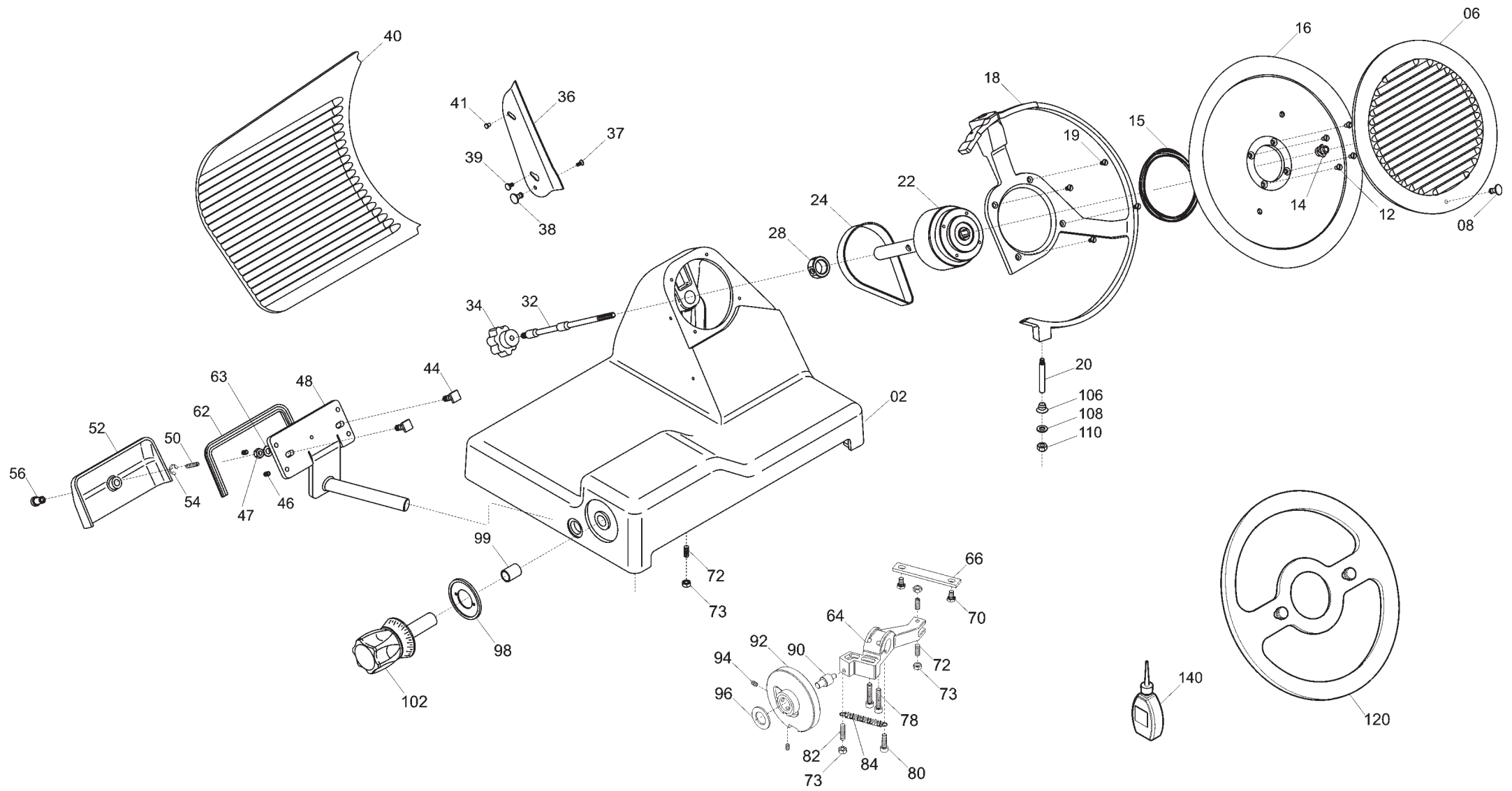
07/2015

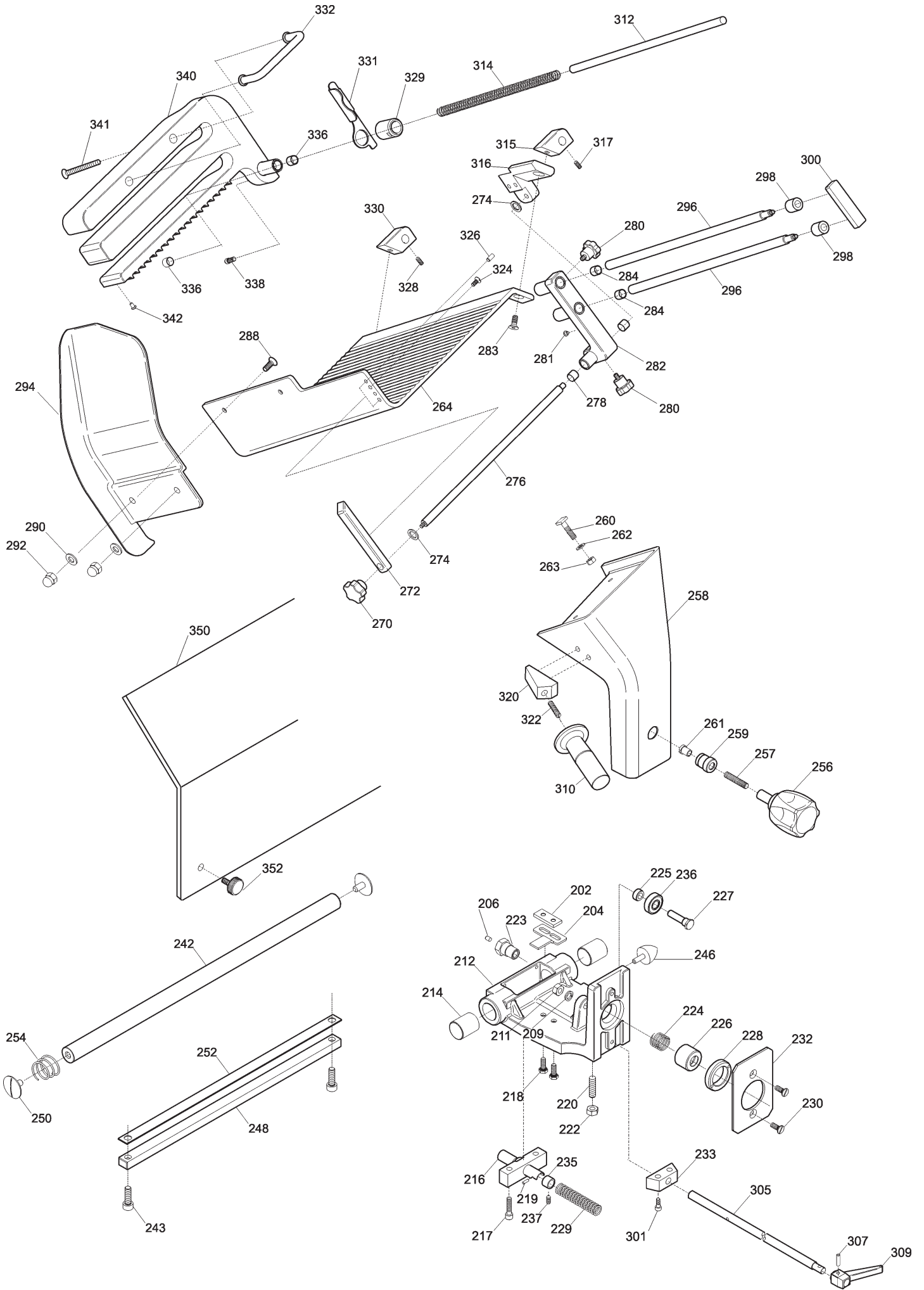
Mod: 350/AVV

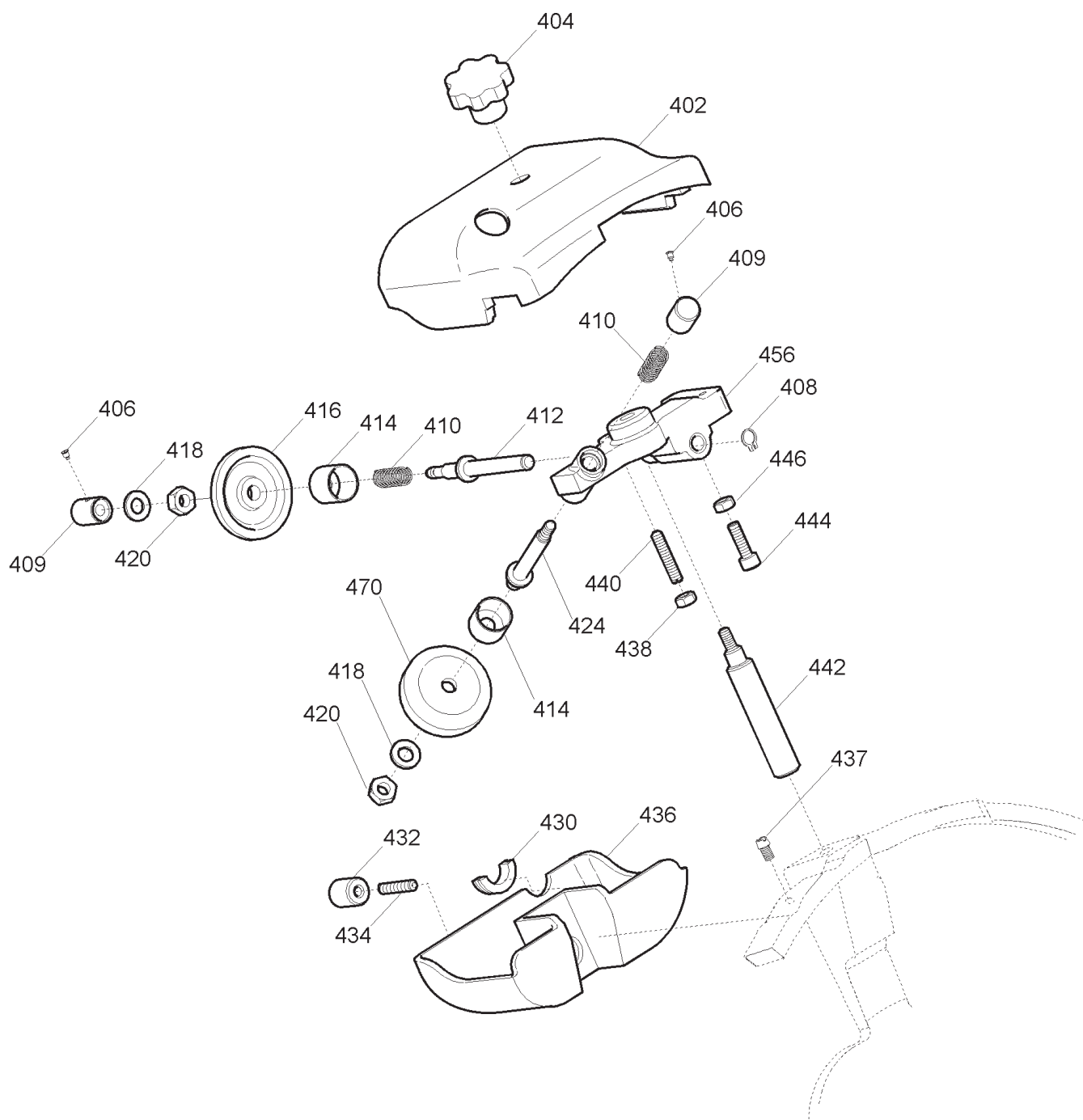
Production code: 15354C4R12VHL

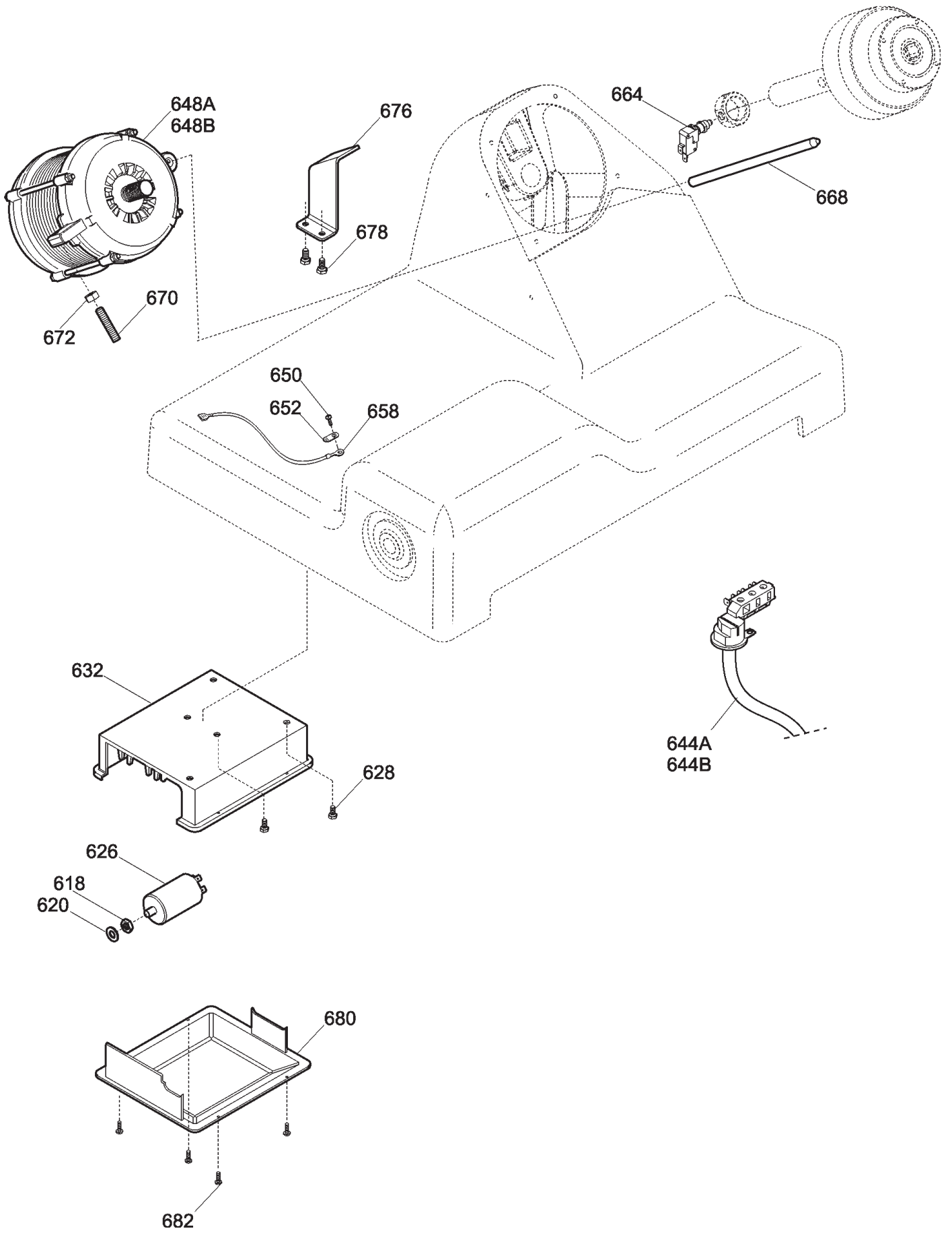


Diamond
catering equipment

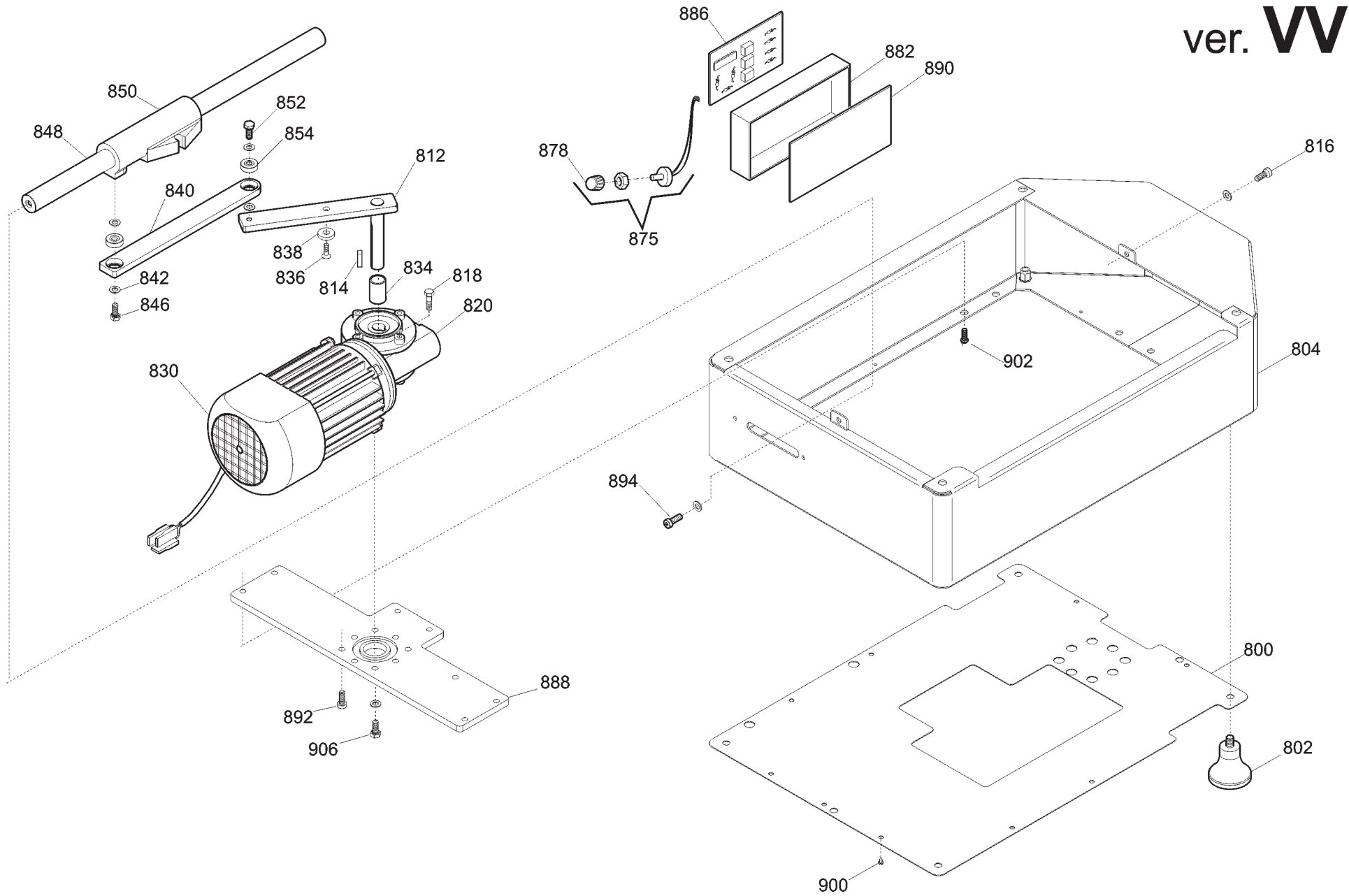


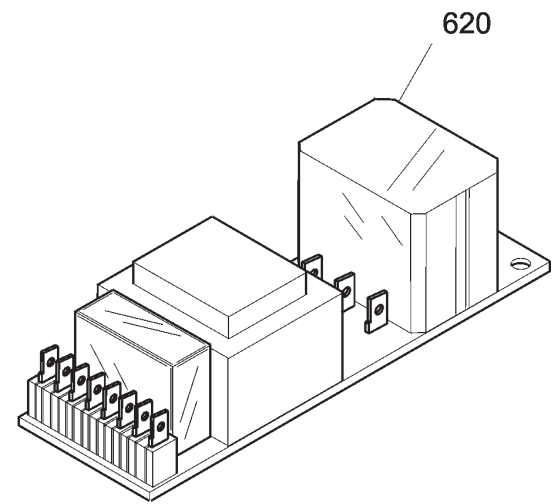
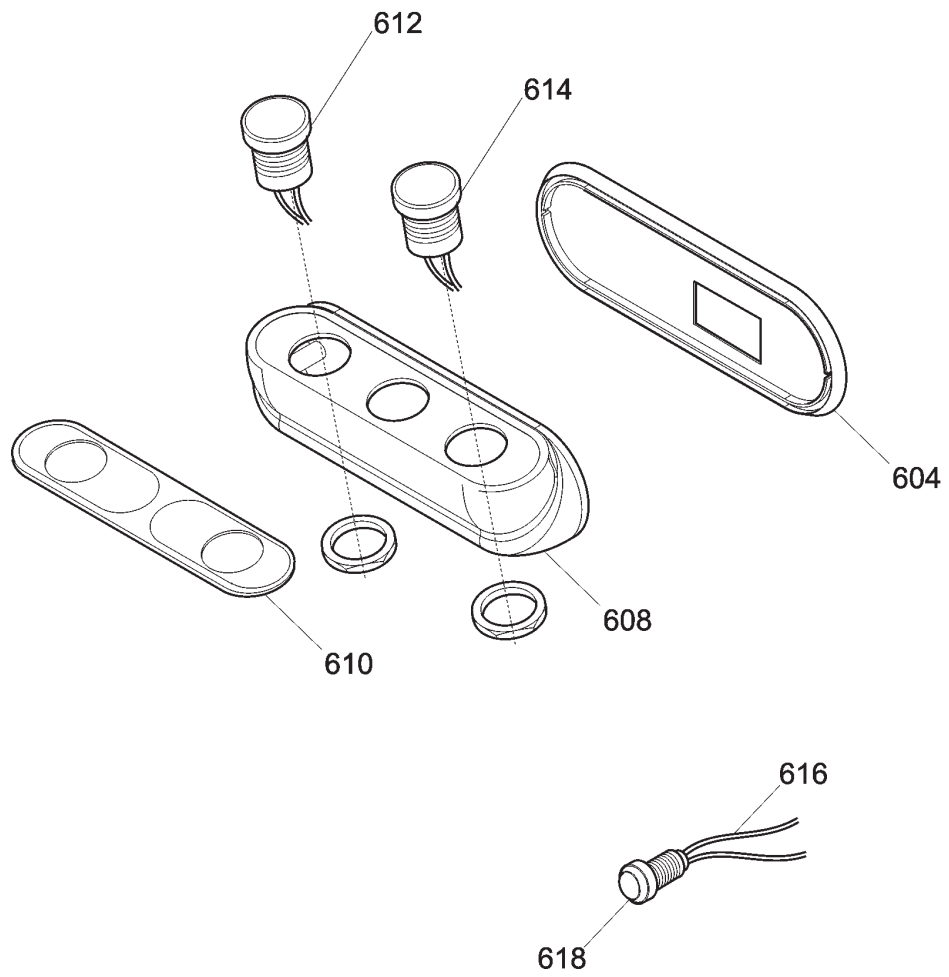






ver. **W**





Electronic switch PALLADIO 350 AUTOMECC CE TAV. UNICA		
Ref.	Product name	Code
-	PUSH-BUTTON PANEL ASS.Y OPERA	19702034
604	GASKET FOR ROUND CONTROL PANEL	19563034
608	HOUSING FOR CONTROL PANEL OPERA	19563123
610	LABEL _ PUSH BUTTON PANEL OPERA/IT	19420164
612	BLACK PUSH BUTTON N.O.	19410140
614	WHITE PUSH BUTTON N.O.	19410142
616	WIRING - PILOT LAMP	19410750
618	380/220V PILOT LAMP	19410406
620A	PRINTED CIRCUIT BOARD 230-110 V	19411102
620B	PRINTED CIRCUIT BOARD 400 V	19411103

PALLADIO 350 AUTOMECC CE Tav.1/5		
Ref.	Product name	Code
02T	CASSA 300-330-350 PLD CERAM.	1903T0160
2	BASE/FRAME_PALLADIO 300-330-350	19510160
6	BLADE COVER Y08 SLICER 350	19510257
06T	INTERNO LAMA Y08 LNR 350 CERAM.	1903T0257
8	BLADE COVER KNOB FOR SLICER	19021110
12	SCREW TSP-DIN 963 M 5X14	IX2963005014
13	SCREW TSP-DIN 963 M 4X12	IX2963004012
14	LOCK NUT 250-330	19530905
15	SEAL NBR_SLICER PALLADIO 330-350	195621360
16	BLADE 350 - 57/4/280 CE	18350574280F
16T	BLADE 350 - 57/4/280 TEFLON CE	18350574280TF
18	RIM GUARD, PLD 350	19513062
18T	AN.PR.LAMA 350 PLD CERAM.	1903T3062
22	PULLEY ASSEMBLY_SLICER PALLADIO 300	19700360
24	BELT TB2 380X10	19310207
28	MICROSWITCH HOLDER RING FOR SLICER	19540905
29	SCREW DIN 916 M 8X10 NE	NE0916008010
32	BLADE GUARD TIE ROD_SLICER 300-330	19530507
34	TIE ROD KNOB M 8 - GREY	19564023
36	PARAFETTA PLD LAMA 350	19531042
37	SCREW TSP-DIN 963 M 4X08	IX2963004008
38	KNOB FOR SLICE DEFLECTOR_SLICER	19021156
39	PRONG SHOULDER SCREW FOR SLICER	19336052
40T	VELA 350 PLD CERAM.	1903T0362
40	VELA 350 PLD OSSIDATA	19510362
41	PRONG SHOULDER SCREW FOR SLICER	19336052
44	SCREW TQ 8X29_SLICER PALLADIO 300	193350055
46	VITE SENZA TESTA DIN 913 M 8X10 CE	IX2913008010
47	HEX.NUT DIN 934 M8	IX2934008
48	TABLE SUPPORT FOR SLICER PALLADIO	19530760
50	VITE SENZA TESTA DIN 913 M 6X20 CE	IX2913006020
52	COVER, TABLE SUPPORT_SLICER PALLADIO	19512260
54	ANELLI D ARRESTO DIN 471 D 08E	IX2471008
56	KNOB FOR COVER_SLICER	191M335021

62	COVER GASKET_SLICER PALLADIO 300	19563060
63	WASHER DIN 125 D 8	IX2125008
64	THICKNESS PLATE SLIDE PALLADIO 300	19500150
66	TABLE SLIDE GUIDE FR SLICER 300-370	19540609
70	SCREW TE DIN 933 M 6X12 T.F.	IX2933006012
72	STUD BOLT M6 X 17 FOR SLICER	19337032
73	HEX.NUT DIN 934 M 6	IX2934006
78	SCREW TCEI DIN 912 M 6X30	IX2912006030
80	SCREW TCEI DIN 912 M 6X20	IX2912006020
82	STUD BOLT 6X25 FOR SLICER	19337002
84	SPRING FOR SLICER	19390760
90	SLIDE ROD PLD CNV FROM 2008	19336073.08
92	CAM + NEEDLE-ROLLER - PLD, CNV	19563570
94	GRUB SCREW DIN 916 M 6X8 NE	NE0916006008
96	CORRUGATED WASHER 19	19342006
98	SLEEVE, DIAL KNOB D80MM	19562454
99	BUSHING 18.20.20	19324108
102	DIAL KNOB, L53 GREY PLD MNT CNV	19564035
106	HOLDING RING NUT _ MIRRA 250	19534062
108	RONDELLA F.LARGA DIN 9021 D 8X24	IX29021008024
110	HEX.NUT DIN 934 M8	IX2934008
120	BLADE REMOVAL TOOL 350	19702512
140	OIL BOTTLE	19563008

PALLADIO 350 AUTOMECC CE Tav.2/5		
Ref.	Product name	Code
202	PLATE FOR SLICER	19533200
204	LPLATE,CARRIAGE RELEASE_ PALL. 300	19533260
206	PUSH ROD _ SLICER 300-385 CE	19565001
209	WASHER DIN 125 D 8	IX2125008
211	HEX.NUT DIN 934 M8	IX2934008
212	CARRIAGE SLIDE_SLICER PALLADIO 300	19500560
214	BUSH 22.25.30 FOR SLICER	19324106
216	TUBO+QUAD SGANCIO AFF. AUTOM.	19541760
217	VITE TCEI DIN 912 M 6X35	IX2912006035
218	SCREW TCEI DIN 912 M 6X20	IX2912006020
219	SPINA CONICA DIN 1 3X12	IX20001003012
220	STUD BOLT M8 FOR SLICER LEONARDO	19337054
222	HEX.NUT DIN 934 M8	IX2934008
223	HEX ROD,CARRIAGE RELEASE_SLICER	19534036
224	CARRIAGE RELEASE SPRING FOR SLICER	19390601
225	SPACE WASHER	19346015
226	RELEASE BUSHING FOR SLICER 300-330	19534025
227	BEARING ROD FOR SLICER 250-330	19540805
228	LOCKRING(EXT THREADING)FOR SLICER	19534030
229	Gauge movement spring FOR SLICER	19390205
230	VITE TE DIN 933 M 6X16 T.F.	IX2933006016
232	CARRIAGE PLATE FOR SLICER 300-330	19533007
233	BLOCCH.ASTINA SGANCIO AUT.300/330	19521122
235	BUSSOLA FERMA MOLLA SGANC.AUT	19534040

236	BEARING FOR SLICER 6000 2RS R11	19320154
237	GRUB SCREW DIN 916 M 5X6 NE	NE0916005006
242	CARRIAGE ROUND BAR 22X495_SLICER	19530607
243	VITE TCEI DIN 912 M 8X20	IX2912008020
246	SLIDE BUMPER LEONARDO 350-385	19560154
248	SQUARE RAIL FOR SLICER 300-330	19540107
250	ROUND BAR CHROME SCREW 26	19335002
252	HARDENED PLATE FOR SLICER 300-330	19530807
254	SPRING_ROUND RAIL_SLICER 300-330 CE	19390117
256	GREY KNOB LEG M10	19564022
257	VITE SENZA TESTA DIN 913 M 10X50 CE	IX2913010050
258	CARRIAGE SHANK _ PLD 300-330-350	19510660
259	S/S BUSHING _ 300/PALLADIO	19534020
260	SQUARE STUD TQ 8X38 FOR SLICER 350	19335007
261	BUSHING FOR SLICER 300-370 CE	19534016
262	RONDELLA F.LARGA DIN 9021 D 8X24	IX29021008024
263	HEX.NUT DIN 934 M8	IX2934008
264A	PIATTO PLD NETTUNO 300 OSSIDATO	19510419
264B	PIATTO PLD NETTUNO 300 Y11 OSSIDATO	19510419.11
270	TIE ROD KNOB M6X5 FOR MIRRA	19562502
272	BLOCCH.SCORRIM.SPOND.NETTUNO GLL	19526065
274	RUBBER BUFFER D.12 FROM 2001	19560103
275	SCREW TSP DIN 963 M 6X14	IX2963006014
276	ASTINA.SCORR.SPOND.NETT.PLD 300	19530424
278	BUSHES 12.14.12 FOR SLICER FRM 2001	19324102
279	STUD BOLT 6X25 FOR SLICER	19337002
280	TIE ROD KNOB M6X5 FOR MIRRA	19562502
281A	MOVEMENT HEAD D8,5XHT2 FOR SLICER	19563201
281b	PRIGIONIERO PLASTICA M6X30 GLL	19566864
282	SUPPORTO ASTE NETTUNO GLL OSS.	19510521
283	SCREW TSPEI DIN 7991 M 8X20	IX27991008020
284	BOCCOLE AUTOLUBR.12.14.16	19324104
288	FLAT HEAD SCREW FOR HAND GUARD	19335064
290	RONDELLA F.LARGA DIN 9021 D 8X24	IX29021008024
292	TAMPER PROOF NUT	19363560
294	HAND GUARD FOR PALLADIO/CANOVA 300	19562342
296B	ASTA BLOCCA PRODOT.NETT.GLL 350-385	19530422
296A	ASTA BLOCCA PRODOT.NETT.PLD 300	19530425
298	DISTANZ.IMPUGNATURA SPOND. GLL	19533964
300	BLOCCH.IMPUGN.SPONDINA NETTUNO GLL	19526064
301	SCREW TCEI DIN 912 M 6X20	IX2912006020
305	RELEASE SHAFT AUTOMATICA 300-330	19531330
309	RELEASE KNOB FOR AUTOMATICA	19562920
310	GREY KNOB MEATPRESS	19564021
312B	ASTINA STAFFA PIAT.NETT.GLL 350-385	19530420
312A	ASTINA STAFFA PIAT.NETT.PLD 300	19530423
314B	SPRING, END WEIGHT NETTUNO L=403	19390408
314A	MOLLA ASTINA 12 NETTUNO PLD 300	19390407
315	BLOCCH.DRITTO ASTINA NETT.PLD 300	19525073
316	BLOCCH.MAGG.PIATTO NETT.PLD 300 OSS	19525072

317	GRUB SCREW DIN 916 M 5X6 NE	NE0916005006
320	BLOCCH.IMPUG.LNR+VAS DAL 04	19525052
322	STUD BOLT FOR SLICER M10	19336038
322	VITE SENZA TESTA DIN 913 M 10X40 CE	IX2913010040
324	SCREW TSP DIN 963 M 6X14	IX2963006014
328	GRUB SCREW DIN 916 M 5X6 NE	NE0916005006
329	BUSHING	19530865
330	BLOCCH.DRITTO ASTINA NETT.PLD 300	19525073
331	STAFFETTA BLOCC.STAFFA NETT.GLL PAL	19530864P
332	END WEIGHT HANDLE NETTUNO	19538864
335	END WEIGHT BACK WASHER NETTUNO	19563270
336	BUSHES 12.14.12 FOR SLICER FRM 2001	19324102
338	BUFFER NETTUNO GALILEO	19563220
340	END WEIGHT 300 PALLADIO NETTUNO	19511719
341	VITE TSP- DIN 963 M 5X60	IX2963005060
342	PARACOLPO SCOR.MRR SV300 D8,5XHT3,2	19563232
350	PROTEZIONE GAMBO PLD AUTMC	19531710
352	SHARPENER KNOB M5	19562701
353	VITE SENZA TESTA DIN 913 M 5X20 CE	IX2913005020

PALLADIO 350 AUTOMECC CE tav.3/4		
Ref.	Product name	Code
402T	CAPPOTT. 300-385 LNR CE CERAM.	1903T1252C
402	SHARPENER HOUSING_LEON/PALL 300-385	19511252C
404	KNOB M6, GREY	19564029F
406	BUTTON SCREW _ SLICER 250-370	19335025
408	ANELLI D ARRESTO DIN 471 D 08E	IX2471008
409	DEBURRING PUSH BUTTON FOR SLICER	19550208
410	SHARPENER PINS SPRING FOR SLICER	19390309
411	GRUB SCREW DIN 916 M 6X8 NE	NE0916006008
412	DEBURRING PIN FOR SLICER 330-370	19540709
413	NUT ES. DIN 439 M 6 BASSO	IX2439006
414	BUSHING_LEONARDO/PALL.USA	19540718
415	WASHER DIN 125 D 6	IX2125006
416	DEBURRING STONE D.50 H.8 F.8	19300209
418	WASHER DIN 125 D 8	IX2125008
420	HEX.NUT DIN 934 M8	IX2934008
421	DADO ES. DIN 439 M 8 BASSO	IX2439008
424	SHARPENING STUD FOR SLICER 330-370	19540708
430	VIBRATION DAMPER	19560152
432	THUMB SCREW SHARPENER _ LEONARDO	19335023
434	VITE SENZA TESTA DIN 913 M 6X20 CE	IX2913006020
436T	VASC.AFF.300-385 LNR CERAM.	1903T1253C
436	BOTTOM ENCLOSURE_LEONARDO 300-385	19511253C
437	VITE RISCONT.CONICA ANELLO DAL 09	19336055.09
438	HEX.NUT DIN 934 M 6	IX2934006
440	VITE SENZA TESTA DIN 913 M 6X30 CE	IX2913006030
442	PERNO COL.AFFILATOIO FRESATO LNR	19540452.09
444	LOCK BOLT FOR SHARPENER_LEONARDO	19336056
446	HEX.NUT DIN 934 M 6	IX2934006

456	SHARPENER FOR LEONARDO 300-385	19021352
470	SHARPENING STONE D.48 H15 Y10	19300108C.10

PALLADIO 350 AUTOMECC CE Tav.4/5		
Ref.	Product name	Code
618	DADO ES. DIN 439 M 8 BASSO ZINC.	ZN439008
620	WASHER DIN 125 D 8	IX2125008
626	CAPACITOR FOR SLICER 10UF	19410307
628	VITE TE DIN 933 M 6X08 T.F.	IX2933006008
632	RELAIS BOX FOR SLICER	19563127.09
644A	POWER CORD SUKO PA 205	19410530
644B	POWER CORD, 3PH	19410536
648A	MOTOR 300 D17 P 80 230/50/1	1940010780
648B	MOTORE A.GR.63 4P B14 HP.0,25 380	19401723
650	VITE AUTOF.TCB+ DIN 7981 D 3,9X9,5	IX279813,9009,5
651	WASHER DIN 6798-A D 4E	IX26798A004
652	GROUND LABEL	19420177
658	GROUND WIRE UL FOR SLICER 300-385	19410739
664	MICROSWITCH SINGLE-PHASE	19410201
668	MOTOR ROD FOR SLICER	19540560
670	VITE SENZA TESTA DIN 913 M 8X40 CE	IX2913008040
672	HEX.NUT DIN 934 M8	IX2934008
676	SUPPORT FOR MOTOR_SLICER	19540360
678	VITE TE DIN 933 M 6X10 T.F.	IX2933006010
680	BOX COVER FOR SLICER +	19563148.09
682	VITE AUTOF.TCB+ DIN 7981 D 3,5X13	IX279813,5013

PALLADIO 350 AUTOMECC CE Tav.5/5		
Ref.	Product name	Code
800	PROTEZIONE INF. PLD AUTOMECC Y10	19531662.10
802	FOOT M8 FOR SLICER 275-370	19560202
804	MANT.PORT. AUT. PLD AUTOMECC Y10	19534135.10
812	MANOVELLA RIDUT. PLD AUTOMECC	19541725
813	WASHER DIN 125 D 6	IX2125006
814	CHIAVETTA 5 X 5 X 45 AUT. 300	19365010
816	VITE TCEI DIN 912 M 6X14	IX2912006014
820	REDUCER VF30 P1 40 P63 B14 B3_AUTOM	19401800
830	MOTOR A.GR.63 4P B14 HP.0,25 230 V	19401720
834	SPESSORE MANOV. AFF. AUTOM 300	19534043
840	BIELLA CARR.GHIS.PLD AUTOMECC	19541715
842	WASHER DIN 125 D 6	IX2125006
843	RONDELL. SPESS. DIN 988 7X13X0,5	IX29880701300,5
846	VITE TE DIN 933 M 6X14 T.F.	IX2933006014
848	ROUND RAIL - AUTOMATICA 300/330	19530618
850	CARRELLO GHISA LAV.AUT.300-330	19551500L
852	VITE TE DIN 933 M 6X14 T.F.	IX2933006014
854	BEARING AUT.626	19320101
854	RONDELL. SPESS. DIN 988 7X13X0,5	IX29880701300,5
888	PIASTRA SUPP.MOT PLD AUTOMC LAV	19541615L
891	WASHER F.LARGE DIN 9021 D 6X18	IX29021006018

892	VITE TCEI DIN 912 M 6X16	IX2912006016
893	WASHER F.LARGE DIN 9021 D 6X18	IX29021006018
894	VITE TCEI DIN 912 M 6X14	IX2912006014
900	VITE TSP+ DIN 965 M 4X08 ZINC	ZN965004008
902	VITE TCEI DIN 912 M 8X16	IX2912008016
906	VITE TCEI DIN 912 M 6X14	IX2912006014

PALLADIO 350 AUTOMECC CE Tav.5/5a		
Ref.	Product name	Code
800	PROTEZIONE INF. PLD AUTOMECC Y10	19531662.10
802	FOOT M8 FOR SLICER 275-370	19560202
804	MANT.PORT. AUT. PLD AUTOMECC Y10	19534135.10
812	MANOVELLA RIDUT. PLD AUTOMECC	19541725
813	WASHER DIN 125 D 6	IX2125006
814	CHIAVETTA 5 X 5 X 45 AUT. 300	19365010
816	VITE TCEI DIN 912 M 6X14	IX2912006014
820	REDUCER VF30 P1 40 P63 B14 B3_AUTOM	19401800
830	MOTOR S.GR.63 B14 2900 W.240 180	19401721
834	SPESSORE MANOV. AFF. AUTOM 300	19534043
840	BIELLA CARR.GHIS.PLD AUTOMECC	19541715
842	WASHER DIN 125 D 6	IX2125006
843	RONDELL. SPESS. DIN 988 7X13X0,5	IX29880701300,5
846	VITE TE DIN 933 M 6X14 T.F.	IX2933006014
848	ROUND RAIL - AUTOMATICA 300/330	19530618
850	CARRELLO GHISA LAV.AUT.300-330	19551500L
852	VITE TE DIN 933 M 6X14 T.F.	IX2933006014
854	RONDELL. SPESS. DIN 988 7X13X0,5	IX29880701300,5
875	POTENTIOMETER AUTOMATICA SUPER	19414070
878	SPEED REGULATOR KNOB _AUTOM.SUPER	19562922
882	Relay box	19563111
886	MOTOR PCB FOR AUTOMATICA VV/S	19414000
888	PIASTRA SUPP.MOT PLD AUTOMC LAV	19541615L
890	Relay cover	19563112
891	WASHER F.LARGE DIN 9021 D 6X18	IX29021006018
892	VITE TCEI DIN 912 M 6X16	IX2912006016
893	WASHER F.LARGE DIN 9021 D 6X18	IX29021006018
894	VITE TCEI DIN 912 M 6X14	IX2912006014
900	VITE TSP+ DIN 965 M 4X08 ZINC	ZN965004008
902	VITE TCEI DIN 912 M 8X16	IX2912008016
906	VITE TCEI DIN 912 M 6X14	IX2912006014