

07/2015

# **Mod: 350/GXS**

**Production code: 15354C1R02IHL**

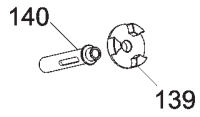


**Diamond**  
catering equipment



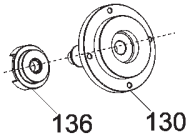
Dal / From 08/2012

fino al / until 06/2013  
ref. 140+139

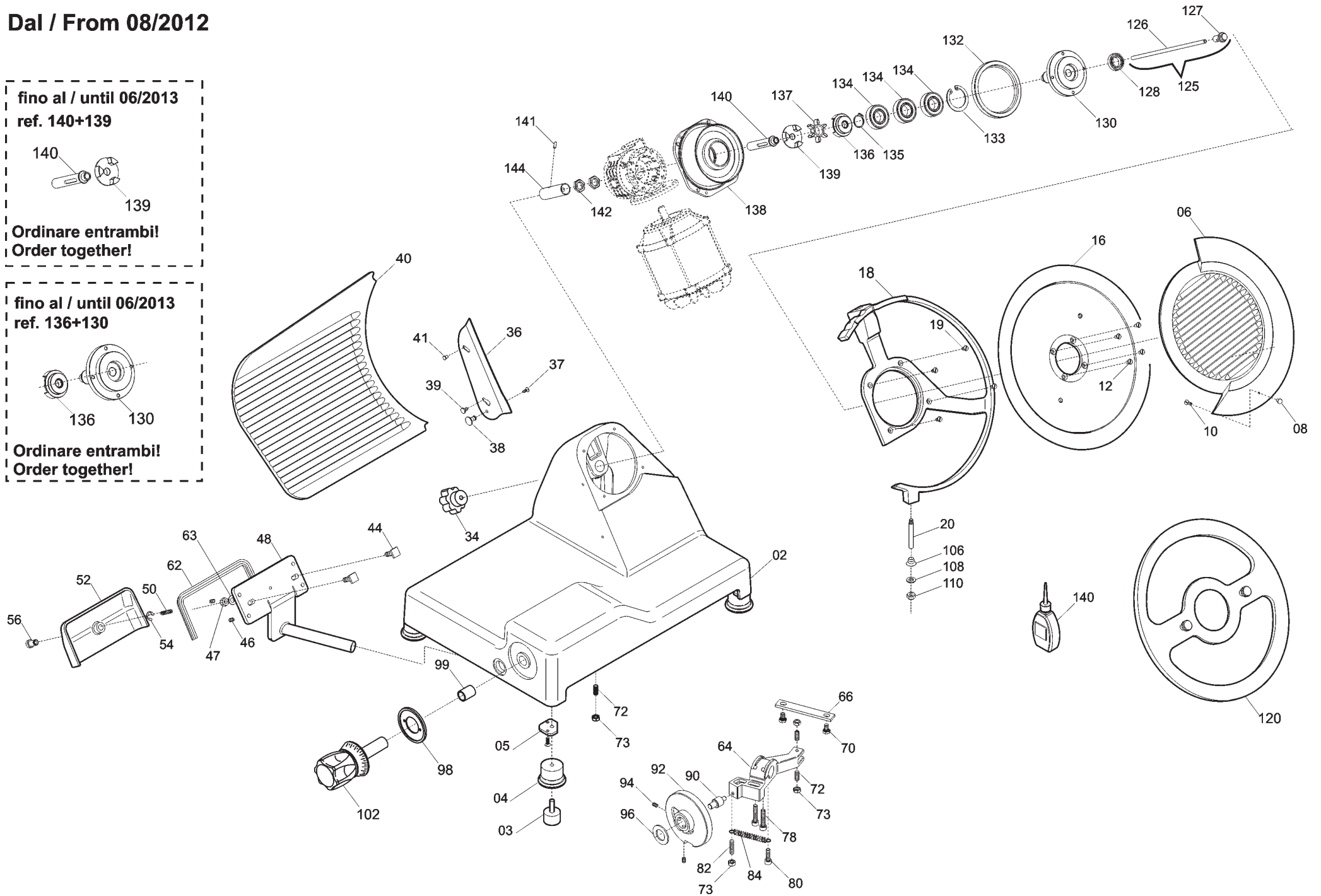


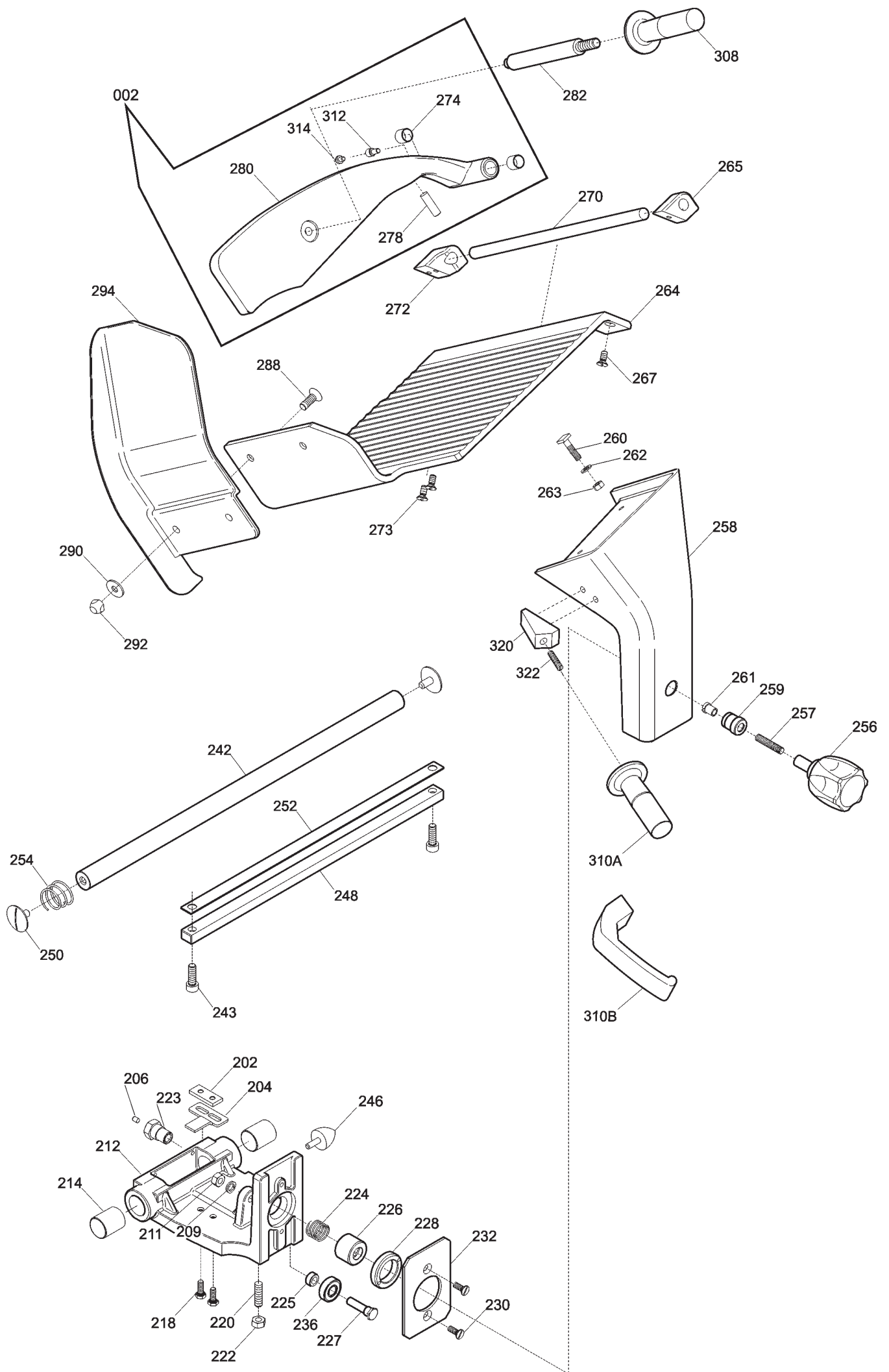
Ordinare entrambi!  
Order together!

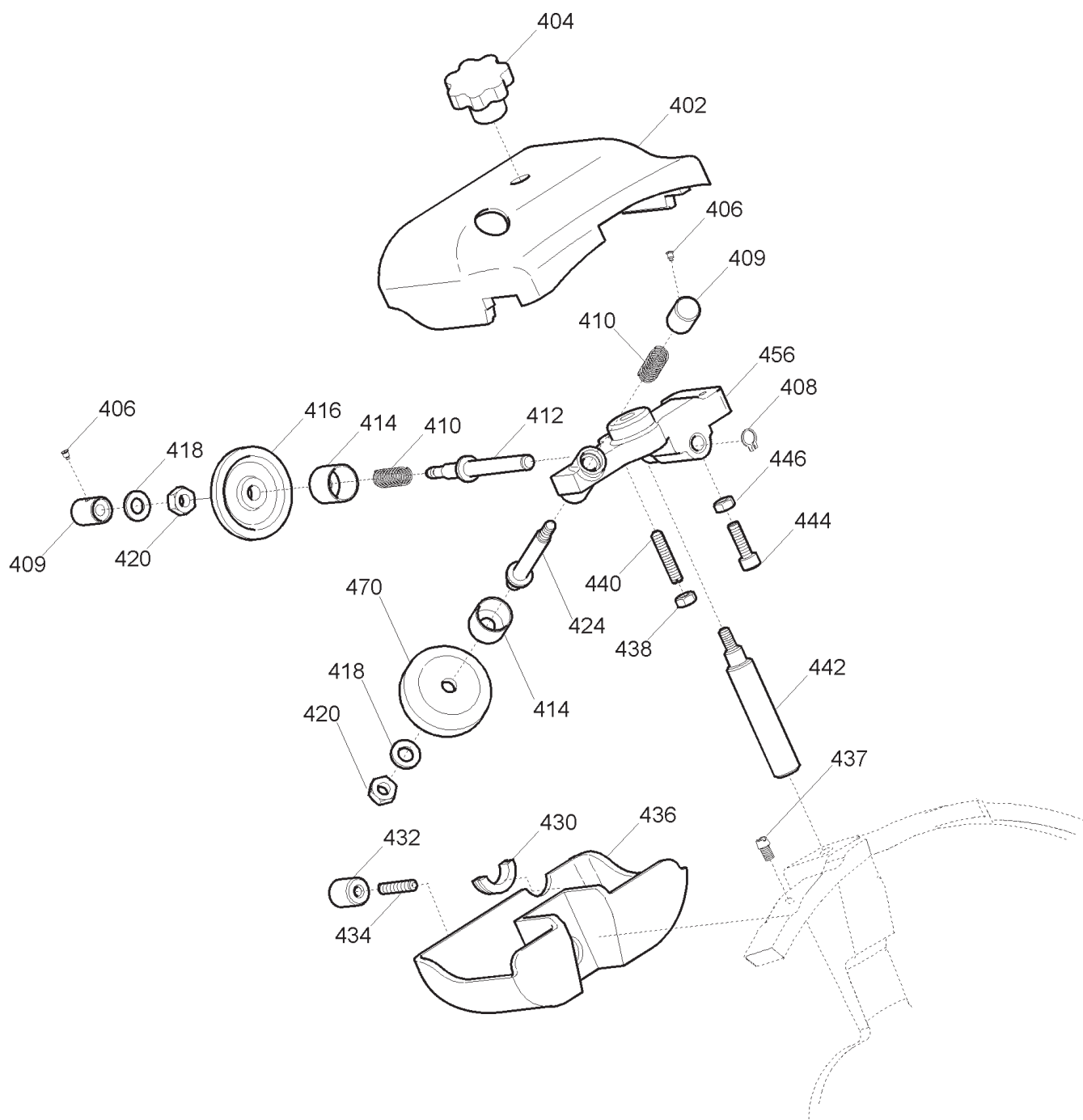
fino al / until 06/2013  
ref. 136+130



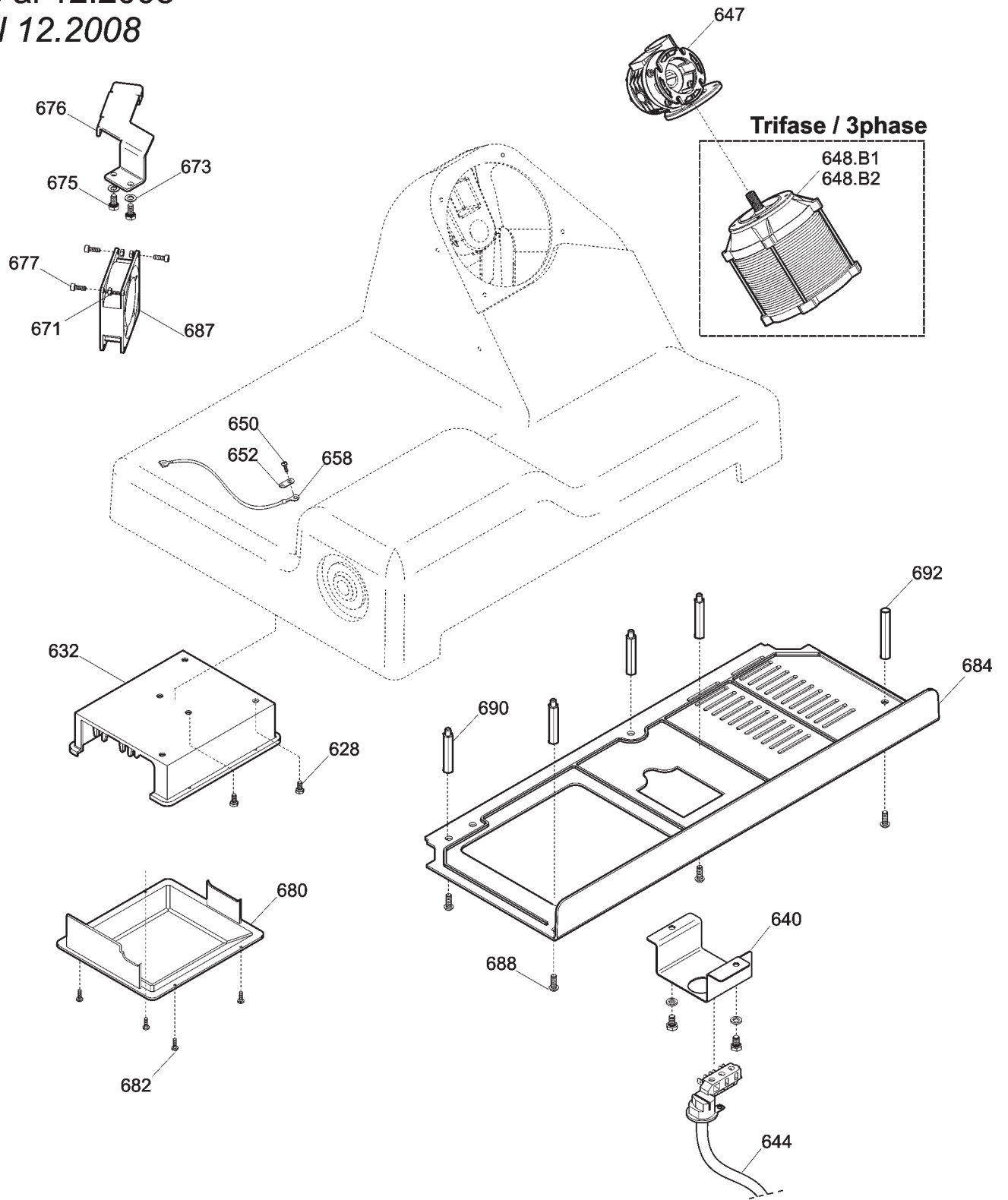
Ordinare entrambi!  
Order together!





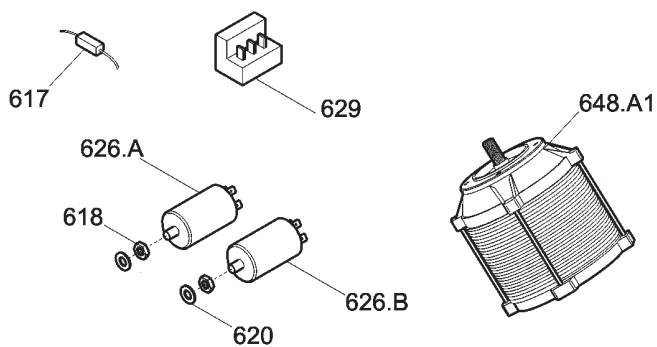


Fino al 12.2008  
Until 12.2008



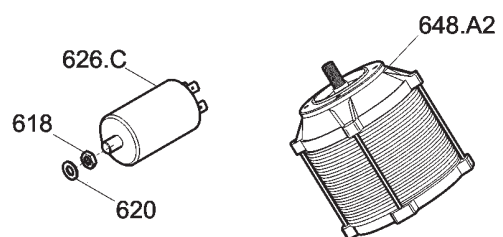
**Monofase / 1phase**

1

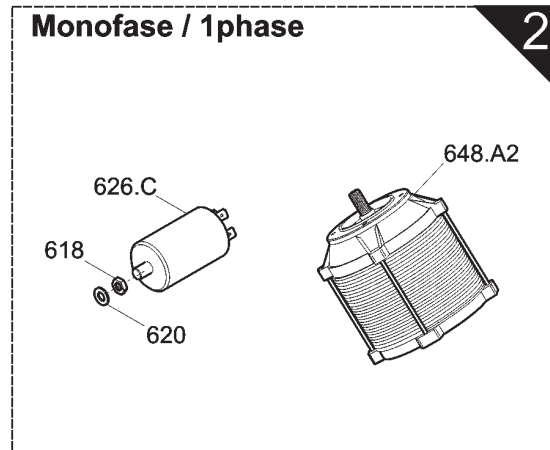
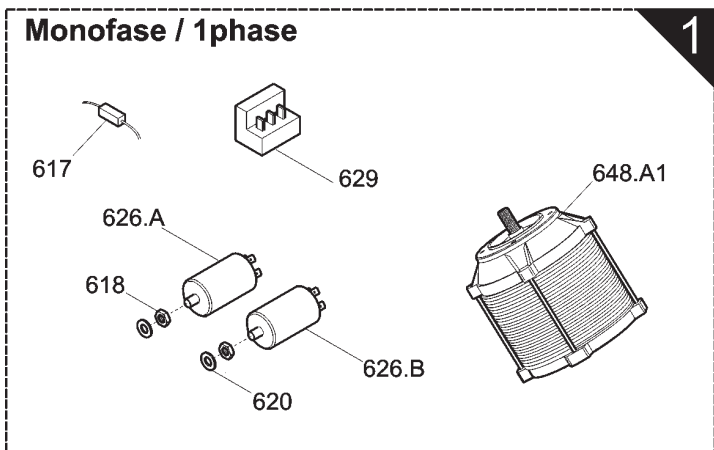
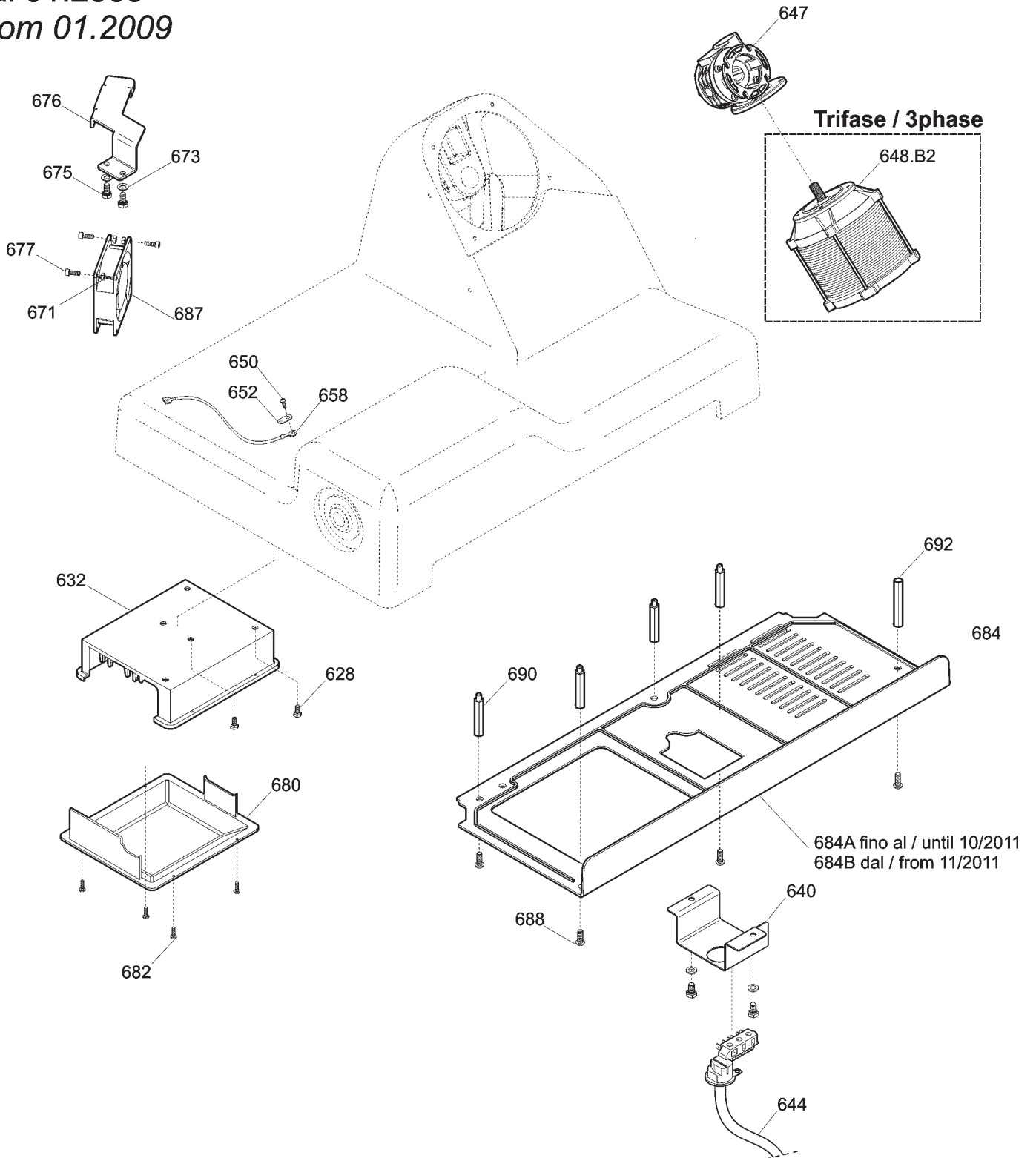


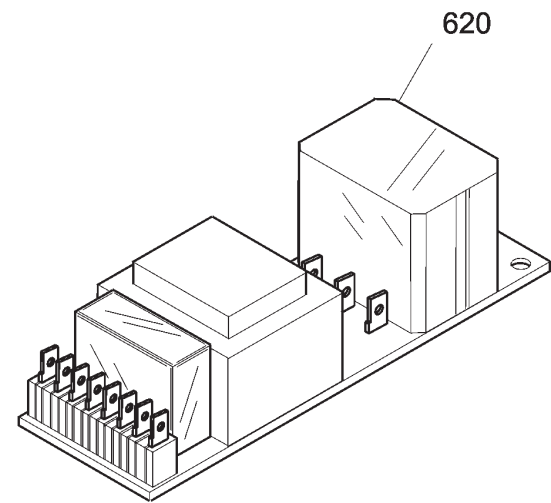
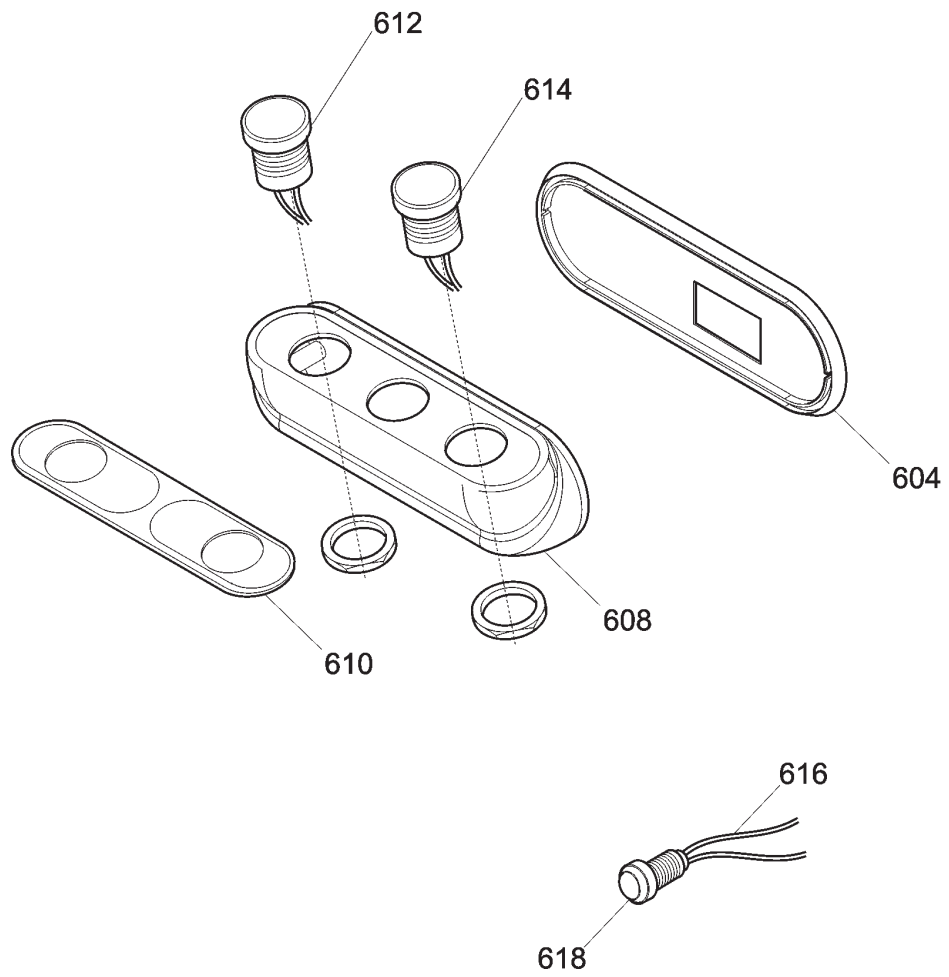
**Monofase / 1phase**

2

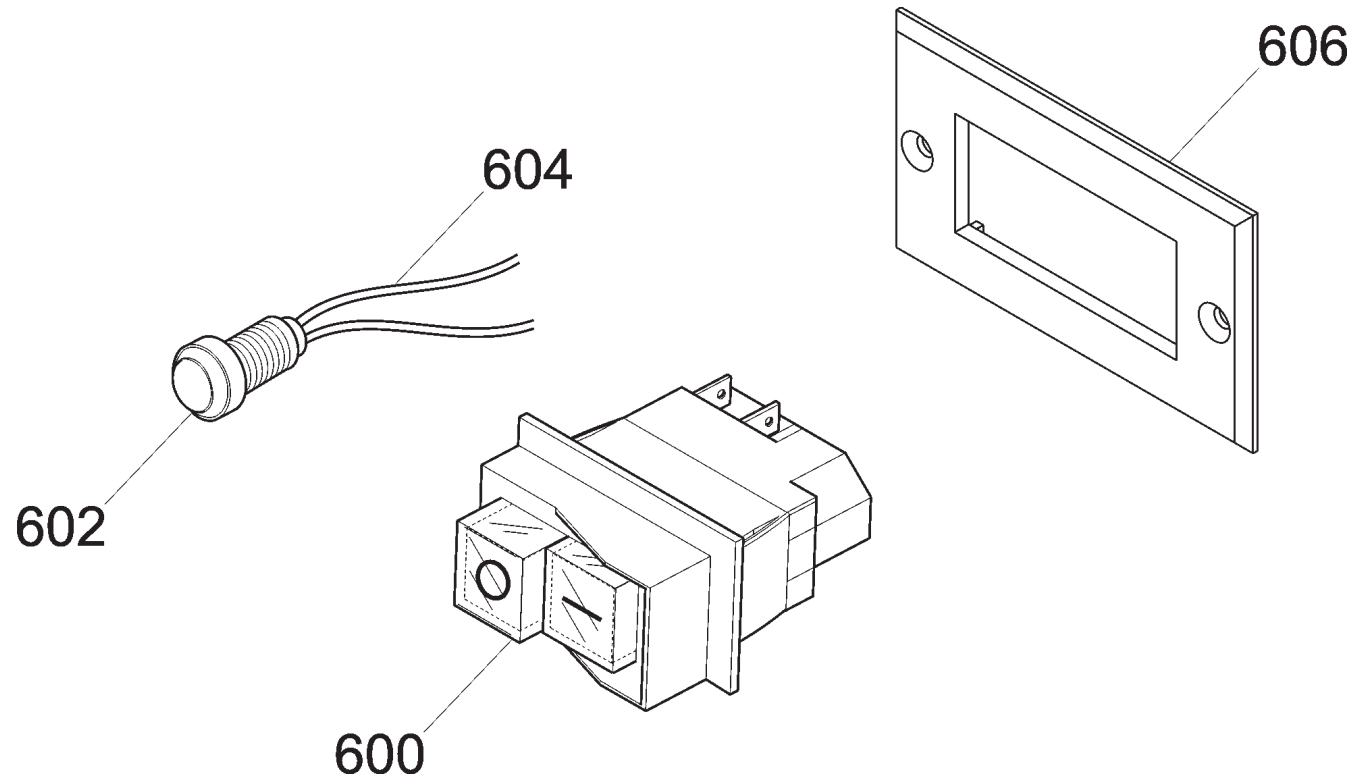


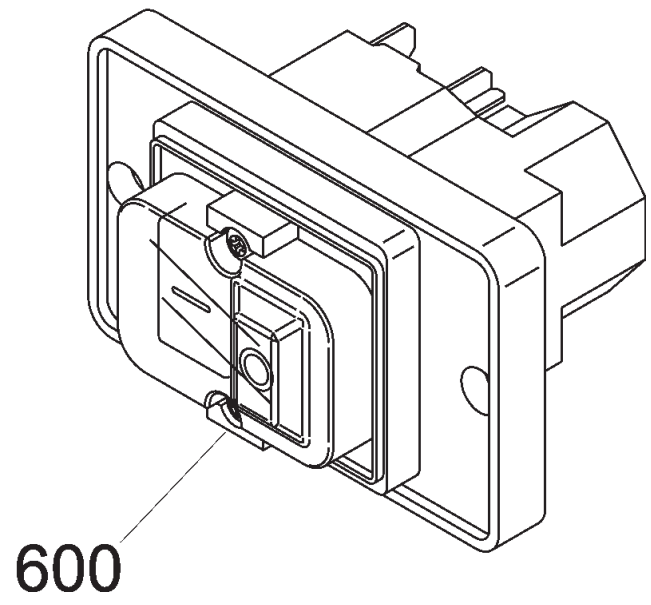
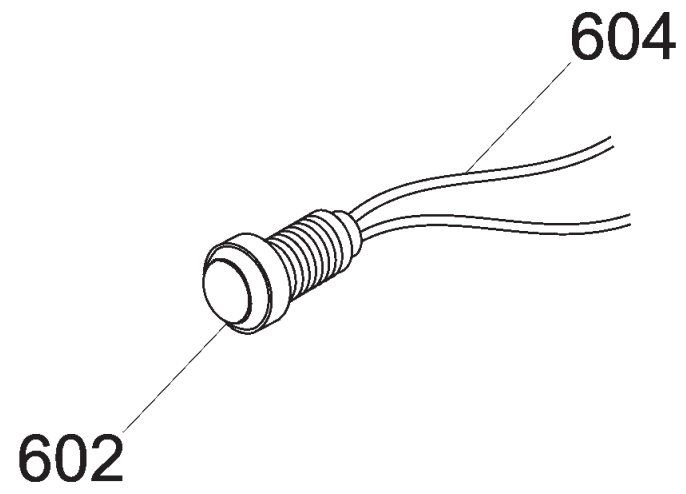
Dal 01.2009  
From 01.2009











PALLADIO 350 INGR. CE		
Ref.	Product name	Code
600	ON/OFF SWITCH 230 V	19410152
602	380/220V PILOT LAMP	19410406
604	WIRING - PILOT LAMP	19410750
605	SCREW TSP-DIN 963 M 4X08	IX2963004008
606	SUPPORTO INTERRUTTORE KEDU MN	19563172

PALLADIO 350 INGR. CE		
Ref.	Product name	Code
600	INTERRUTTORE + BOBINA V.380 TF	19410153
602	380/220V PILOT LAMP	19410406
604	WIRING - PILOT LAMP	19410750
607	SCREW TSP-DIN 963 M 4X08	IX2963004008

Electronic switch PALLADIO 350 INGR. CE TAV. UNICA		
Ref.	Product name	Code
-	PUSH-BUTTON PANEL ASS.Y OPERA	19702034
604	GASKET FOR ROUND CONTROL PANEL	19563034
608	HOUSING FOR CONTROL PANEL OPERA	19563123
610	LABEL _ PUSH BUTTON PANEL OPERA/IT	19420164
612	BLACK PUSH BUTTON N.O.	19410140
614	WHITE PUSH BUTTON N.O.	19410142
616	WIRING - PILOT LAMP	19410750
618	380/220V PILOT LAMP	19410406
620A	PRINTED CIRCUIT BOARD 230-110 V	19411102
620B	PRINTED CIRCUIT BOARD 400 V	19411103

PALLADIO 350 INGR. CE Tav.1a/4		
Ref.	Product name	Code
2	CASSA 300-330-350 PLD ING OSS	19510160I
4	RUBBER FOOT BUMPER	19560156
5	FOOT PLATE _ PALLADIO/MANTEGNA 300	19540660
6	BLADE GUARD 350 PLD GLL LNR	195102097
7	SCREW TSP-DIN 963 M 5X14	IX2963005014
8	BLADE COVER KNOB FOR SLICER	19021110
10	SCREW TSP-DIN 963 M 4X12	IX2963004012
12	SCREW TSP-DIN 963 M 5X14	IX2963005014
16	BLADE 350 - 57/4/280 CE	18350574280F
18	RIM GUARD, PLD 350	19513062
19	VITE TSP- DIN 963 M 5X16	IX2963005016
34	GRAY KNOB TIE ROD BLADEGUARD	19564029
36	PARAFETTA PLD LAMA 350	19531042
37	SCREW TSP-DIN 963 M 4X08	IX2963004008
38	KNOB FOR SLICE DEFLECTOR _SLICER	19021156
39	PRONG SHOULDER SCREW FOR SLICER	19336052
40	VELA 350 PLD OSSIDATA	19510362
41	PRONG SHOULDER SCREW FOR SLICER	19336052

44	SCREW TQ 8X29_SLICER PALLADIO 300	193350055
46	VITE SENZA TESTA DIN 913 M 8X10 CE	IX2913008010
47	HEX.NUT DIN 934 M8	IX2934008
48	TABLE SUPPORT FOR SLICER PALLADIO	19530760
50	VITE SENZA TESTA DIN 913 M 6X20 CE	IX2913006020
52	COVER,TABLE SUPPORT_SLICER PALLADIO	19512260
54	ANELLI D ARRESTO DIN 471 D 08E	IX2471008
56	KNOB, COVER FOR SLICER LEONARDO	19335021
62	COVER GASKET_SLICER PALLADIO 300	19563060
63	WASHER DIN 125 D 8	IX2125008
64	THICKNESS PLATE SLIDE PALLADIO 300	19500150
66	TABLE SLIDE GUIDE FR SLICER 300-370	19540609
70	SCREW TE DIN 933 M 6X12 T.F.	IX2933006012
72	STUD BOLT M6 X 17 FOR SLICER	19337032
73	HEX.NUT DIN 934 M 6	IX2934006
78	SCREW TCEI DIN 912 M 6X30	IX2912006030
80	SCREW TCEI DIN 912 M 6X20	IX2912006020
82	STUD BOLT 6X25 FOR SLICER	19337002
84	SPRING FOR SLICER	19390760
90A	ORDINARE 19563560LV + 19336073.08	19336073
90B	SLIDE ROD PLD CNV FROM 2008	19336073.08
92B	CAM + NEEDLE-ROLLER - PLD, CNV	19563570
92A	CAM + FLANGE PLD 300	19021460
94	GRUB SCREW DIN 916 M 6X8 NE	NE0916006008
96	CORRUGATED WASHER 19	19342006
98	SLEEVE, DIAL KNOB D80MM	19562454
99	BUSHING 18.20.20	19324108
102	DIAL KNOB, L53 GREY PLD MNT CNV	19564035
106	HOLDING RING NUT _ MIRRA 250	19534062
108	RONDELLA F.LARGA DIN 9021 D 8X24	IX29021008024
110	HEX.NUT DIN 934 M8	IX2934008
120	BLADE REMOVAL TOOL 350	19702512
125	TIRANTE PARALAMA ASSIEME PLD INGR.	19530561
126	ASTINA TIRANTE PARALAMA PLD INGR.	19530562
127	ALBERINO PORTA ASTINA TIR. PLD INGR.	19534460
128	BALL BEARING 6203 2RS	19320203
130	FLANGIA ATTACCO LAMA PLD-GLL INGR.	19530146
132B	ALBERO TRASC.LAMA PLD 300 ING Y12	19530161.12
132A	ALBERO TRASCINAM. LAMA PLD 300 ING	19530161
134	BALL BEARING 6204 2RS NTN	19320265
135	VITE TSP- DIN 963 M 4X25	IX2963004025
136	ANELLO TENUTA 80X100X10 SC NBR	195621366
137	ANELLO FLANG. SUPP.RIDUTT.PLD INGR.	19021462
140	OIL BOTTLE	19563008
141	SCREW TE DIN 933 M 6X12 T.F.	IX2933006012
144	TUBETTO BLOCCA TIR.PARAL. PLD INGR	19530160

PALLADIO 350 INGR. CE tav.1b/4		
Ref.	Product name	Code
2	CASSA 300-330-350 PLD ING OSS	19510160I

4	FOOT BUFFER '05 LEONARDO 350-385	19560156.05
5	FOOT PLATE _ PALLADIO/MANTEGNA 300	19540660
6	BLADE GUARD 350 PLD GLL LNR	195102097
7	SCREW TSP-DIN 963 M 5X14	IX2963005014
8	BLADE COVER KNOB FOR SLICER	19021110
10	SCREW TSP-DIN 963 M 4X12	IX2963004012
12	SCREW TSP-DIN 963 M 5X14	IX2963005014
16	BLADE 350 - 57/4/280 CE	18350574280F
18	RIM GUARD, PLD 350	19513062
19	VITE TSP- DIN 963 M 5X16	IX2963005016
34	GRAY KNOB TIE ROD BLADEGUARD	19564029
36	PARAFETTA PLD LAMA 350	19531042
37	SCREW TSP-DIN 963 M 4X08	IX2963004008
38	KNOB FOR SLICE DEFLECTOR_SLICER	19021156
40	VELA 350 PLD OSSIDATA	19510362
41	PRONG SHOULDER SCREW FOR SLICER	19336052
44	SCREW TQ 8X29_SLICER PALLADIO 300	193350055
46	VITE SENZA TESTA DIN 913 M 8X10 CE	IX2913008010
47	HEX.NUT DIN 934 M8	IX2934008
48	TABLE SUPPORT FOR SLICER PALLADIO	19530760
50	VITE SENZA TESTA DIN 913 M 6X20 CE	IX2913006020
52	COVER, TABLE SUPPORT_SLICER PALLADIO	19512260
54	ANELLI D ARRESTO DIN 471 D 08E	IX2471008
56	KNOB FOR COVER_SLICER	19IM335021
62	COVER GASKET_SLICER PALLADIO 300	19563060
63	WASHER DIN 125 D 8	IX2125008
64	THICKNESS PLATE SLIDE PALLADIO 300	19500150
66	TABLE SLIDE GUIDE FR SLICER 300-370	19540609
70	SCREW TE DIN 933 M 6X12 T.F.	IX2933006012
72	STUD BOLT M6 X 17 FOR SLICER	19337032
73	HEX.NUT DIN 934 M 6	IX2934006
78	SCREW TCEI DIN 912 M 6X30	IX2912006030
80	SCREW TCEI DIN 912 M 6X20	IX2912006020
82	STUD BOLT 6X25 FOR SLICER	19337002
84	SPRING FOR SLICER	19390760
90	SLIDE ROD PLD CNV FROM 2008	19336073.08
92	CAM + NEEDLE-ROLLER - PLD, CNV	19563570
94	GRUB SCREW DIN 916 M 6X8 NE	NE0916006008
96	CORRUGATED WASHER 19	19342006
98	SLEEVE, DIAL KNOB D80MM	19562454
99	BUSHING 18.20.20	19324108
102	DIAL KNOB, L53 GREY PLD MNT CNV	19564035
106	HOLDING RING NUT _ MIRRA 250	19534062
108	RONDELLA F.LARGA DIN 9021 D 8X24	IX29021008024
110	HEX.NUT DIN 934 M8	IX2934008
120	BLADE REMOVAL TOOL 350	19702512
125	TIRANTE PARALAMA ASSIEM.PLD ING.Y12	19530561.12
126	ASTINA TIRANTE PARALAMA PLD ING Y12	19530562.12
127	ALBERINO PORTA AST.TIR. PLD ING.Y12	19534460.12
128	BALL BEARING 61903 PLD ING. Y12	19320247

130A	PULLEY + SHAFT PLD ING Y12	19530802
130B	PULEGGIA + PERNO PLD ING. Y14	19530802.14
132	ANELLO TENUTA 80X100X10 SC NBR	195621366
133	ANELLI D ARRESTO DIN 472 D 42I	IX2472042
134	BALL BEARING PLD ING. 6004 LLU/5K	19320220
135	RING DIN 471 D20E	IX2471020
136	PULLEY DRIVE PLD ING Y13	19543945.13
137	RUBBER FOR MOTOR DRIVE PLD ING. Y12	19562170
138A	FLANG.SUPP.RIDUTT.PLD ING.300 Y12	19021461.12
138B	FLANG.SUPP.RIDUTT.PLD ING.300 Y14	19021461.14
139	MOTOR DRIVE PLD ING Y13	19543940.13
140	SHAFT - BLADE DRIVE PLD ING Y13	19530161.13
141	SCREW TE DIN 933 M 6X12 T.F.	IX2933006012
142	DADO ALBERO TRASCINAMENTO GLL	19533864
143	LINGUETTE DIN 6885/A 5X5X25	IX26885A050525
144	TUBETTO BLOCC.TIR.PARAL.PLD ING Y12	19530160.12
145A	BALL BEARING PLD ING. 6004 LLU/5K	19320220
145B	CUSCINETTO PLD ING.Y14 16004 ZZ	19320219

PALLADIO 350 INGR. CE tav.2/4		
Ref.	Product name	Code
2	ASSIEME PRESSAMERCE PLD CE	19801240
202	PLATE FOR SLICER	19533200
204	PIAST. SGANCIO CARR. PLD 300 DAL 08	19533260.08
206	PUSH ROD _ SLICER 300-385 CE	19565001
209	WASHER DIN 125 D 8	IX2125008
211	HEX.NUT DIN 934 M8	IX2934008
212	CARRIAGE SLIDE _ SLICER PALLADIO 300	19500560
214	BUSH 22.25.30 FOR SLICER	19324106
218	SCREW TCEI DIN 912 M 6X20	IX2912006020
220	STUD BOLT M8 FOR SLICER LEONARDO	19337054
222	HEX.NUT DIN 934 M8	IX2934008
223	HEX ROD,CARRIAGE RELEASE _ SLICER	19534036
224	CARRIAGE RELEASE SPRING FOR SLICER	19390601
225	SPACE WASHER	19346015
226	RELEASE BUSHING FOR SLICER 300-330	19534025
227	BEARING ROD FOR SLICER 250-330	19540805
228	LOCKRING(EXT THREADING)FOR SLICER	19534030
230	VITE TE DIN 933 M 6X16 T.F.	IX2933006016
232	CARRIAGE PLATE FOR SLICER 300-330	19533007
236	BEARING FOR SLICER 6000 2RS R11	19320154
242	CARRIAGE ROUND BAR 22X495 _ SLICER	19530607
243	VITE TCEI DIN 912 M 8X20	IX2912008020
246	SLIDE BUMPER LEONARDO 350-385	19560154
248	SQUARE RAIL FOR SLICER 300-330	19540107
250	ROUND BAR CHROME SCREW 26	19335002
252	HARDENED PLATE FOR SLICER 300-330	19530807
254	SPRING _ ROUND RAIL _ SLICER 300-330 CE	19390117
256	GREY KNOB LEG M10	19564022
257	VITE SENZA TESTA DIN 913 M 10X50 CE	IX2913010050

258	CARRIAGE SHANK _ PLD 300-330-350	19510660
259	S/S BUSHING _ 300/PALLADIO	19534020
260	SQUARE STUD TQ 8X38 FOR SLICER 350	19335007
261	BUSHING FOR SLICER 300-370 CE	19534016
262	RONDELLA F.LARGA DIN 9021 D 8X24	IX29021008024
263	HEX.NUT DIN 934 M8	IX2934008
264	CARRIAGE FOR SLICER PALLADIO 300	19510460
265	RETAINER,END WEIGHT ROD _ PALLAD.300	19525071
267-b	VITE TCEI DIN 912 M 6X14	IX2912006014
267-a	VITE TSP- DIN 963 M 6X12	IX2963006012
269-b	WHASHER GROWER UNI 1751 D6	IX21751006
270	END WEIGHT ROD _ SLICER PALLADIO 300	19530460
272	INCLINED RETAINER _ END WEIGHT ROD	19525070
274	BUSHES 12.14.12 FOR SLICER FRM 2001	19324102
278	MEAT PRESS BUFFER D8,5XH36	19563206
280	ARM,END WEIGHT _ SLICER PALLADIO 300	19511760
282	PERNO STAFFA PRESSAMERCE PLD 300	19531320
288	FLAT HEAD SCREW FOR HAND GUARD	19335064
290	RONDELLA F.LARGA DIN 9021 D 8X24	IX29021008024
292	TAMPER PROOF NUT	19363560
294	HAND GUARD FOR PALLADIO/CANOVA 300	19562342
308	GREY KNOB MEATPRESS	19564021
310A	GREY KNOB MEATPRESS	19564021
310B	CARRIAGE HANDLE - GREY	19562808G
312	PERNO PORTA PARAC.P.MERCE PLD 300	19533770
314	BUMPER,END WEIGHT D8XHT6 FOR SLICER	19563200
320	BLOCCH.IMPUG.LNR+VAS DAL 04	19525052
322	VITE SENZA TESTA DIN 913 M 10X40 CE	IX2913010040

PALLADIO 350 INGR. CE tav.3/4		
Ref.	Product name	Code
402T	CAPPOTT. 300-385 LNR CE CERAM.	1903T1252C
402	SHARPENER HOUSING _ LEON/PALL 300-385	19511252C
404	KNOB M6, GREY	19564029F
406	BUTTON SCREW _ SLICER 250-370	19335025
408	ANELLI D ARRESTO DIN 471 D 08E	IX2471008
409	DEBURRING PUSH BUTTON FOR SLICER	19550208
410	SHARPENER PINS SPRING FOR SLICER	19390309
411	GRUB SCREW DIN 916 M 6X8 NE	NE0916006008
412	DEBURRING PIN FOR SLICER 330-370	19540709
413	NUT ES. DIN 439 M 6 BASSO	IX2439006
414	BUSHING _ LEONARDO/PALL.USA	19540718
415	WASHER DIN 125 D 6	IX2125006
416	DEBURRING STONE D.50 H.8 F.8	19300209
418	WASHER DIN 125 D 8	IX2125008
420	HEX.NUT DIN 934 M8	IX2934008
421	DADO ES. DIN 439 M 8 BASSO	IX2439008
424	SHARPENING STUD FOR SLICER 330-370	19540708
430	VIBRATION DAMPER	19560152
432	THUMB SCREW SHARPENER _ LEONARDO	19335023

434	VITE SENZA TESTA DIN 913 M 6X20 CE	IX2913006020
436T	VASC.AFF.300-385 LNR CERAM.	1903T1253C
436	BOTTOM ENCLOSURE_LEONARDO 300-385	19511253C
437	VITE RISCOINT.CONICA ANELLO DAL 09	19336055.09
438	HEX.NUT DIN 934 M 6	IX2934006
440	VITE SENZA TESTA DIN 913 M 6X30 CE	IX2913006030
442	PERNO COL.AFFILATOIO FRESATO LNR	19540452.09
444	LOCK BOLT FOR SHARPENER_LEONARDO	19336056
446	HEX.NUT DIN 934 M 6	IX2934006
456	SHARPENER FOR LEONARDO 300-385	19021352
470	SHARPENING STONE D.48 H15 Y10	19300108C.10

PALLADIO 350 INGR. CE		
Ref.	Product name	Code
617	RESISTENZA 10K 5W GLL INGR.	19410326
626.A	CAPACITOR 12,5uF	19410312
626.C	CAPACITOR 12,5uF	19410312
626.B	CONDENSATORE 25 MF GLL INGR. 230/60	19410319
629	KLIXON 135 230/60 GLL INGR.	19410325
632	RELAIS BOX FOR SLICER	19563127.09
640	PIASTRINA AD U P.CAVO PLD 300-350	19541743
644	POWER CORD SUKO PA 205	19410530
647	REDUCER, GLL-PLD ING.	19401865
648.B2	MOT.GLL INGR. D.09 380-50	19401563.09
648.A1	MOT.PLD INGR. 230-50	19401542
648.A2	MOTOR - PLD INGR. D09 230V, 50HZ	19401542.09
652	GROUND LABEL	19420177
658	GROUND WIRE UL FOR SLICER 300-385	19410739
676	PIASTRINA SUPPORTO VENTOLA PLD ING	19532060
680	BOX COVER FOR SLICER +	19563148.09
684	BOTTOM ENCLOSURE PANEL FOR SLICER	19563160
687	FAN - PLD ING.	19401580
690	UPPER HEX ROD OF COVER FOR SLICER	19540752.07
692	HEX ROD FOR COVER_SLICER	19540754

PALLADIO 350 INGR. CE Tav. 4a/4		
Ref.	Product name	Code
626.A	CAPACITOR 12,5uF	19410312
626.C	CAPACITOR 12,5uF	19410312
626.B	CONDENSATORE 25 MF GLL INGR. 230/60	19410319
632	RELAIS BOX FOR SLICER	19563127.09
640	PIASTRINA AD U P.CAVO PLD 300-350	19541743
644	POWER CORD SUKO PA 205	19410530
647	REDUCER, GLL-PLD ING.	19401865
648.B2	MOT.GLL INGR. D.09 380-50	19401563.09
648.A1	MOT.PLD INGR. 230-50	19401542
648.A2	MOTOR - PLD INGR. D09 230V, 50HZ	19401542.09
652	GROUND LABEL	19420177
658	GROUND WIRE UL FOR SLICER 300-385	19410739
676	PIASTRINA SUPPORTO VENTOLA PLD ING	19532060



680	BOX COVER FOR SLICER +	19563148.09
684A	BOTTOM ENCLOSURE PANEL FOR SLICER	19563160
684B	COPERTURA INFERIORE PLD 300 Y11	19563160.11
687	FAN - PLD ING.	19401580
690	UPPER HEX ROD OF COVER FOR SLICER	19540752.07
692	HEX ROD FOR COVER_SLICER	19540754