

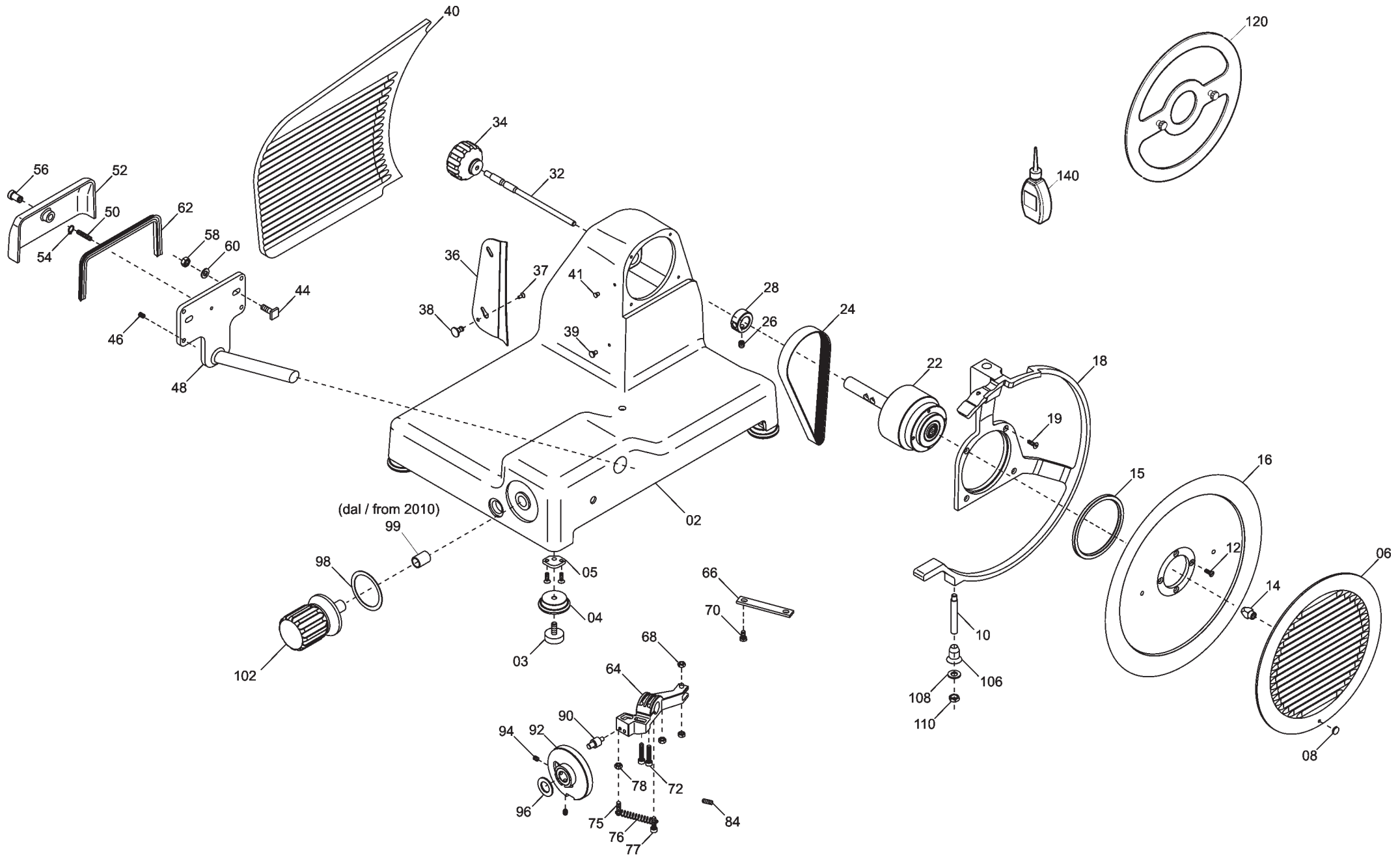
07/2015

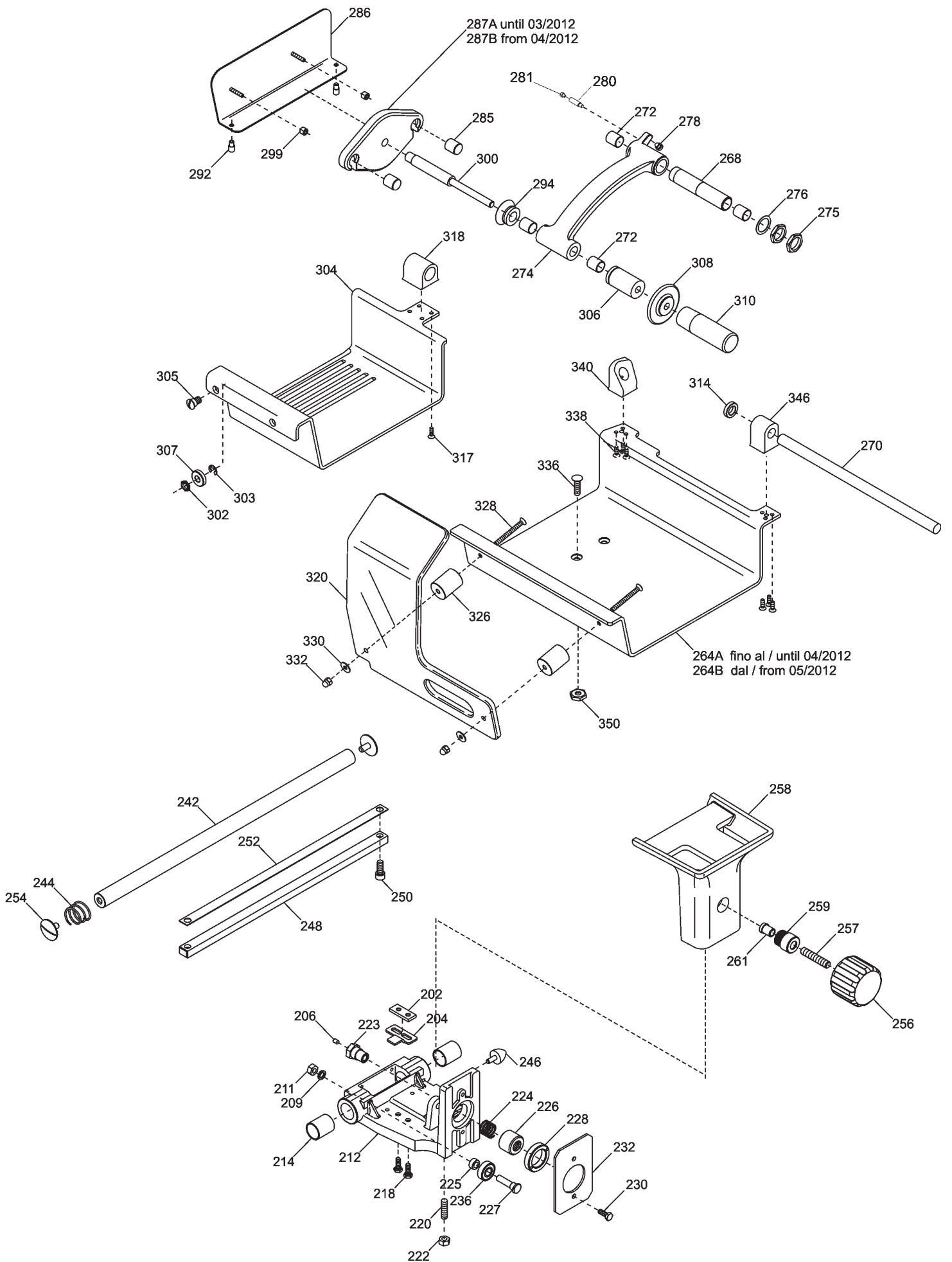
Mod: 350/VCS-N

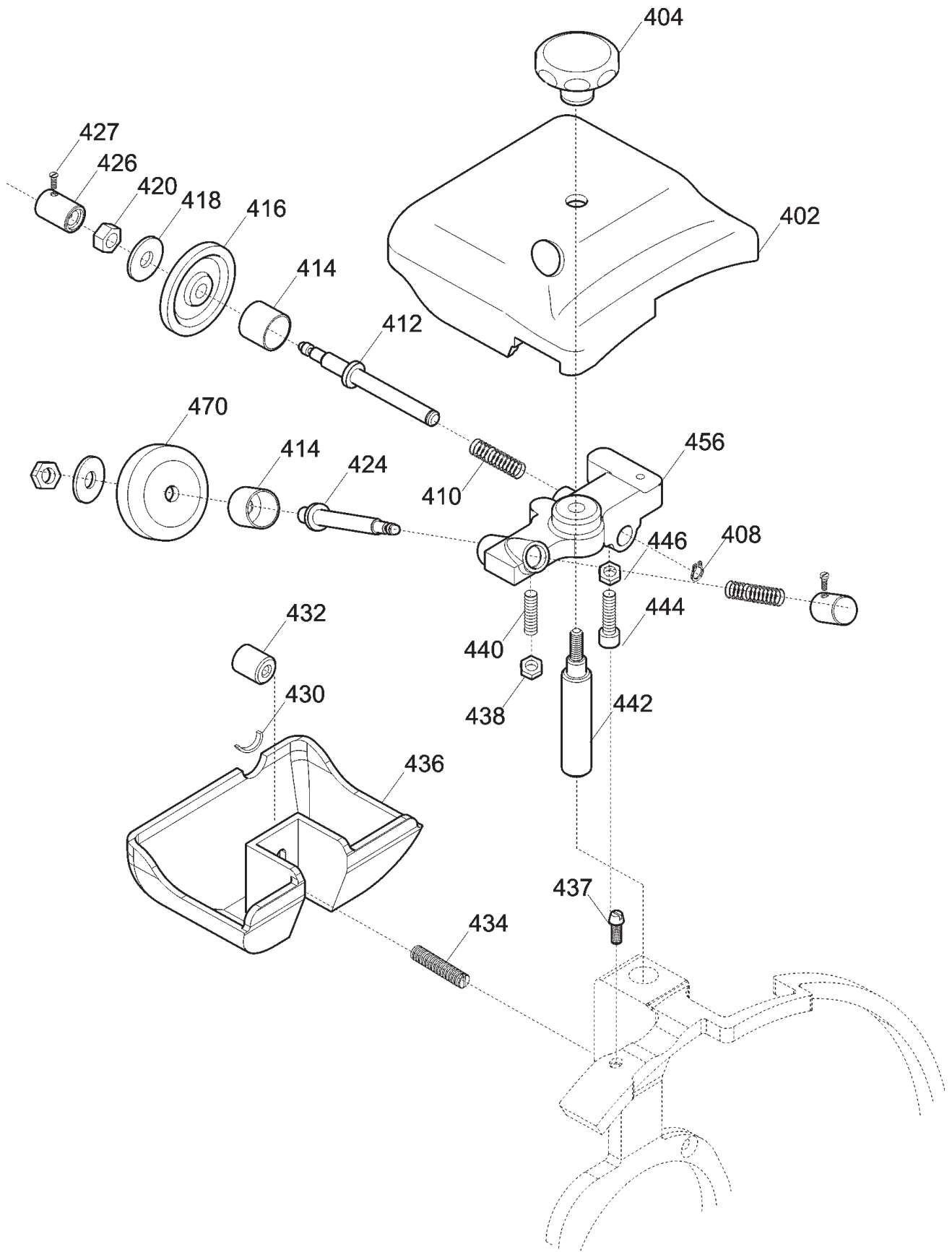
Production code: 15352502S

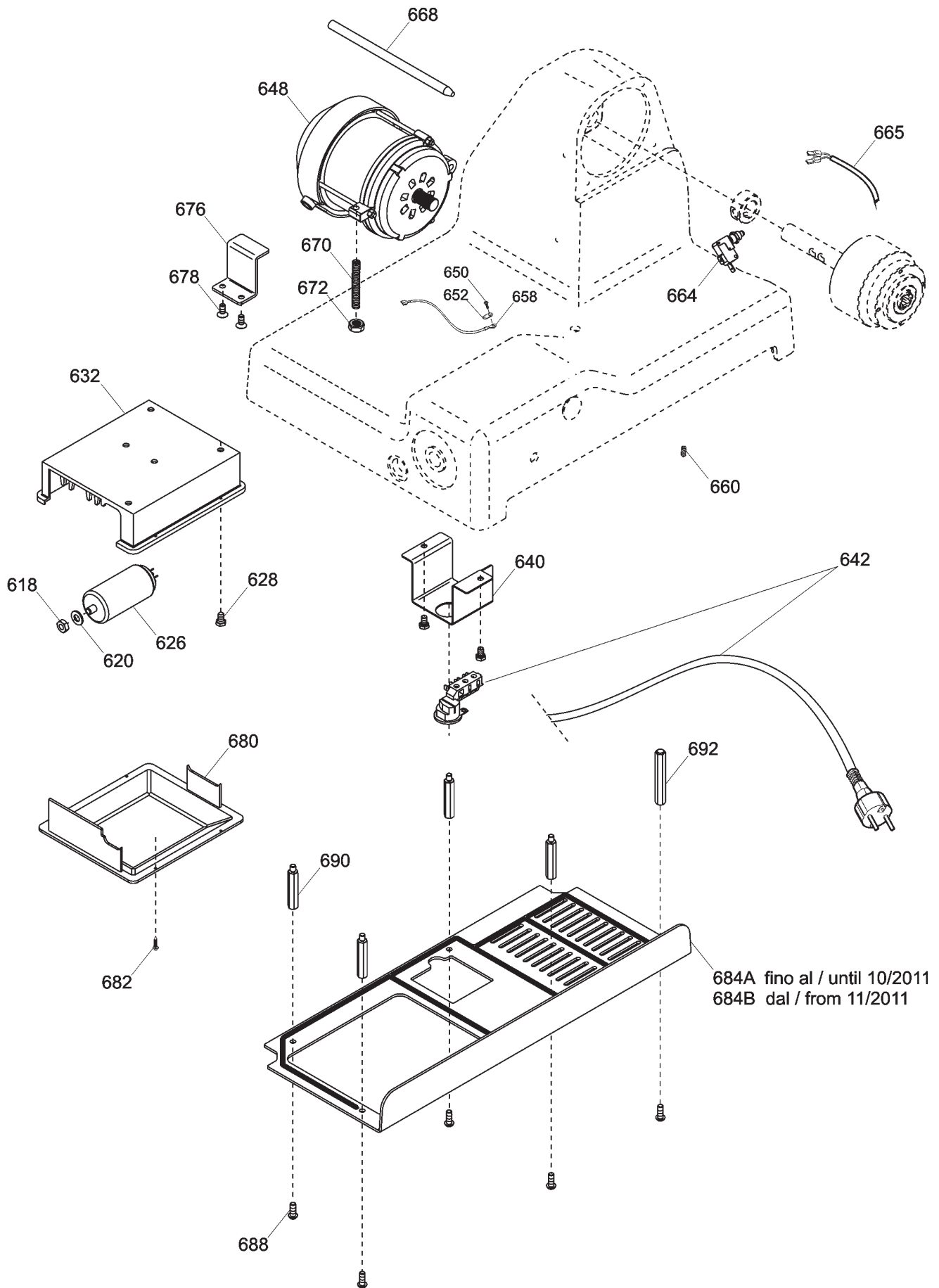


Diamond
catering equipment



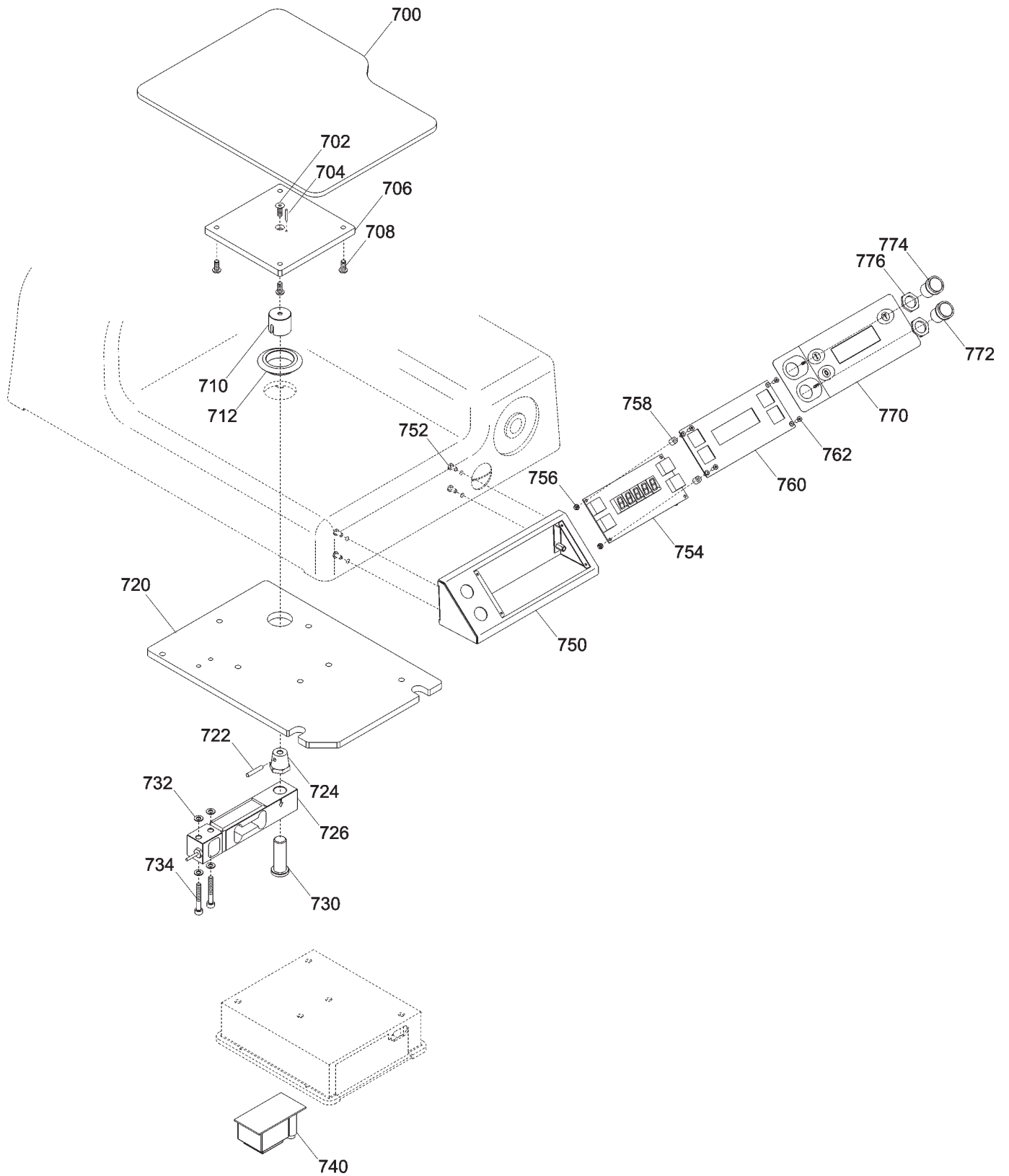






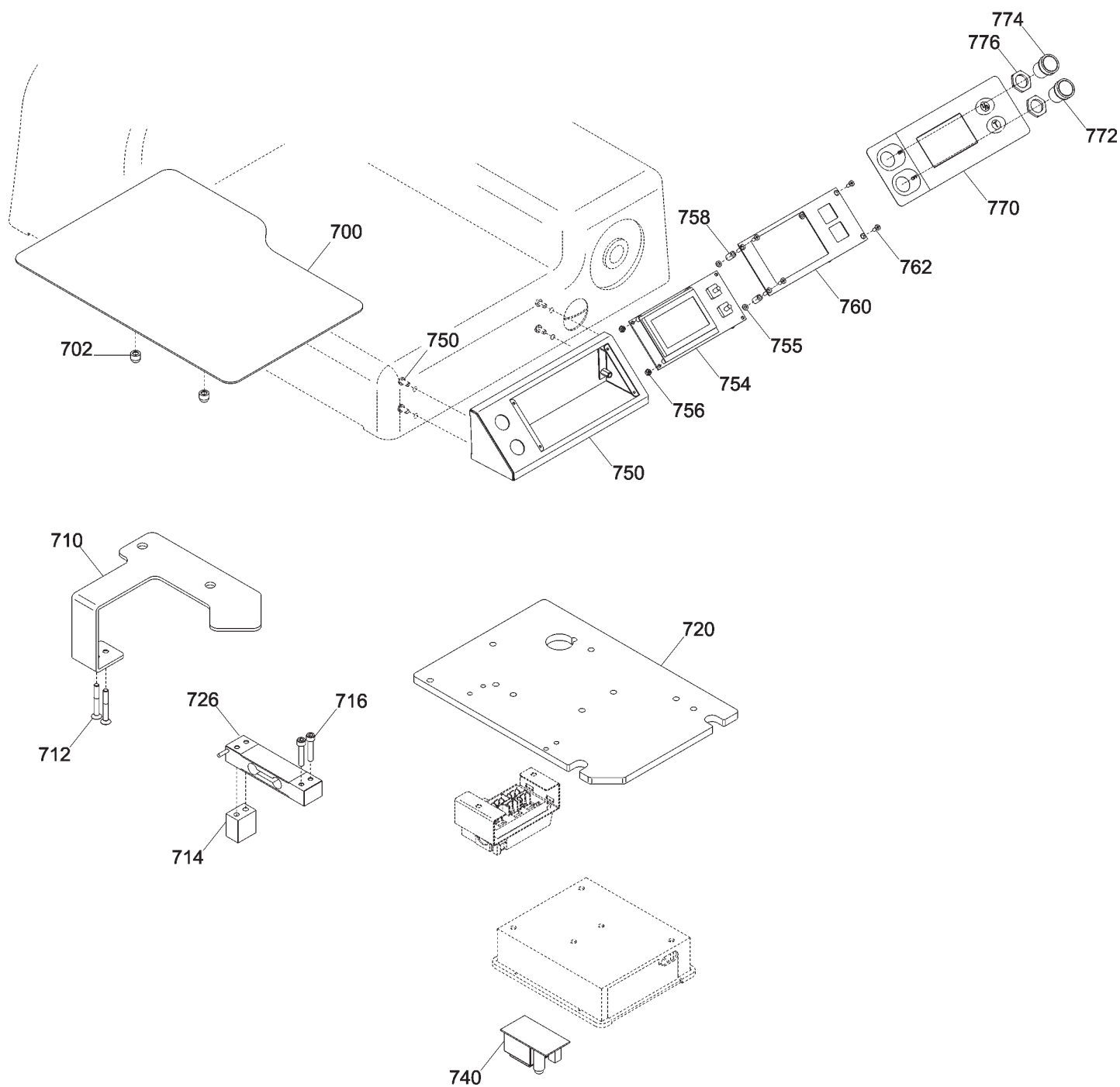
Applicazione bilancia / Scale application

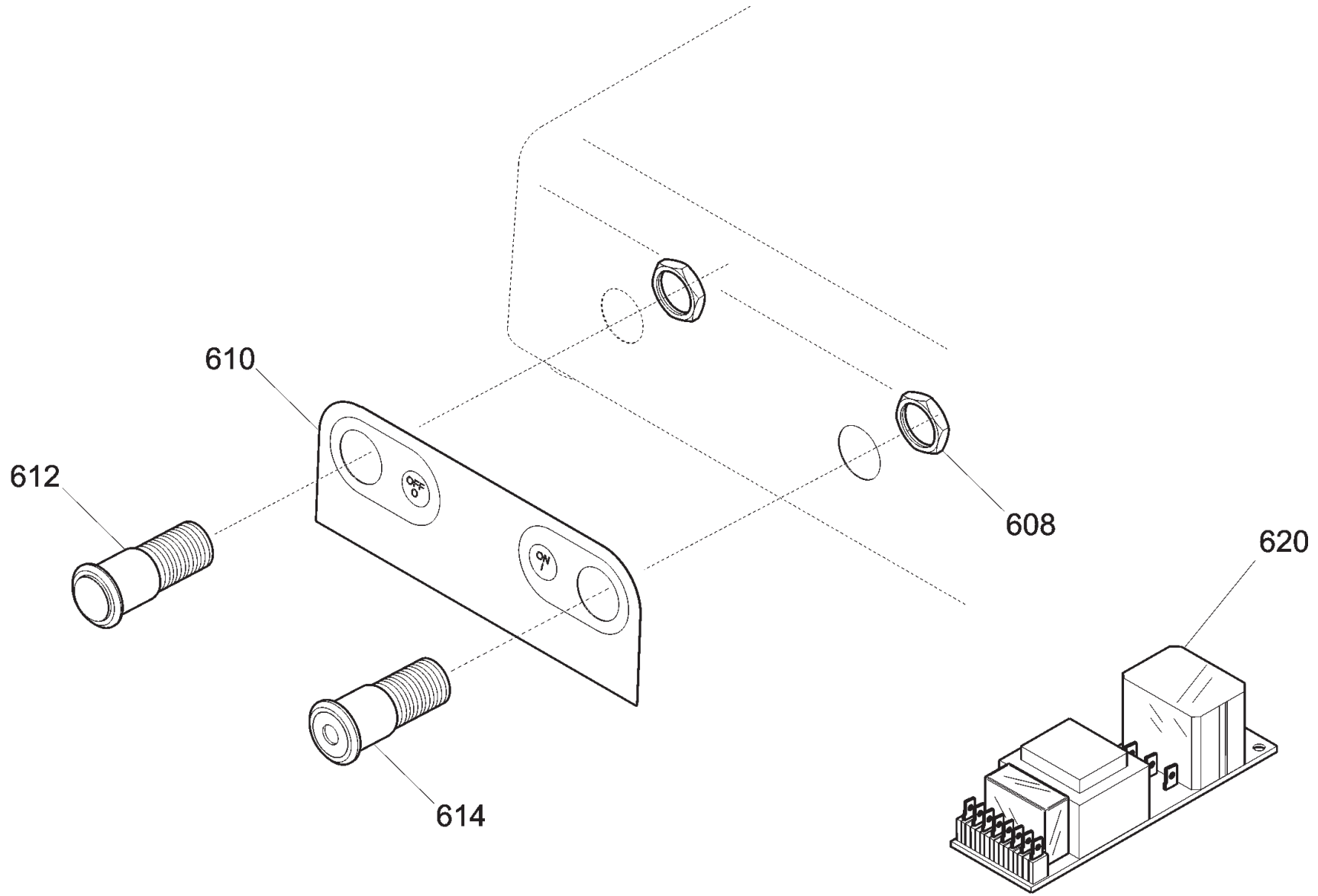
fino al / until 01/2013

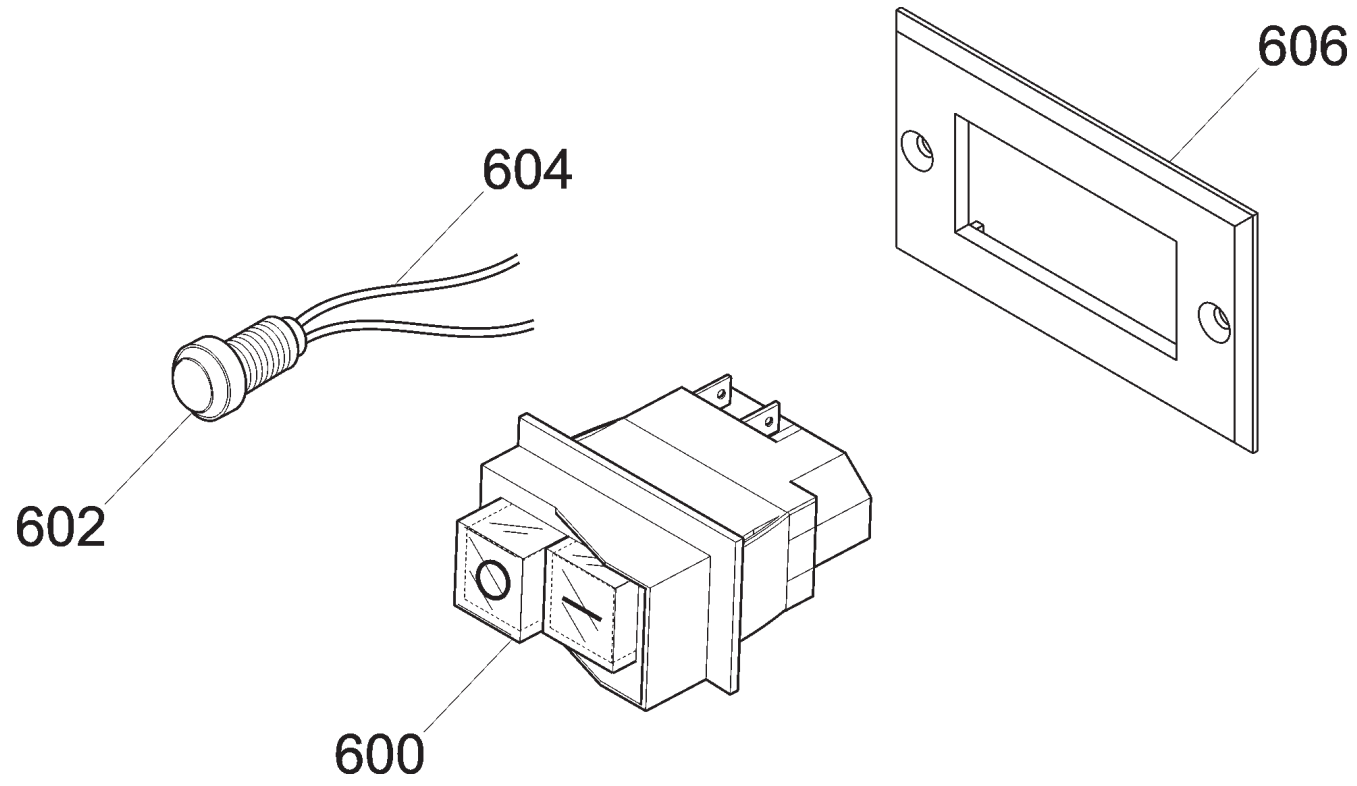


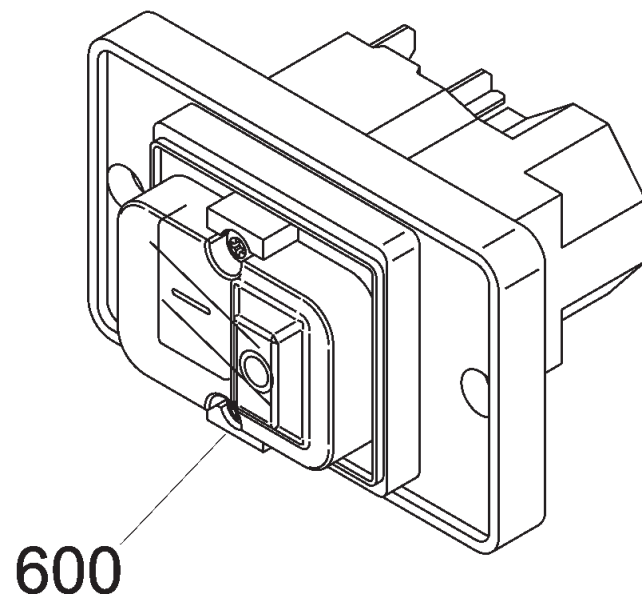
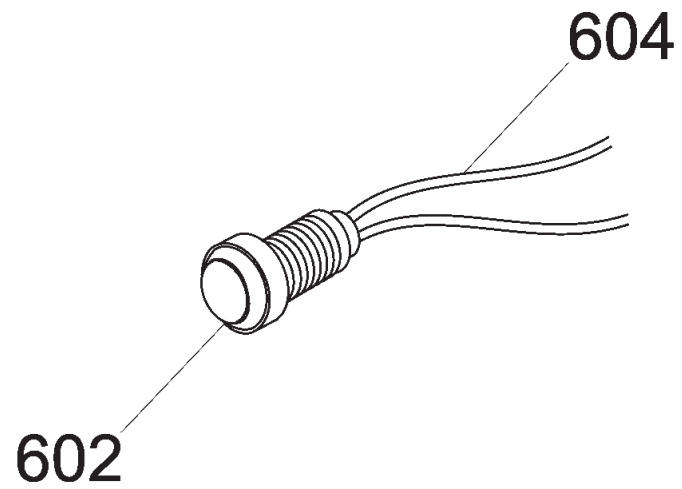
Applicazione bilancia / Scale application

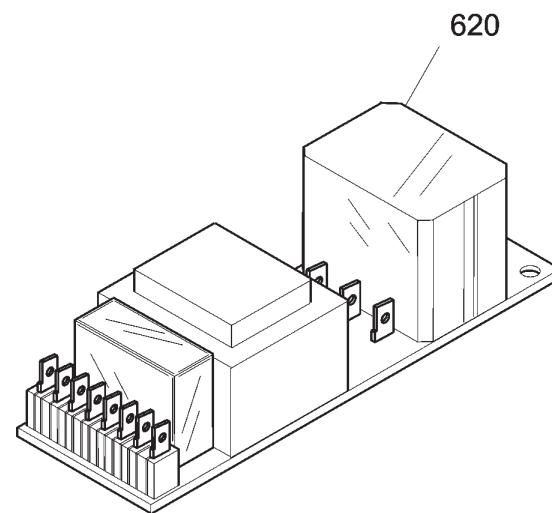
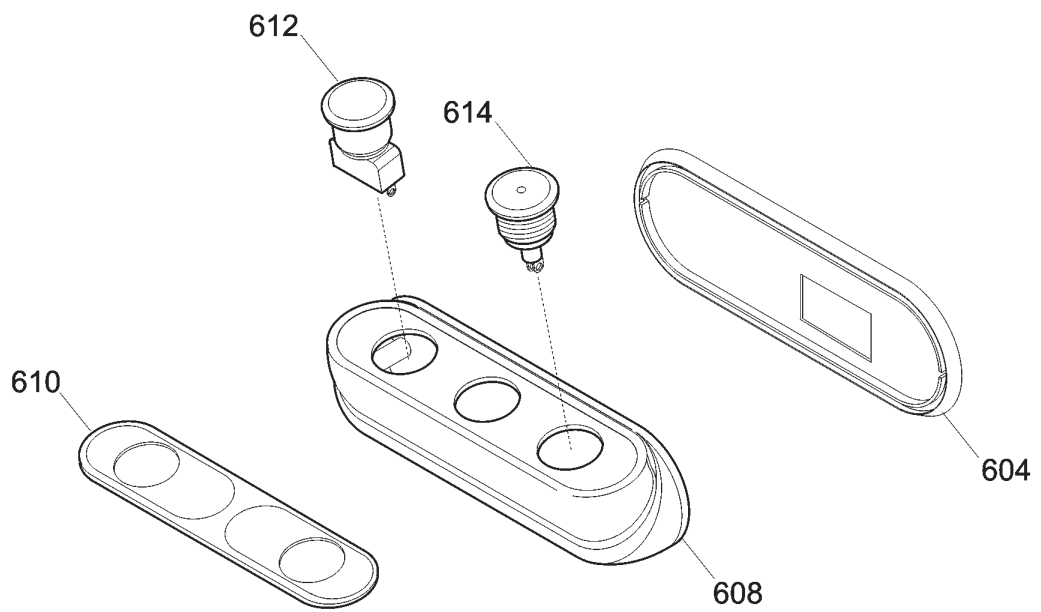
dal / from 02/2013











MANTEGNA 350 VCS CE		
Ref.	Product name	Code
600	ON/OFF SWITCH 230 V	19410152
602	380/220V PILOT LAMP	19410406
604	WIRING - PILOT LAMP	19410750
605	SCREW TSP-DIN 963 M 4X08	IX2963004008
606	SUPPORTO INTERRUETTORE KEDU MN	19563172

MANTEGNA 350 VCS CE		
Ref.	Product name	Code
600	INTERRUPTORE + BOBINA V.380 TF	19410153
602	380/220V PILOT LAMP	19410406
604	WIRING - PILOT LAMP	19410750
607	SCREW TSP-DIN 963 M 4X08	IX2963004008

Electronic switch MANTEGNA 350 VCS CE TAV. UNICA		
Ref.	Product name	Code
-	CORPO PUL.NEUTRA IT MONTATA NO GUAR	19702036
604	GASKET FOR ROUND CONTROL PANEL	19563034
608	PUSH BUTTONS BOX	19563118
610	LABEL _ PUSH BUTTON PANEL OPERA/IT	19420164
612	BLACK PUSH BUTTON N.O.	19410140
614	WHITE PUSH BUTTON N.O.	19410142
616	WIRING - PILOT LAMP	19410750
618	380/220V PILOT LAMP	19410406
620A	PRINTED CIRCUIT BOARD 230-110 V	19411102
620B	PRINTED CIRCUIT BOARD 400 V	19411103

Electronic switch MANTEGNA 350 VCS CE TAV. UNICA		
Ref.	Product name	Code
-	PUSH-BUTTON PANEL ASS.Y OPERA	19702034
604	GASKET FOR ROUND CONTROL PANEL	19563034
608	HOUSING FOR CONTROL PANEL OPERA	19563123
610	LABEL _ PUSH BUTTON PANEL OPERA/IT	19420164
612	BLACK PUSH BUTTON N.O.	19410140
614	WHITE PUSH BUTTON N.O.	19410142
616	WIRING - PILOT LAMP	19410750
618	380/220V PILOT LAMP	19410406
620A	PRINTED CIRCUIT BOARD 230-110 V	19411102
620B	PRINTED CIRCUIT BOARD 400 V	19411103

MANTEGNA 350 VCS CE Tav. 1/4		
Ref.	Product name	Code
2	CASSA 300-330-350 MNT OSSIDATA	19510145
4	RUBBER FOOT BUMPER	19560156
5	FOOT PLATE _ PALLADIO/MANTEGNA 300	19540660
06.1	BLADE COVER Y08 SLICER 350	19510257
06.2	BLADE GUARD 350 PLD GLL LNR	195102097
7	SCREW TSP-DIN 963 M 5X14	IX2963005014

08.1	KNOB FOR SLICE DEFLECTOR_SLICER	19021156
10	PERNO X ANELLO MNT 350	19534073
11	SCREW TSP-DIN 963 M 4X12	IX2963004012
12	SCREW TSP-DIN 963 M 5X14	IX2963005014
13	SCREW TSP-DIN 963 M 4X12	IX2963004012
14	LOCK NUT 250-330	19530905
15	SEAL NBR_SLICER PALLADIO 330-350	195621360
16	BLADE 350 - 57/4/280 CE	18350574280F
18	AN.PR.LAMA 350 MNT	19513047
19	VITE TSP- DIN 963 M 5X16	IX2963005016
22	PULEG.PIAT.MONT. MNT 300	19700347
24	BELT TB2 526X10 MANTEGNA & LEO 300	19310252
26	SCREW DIN 916 M 8X10 NE	NE0916008010
28	MICROSWITCH HOLDER RING FOR SLICER	19540905
32	TIRANTE PARALAMA LNR 250 - MNT	19530551
34	TIE ROD KNOB M 8 - GREY	19564023
35	GRUB SCREW DIN 916 M 6X8 NE	NE0916006008
36	PARAFETTA MNT 350	19531050
37	SCREW TSP-DIN 963 M 4X08	IX2963004008
38	BLADE COVER KNOB FOR SLICER	19021110
39	PRONG SHOULDER SCREW FOR SLICER	19336052
40	VELA 350 MNT OSSIDATA	19510347
41	PRONG SHOULDER SCREW FOR SLICER	19336052
44	VITE BLOCC.VELA M8 X 24 MRR.300 SV	193350032
46	VITE SENZA TESTA DIN 913 M 8X10 CE	IX2913008010
48	PERNO MOV.+SUPP.VELA IX.MNT 300	19530745
50	VITE SENZA TESTA DIN 913 M 6X20 CE	IX2913006020
52	COVER, TABLE SUPPORT_SLICER PALLADIO	19512260
54	ANELLI D ARRESTO DIN 471 D 08E	IX2471008
56	KNOB, COVER FOR SLICER LEONARDO	19335021
58	HEX.NUT DIN 934 M8	IX2934008
60	WASHER DIN 125 D 8	IX2125008
62	COVER GASKET_SLICER PALLADIO 300	19563060
64	THICKNESS PLATE SLIDE PALLADIO 300	19500150
66	TABLE SLIDE GUIDE FR SLICER 300-370	19540609
68	HEX.NUT DIN 934 M 6	IX2934006
70	SCREW TE DIN 933 M 6X12 T.F.	IX2933006012
75	STUD BOLT 6X25 FOR SLICER	19337002
76	SPRING FOR SLICER	19390760
77	SCREW TCEI DIN 912 M 6X20	IX2912006020
78	HEX.NUT DIN 934 M 6	IX2934006
84	STUD BOLT M6 X 17 FOR SLICER	19337032
90	SLIDE ROD PLD CNV FROM 2008	19336073.08
92	CAM + NEEDLE-ROLLER - PLD, CNV	19563570
94	GRUB SCREW DIN 916 M 6X8 NE	NE0916006008
96	CORRUGATED WASHER 19	19342006
98	KNOB WASHER SLICER 300-370	19562150
99	BUSHING 18.20.20	19324108
102	DIAL KNOB, L53 GREY PLD MNT CNV	19564035
106	SLEEVE RING HOLDER 300-385	19534066

108	RONDELLA PIANA DIN 125 D 10	IX2125010
110	DADO ES. DIN 934 M 10	IX2934010
120	BLADE REMOVAL TOOL 350	19702512
140	OIL BOTTLE	19563008

MANTEGNA 350 VCS CE Tav. 2/4		
Ref.	Product name	Code
202	PIAST. SGANCIO CARR. PLD 300 DAL 08	19533260.08
204	PLATE FOR SLICER	19533200
206	PUSH ROD _ SLICER 300-385 CE	19565001
209	WASHER DIN 125 D 8	IX2125008
211	HEX.NUT DIN 934 M8	IX2934008
212	CARRIAGE SLIDE _SLICER PALLADIO 300	19500560
214	BUSH 22.25.30 FOR SLICER	19324106
218	VITE TE DIN 933 M 6X18 T.F.	IX2933006018
220	STUD BOLT M8 FOR SLICER LEONARDO	19337054
222	HEX.NUT DIN 934 M8	IX2934008
223	HEX ROD,CARRIAGE RELEASE _SLICER	19534036
225	SPACE WASHER	19346015
226	RELEASE BUSHING FOR SLICER 300-330	19534025
227	BEARING ROD FOR SLICER 250-330	19540805
228	LOCKRING(EXT THREADING)FOR SLICER	19534030
230	VITE TE DIN 933 M 6X18 T.F.	IX2933006018
232	CARRIAGE PLATE FOR SLICER 300-330	19533007
236	BEARING FOR SLICER 6000 2RS R11	19320154
242	CARRIAGE ROUND BAR 22X495 _SLICER	19530607
244	SPRING _ROUND RAIL _SLICER 300-330 CE	19390117
246	SLIDE BUMPER LEONARDO 350-385	19560154
247	HEX.NUT DIN 934 M 6	IX2934006
248	SQUARE RAIL FOR SLICER 300-330	19540107
250	VITE TCEI DIN 912 M 8X20	IX2912008020
252	HARDENED PLATE FOR SLICER 300-330	19530807
254	ROUND BAR CHROME SCREW 26	19335002
256	GREY KNOB LEG M10	19564022
257	VITE SENZA TESTA DIN 913 M 10X50 CE	IX2913010050
258	GAMBO MNT 300 OSSIDATO	19510645
259	BUSSOLA INOX GAMBO 300 LNR-MNT	19534022
260	VITE SENZA TESTA DIN 913 M 6X50 CE	IX2913006050
261	BUSHING FOR SLICER 300-370 CE	19534016
262	HEX.NUT DIN 934 M 6	IX2934006
264A	PIATTO CARNI MNT 300 OSS	19510435
264B	PIATTO CARNI MNT 300 Y12 OSS	19510435.12
268	TUBO PER BUSSOLE 16 CARNI MNT 300	19541045
270	ASTINA PIATTO CARNI MNT 300	19530435
272	BUSHING 16,18,20 FOR SLICER	19324107
274	LEVER FOR PUSHER LNR-MNT	19511854
275	DADO X TUBO+BUSS.CARNI NUOVO LNR	19335071
278	PLASTIC BUMPER PUSHER LEVER LNR	19563216
280	PERNO POR.PARAC.P.MERCE MNT 300	19533775
281	BUMPER,END WEIGHT D8XHT6 FOR SLICER	19563200

285	THUMB SCREW FOR LEONRDO BS2 350-385	19335256
286	STAFFA PRESS.+PUNT.CAR. MNT 300	19700135
287A	FLANGIA 350-385 PIASTR.CAR. NEW OSS	19511846
287B	FLANGIA 350-385 PIASTR.CAR. Y12 OSS	19511846.12
288	GRUB SCREW DIN 913 M 5X30 CE	IX2913005030
292	MEAT PRESS BUFFER	19563207
294	SPACER FOR LNR VCS	19522639
299	DIST. MANOPOLA STAFFA BS2 LNR	19335258
300	SHAFT FOR LNR VCS PUSHER	19531306
302	DADO PERNO ROTELLINA P.CARNI MNT	19533662
303	ANELLI D ARRESTO DIN 471 D 08E	IX2471008
304	SCORREV.PIATT.CARNI MNT 300 OSS	19511635
305	PERNO ROTELL.PIATTO BS2 LNR 350-385	19540820
307	ROTELLINA X PIATTO BS2 LNR 350-385	19563654
310	GREY KNOB MEATPRESS	19564021
314	ANELLO PARACOLPO PIATTO MNT 300	19563252
317	VITE TSP- DIN 963 M 5X10	IX2963005010
318	BLOCCH.SCORRIM.CARNI MNT 300 OSS.	19525057
320	HAND GUARD _ SLICER 300-370	19562336
326	SPACER FOR HAND GUARD FOR SLICER	19521609
328	STUD BOLT M6X62 FOR SLICER	19336103
330	RONDELLA F.LARGA DIN 9021 D 6X24	IX29021006024
332	DADO CIECO DIN 1587 M 6	IX21587LC006
336	VITE BLOCCAG.PIATTO MNT 300	19335044
338	SCREW TSP-DIN 963 M 5X12	IX2963005012
340	BLOCCH.INCLIN.CARNI PIATTO LNR OSS.	19525055
346	BLOCCH.PIATTO CARNI NUOVO LNR OSS.	19525058
350	SPESSORE PIATTO CARNI LEO+BS2	19521154

MANTEGNA 350 VCS CE Tav. 3/4		
Ref.	Product name	Code
402	SHARPENER HOUSING _LEON/PALL 300-385	19511252C
404	KNOB M6, GREY	19564029F
406	BUTTON SCREW _ SLICER 250-370	19335025
408	ANELLI D ARRESTO DIN 471 D 08E	IX2471008
409	DEBURRING PUSH BUTTON FOR SLICER	19550208
410	SHARPENER PINS SPRING FOR SLICER	19390309
411	GRUB SCREW DIN 916 M 6X8 NE	NE0916006008
412	DEBURRING PIN FOR SLICER 330-370	19540709
413	NUT ES. DIN 439 M 6 BASSO	IX2439006
414	BUSHING _LEONARDO/PALL.USA	19540718
415	WASHER DIN 125 D 6	IX2125006
416	DEBURRING STONE D.50 H.8 F.8	19300209
418	WASHER DIN 125 D 8	IX2125008
420	HEX.NUT DIN 934 M8	IX2934008
421	DADO ES. DIN 439 M 8 BASSO	IX2439008
424	SHARPENING STUD FOR SLICER 330-370	19540708
430	VIBRATION DAMPER	19560152
432	THUMB SCREW SHARPENER _ LEONARDO	19335023
434	VITE SENZA TESTA DIN 913 M 6X20 CE	IX2913006020

436	BOTTOM ENCLOSURE_ LEONARDO 300-385	19511253C
437	VITE RISCONT.CONICA ANELLO DAL 09	19336055.09
438	HEX.NUT DIN 934 M 6	IX2934006
440	VITE SENZA TESTA DIN 913 M 6X30 CE	IX2913006030
442	PERNO COL.AFFILATOIO FRESATO LNR	19540452.09
444	LOCK BOLT FOR SHARPENER_ LEONARDO	19336056
446	HEX.NUT DIN 934 M 6	IX2934006
456	SHARPENER FOR LEONARDO 300-385	19021352
470	SHARPENING STONE D.48 H15 Y10	19300108C.10

MANTEGNA 350 VCS CE Tav. 4/4		
Ref.	Product name	Code
626	CAPACITOR FOR SLICER 10UF	19410307
628	VITE TE DIN 933 M 6X08 T.F.	IX2933006008
632	RELAIS BOX FOR SLICER	19563127.09
640	PIASTRINA AD U P.CAVO PLD 300-350	19541743
641	VITE TE DIN 933 M 6X08 T.F.	IX2933006008
642	POWER CORD SUKO PA 205	19410530
648B	MOTORE 300 TF C.PIAT.Y11 PLD 380-50	19400407.11
648A	MOTOR 300 D17 P 80 230/50/1	1940010780
650	SCREW TCB+DIN 7981 D 4,2X9,5	IX279814,2009,5
652	GROUND LABEL	19420177
658	GROUND WIRE UL FOR SLICER 300-385	19410739
660	GRUB SCREW DIN 916 M 6X8 NE	NE0916006008
664	MICROSWITCH SINGLE-PHASE	19410201
668	PERNO MOTORE LNR 350-385 SV	19540554
670	GRUB SCREW DIN 913 MX45 CE	IX2913008045
676	STAFFA TIR. MOTORE MNT 300	19540345
680	BOX COVER FOR SLICER +	19563148.09
682	VITE AUTOF.TCB+ DIN 7981 D 3,5X13	IX279813,5013
684A	BOTTOM ENCLOSURE PANEL FOR SLICER	19563160
684B	COPERTURA INFERIORE PLD 300 Y11	19563160.11
688	SCREW TBEI ISO 7380 M 6X12	IX27380006012
690	UPPER HEX ROD OF COVER FOR SLICER	19540752.07
692	PERNO ESAG.SUP. MOTORE MNT	19540746

MANTEGNA 350 VCS CE Tav. u		
Ref.	Product name	Code
700	PIATTO APPOGGIO BILANCIA MNT OSS	19514090
702	SCREW TSP-DIN 963 M 5X12	IX2963005012
704	SPINA CILINDRICA INOX DIN 7 D3X12	IX27003012
706	PIASTRA FISS. PIATTO BILANCIA OSS	19514091
708	VITE TBEI ISO 7380 M 5X10	IX27380005010
710	BOCCOLA CONO BLOCCAGGIO BILANCIA	19530792
712	GUARN. BILANCIA GLL-LNR-MNT	19563090
720	PIASTRA FISS. CELLA BILANCIA MNT	19029090
722	SPINA CILINDRICA INOX DIN 7 D5X14	IX27005014
724	CONO BLOCCAGGIO BILANCIA	19530791
726	ASS. CELLA DI CARICO BILANCIA Y11	19414092A.11
730	PERNO BLOCCAGGIO BILANCIA	19530790

734	SCREW TCEI DIN 912 M 6X30	IX2912006030
735	WASHER DIN 125 D 6	IX2125006
740	SCHEDA POTENZA BILANCIA	19414091
750	SCATOLA INOX COMANDI BILANCIA	19535090
752	VITE TCEI DIN 912 M 4X20	IX2912004020
754	SCHEDA COMANDI BILANCIA	19414090
756	DADO ES. DIN 934 M 4	IX2934004
758	DIST. DCS R 3570 SCHEDA BILANCIA	19561690
760	STAFFETTA SCATOLA COMANDI BILANCIA	19539790
762	SCREW TSP-DIN 963 M 4X08	IX2963004008
770	MOSTRINA COMANDI BILANCIA	19420390
772	BLACK PUSH BUTTON N.O.	19410140
774	WHITE PUSH BUTTON N.O.	19410142

MANTEGNA 350 VCS CE tav.unica		
Ref.	Product name	Code
700	PIATTO INOX BILANCIA MNT Y13	19514090.13
706	PIASTRA FISS. PIATTO BILANCIA OSS	19514091
710	STAFFA SOSTEGNO PIATTO BILANCIA MNT	19530794
712	GUARN. BILANCIA GLL-LNR-MNT	19563090
714	DISTANZIALE CELLA CARICO BILANCIA	19024590
720	PIASTRA FISS. CELLA BILANCIA MNT	19029090
724	CONO BLOCCAGGIO BILANCIA	19530791
726	CELLA DI CARICO BILANCIA Y11	19414092.11
730	PERNO BLOCCAGGIO BILANCIA	19530790
740	SCHEDA POTENZA BILANCIA	19414091
750	SCATOLA INOX COMANDI BILANCIA	19535090
752	VITE TCEI DIN 912 M 4X20	IX2912004020
754	SCHEDA COMANDI BILANCIA	19414090
755	RONDELLA PIANA DIN 125 D 3	IX2125003
758	DIST. DCS R 3570 SCHEDA BILANCIA	19561690
760	STAFFETTA SCATOLA COMANDI BILANCIA	19539790
762	VITE TSP+ DIN 965 M 3X08 ZINC	ZN965003008
770	MOSTRINA COMANDI BILANCIA	19420390
772	BLACK PUSH BUTTON N.O.	19410140
774	WHITE PUSH BUTTON N.O.	19410142