

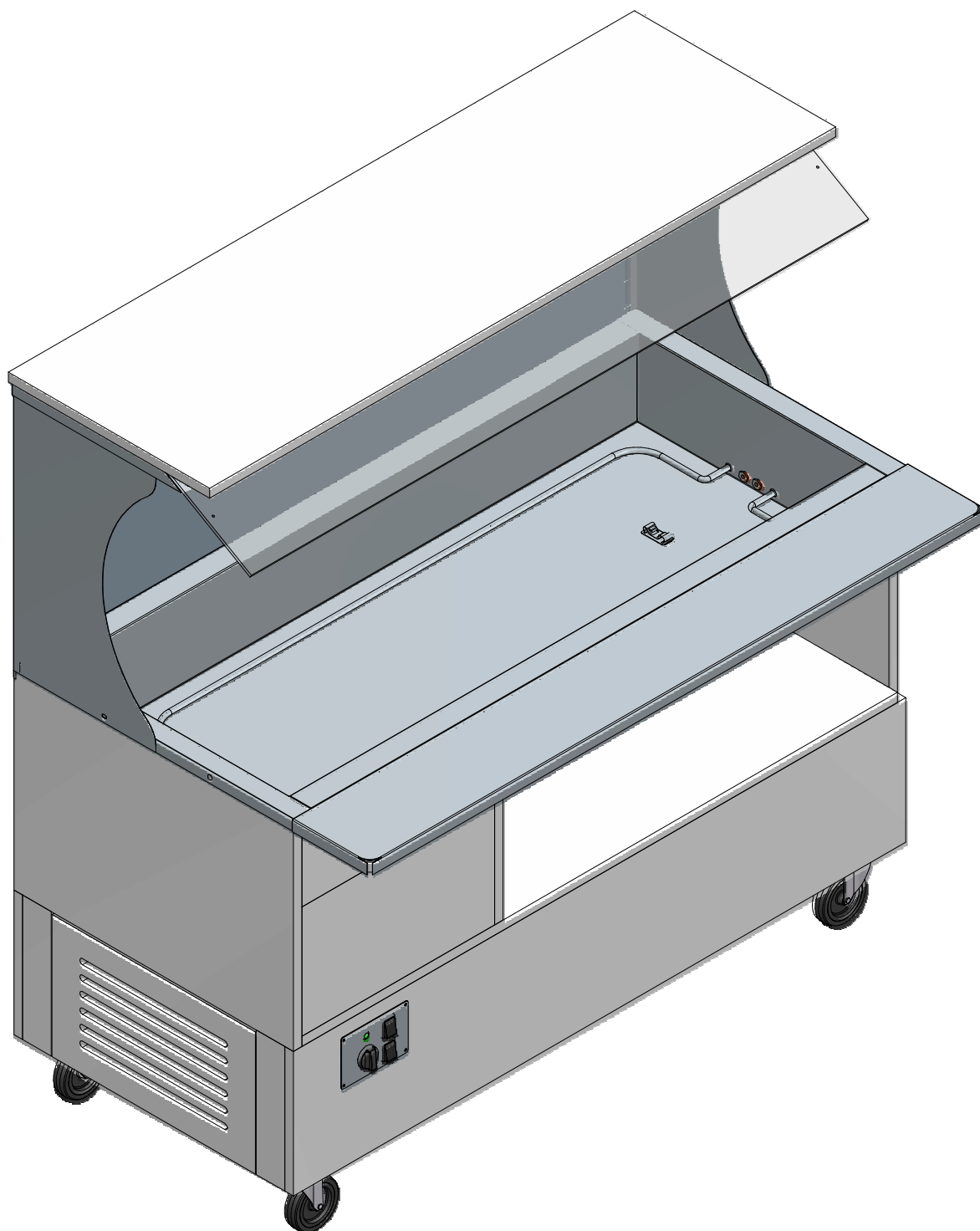
06/2014

Mod: ASB/4A-A1

Production code: SBM 40 F4



Diamond
catering equipment



SBM 40C BLANC + TABLETTES INOX

Vue 3D

DT17_4

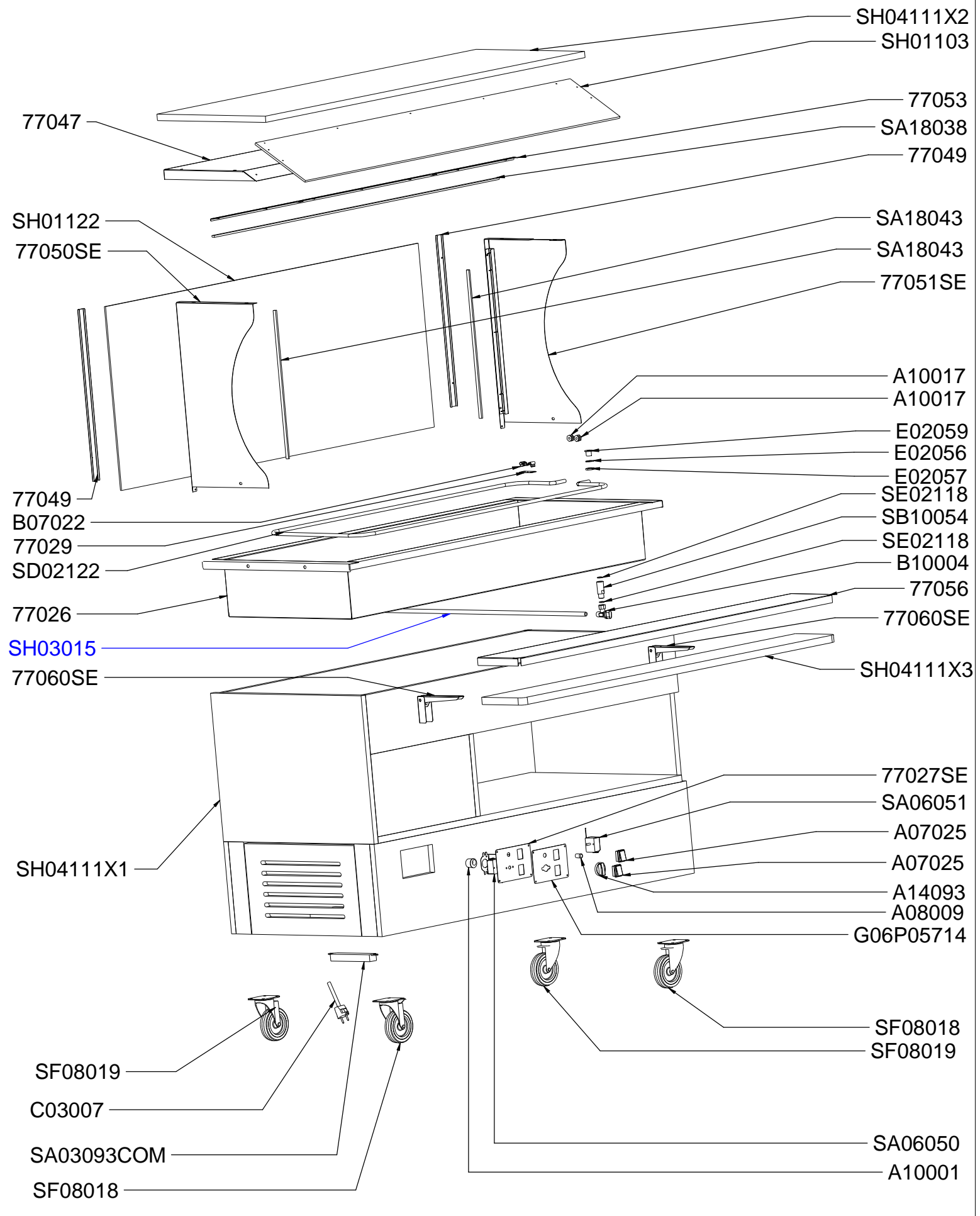
Date :
20/06/2014

Dessiné par :
C.Gu

Approuvé par :
R.Schoenberger

Date :
20/06/2014

Indice
A



SBM 40C BLANC + TABLETTES INOX

Vue éclatée

DT17_4	Date : 20/06/2014	Dessiné par : C.Gu	Approuvé par : H. Dumans	Date : 20/06/2014	Indice A
--------	----------------------	-----------------------	-----------------------------	----------------------	-------------

CODE	QTE	PIECE	SPARE PART
77026	1	CUVE SALAD'BAR CHAUD	CONTAINER HOT SALAD'BAR
77027SE	1	TABEAU COMPOSANT SALAD'BAR CHAUD	CONTROL PANEL HOLDER WARMING SALAD'BAR
77029	1	SUPPORT BULBE THERMOSTAT SALAD'BAR CHAUD	THERMOSTAT HOLDER
77047	1	TOIT SALAD'BAR MURAL	ROOF WALL SALAD'BAR
77049	2	CACHE FIL LED SALAD'BAR MURAL	COVER WIRE LED
77050SE	1	MONTANT GAUCHE SALAD'BAR MURAL	LEFT UPRIGHT WALL SALAD'BAR
77051SE	1	MONTANT DROIT SALAD'BAR MURAL	RIGHT UPRIGHT WALL SALAD'BAR
77053	1	SUPPORT LED SALAD'BAR	LED HOLDER SALAD'BAR
77056	1	TABLETTE INOX	SIDE SHELF STAINLESS STEEL
A07025	2	INTERRUPTEUR NOIR ETANCHE BIP 20A/250V	BLACK SWITCH BIP 20A/250V
A08009	1	VOYANT VERT 230V UL	GREEN PILOT LIGHT 230V UL
A10001	1	SERRE CAB EM,DW106/110,BAR6/12, RST227,FRIT	CORD CLOSER,EM,DW106/110,BAR6/12, RST227FRYER
A10017	2	PRESSE ETOUPE RF 14	CORD CLOSER RF 14
A14093	1	BOUTON NOIR FOUR 26 L 12H	BLACK KNOB OVEN 26 L 12H
B07022	1	CLIPS SUPPORT DE BULBE RF	CLIPS HOLDER BULB
B10004	1	ROBINET BMD-BME	TAP BMD-BME
C03007	1	CORDON H07 RNF 3x1.5 GG/RF FD	CORD H07 RNF 3x1.5 GG/RF FD
E02056	1	JOINT CAOUTCHOUC BM 17 x 23	RUBBER SEAL BM 17 x 23
E02057	1	CONTRE ECROU BM	LOCK NUT BM
E02059	1	BAGUE 3/8	RING 3/8
G06P05714	1	CADRAN	FRONT PANEL
SA03093COM	1	ALIMENTATION LED ASSEMBLEE	LED ALIMENTATION ASSEMBLY
SA06050	1	THERMOSTAT REGULATION SLB MIXTE	REGULATION THERMOSTAT SLB MIXTE
SA06051	1	THERMOSTAT SECURITE SLB MIXTE	SAFETY THERMOSTAT SLB MIXTE
SA18038	1	LED Lg 1250 mm	LED Lg 1250 mm
SA18043	2	LED L= 450 mm	LED L = 450 mm
SB09014	2	CHARNIERE SALAD'BAR	HINGE SALAD'BAR
SB10054	1	RALLONGE CUVE SALAD'BAR	EXTENSION TANK SALAD'BAR
SD02122	1	RESISTANCE 3000 W 230 V SALAD'BAR	HEATING ELEMENT 3000 W 230 V SALAD'BAR
SE02118	2	JOINT 12 x 17	SEAL 12 x 17
SF08018	2	ROUE + FREIN Diam 100 SLB	WHEEL WITH BRAKE DIAM 100 SLB
SF08019	2	ROUE SS FREIN Diam 100 SLB	WHEEL WITHOUT BRAKE DIAM 100 SLB
SH01103	1	PLEXIGLAS SALAD'BAR MURAL	PLEXIGLASS WALL SALAD'BAR
SH01122	1	MIROIR	MIRROR
SH03015	1	TUYAU SILICONE 8 x 12	SILICONE PIPE 8 x 12
SH04111	1	MEUBLE BLANC	FURNITURE WHITE
SH04111X1	1	CAISSON BLANC	BOX WHITE
SH04111X2	1	TOIT BLANC	ROOF WHITE
SH04111X3	1	TABLETTE BLANC	SHELF WHITE

SBM 40C BLANC + TABLETTES INOX

Nomenclature

DT17_4

Date :
20/06/2014

Dessiné par :
C.Gu

Approuvé par :
J.Godéré

Date :
20/06/2014

Indice
A

Produit concerné :	
Code	Cadran / Front panel
P05714D02	G06825

SBM 40C BLANC + TABLETTES INOX

Cadran

DT17_4

Date :
20/06/2014

Dessiné par :
C.Gu

Approuvé par :
J.Godéré

Date :
20/06/2014

Indice
A