

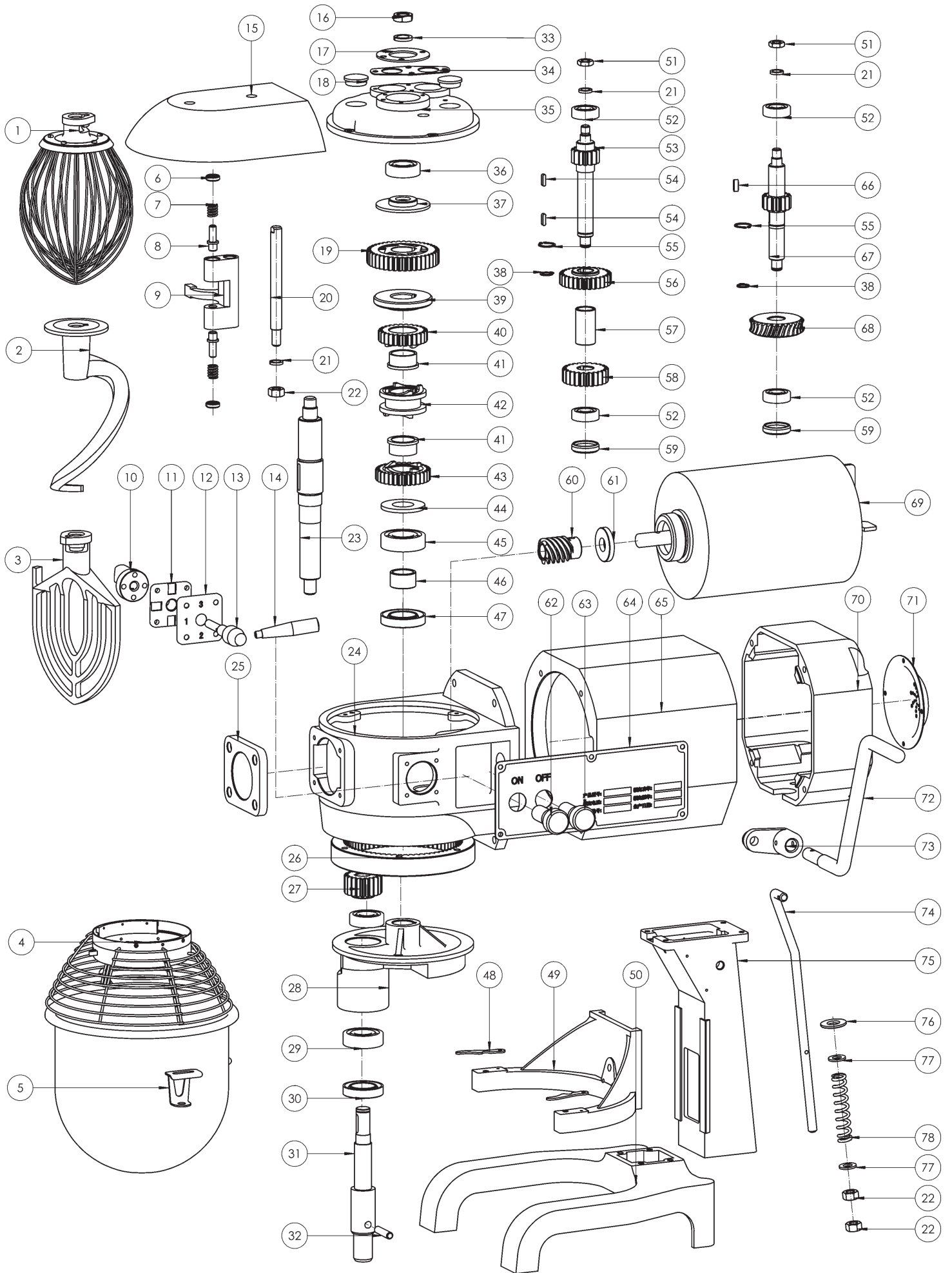
11/2013

Mod: BM-20AT/N

Production code: 60302002



Diamond
catering equipment



PLUTONE 20 CE

Ref.	Product name	Code
-	DISTANCE SWITCH PLT 20LT	CNP20-50506058
-	POWER CORD PLT 20LT	CNP20-50510004
-	CONTACT SWITCH PLT 20LT	CNP20-50502008
-	OVERLOAD SWITCH PLT 20LT	CNP20-50503008
-	START CAPACITOR PLT 20LT	CNP20-50505010
-	WORKING CAPACITOR PLT 20LT	CNP20-50505003
1	FRUSTA PLT 20LT	CNP20-40506300
2	GANCIO PLT 20LT	CNP20-40506500
3	SPATOLA PLT 20LT	CNP20-40506200
4	GRIGLIA PROTEZ. PENTOLA PLT 20LT	CNP20-40506700
5	BOWL FOR PLUTONE 20	CNP20-50401006
6	PLUNGER-SHIFTER YOKE PLT 20LT	CNP20-50405064
7	MOLLA PLT 20LT	CNP20-50406021
8	ALBERINO PLT 20LT	CNP20-50405029
9	SUPPORTO ALBERINO PLT 20LT	CNP20-40503600
10	CAMMA CAMBIO VELOCITA PLT 20LT	CNP20-40502900
11	COPERCHIO INTERNO SELETT. PLT 20LT	CNP20-40503100
12	MOSTRINA SELETTORE 3V PLT 20LT	CNP20-50405016
13	GAMBO MANIGLIA PLT 20LT	CNP20-40503300
14	MANIGLIA PLT 20LT	CNP20-40303300
15	COPERCHIO SUPERIORE PLT 20LT	CNP20-40507000
16	DADO PLT 20LT	CNP20-50304020
17	PIASTRINA SPES. TONDA PLT 20LT	CNP20-50405052
18	TAPPO PLT 20LT	CNP20-50405032
19	INGRANAGGIO PLT 20LT	CNP20-40501500
20	PERNO PLT 20LT	CNP20-40503500
21	RONDELLA PLT 20LT	CNP20-50308006
22	DADO PLT 20LT	CNP20-50304006
23	ALBERINO TRASCINAMENTO PLT 20LT	CNP20-40501400
24	SCATOLA RIDUTTORE PLT 20LT	CNP20-40502300
25	COPERCHIO FRONTALE PLT 20LT	CNP20-50405015
26	INGRANAGGIO INTERNO PLT 20LT	CNP20-40502400
27	INGRANAGGIO PLT 20LT	CNP20-40502600
28	COPERCHIO INF. RIDUTTORE PLT 20LT	CNP20-40502700
29	CUSCINETTO PLT 20LT	CNP20-50301006
30	PARAOLIO PLT 20LT	CNP20-50310008
31	ALBERO TRASCINAMENTO PLT 20LT	CNP20-40502800
32	PERNO ALBERO PLT 20LT	CNP20-50306030
33	SPRING PLT 20LT	CNP20-50308008
34	PIASTRINA SPES. OVALE PLT 20LT	CNP20-50405051
35	COPERCHIO SUP. RIDUTTORE PLT 20LT	CNP20-40500700
36	CUSCINETTO PLT 20LT	CNP20-50301005
37	SPESSORE INF. PLT 20LT	CNP20-40501300

38	RONDELLA PER ALBERO PLT 20LT	CNP20-50312002
39	CONO RUOTA DENTATA PLT 20LT	CNP20-40507200
40	INGRANAGGIO PLT 20LT	CNP20-40501700
41	BOCCOLA PLT 20LT	CNP20-50405041
42	SUPPORTO INGR. PLT 20LT	CNP20-40501800
43	INGRANAGGIO PLT 20LT	CNP20-40502000
44	ANELLO PLT 20LT	CNP20-40502100
45	CUSCINETTO PLT 20LT	CNP20-50301007
46	BOCCOLA PLT 20LT	CNP20-40502200
47	PARAOLIO PLT 20LT	CNP20-50310010
48	FERMO PENTOLA PLT 20LT	CNP20-50405074
49	SUPPORTO PENTOLA PLT 20LT	CNP20-40504400
50	BASE PLT 20LT	CNP20-40504700
52	CUSCINETTO PLT 20LT	CNP20-50301003
53	PERNO C/INGRANAGGIO PLT 20LT	CNP20-40501100
54	CHIAVETTA PLT 20LT	CNP20-50313013
55	ANELLO PLT 20LT	CNP20-50312006
56	INGRANAGGIO PLT 20LT	CNP20-40501000
57	BOCCOLA PLT 20LT	CNP20-40500600
58	INGRANAGGIO PLT 20LT	CNP20-40500500
59	TAPPO PLT 20LT	CNP20-40503800
60	VITE SENZA FINE PLT 20LT	CNP20-50405025
61	PARAOLIO PLT 20LT	CNP20-50310002
62	GREEN BUTTON, PLT 20	CNP20-50506026
63	RED BUTTON, PLT20	CNP20-50506029
64	MOSTRINA ON/OFF PLT 20LT	CNP20-50402024
65	SCATOLA MOTORE PLT 20LT	CNP20-40500300
67	PERNO C/INGRANAGGIO PLT 20LT	CNP20-40500900
68	INGRANAGGIO PLT 20LT	CNP20-40500800
69	MOTORE PLT 20LT	CNP20-50501016
70	COPERCHIO POSTERIORE PLT 20LT	CNP20-40500200
71	COPERCHIETTO POSTERIORE PLT 20LT	CNP20-40500100
72	LEVA SOLLEVAMENTO PLT 20LT	CNP20-40505600
73	MANOVELLA LEVA SOLLEV. PLT 20LT	CNP20-40505400
74	TIRANTE PLT 20LT	CNP20-40505200
75	CORPO VERTICALE PLT 20LT	CNP20-40504100
78	MOLLA PLT 20LT	CNP20-50406005