

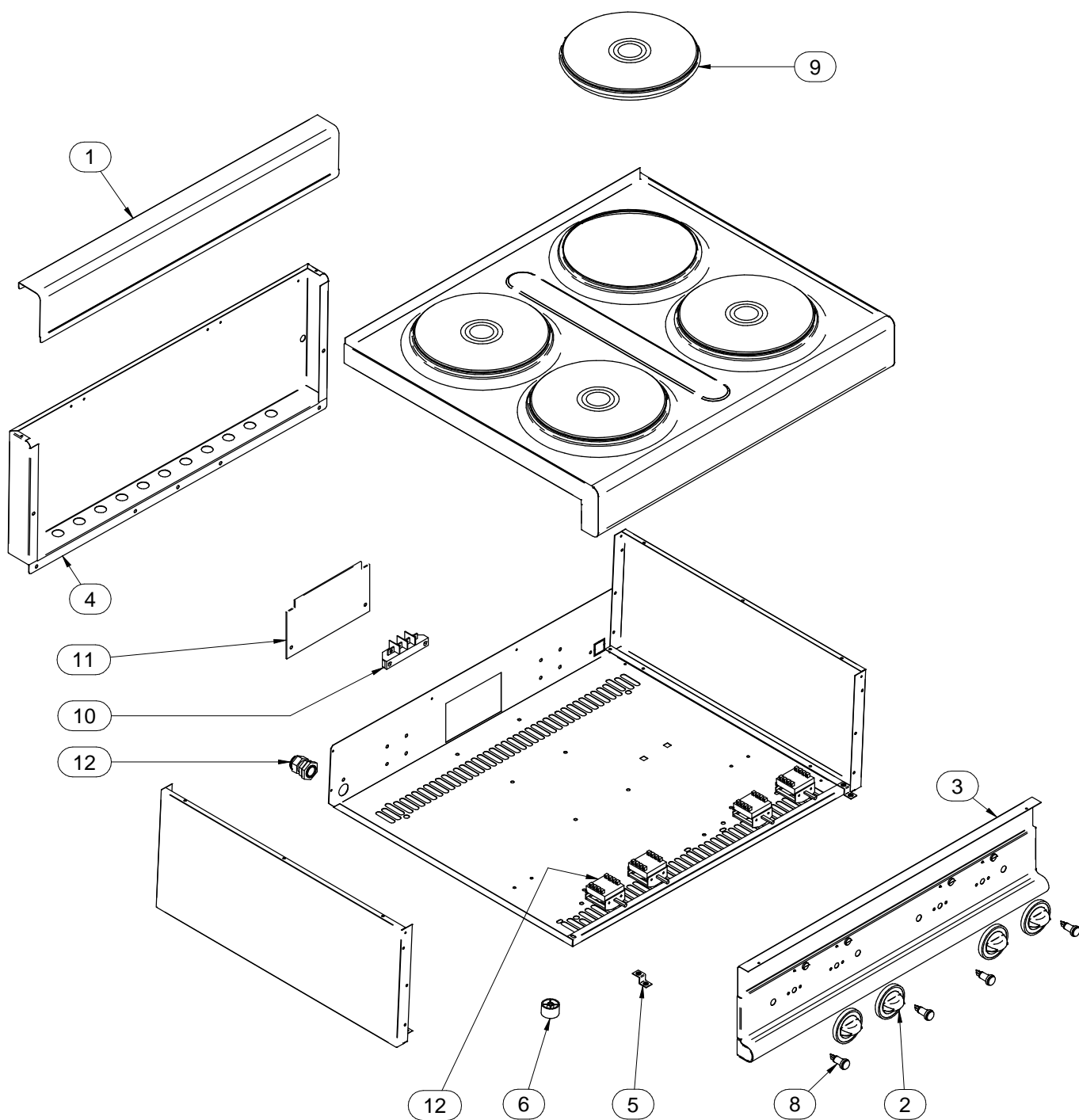
06/2017

Mod: E65/4P7T

Production code: 65/70 PCE



Diamond
catering equipment



Modello Type:	65/70 PCE				cod. / num. 2531511.00	
					data / date: 25/07/2013	
POS. ITEM	CODICE CODE	DESCRIZIONE	DESCRIPTION	DENOMINATION	BENENNUNG	NOTE / NOTES
1	611.006.00	ALZATINA	UPSTAND	DOSSERET	AUFKANTUNG	
2	612.070.00	MANOPOLA	KNOB	BOUTON	DREHKNOPF	
3	256.162.00	CRUSCOTTO	CONTROL PANEL	BANDEAU	BEDIENBLLENDE	
4	621.028.00	PANNELLO POSTERIORE	BACK PANEL	PANNEAU POSTERIEUR	HINTERBRETT	
5	256.002.00	STAFFA FISSAGGIO CRUSCOTTO	CONTROL PANEL FIXING BRACKET	EQUERRE FIXATION BANDEAU	BEFESTIGUNGSWINKEL BEDIENBLLENDE	
6	651.001.00	PIEDINO	FOOT	PIED	STELLFUSS	FROM - 01/1999 TO - 05/2013
	651001.13	PIEDINO	FOOT	PIED	STELLFUSS	FROM - 06/2013 TO -
7	661.002.00	COMMUTATORE	CHANGE-OVER SWITCH	COMMUTATEUR	UMSCHALTER	
8	663.043.00	SPIA VERDE	GREEN INDICATOR LIGHT	LAMPE TEMOIN VERTE	GRUENE KONTROLLAMPE	
9	665.006.00	PIASTRA ELETTRICA	ELECTRIC PLATE	PLAQUE ELECTRIQUE	ELEKTROKOCHPLATTE	
10	663.036.00	MORSETTIERA	TERMINAL BOARD	BORNES	KLEMMENBRETT	
11	623.006.00	COPERCHIO MORSETTIERA	TERMINAL BOARD COVER	COUVERCLE BORNE	DECKEL DES KLEMMENBRETTES	
12	256.114.00	PRESSACAVO	CABLE GLAND	PRESSE-ÉTOUPE	KABELVERSCHRAUBUNG	
13						
14						
15						
16						
17						
18						
19						