

08/2018

# Mod: E7/BRI8

Production code: BBEBR77

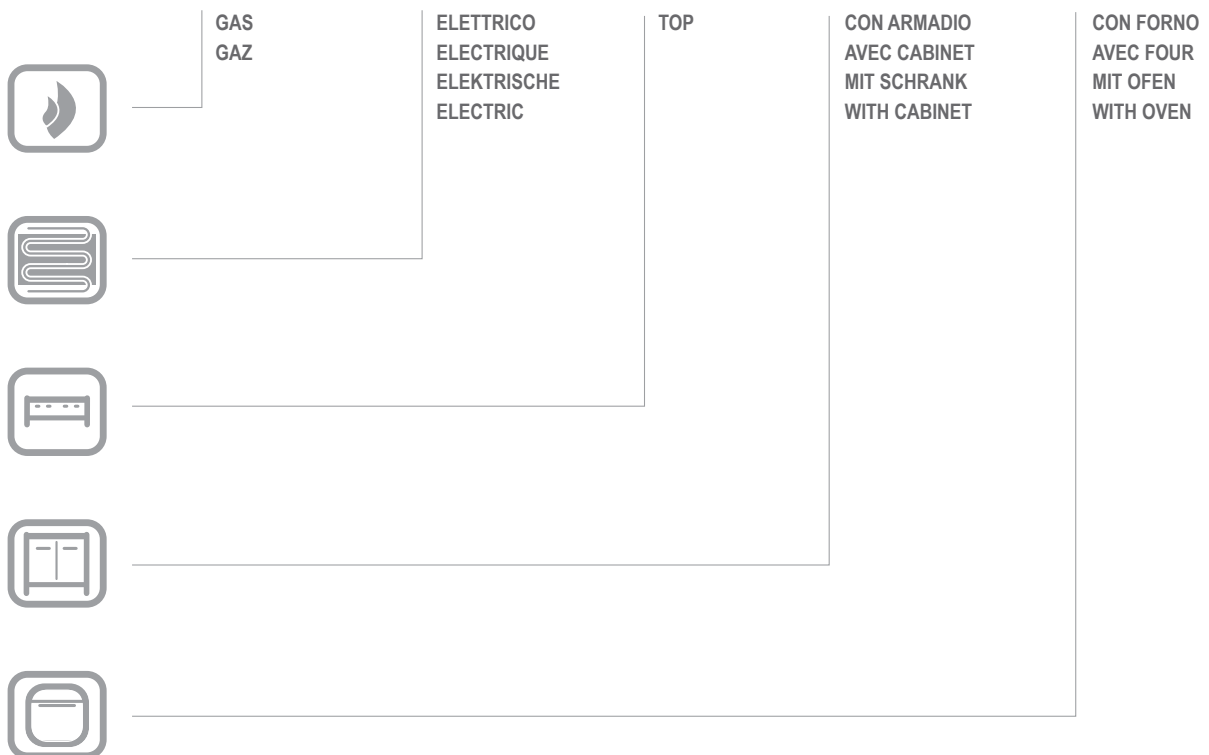


**Diamond**  
catering equipment

# BBEBR77 / BBEBRI77

EBR77 / EBRI77

CATALOGO PARTI DI RICAMBIO  
CATALOGUE PIECES DETACHEES  
ERSATZTEILKATALOG  
SPARE PARTS CATALOGUE



Catalogo parti di ricambio valido  
dalla matricola 0000001 (01.10.2013) ad oggi (03.08.2018)

Catalogue pieces detachees  
valable à partir du numero de Série n. 0000001 (01.10.2013) jusqu'à aujourd'hui (03.08.2018)

Ersatzteilkatalog  
gültig ab Serien-Nr. 0000001 (01.10.2013) bis heute (03.08.2018)

Spare parts catalogue  
valid from serial no. 0000001 (01.10.2013) up today (03.08.2018)

Catálogo de peças de reposição  
válido do número de série 0000001 (01.10.2013) até hoje (03.08.2018)

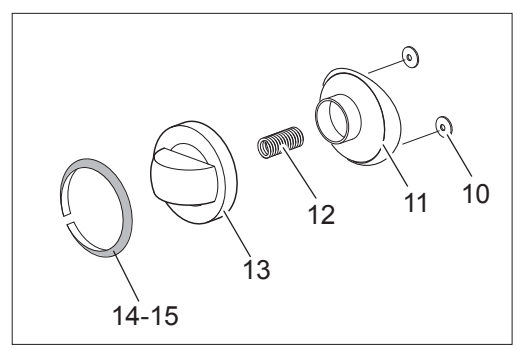
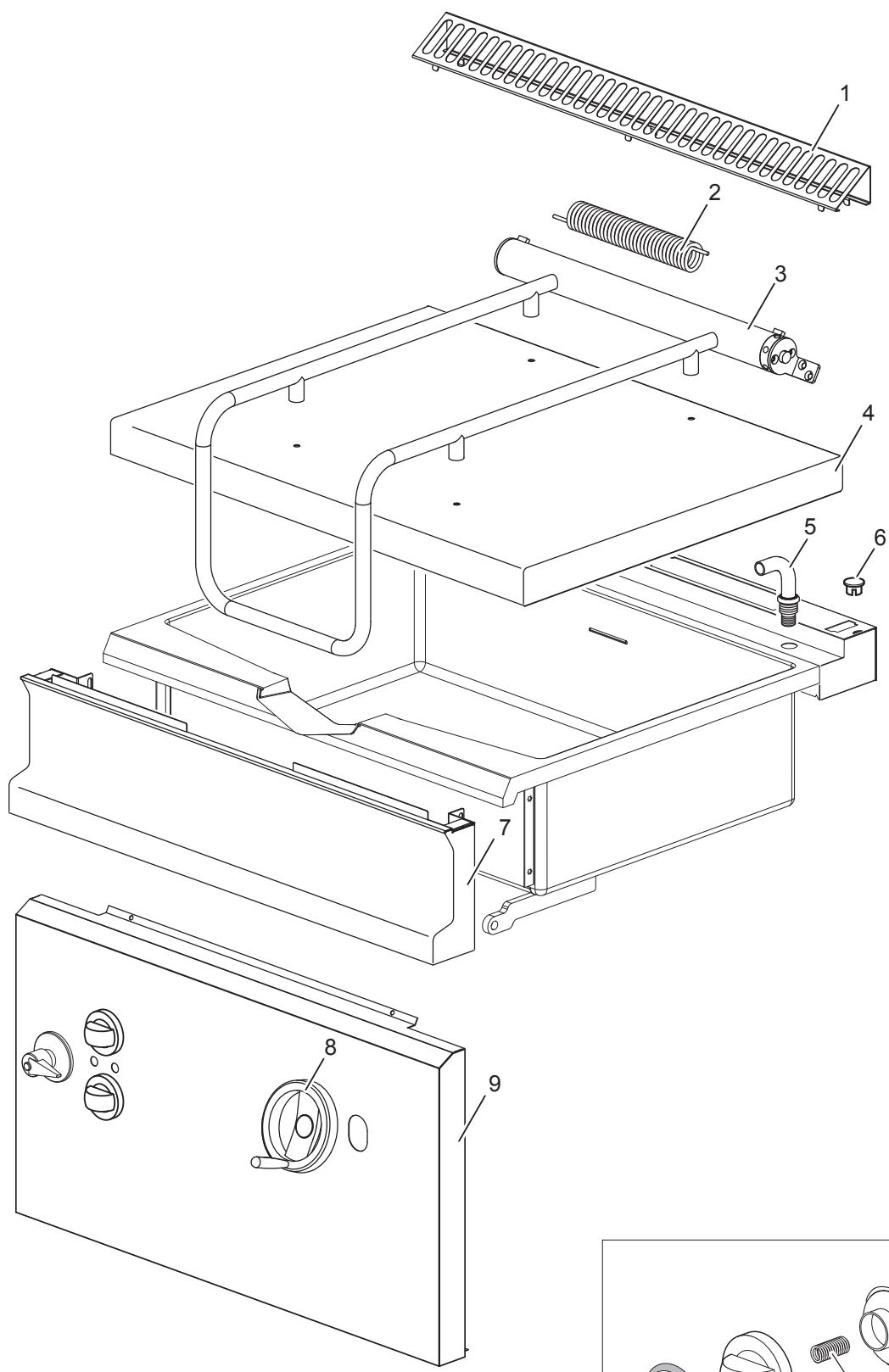
Le informazioni sono considerate non vincolanti. Le immagini rappresentate sono puramente indicative. Il produttore si riserva il diritto di apportare modifiche in qualsiasi momento senza preavviso.

Les informations données ne sont pas contraignantes. Les images montrées sont à titre indicatif. Le producteur se réserve le droit d'apporter des modifications sans préavis.

Die im vorliegenden Dokument aufgeführten Informationen und Bilder sind unverbindlich. Der Hersteller behält sich das Recht vor, jederzeit ohne vorherige Ankündigung Änderungen vorzunehmen

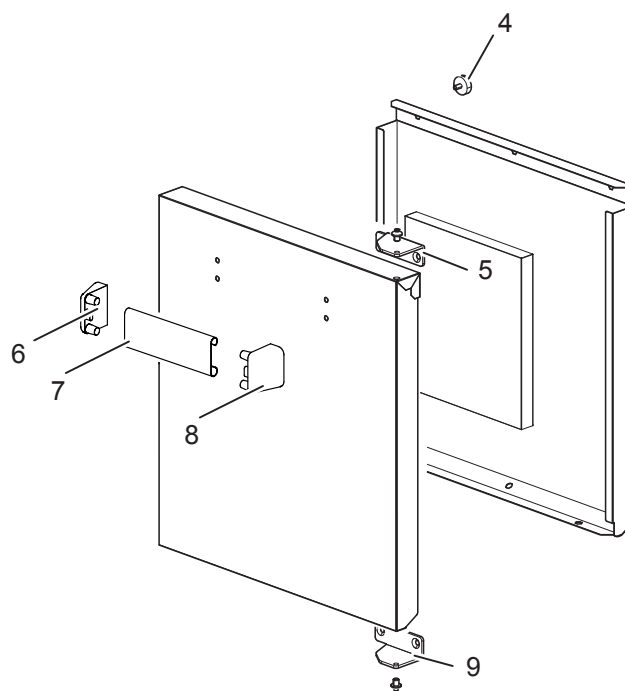
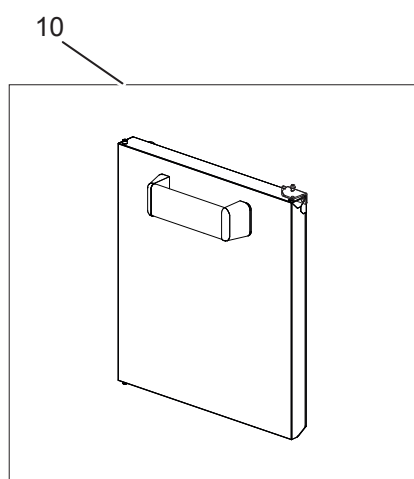
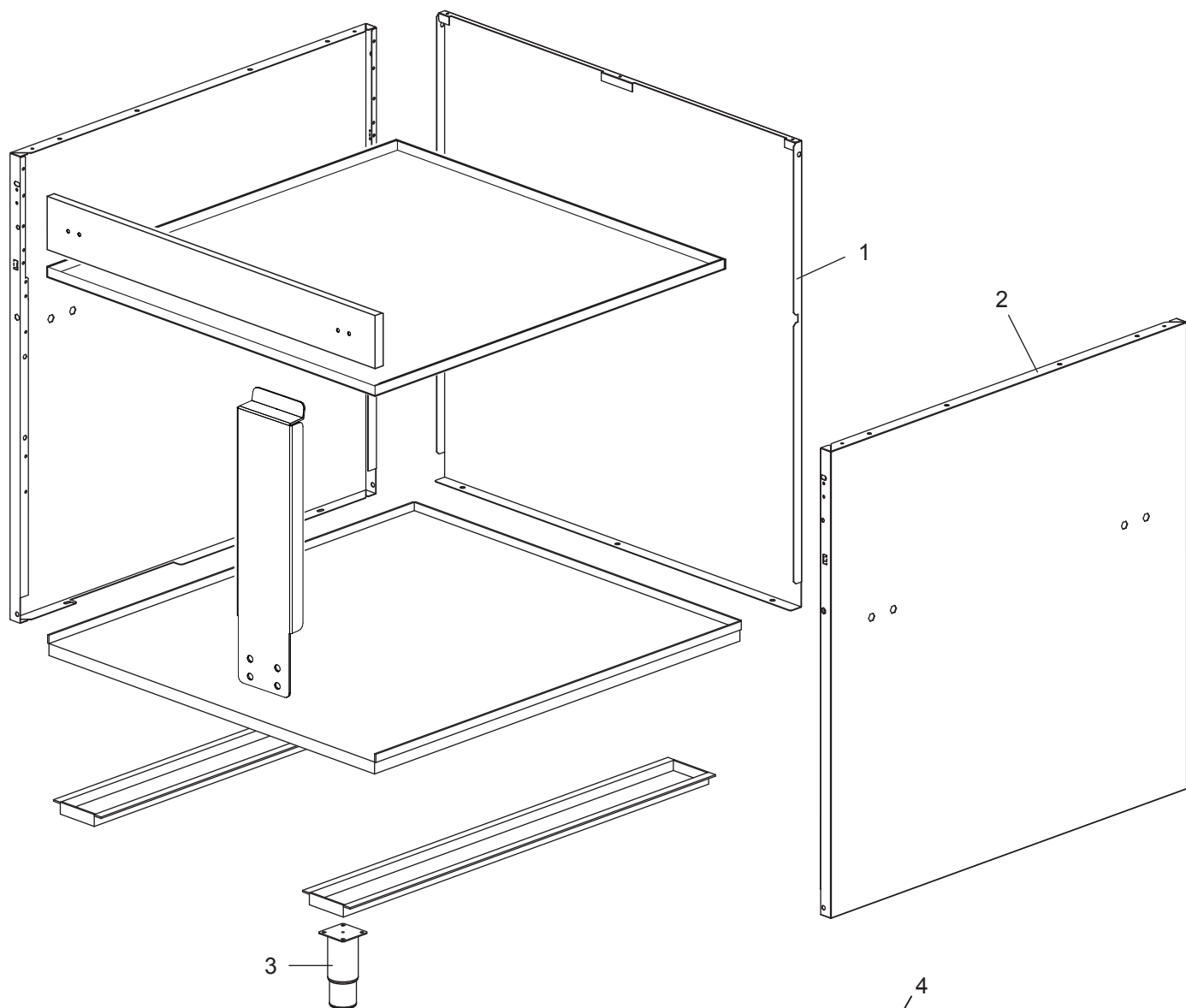
Info and drawing could be slightly different from reality and they cannot be considered as compelling. Manufacturer can modify info anytime without forewarning.

As Informações e desenhos podem estar um pouco diferente da realidade e são puramente indicativas. O fabricante pode modificar estas informações a qualquer momento sem aviso prévio.



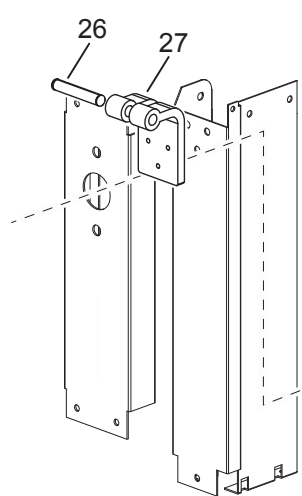
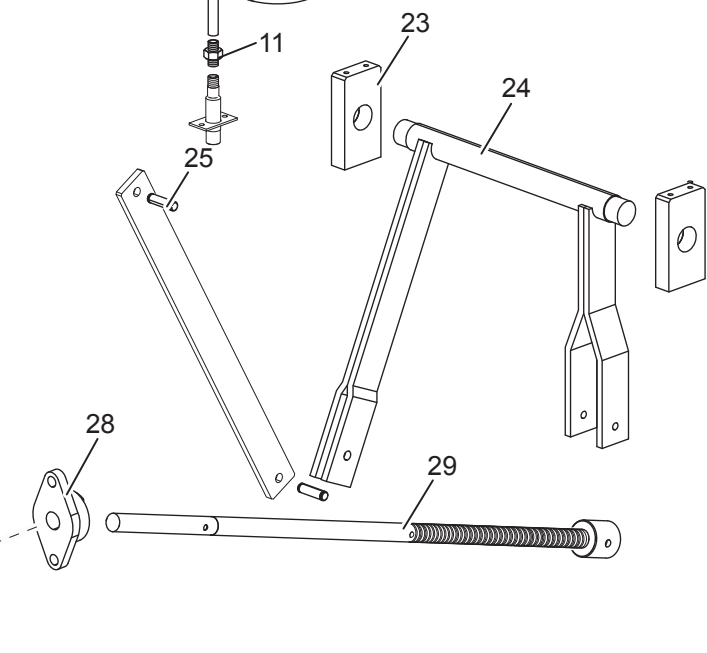
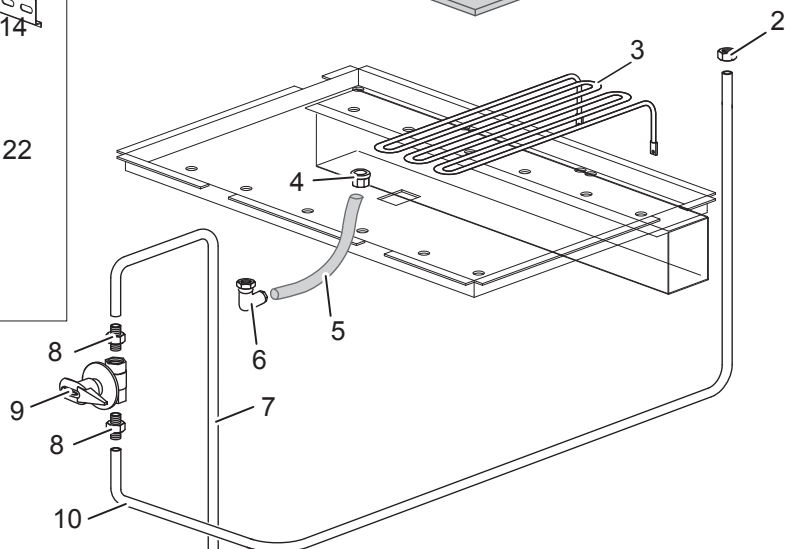
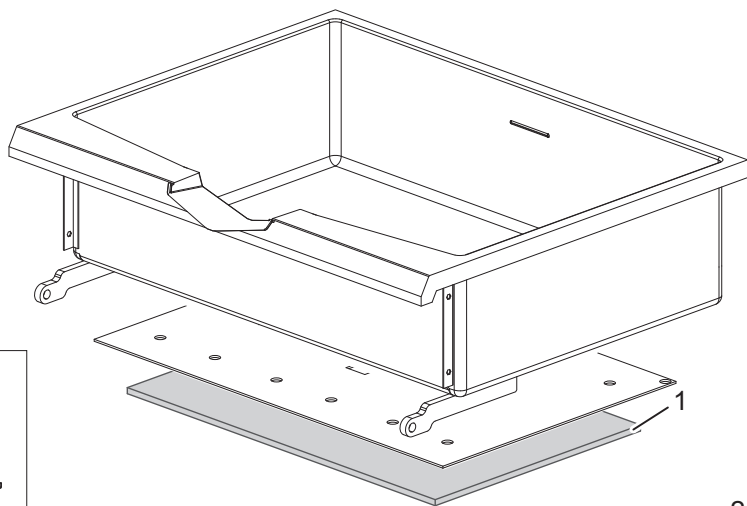
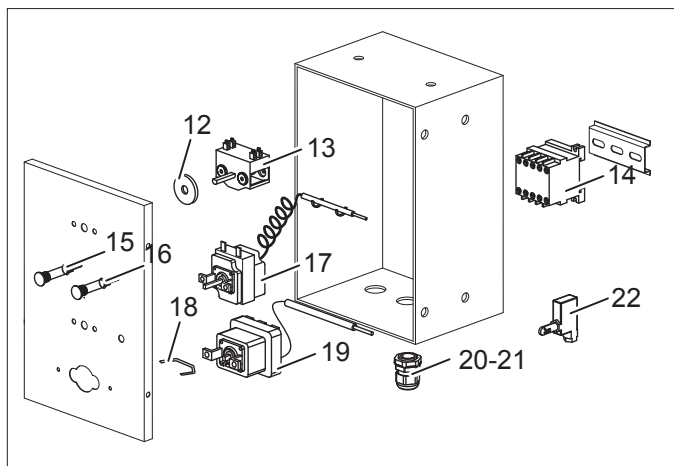
# Listino componenti per pagina 1

1	182800	GRIGLIA CAMINO GRILLE POUR CHEMINÉE KAMINROST CHIMNEY GRILL	
2	RTCP800026  <i><u>Recommended spare parts</u></i>	MOLLA CERNIERA RESSORT CHARNIERE SCHARNIERFEDER HINGE SPRING	
3	169419	GRUPPO CERNIERA COMPLETA CHARNIERE COMPLETE DECKELSCHARNIER KOMPLETT COMPLETE HINGE	
4	185591	COPERCHIO COUVERCLE DECKEL COVER	
5	167439	EROGATORE ACQUA ROBINET EAU WASSERAUSLAUF WATER EROGATOR	
6	163603	GIUNZIONE FISSAGGIO PIANO FIXATURE DE PLAN TOPVERBINDUNG TOP CONNECTION	
7	188470	CRUSCOTTO PANNEAU DE CONTROLE FRONT BLENDE CONTROL PANEL	
8	165900  <i><u>Recommended spare parts</u></i>	VOLANTINO MANIVELLE KURBEL HANDWHEEL	
9	180548	FACCIATA FACADE FRONT ABDECKUNG FRONT PANEL	
13	186336  <i><u>Recommended spare parts</u></i>	CORPO MANOPOLA COMMUTATORE POIGNEE COMMUTATEUR UMSCHALTER-KNOPFKOERPER COMMUTATOR KNOB	
14	169364  <i><u>Recommended spare parts</u></i>	ANELLO MANOPOLA COMMUTATORE RING COMMUTATEUR KLEBERING KNEBEL TAKTSCHALTER SWITCH RING	
15	169375  <i><u>Recommended spare parts</u></i>	ANELLO MANOPOLA TERMOSTATO RING THERMOSTAT KLEBERING KNEBEL THERMOSTAT THERMOSTAT RING	



## Listino componenti per pagina 2

1	169604	POSTERIORE ARRIERE RÜCKWAND BACK SIDE	
2	173523	FIANCO TOLE LATERAL SEITENWAND LATERAL SIDE	
3	RTCU700277	PIEDE PIED FUSS FOOT	





## Listino componenti per pagina 3

1	PACU700189	PANNELLO ISOLANTE PANNEAU ISOLANT ISOLIERUNGSPANEL INSULATING PANEL	
2	RTCP800013	DADO 1/2" CALOTTE 1/2" MUTTER 1/2" NUT 1/2"	
3	RTCU700646  <i><u>Recommended spare parts</u></i>	RESISTENZA 3KW RESISTANCE 3KW HEIZKÖRPER 3KW HEATING ELEMENT 3KW	
4	173143	MANICOTTO TENUTA MANCHE MUTTER SLEEVE	
5	173141	GUAINA GAINE SCHUTZROHR SHEATH	
6	173142	GOMITO COUDE ROHRBOGEN CRANK	
7	173369	TUBO ALIMENTAZIONE RUBINETTO ACQUA CONDUIT ALIMENTATION ROBINET EAU ZULAUFROHR FÜLLVENTIL ALIMENTATION PIPE FOR WATER TAP	
8	RTCU900132	NIPLES 1/2"-3/8" NIPPLE 1/2"-3/8" DOPPELNIPPEL 1/2"-3/8" NIPPLE 1/2"- 3/8"	
9	RTCU600075  <i><u>Recommended spare parts</u></i>	RUBINETTO CARICO ACQUA ROBINET CHARGE EAU FÜLLVENTIL HEIZWASSER WATER FILLING TAP	
10	173368	TUBO ALIMENTAZIONE EROGATORE ACQUA CONDUIT ALIMENTATION ROBINET DE L'EAU ZULAUFROHR AUSLAUSHAHN ALIMENTATION PIPE FOR WATER EROGATOR	
11	RTCU900103	NIPLES 3/8" NIPPLE 3/8" NIPPEL 3/8" NIPPLE 3/8"	
12	RTCU800185  <i><u>Recommended spare parts</u></i>	GUARNIZIONE ASTA COMMUTATORE JOINT POUR BARRE DU COMMUTATEUR DICHTUNG WELLE TAKTSCHALTER GASKET FOR COMMUTATOR ROD	
13	RTCU700212  <i><u>Recommended spare parts</u></i>	COMMUTATORE COMMUTATEUR TAKTSCHALTER COMMUTATOR	
14	RTFOC00466  <i><u>Recommended spare parts</u></i>	RELE RELAIS SCHÜTZ RELAIS CONTATOR	
15	166465  <i><u>Recommended spare parts</u></i>	LAMPADINA SPIA VERDE LAMPE TEMOIN VERTE GRUNE KONTROLLEUCHTE GREEN WARNING LIGHT	

16	166466 <i><u>Recommended spare parts</u></i>	LAMPADINA SPIA ARANCIONE LAMPE DE SIGNALATION ORANGE ORANGE KONTROLLEUCHTE ORANGE LAMP LIGHT	
17	RTCU700085 <i><u>Recommended spare parts</u></i>	TERMOSTATO DI LAVORO THERMOSTAT DE TRAVAIL ARBEITSTHERMOSTAT WORKING THERMOSTAT	
18	PABF900217	SQUADRETTA PLAQUE WINKEL PLATE	
19	RTBF800192 <i><u>Recommended spare parts</u></i>	TERMOSTATO DI SICUREZZA THERMOSTAT DE SECURITE SICHERHEITSTHERMOSTAT SAFETY THERMOSTAT	
20	RTBF800138	F/CAVO PG21 SERRE CABLE PG21 KABELDURCHFÜHRUNG PG21 CHOCK PG21 PRENSA CABO PG21	
21	RTBF800139	F/CAVO PG13 SERRE CABLE PG13 KABELDURCHFÜHRUNG PG13 CHOCK PG13 PRENSA CABO PG13	
22	RTBF800113 <i><u>Recommended spare parts</u></i>	MICROINTERRUPTORE MICRO INTERRUPTEUR MIKROSCHALTER MICRO SWITCH	
23	RTCU700512	SUPPORTO RIBALTATORE SUPPORT DE BASCULEUR TRÄGER KIPPWELLE TILTER SUPPORT	
24	RTCU700509	RIBALTATORE VASCA BASCULEUR KIPPGESTÄNGE TILTER	
25	RTBF900096	PERNO FISSAGGIO PROLUNGA BROCHE DE FIXATION PROLONGATION VERBINDUNGSSTIFT Û	
26	RTCU700503	PERNO CERNIERA ANTERIORE AXE DE CHARNIERE AVANT STIFT SCHARNIER VORN FRONT HINGE PIN	
27	174580	CERNIERA ANTERIORE CHARNIERE AVANT SCHARNIER VORN FRONT HINGE	
28	RTCU700504	SUPPORTO OSCILLANTE ROULEMENT LAGERBOCK WELLENGELENK BEARING	
29	182078	VITE RIBALTATORE+BUSSOLA VIS BASCULEUR+MANCHE GEWINDEWELLE+BUCHSE TILTER SCREW + SLEEVE	