

11/2016

Mod: EDI/F104

Production code: 65/40 FRE10-D

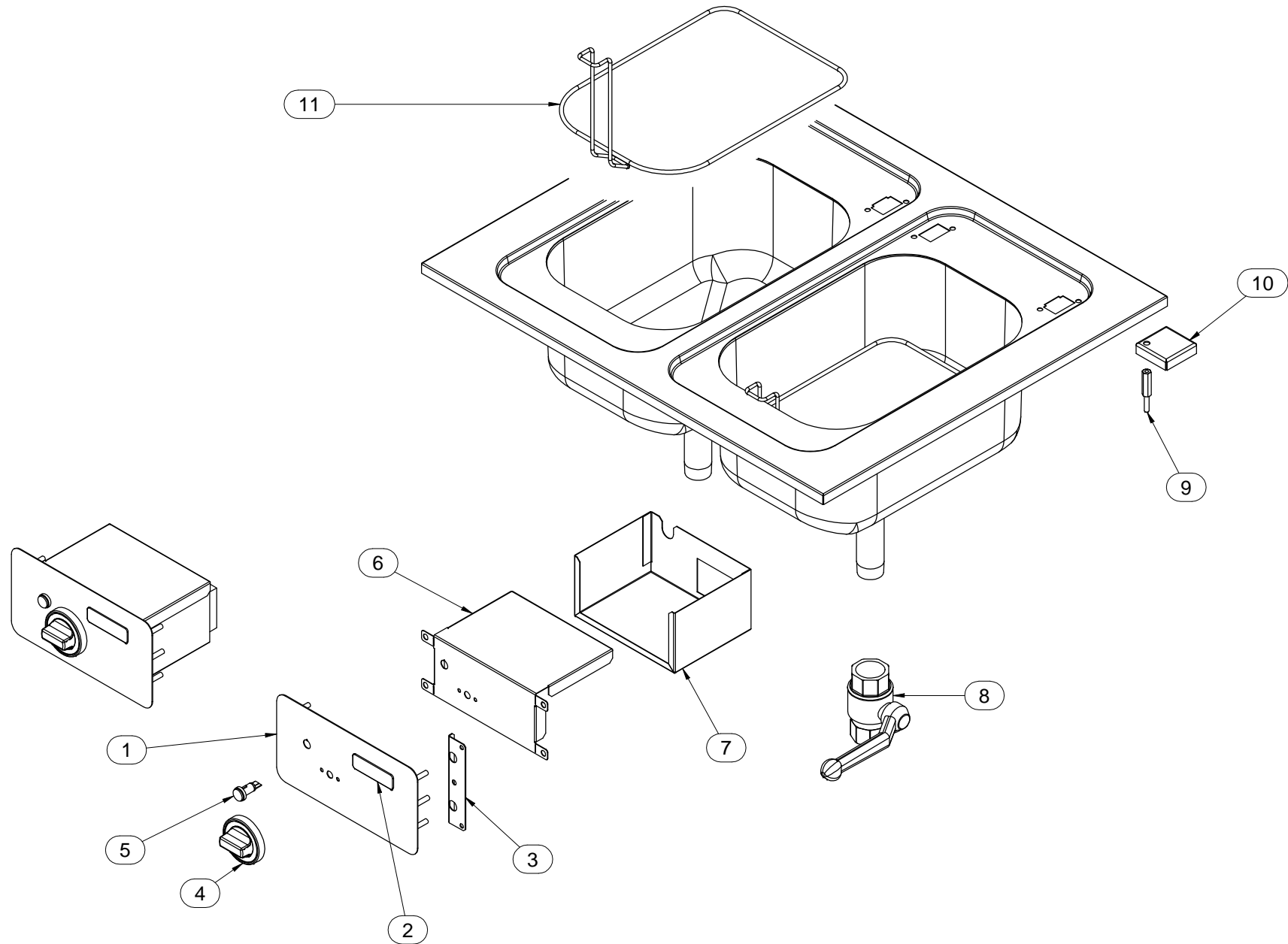


Diamond
catering equipment

Mod./Type: **_65/... FRE...-D**

cod./num. 2532358.00

data/date: 07/11/2016



Mod./Type: **_65/... FRE...-D**

cod./num. 2532360.00

data/date: 08/11/2016

