

11/2016

Mod: EDI/PLCD4 (230V/3)

Production code: 65/40 FTE-CR-D (230V/3)

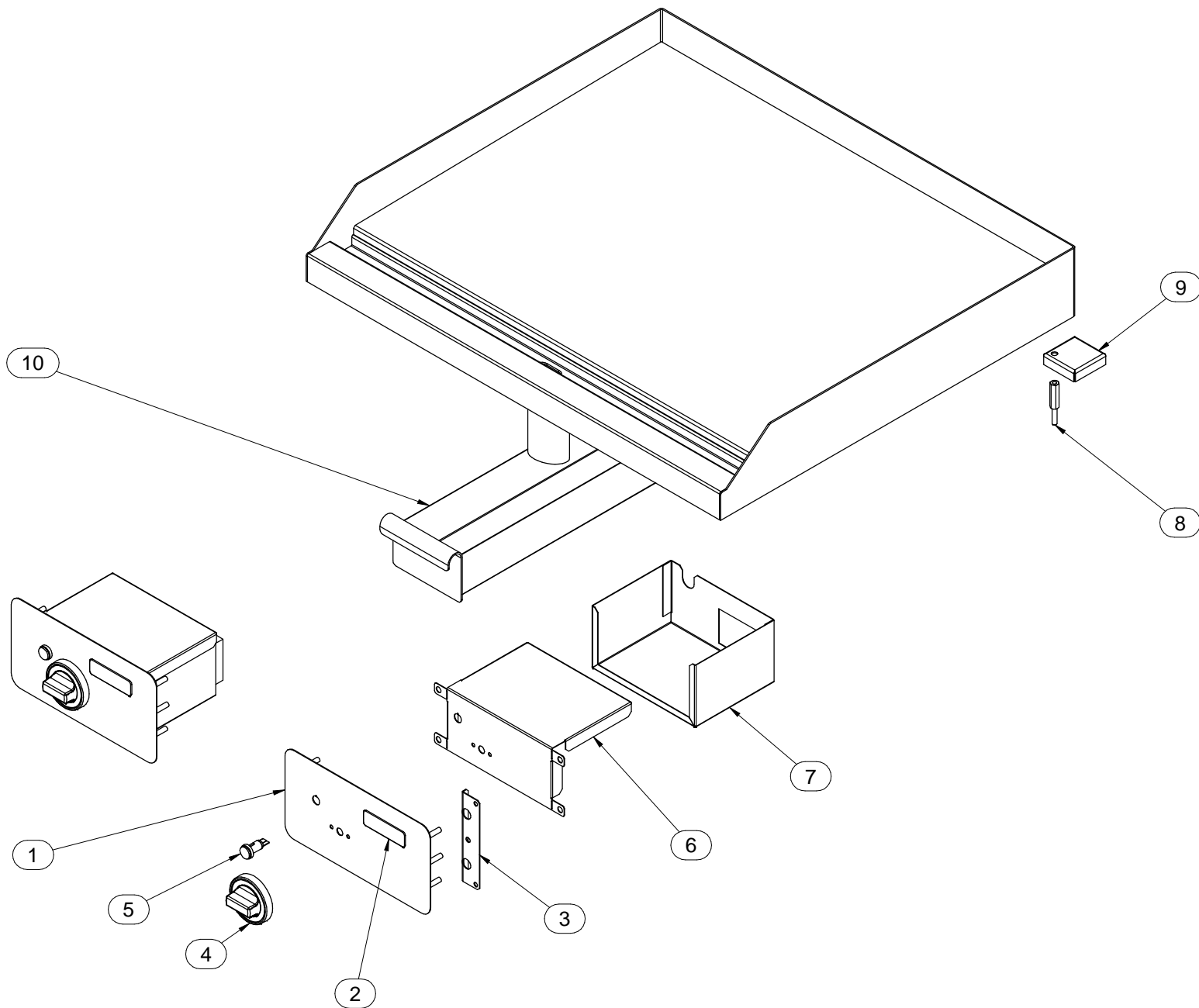


Diamond
catering equipment

Mod./Type: **_65/... FT...E...-D**

cod./num. 2532343.00

data/date: 02/11/2016



Mod./Type: **_65/... FT...E...-D**

cod./num. 2532345.00

data/date: 02/11/2016

