

12/2016

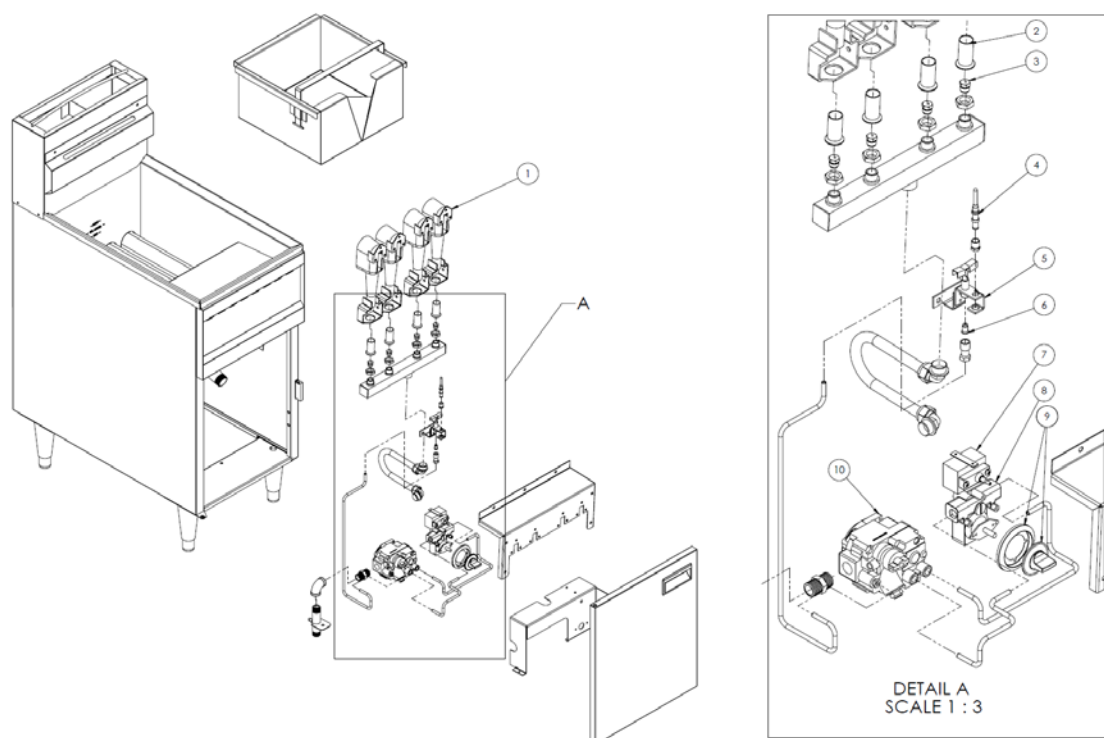
# Mod: FGHR-23/N

Production code: GFE 40 RS



**Diamond**  
catering equipment

## Component List



| NO. | PART CODE | DESCRIPTION                       | QTY |
|-----|-----------|-----------------------------------|-----|
| 1.  | PD.2263   | Shell Fryer Burner OVL CP C       | 4   |
| 2.  | GS.3661   | Primary Air Adjuster D-20         | 4   |
| 3.  | PD.2265   | Nozzle Std. D. 120 (for LPG)      | 4   |
|     | PD.2267   | Nozzle Std. D. 175 (for LNG)      | 4   |
| 4.  | GS.2185   | Thermocouple 2C 24"               | 1   |
| 5.  | GS.2186   | Pilot Burner 6CH146               | 1   |
| 6.  | GS.2187A  | Injector for Pilot IIOP (for LPG) | 1   |
|     | GS.2187B  | Injector for Pilot 2M1X (for LNG) | 1   |
| 7.  | GS.2183   | Limit Control 450°F               | 1   |
| 8.  | GS.2182   | Gas Thermostat 200-400°F          | 1   |
| 9.  | GS.2189A  | Chrome Bezel                      | 1   |
|     | GS.2189B  | Red Plastic Insert                | 1   |
|     | GS.2189C  | Black Dial                        | 1   |
|     | GS.2189D  | Temperature Overlay               | 1   |
| 10. | GS.2181   | Gas Control                       | 1   |