

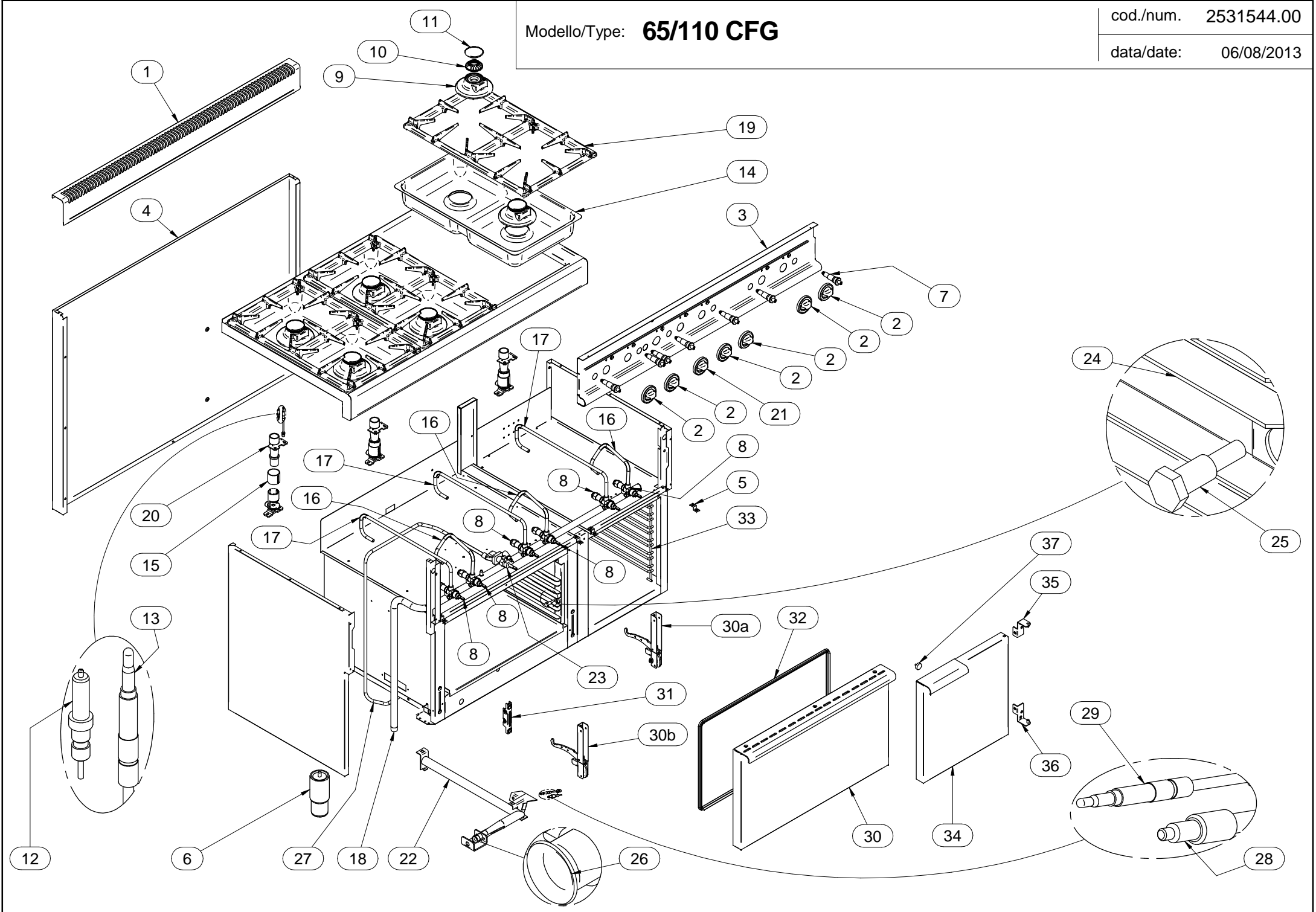
08/2013

Mod: G65/6BFA11

Production code: 65/110 CFG



Diamond
catering equipment



Modello Type:	65/110 CFG				cod. / num. 2531546.00	
					data / date: 07/08/2013	
POS. ITEM	CODICE CODE	DESCRIZIONE	DESCRIPTION	DENOMINATION	BENENNUNG	NOTE / NOTES
1	611.029.00	ALZATINA	UPSTAND	DOSSERET	AUFKANTUNG	
2	612.069.00	MANOPOLA	KNOB	BOUTON	DREHKNOFF	
3	256.197.00	CRUSCOTTO	CONTROL PANEL	BANDEAU	BEDIENBLLENDE	
4	621.133.15	PANNELLO POSTERIORE	BACK PANEL	PANNEAU POSTERIEUR	HINTERBRETT	
5	256.002.00	STAFFA FISSAGGIO CRUSCOTTO	CONTROL PANEL FIXING BRACKET	EQUERRE FIXATION BANDEAU	BEFESTIGUNGSWINKEL BEDIENBLLENDE	
6	912.033.00	PIEDINO	FOOT	PIED	STELLFUSS	
7	672.006.00	ACCENDITORE PIEZO	PIEZO LIGHTER	ALLUMEUR PIEZO	PIEZUZÜNDER	
8	671.000.00	RUBINETTO GAS	GAS TAP	ROBINET GAZ	GASHAHN	
9	672.050.00	BRUCIATORE	BURNER	BRULEUR	BRENNER	
10	672.098.00	SPARTIFIAMMA	FLAMESREADER	CHAPEAU BRULEUR	FLAMMENTEILER	
11	672.044.00	COPERCHIO	LID	COUVERCLE	DECKEL	
12	672.005.00	CANDELA ACCENSIONE	IGNITION ELECTRODE	BOUGIE D'ALLUMAGE	KERZE SCHNELLBRENNER	
13	256.109.00	TERMOCOPPIA	THERMOCOUPLE	THERMOCOUPLE	THERMOELEMENT	
14	622.057.00	BACINELLA	CONTAINER	BAC	BEHÄLTER	
15	672.016.00	BOCCOLA REGOLAZIONE ARIA	AIR REGULATION BUSHING	BAGUE DE RÉGULATION AIR	LUFTREGLERBÜCHSE	
16	256.110.00	TUBO GAS	GAS PIPE	TUBE GAZ	GASROHR	
17	256.111.00	TUBO GAS	GAS PIPE	TUBE GAZ	GASROHR	
18	675.028.00	TUBO GAS	GAS PIPE	TUBE GAZ	GASROHR	
19	681.008.00	GRIGLIA	GRILL	GRILLE	GITTER	
20	672.010.00	VENTURI PER BRUCIATORE	VENTURI TUBE FOR BURNER	TUBE DE VENTURI POUR BRÛLEUR	VENTURI-DÜSE FÜR BRENNER	

Modello Type:		65/110 CFG			cod. / num. 2531546.00	
					data / date: 07/08/2013	
POS. ITEM	CODICE CODE	DESCRIZIONE	DESCRIPTION	DENOMINATION	BENENNUNG	NOTE / NOTES
21	612.077.00	MANOPOLA	KNOB	BOUTON	DREHKNOPF	
22	672.030.00	BRUCIATORE	BURNER	BRULEUR	BRENNER	
23	671.002.00	TERMOSTATO	THERMOSTAT	THERMOSTAT	THERMOSTAT	
24	611.088.00	REGGIGRIGLIA	TRAY RACK	PORTE-PLAQUES	EINHÄNGEGESTELL	
25	641.013.00	FISSAGGIO REGGIGRIGLIA	TRAY RACK FIXING	FIXAGE PORTE-PLAQUES	BEFESTIGUNG DES EINHÄNGEGESTELLS	
26	672.021.00	BOCCOLA REGOLAZIONE ARIA	AIR REGULATION BUSHING	BAGUE DE RÉGULATION AIR	LUFTREGLERBÜCHSE	
27	256.149.00	TUBO GAS	GAS PIPE	TUBE GAZ	GASROHR	
28	672.019.00	CANDELA ACCENSIONE	IGNITION ELECTRODE	BOUGIE D'ALLUMAGE	KERZE SCHNELLBRENNER	
29	256.151.00	TERMOCOPPIA	THERMOCOUPLE	THERMOCOUPLE	THERMOELEMENT	
30	256.150.00	PORTA	DOOR	PORTE	TÜR	
30a	684.009.00	CERNIERA	JOINT	CHARNIERE	SCHARNIER	
30b	684.010.00	CERNIERA	JOINT	CHARNIERE	SCHARNIER	
31	684.011.00	PORTARULLINO	ROLL HOLDER	PORTE-AIGUILLE DE ROULEMENT	ROLLE-TRÄGER	
32	652.013.00	GUARNIZIONE	WASHER	GUARNITURE	DICHTUNGSRING	
33	683.004.00	REGGIGRIGLIA	TRAY RACK	PORTE-PLAQUES	EINHÄNGEGESTELL	
34	611.125.23	PORTA	DOOR	PORTE	TÜR	
35	911.846.15	CERNIERA	JOINT	CHARNIERE	SCHARNIER	
36	911.847.15	CERNIERA	JOINT	CHARNIERE	SCHARNIER	
37	684.007.00	MAGNETE	MAGNET	MAGNÉTO	MAGNET	
38						