

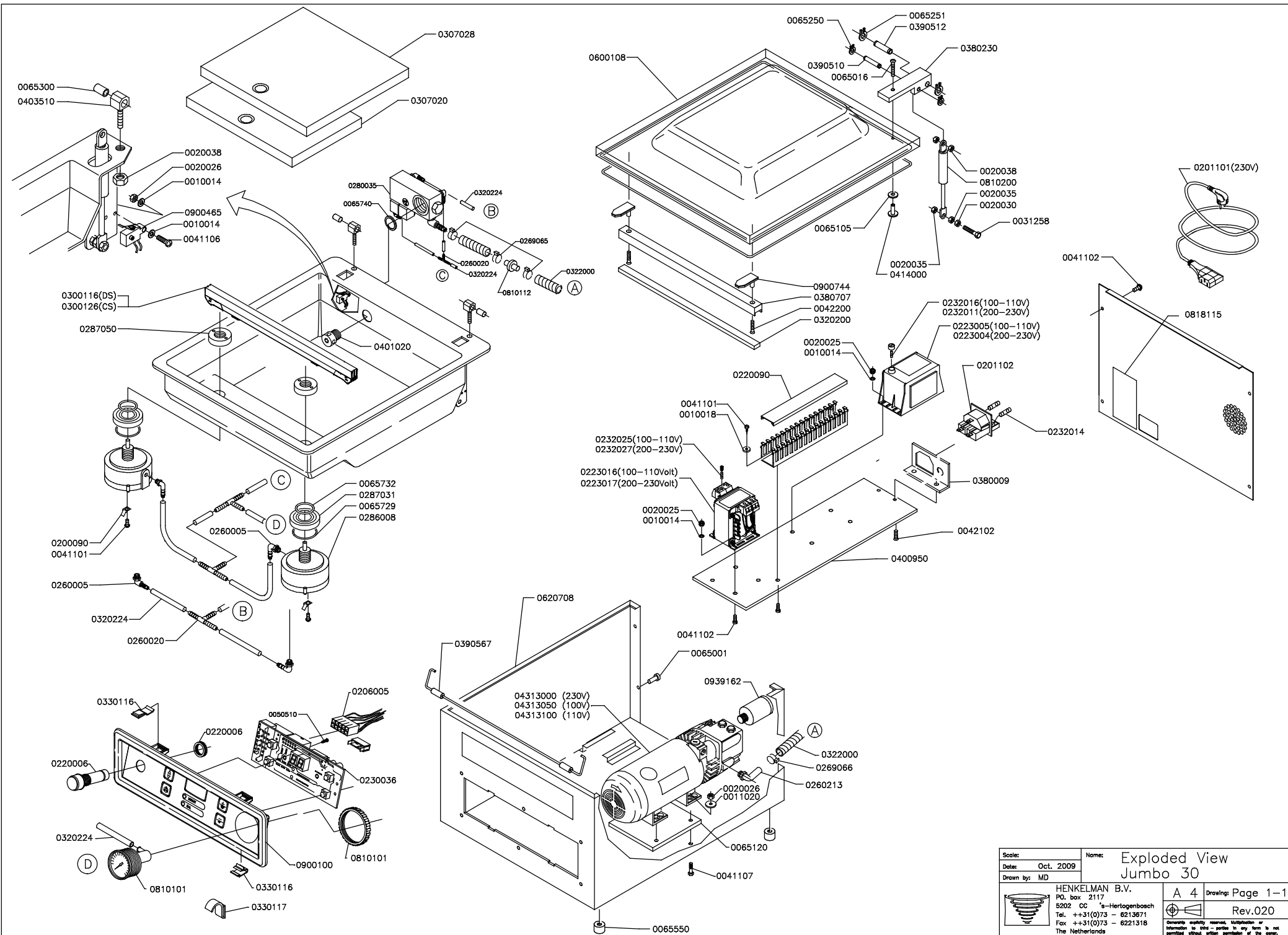
10/2009

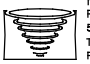
Mod: GA-102/N

Production code: Jumbo 30



Diamond
catering equipment



Scale:	Name:	Exploded View	
Date:	Oct. 2009	Jumbo 30	
Drawn by:	MD		
HENKELMAN B.V.		A 4 Drawing: Page 1-1	
P.O. box 2117		Rev.020	
5202 CC 's-Hertogenbosch			
Tel. ++31(0)73 - 6213671		<small>Consents quality manual. Distribution of information to other parties in any form is not permitted without written permission of the owner.</small>	
Fax. ++31(0)73 - 6221318			
The Netherlands			