

08/2010

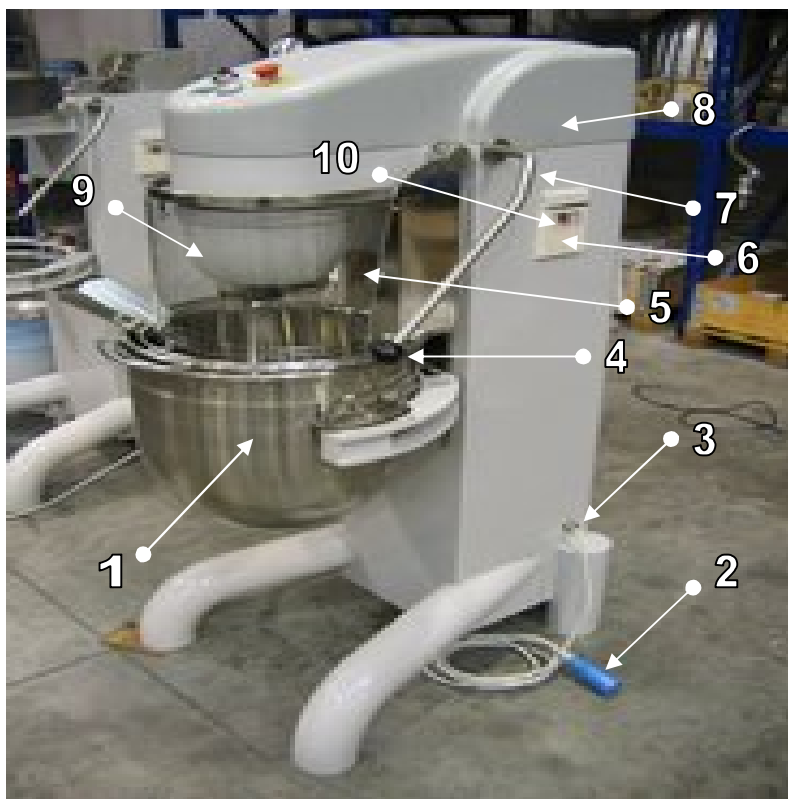
Mod: HBM-60/V

Production code: C.LINE 60 V.V

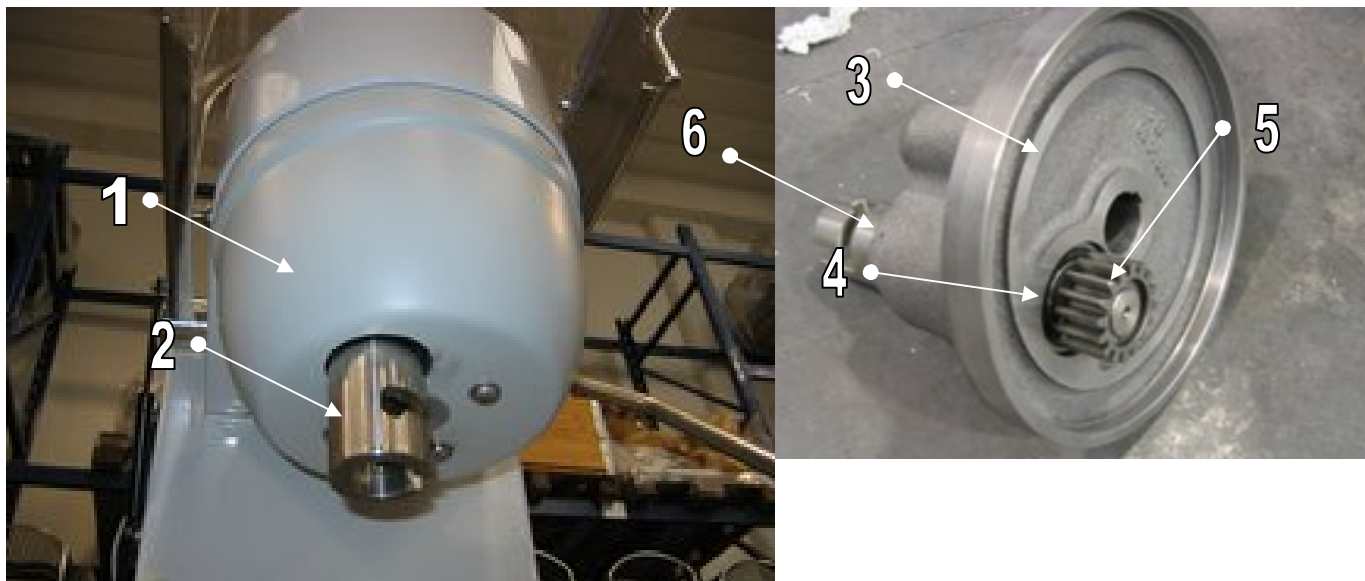


Diamond
catering equipment

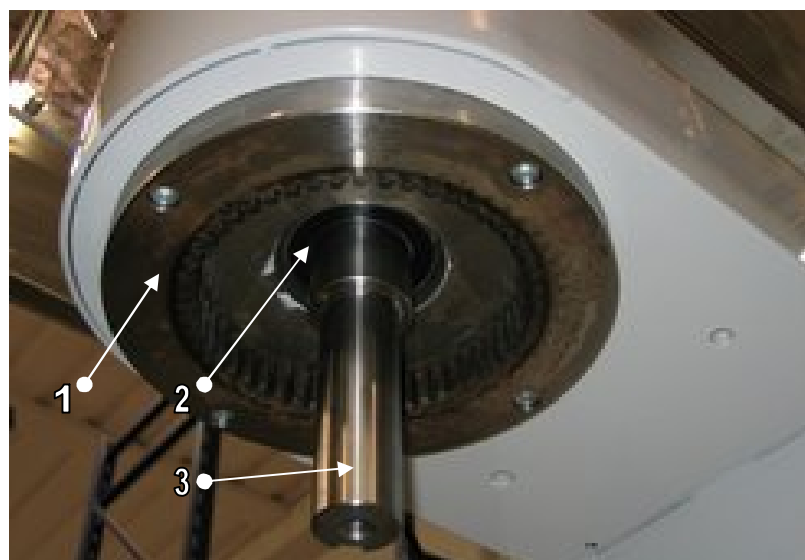
**SECTION D POINT 3
SPARE PARTS LIST**



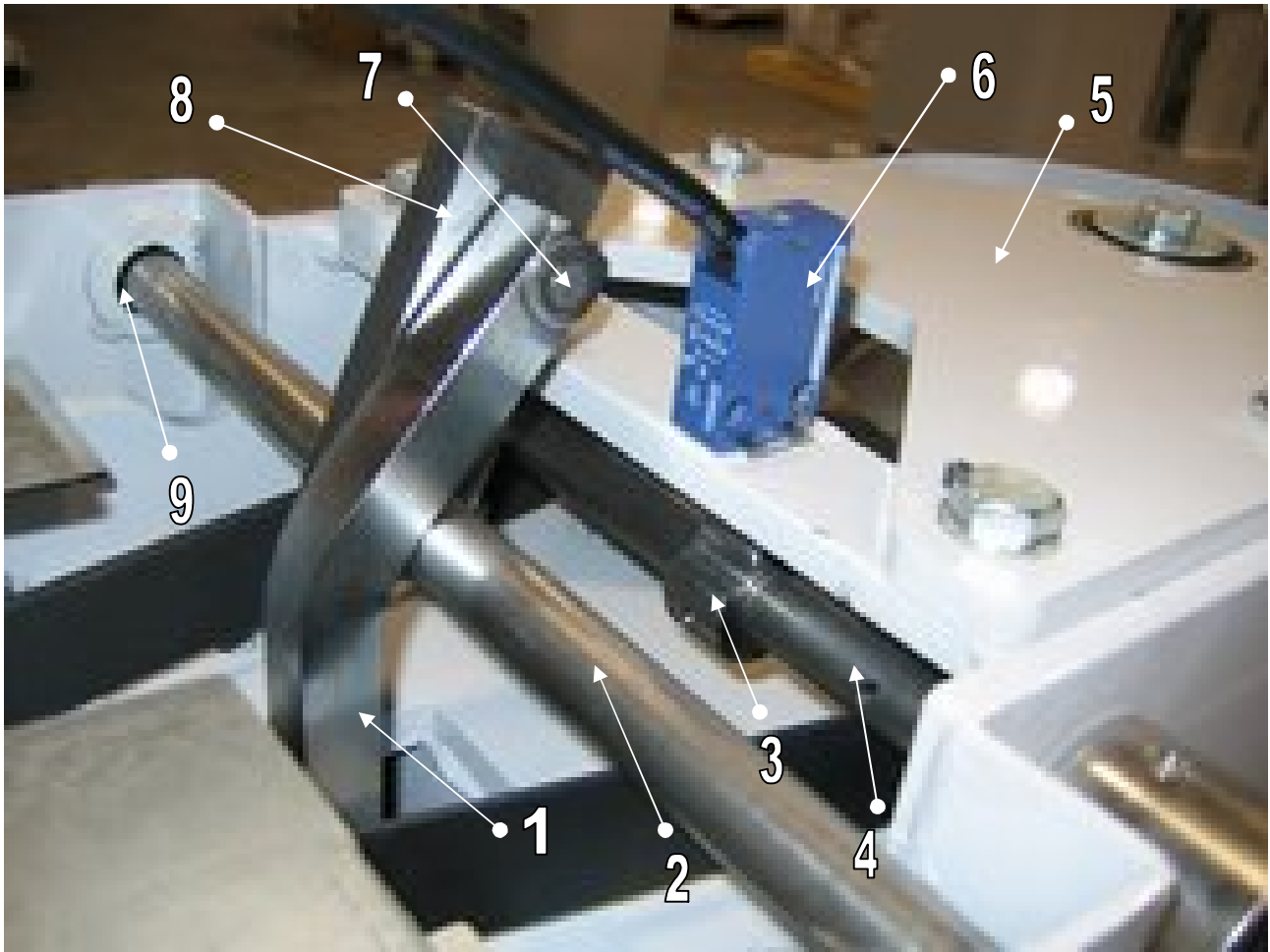
Ref.	CODE	DESCRIPTION	Ref.	CODE	DESCRIPTION
1	VA TK 40 400	bowl 40 Lt	9	01 03 241	Plastic safety grid 40 Lt
	VE TK 60 600	bowl 60 Lt		01 03 242	Plastic safety grid 60 Lt
2	08 05 228	Red socket 3P + hearth	10	08 05 174	switch
	08 05 235	bleu socket 2P + hearth			
3	08 05 223	Cable plug			
4	01 03 164	Boule end handle			
5	LU TKE 40009	Safety grid 40 Lt			
	LU TKE 60009	Safety grid 60 Lt			
6	08 05 182	Switch box			
7		structure			
8	01 03 240	Thermoformed ABS cover			



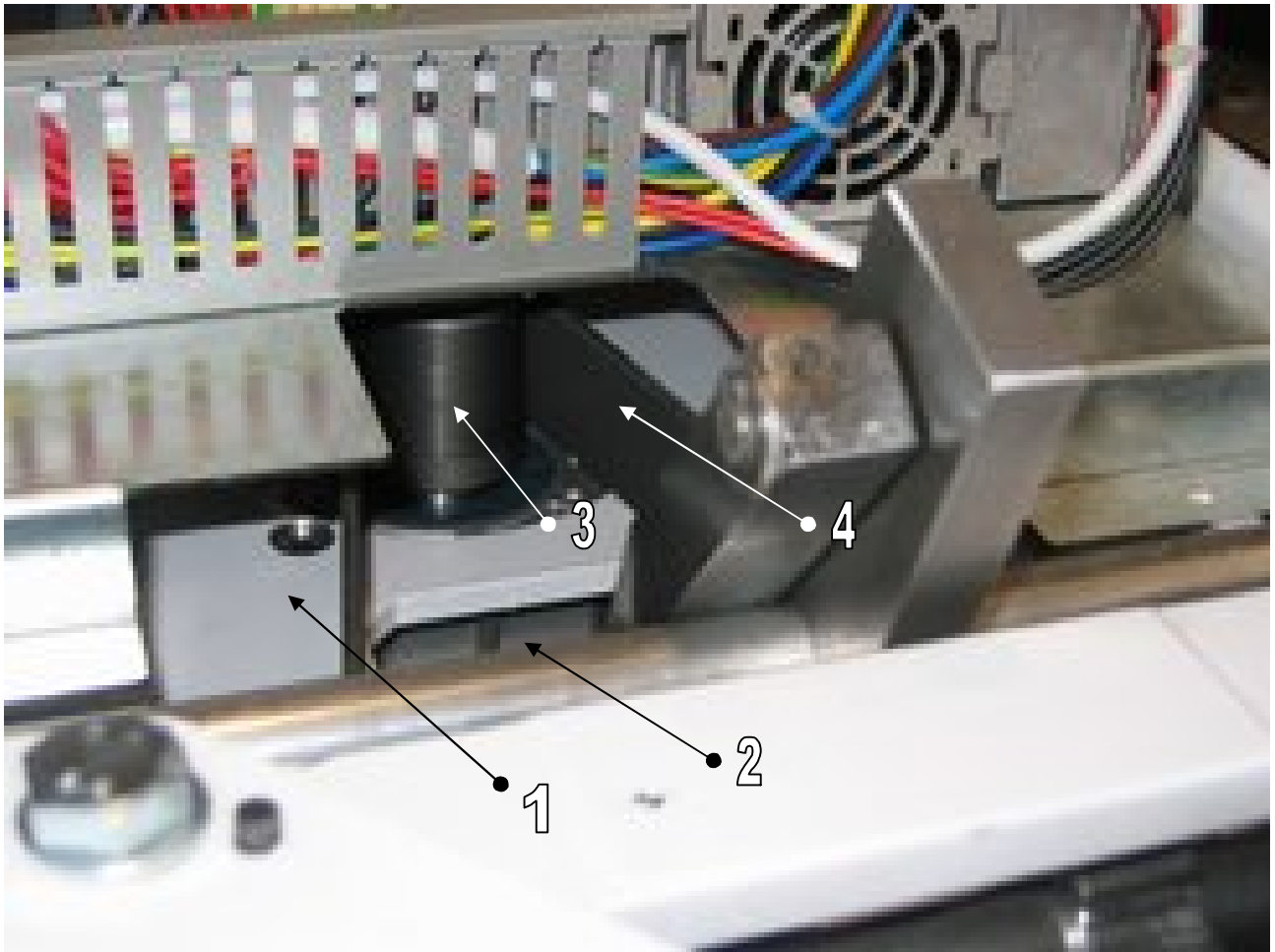
Ref.	CODE	DESCRIPTION	Ref.	CODE	DESCRIPTION
1	01 03 226	Wheel cover 40 Lt	4	04 01 018	bearing 40 Lt
	01 03 227	Wheel cover 60 Lt		04 01 022	bearing 60 Lt
2	01 01 805	Tool shaft 40 Lt	5	FR 01 01 325	Tool gear 40 Lt
	01 01 776	Tool shaft 60 Lt		FR 01 01 343	Tool gear 60Lt
3	FR 03 01 097	wheel 40 Lt	6	04 01 017	bearing 40 60 Lt
	FR 03 01 099	wheel 60 Lt			



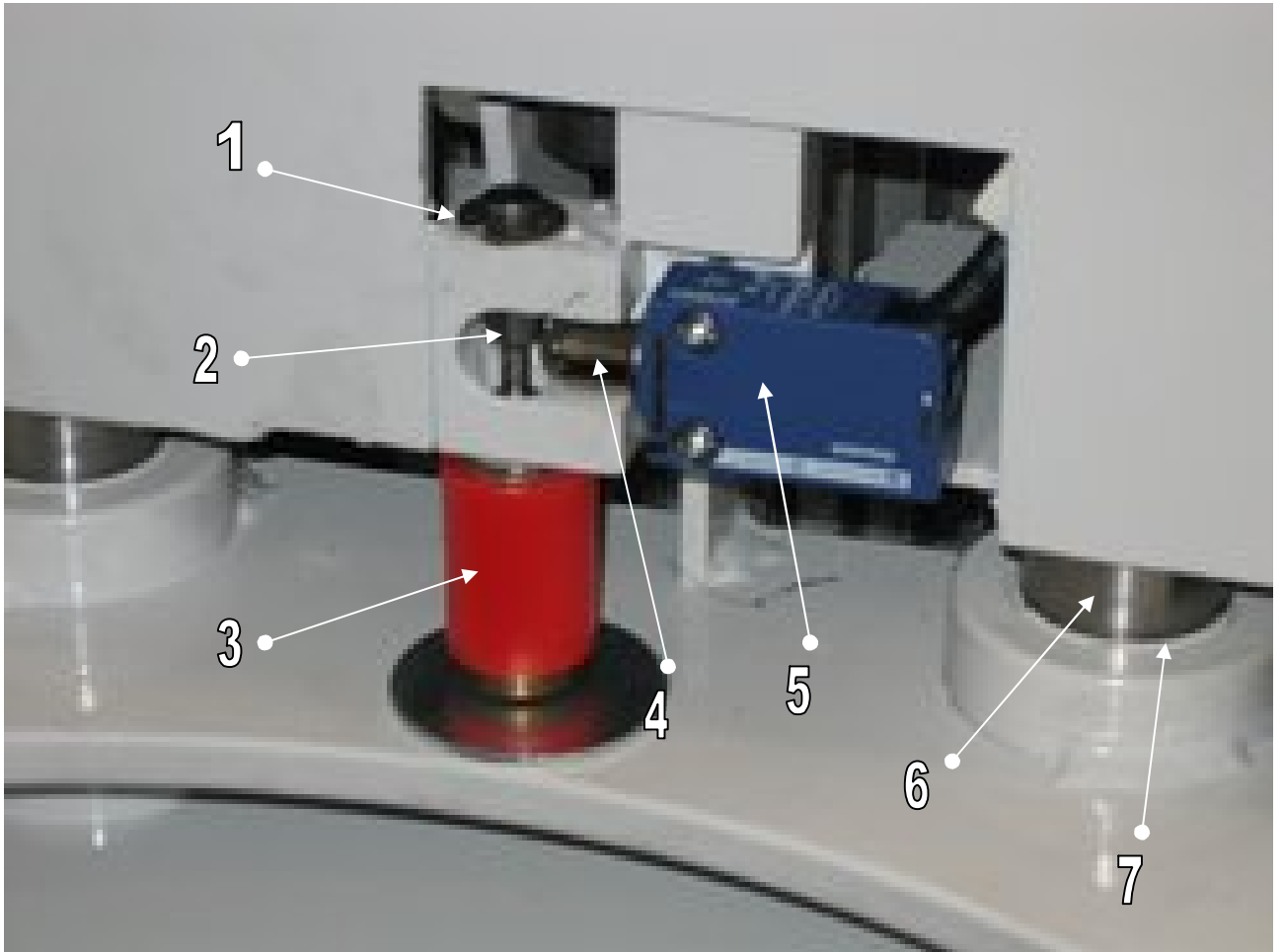
Ref.	CODE	DESCRIPTION	Ref.	CODE	DESCRIPTION
1	TT 01 01 329	Inside toothed wheel 40 Lt	3	01 01 1089	Central shaft 40Lt
	TT 01 01 342	Inside toothed wheel 60 Lt		01 01 1090	Central shaft 60Lt
2	04 01 020	bearing			



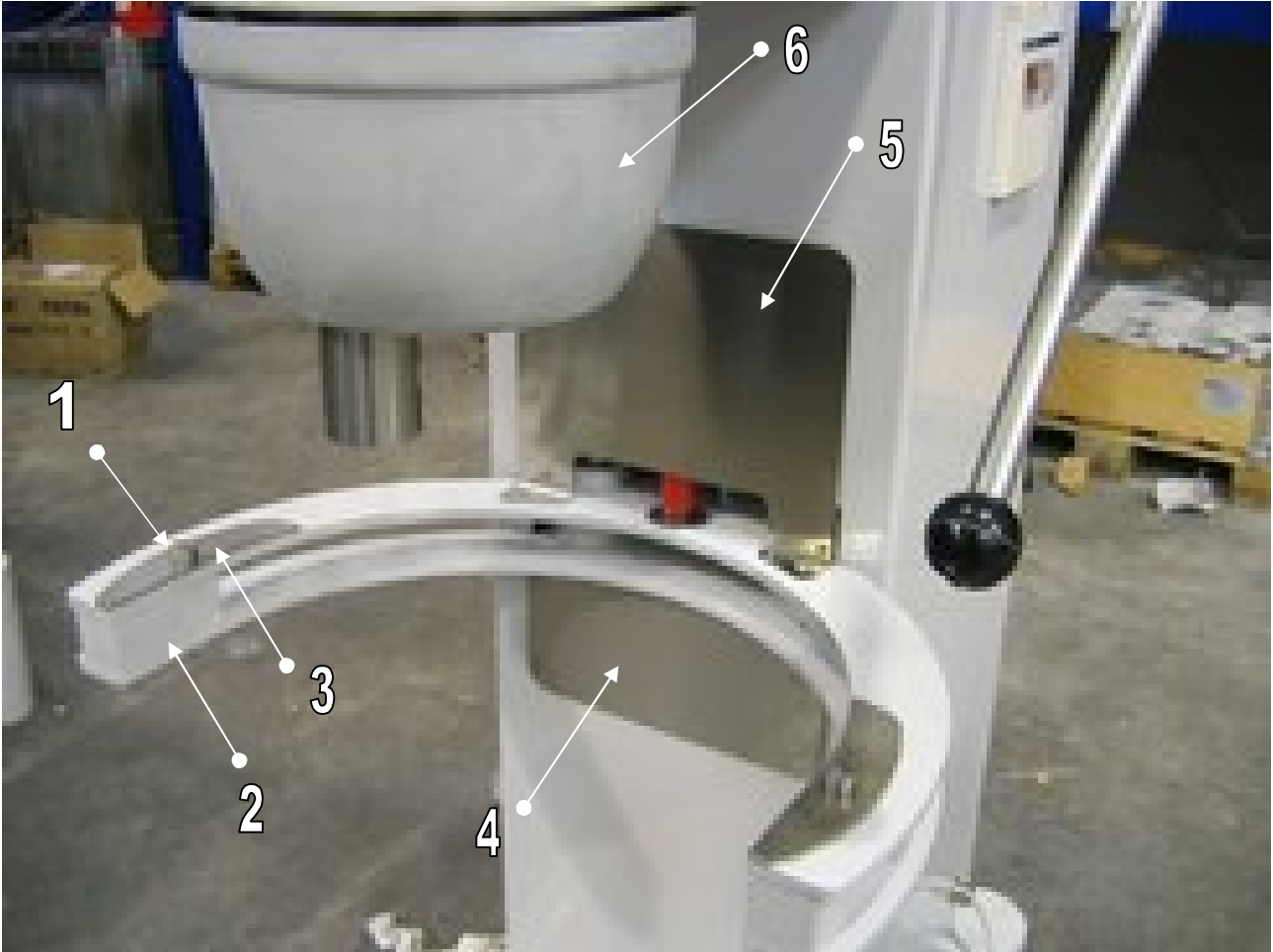
Ref.	CODE	DESCRIPTION	Ref.	CODE	DESCRIPTION
1	17 04 005	Hoisting rod 60 Lt			
2		Hoisting lever			
3	01 01 448	Cam microswitch			
4		Bowl rotation pin			
5	VEFRTKE400 04	Shaft support			
6	08 05 344	Microswitch body			
		Threated microswitch head			
7	01 01 450	Hositing lever plug			
8	13 31 001	Hoisting tie-rod			
9	04 20 005	Self-lubricating washer			



Ref.	CODE	DESCRIPTION	Ref.	CODE	DESCRIPTION
1	VE 19 34 007	Motor support			
2	08 01 070	motor			
3		Motor pulley			
4	05 25 015	Transmission belt			



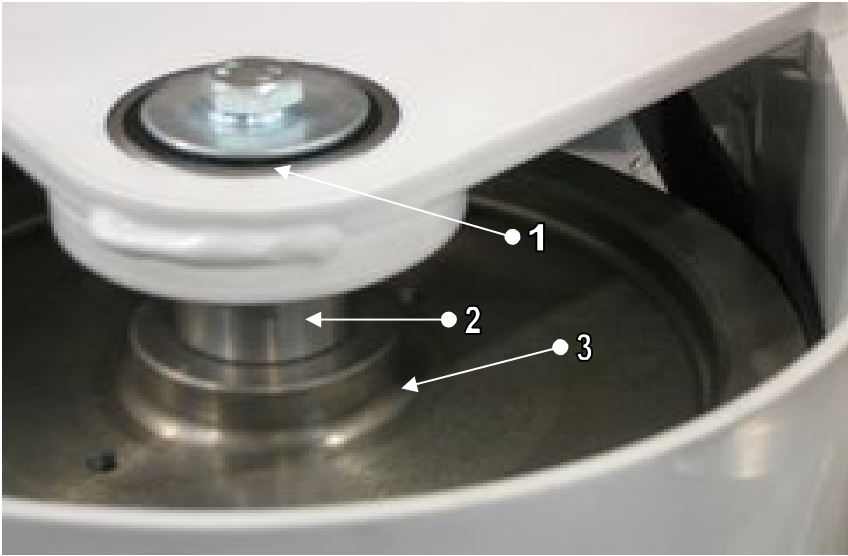
Ref.	CODE	DESCRIPTION	Ref.	CODE	DESCRIPTION
1	04 20 016	Self-lubricating washer	7		Self-lubricating washer
2		Bowl stopper pin	8		
3		Bowl stopper	9		
4	08 05 345	Microswitch pin	10		
5	08 05 344	Microswitch body	11		
6		Arm displacement shaft	12		



Ref.	CODE	DESCRIPTION	Ref.	CODE	DESCRIPTION
1	01 01 449	Bowl centering pin	6	01 03 227	Wheel protection 60 Lt
2	VE TKE 60003	Hoisting arm 60 Lt		01 03 226	Wheel protection 40 Lt
	VE TKE 40003	Hoisting arm 40 Lt			
3	19 13 093	Bowl supportino plate 60 Lt			
	19 13 085	Bowl supportino plate 40 Lt			
4	19 17 216	Lower safety panel 40 60 Lt			
5	19 17 215	Panel behind bowl 60 Lt			
	19 17 214	Panel behind bowl 40 Lt			



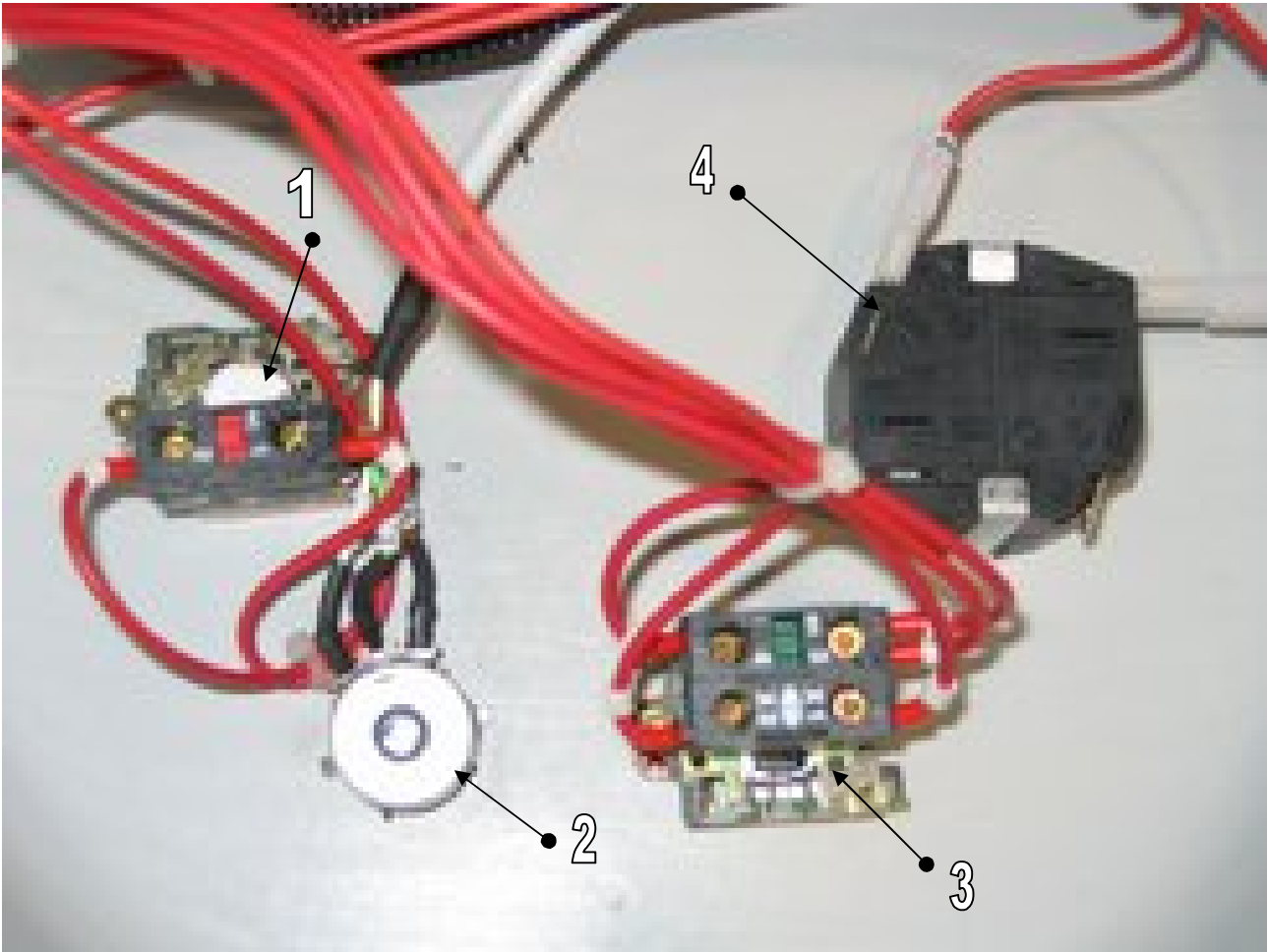
Ref.	CODE	DESCRIPTION	Ref.	CODE	DESCRIPTION
1	01 01 451	Safety grid stopper	5		Grid stopper
2	01 03 084	Plastic screw cover			
3		Hoisting shaft washer			
4	18 06 004	Gas spring			



Ref.	CODE	DESCRIPTION	Ref.	CODE	DESCRIPTION
1	04 02 004	bearing			
2		Pulley spacer			
3	05 01 031	pulley			
4					



Ref.	CODE	DESCRIPTION	Ref.	CODE	DESCRIPTION
1	01 03 222	Comands label VV 40 Lt	6	08 11 002	timer
	01 03 235	Comands label 3V 40 Lt	7	08 05 199	Light holder
	01 03 223	Comands label VV 60 Lt			
	01 03 236	Comands label 3V 60 Lt			
2	08 05 032	Light			
3	01 01 749	Button potentiometer			
4	01 03 086	Black cap			
5	08 05 195	Red mushroom			



Ref.	CODE	DESCRIPTION	Ref.	CODE	DESCRIPTION
1	08 05 203	contacts	3	08 05 198	contacts
2	08 05 297	potentiometer	4	08 11 001	Timer

Ref.	CODE	DESCRIPTION	Ref.	CODE	DESCRIPTION
1		transformer		08 05 248 1	Inverter 380 V
2		Cutoff switch			
3		contact			
4	08 05 253 1	Inverter 220 V			

