

11/2016

Mod: ICE155MA



Diamond
catering equipment



LIST OF THE EXPLODED VIEWS



SHELL ASSY

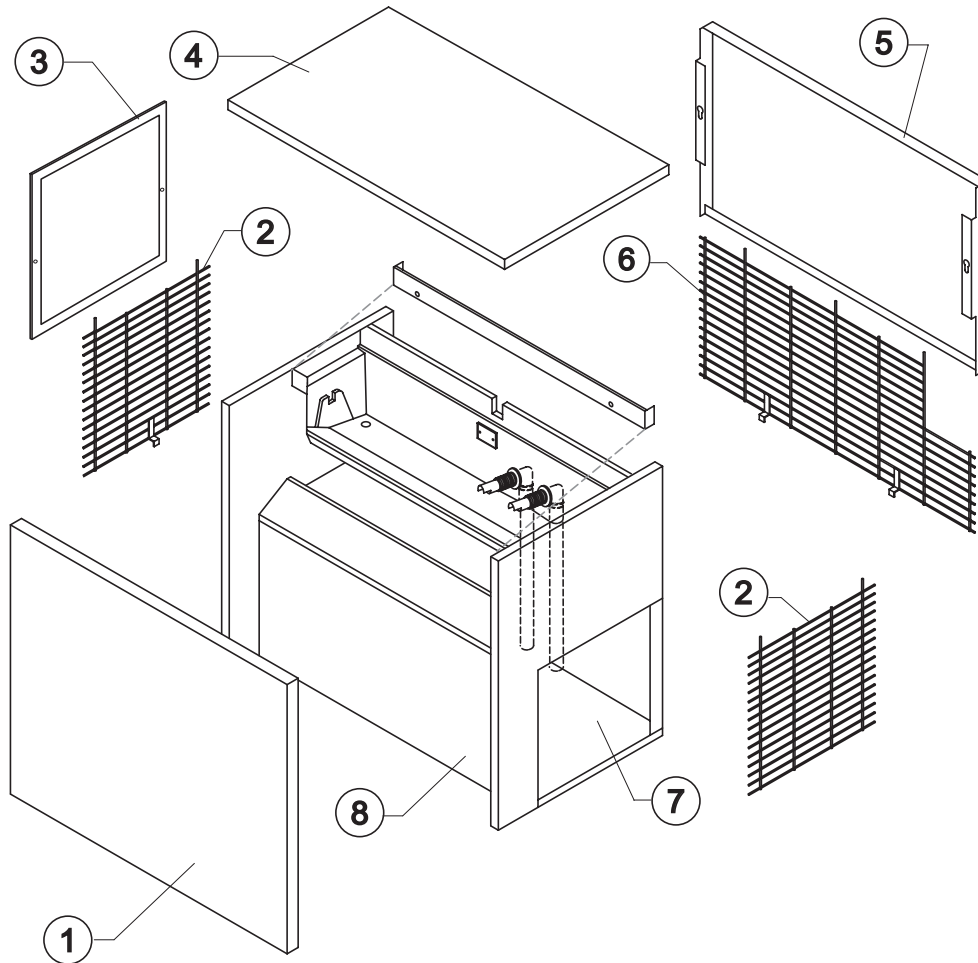
COOLING SYSTEM

HYDRAULIC CIRCUIT

ELECTRIC PARTS



SHELL ASSY



Ref.	Spare Description	Code
1	Front Panel Assembly	C22125
2	Side Grid	D12036
3*	Filter	Air Cooled Version 18163
4	Top Assembly	C22124
5	Rear Panel	22127
6	Rear Grid	D12068
7	Base Plate	21078
8	Foamed Cabinet Assy	See Table -

Ref. 1 - Foamed Cabinet Assy

Condensation	Code
Air	C11020A
Water	C11020W

Rev. 11 - 06/12/2013



COOLING SYSTEM

Common Parts

Ref.	Spare Description	Code
1*	Solid Core Drier	14084
7	Evaporator	See Table
8	Evaporator Cover Panel	Current Version 10454
8	Evaporator Cover Panel	Till s/n. 226491 10058
9	Fan Fixing Hub	10014
10	Sucking Fan	10213
11	Compressor	See Table
12	Vacuum-Charge Valve Body	14007
13*	Vacuum-Charge Valve Device	14005
14*	Vacuum-Charge Valve Plug	14006
15*	Hot Gas Valve Coil	See Table
16*	Hot Gas Valve Body	20409

Parts for Air-Cooled Version Only

Ref.	Spare Description	Code
3	Air Condenser	Current Version 20924
3	Air Condenser	Till s/n. 439805 20426
4	Conveyor	Only T13 10238
5	Sucking Fan	T11, T12 20407
5	Sucking Fan	T13 20671

Parts for Water-Cooled Version Only

Ref.	Spare Description	Code
2	Water Condenser	14081
5	Sucking Fan	Till s/n. 219565 10213
6	Pressostatic Valve	20210

Ref. 7 - Evaporator

Kind of Cube	Code
18 g. (Standard)	D10214
33 g.	D10092
13 g.	D10126
42 g.	D10477
60 g.	D10555

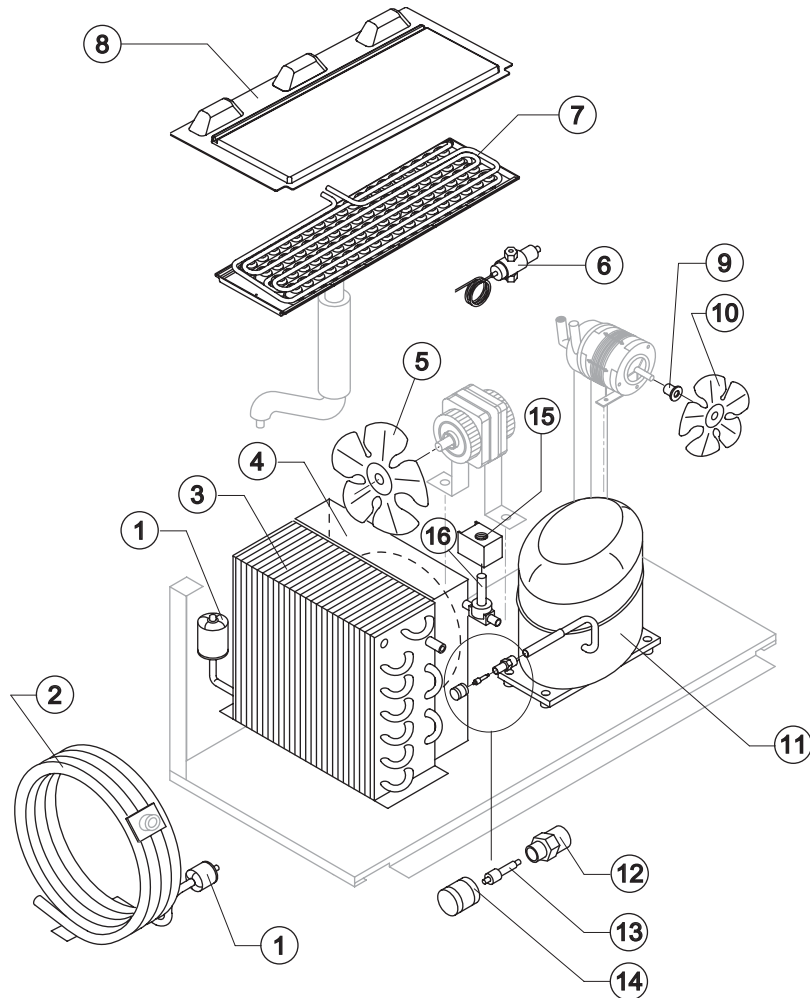
Ref. 11 - Compressor

Voltage	Code
T11	23878
T12	23874
T13	23586
T19	23586 till s/n. 605530

Ref. 15* - Hot Gas Valve Coil

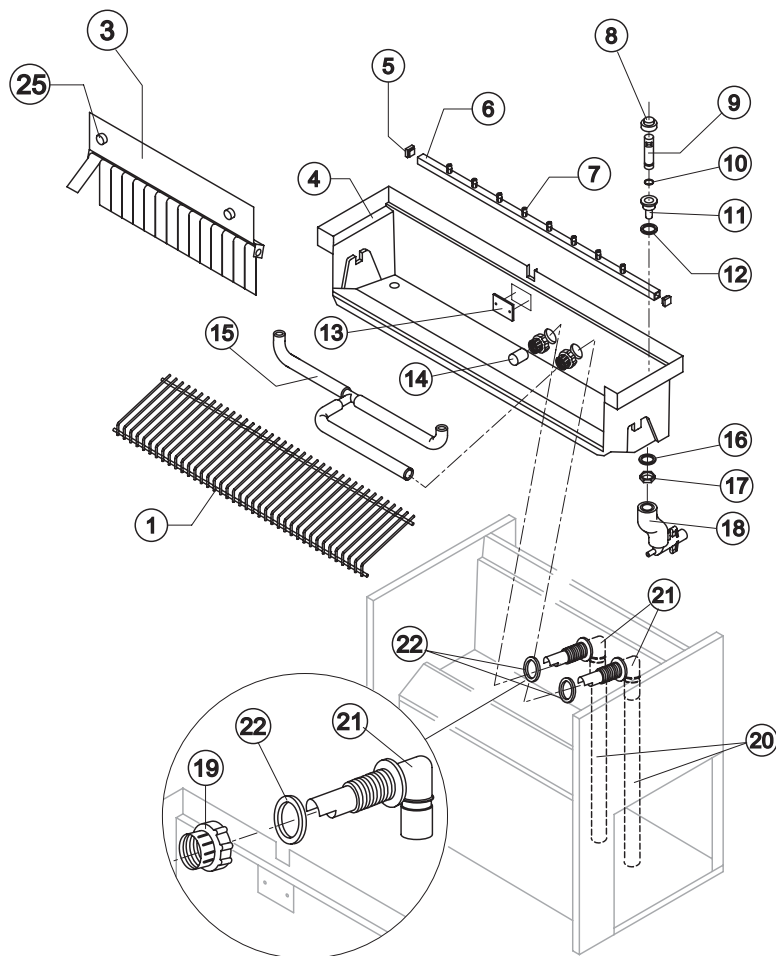
Voltage	Code
T11	23091
T12	23091
T13	23256
T19	23256 till s/n. 605530

Rev. 11 - 06/12/2013





HYDRAULIC CIRCUIT



Common Parts

Ref.	Spare Description	Code
1	Ice Cubes Slide	See Table
3	Flags Support Assy	C22134
4	Inner Basin	10055
5	Sprayers Bar Plug	10012
6*	Sprayers Bar Assembly	See Table
7	Sprayer	D20002
8	Overflow Cap	Till s/n. 243901
9*	Overflow Pipe	10133
10*	OR Gasket for Overflow Pipe	20233
11	Water Outlet Nipple	10472
12	Silicone Gasket	13006
13	Slide Keep Plate	Till s/n. 234237
14*	Pump Suction Filter	20005
15	Sprayers Feeding Pipe Connection	C13037
16	Semirigid Polyethylene Gasket	13007
17	Bin Discharge Nut	10096
19	Fitting Locking Ring	10405
20	Pump Suction/Delivery Pipe	13137
21	Fitting of the Pump Suction/Delivery Pipes	10404
22	Gasket for Pump Suction/Delivery Pipes	13143
25	Fixing Screw	20009

Ref. 1 - Ice Cube Slide

Kind of Cube	Code
18 g. (Standard)	D12022
33 g.	D12033
13 g.	D12040
42 g.	D12033
60 g.	D12084

Ref. 6* - Sprayers Bar Ass.

Kind of Cube	Code
18 g. (Standard)	C20144
33 g.	C20157
13 g.	C20200
42 g.	C20157
60 g.	C20941

Parts for Air Cooled Version Only

Ref.	Spare Description	Code
18	Discharges Manifold	C10006

Parts for Water Cooled Version Only

Ref.	Spare Description	Code
18	Discharges Manifold	C26452



ELECTRIC PARTS

Common Parts

Ref.	Spare Description	Code
2*	Fan Motor	See Table
3*	1 Way- Water Inlet Valve	See Table
8*	Pump Assy	See Table
10*	Contactor	See Table
13*	Bin Thermostat	R23421
14*	Evaporator Thermostat	R23591
15*	Timer	See Table
16*	On/Off Rocker Switch	23327

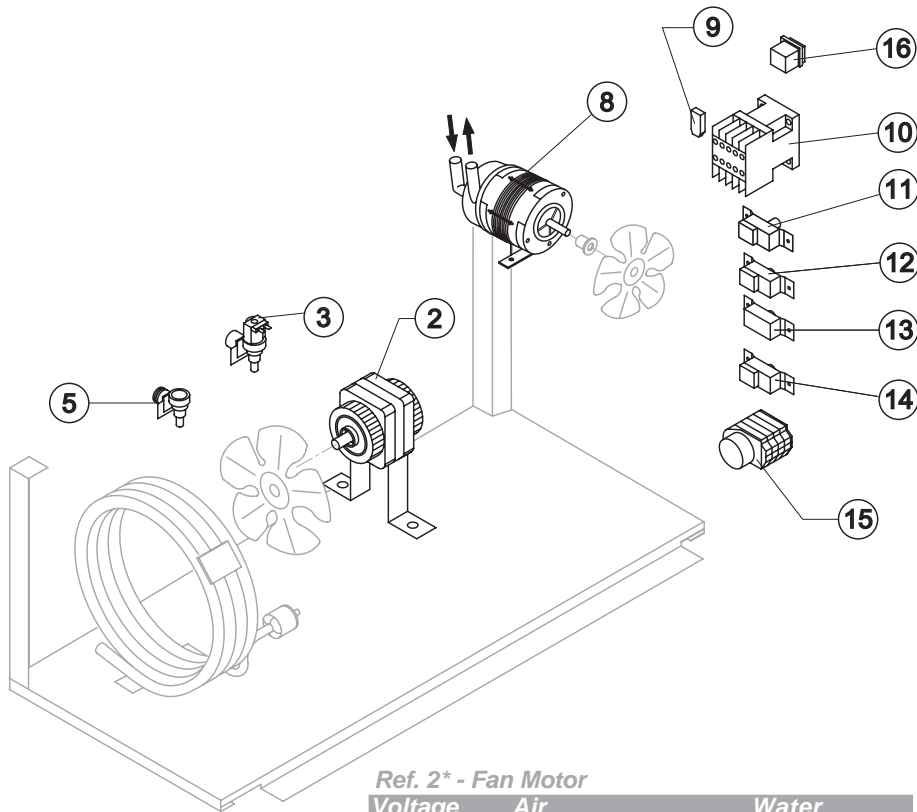
Parts for Air-Cooled Version Only

Ref.	Spare Description	Code
9	Anti Radio Interference Filter	Only 220V 50 Hz C23459
11	Safety Pressure Switch	From s/n. 529518 23342
12*	Condenser Pressure Switch	See Table

Parts for Water-Cooled Version Only

Ref.	Spare Description	Code
5	1 Way- Water Inlet Valve	10368
11	Safety Pressure Switch	23342

Rev. 11 - 06/12/2013



Ref. 2* - Fan Motor

Voltage	Air	Water Till s/n. 219565
T11	23121	23029
T12	23121	23029
T13	23621	23683
T19	23621 till s/n. 605530	-

Ref. 3* - 1 Way- Water Inlet Valve

Voltage	18g/13g Cube	33g Cube	42g Cube
T11	23220	23220	23787
T12	23220	23787	23787
T13	23281	23789	23789
T19	23281	23789	23789 till s/n. 605530

Ref. 8* - Pump Assy

Voltage	Code
T11	C23462
T12	C23462
T13	C23663
T19	C23663 till s/n. 605530

Ref. 10* - Contactor

Voltage	Code
T11	23594
T12	23594
T13	231088
T19	231088 till s/n. 605530

Ref. 12* - Cond. Pressure Switch

Voltage	Code
T11	23175
T12	23175
T13	23175
T19	23680 till s/n. 605530

Ref. 15* - Timer

Voltage	18g Cube	33g Cube	13g Cube	42g Cube	60g Cube
T11	23247	23248	23472	23780	23922
T12	231082	231080	231077	231080	TDB
T13	23833	23786	23258	23786	TDB
T19	23833	23786	23258	23786	TDB till s/n. 605530