

11/2016

# Mod: ICE42 DISPA



**Diamond**  
catering equipment



# LIST OF THE EXPLODED VIEWS



*SHELL ASSY*

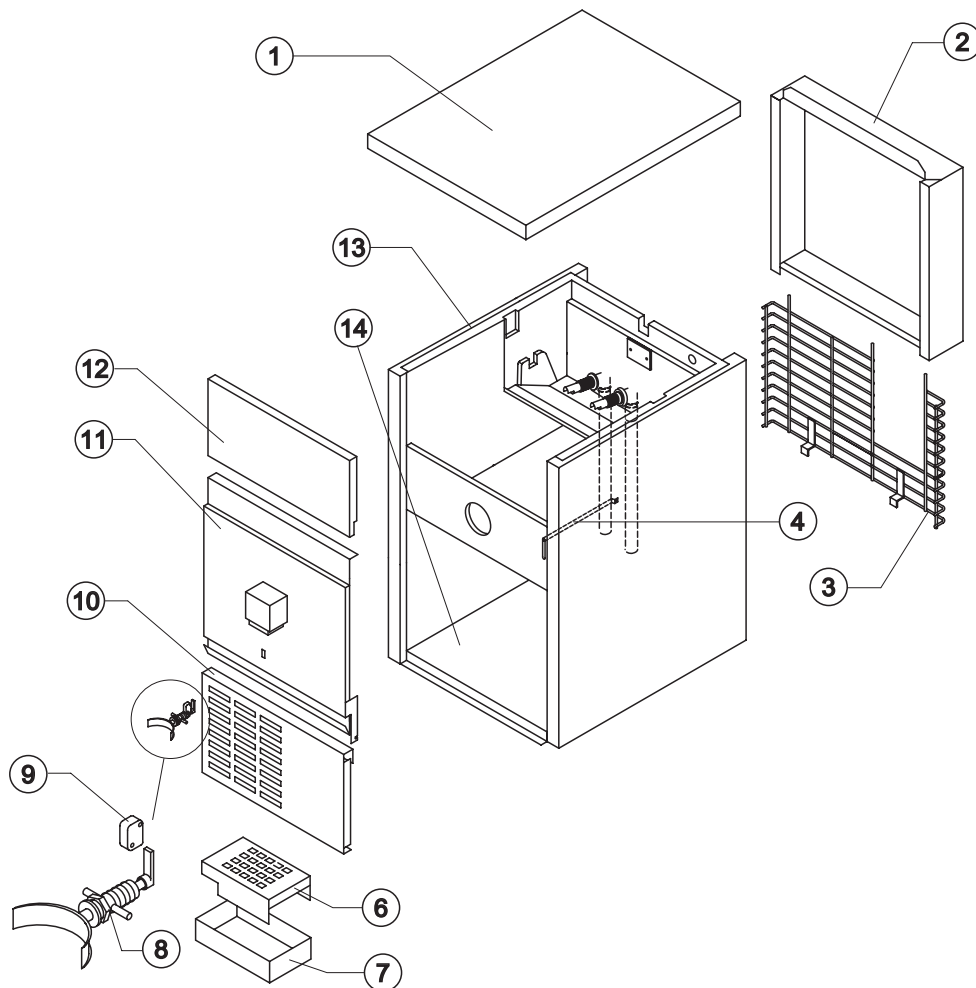
*COOLING SYSTEM*

*HYDRAULIC CIRCUIT*

*ELECTRIC PARTS*



# SHELL ASSY



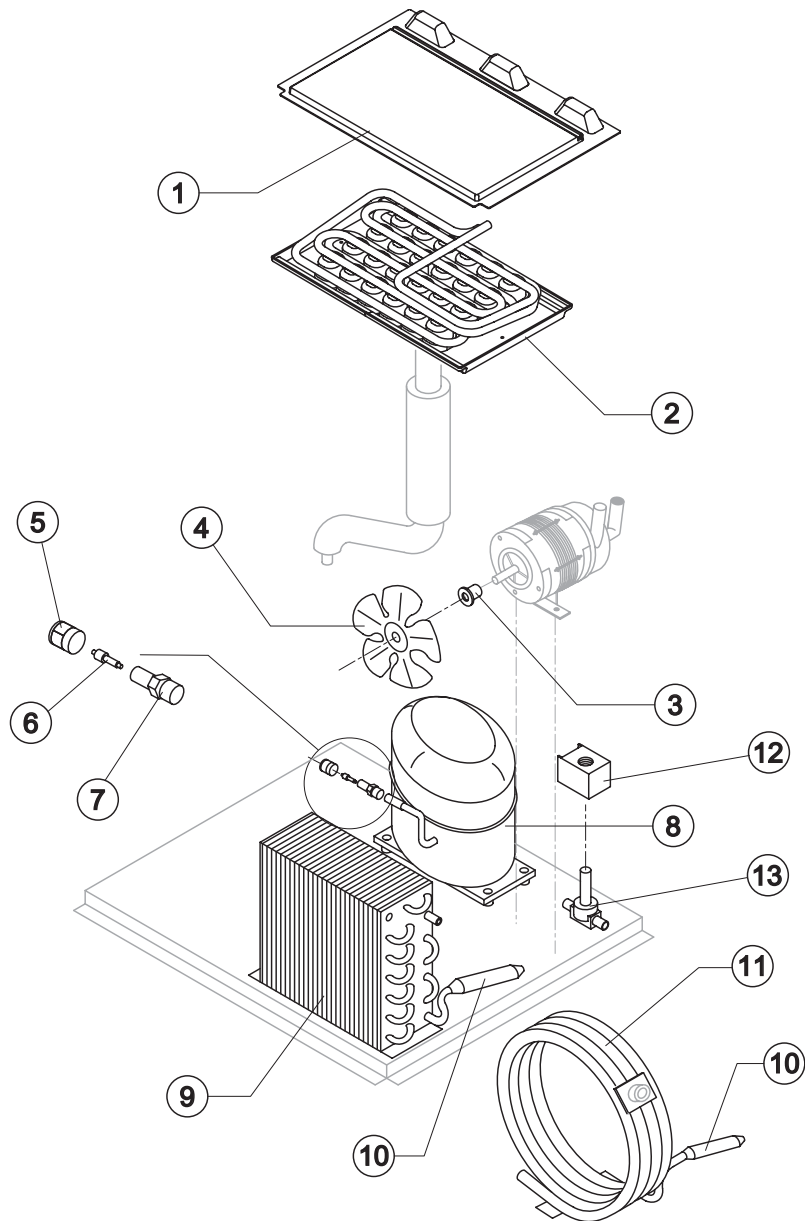
Ref.	Spare Description	Code
1	Top Assembly	C22342
2	Rear Panel Assembly	C21198
3	Rear Grid	D12047
4	Bulbe-holder Pipe	20522
6	Glass Support	22350
7	Drip Tray	22349
8*	Ice Dispenser Push Button Assembly	C26544
9*	Microswitch	23055
10	Front Grid Panel	22343
11	Panel with Distributor	D22338
12	Upper Front Panel Assembly	C22347
13	Foamed Cabinet Assy	See Table
14	Base Plate	21279

## Ref. 1 - Foamed Cabinet Assy

Condensation	Code
Air	RC11051A
Water	RC11051W



# COOLING SYSTEM



## Common Parts

Ref.	Spare Description	Code
1	Evaporator Cover Panel	Current Version 10449
1	Evaporator Cover Panel	Till s/n. 224685 10023
2	Evaporator	D10417
3	Fan Fixing Hub	10014
4	Sucking Fan	10213
5*	Vacuum-Charge Valve Plug	14006
6*	Vacuum-Charge Valve Device	14005
7	Vacuum-Charge Valve Body	14007
8	Compressor	See Table -
10*	Molecular Drier	14009
12*	Hot Gas Valve Coil	See Table -
13*	Hot Gas Valve Body	20410

## Parts for Air-Cooled Version Only

Ref.	Spare Description	Code
9	Air Condenser	20019

## Parts for Water-Cooled Version Only

Ref.	Spare Description	Code
11	Water Condenser	14014

## Ref. 8 - Compressor

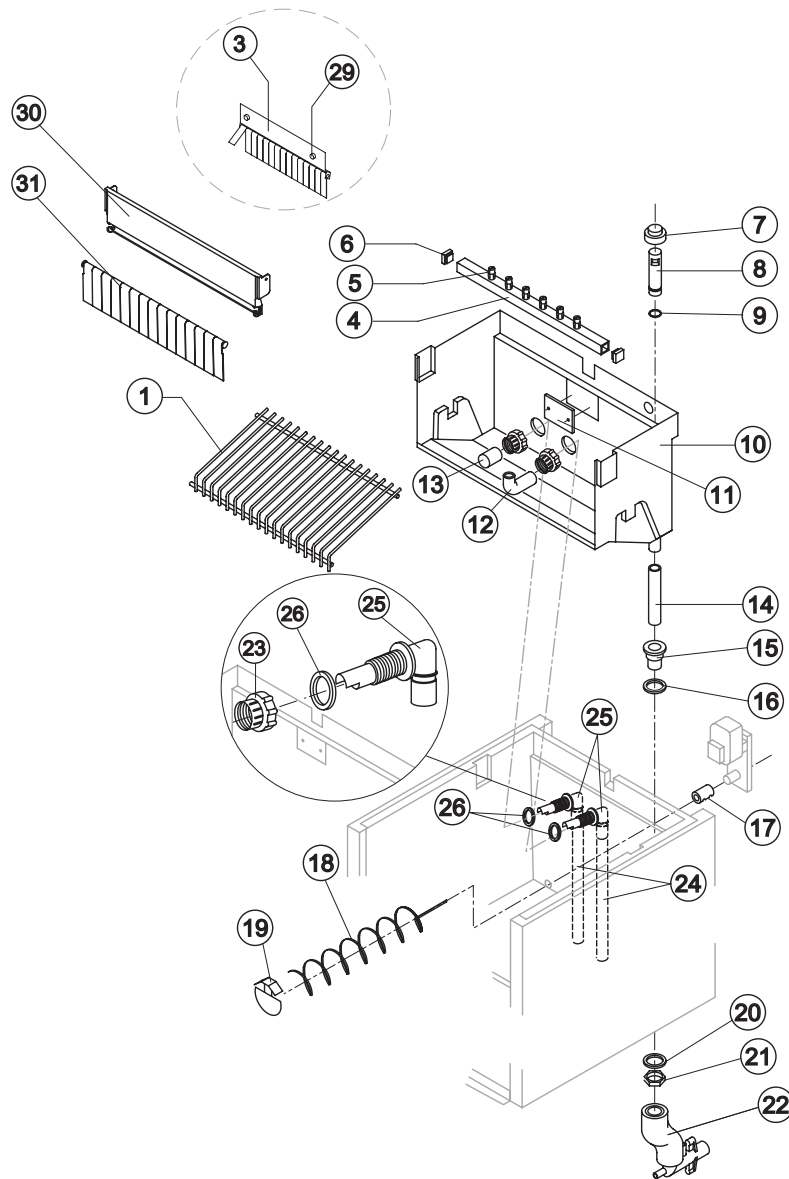
Voltage	Codice
T11	23505A
T12	23495A
T13	23678

## Ref. 12\* - Hot Gas Valve Coil

Voltage	Codice
T11	23091
T12	23091
T13	23256



# HYDRAULIC CIRCUIT



## Common Parts

Ref.	Spare Description	Code
1	Ice Cubes Slide	D12038
3	Panel with Flags	Till s/n. 380443 C22035
4*	Sprayers Bar Assembly	C20189
5	Sprayer	D20002
6	Sprayers Bar Plug	10012
7*	Overflow Cap	10305
8*	Overflow Pipe	10133
9*	OR Gasket for Overflow Pipe	20233
10	Inner Basin	10253
11	Slide Keep Plate	10009
12	Sprayers Feeding Pipe	13005
13*	Pump Suction Filter	20005
14*	Overflow Pipe	13108
15	Water Outlet Nipple	10472
16	Silicone Gasket	13006
17	Connection Bush for Ice Cubes Conveyor Screw	20280
18	Ice Cubes Conveyor Screw	20281
19	Cubes Holding Plate	22402
20	Semirigid Polyethylene Gasket	13007
21	Bin Discharge Nut	10096
23	Fittings Locking Ring	10405
24	Pump Suction/Delivery Pipes	13140
25	Fitting of the Pump Suction/Delivery Pipes	10404
26	Gasket for Pump Suction/Delivery Pipes	13143
29	Fixing Screw	Till s/n. 380443 20009
30	Flags ABS Support	Current Version 10526
31	Rod with Flags	Current Version C10534

## Parts for Air Cooled Version Only

Ref.	Spare Description	Code
22	Discharges Manifold	C10006

## Parts for Water Cooled Version Only

Ref.	Spare Description	Code
22	Discharges Manifold	C26452



# ELECTRIC PARTS

## Common Parts

Ref.	Spare Description	Code
1*	Pump Assy	See Table
2*	Gearmotor	See Table
8*	Electronic Timer	23560
9*	Evaporator Thermostat	R23591
11*	Bin Thermostat	R23005
13*	Timer	See Table

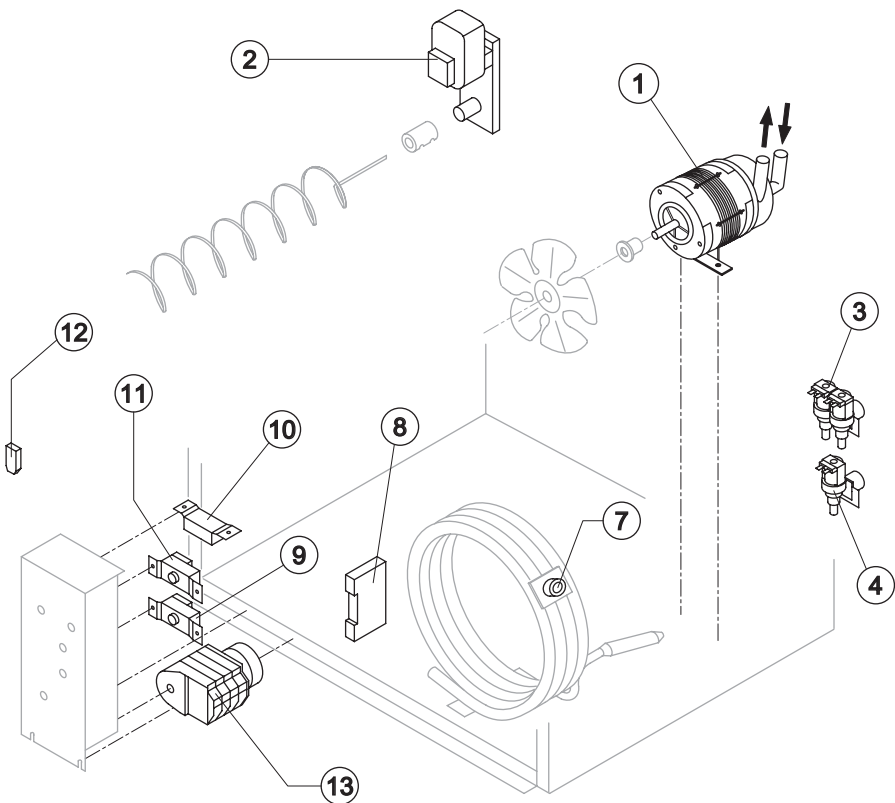
## Parts for Air-Cooled Version Only

Ref.	Spare Description	Code
4*	1 Way- Water Inlet Valve	See Table

## Parts for Water-Cooled Version Only

Ref.	Spare Description	Code
3*	2 Ways- Water Inlet Valve	See Table
7*	Safety Thermostat	C23114
10*	Condenser Pressure Switch	23175
12	Anti Radio Interference Filter	Only 220V 50 Hz C23457

Rev. 10 - 26/08/2013



### Ref. 1\* - Pump Assy

Voltage	Code
T11	C23377
T12	C23377
T13	C23663

### Ref. 2\* - Gearmotor

Voltage	Code
T11	23310
T12	23310
T13	23614

### Ref. 3\* - 2 Ways- Water Inlet Valve

Voltage	Code
T11	23010
T12	23010
T13	23261

### Ref. 4\* - 1 Way- Water Inlet Valve

Voltage	Code
T11	23001
T12	23001
T13	23260

### Ref. 13\* - Timer

Voltage	Code
T11	23247
T12	231077
T13	23258