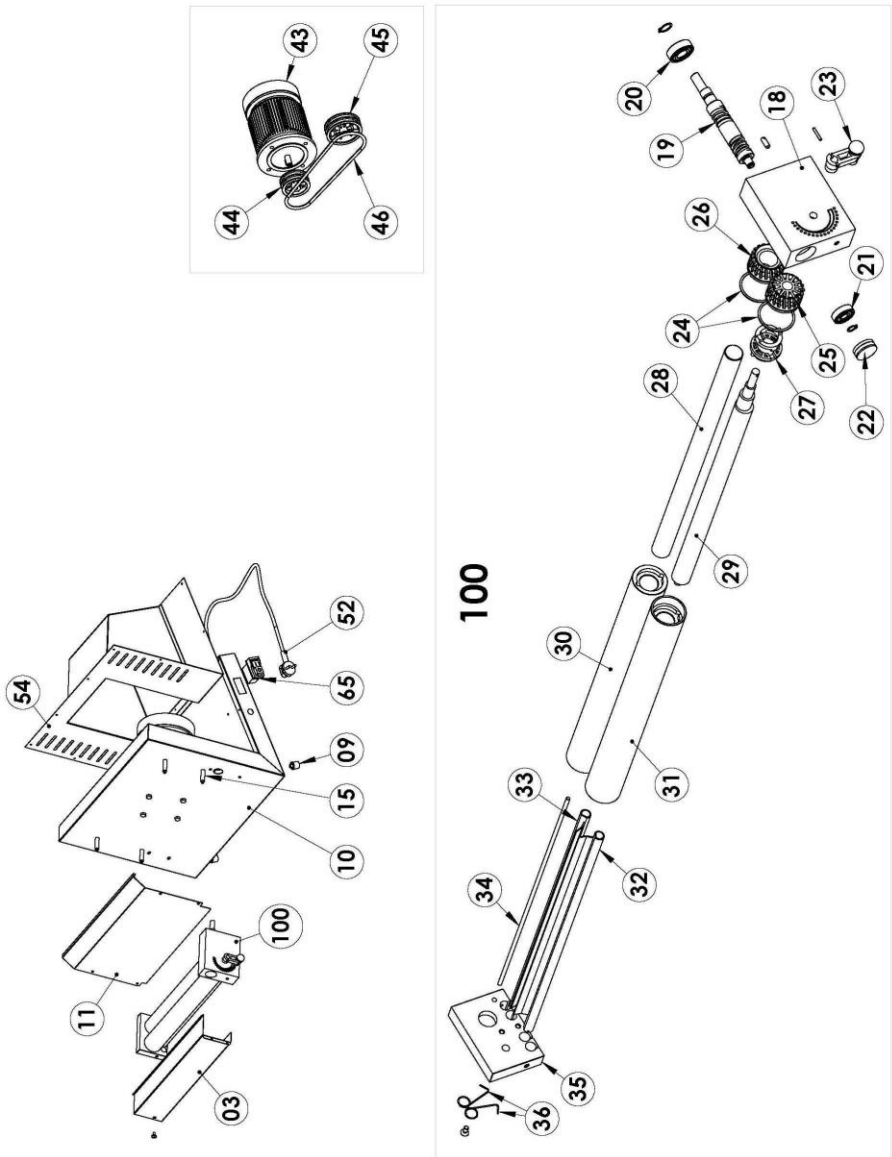
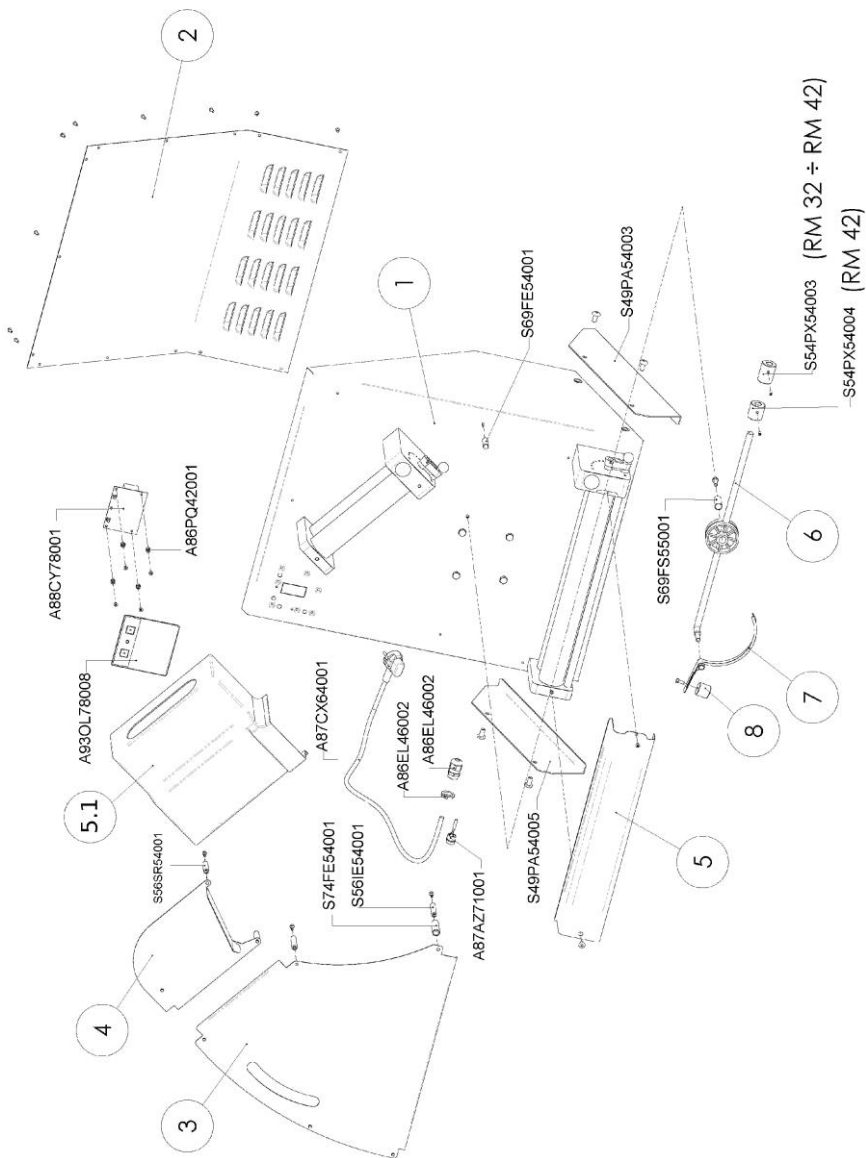


# EXPLODED DRAWING and LIST OF SPARE PARTS

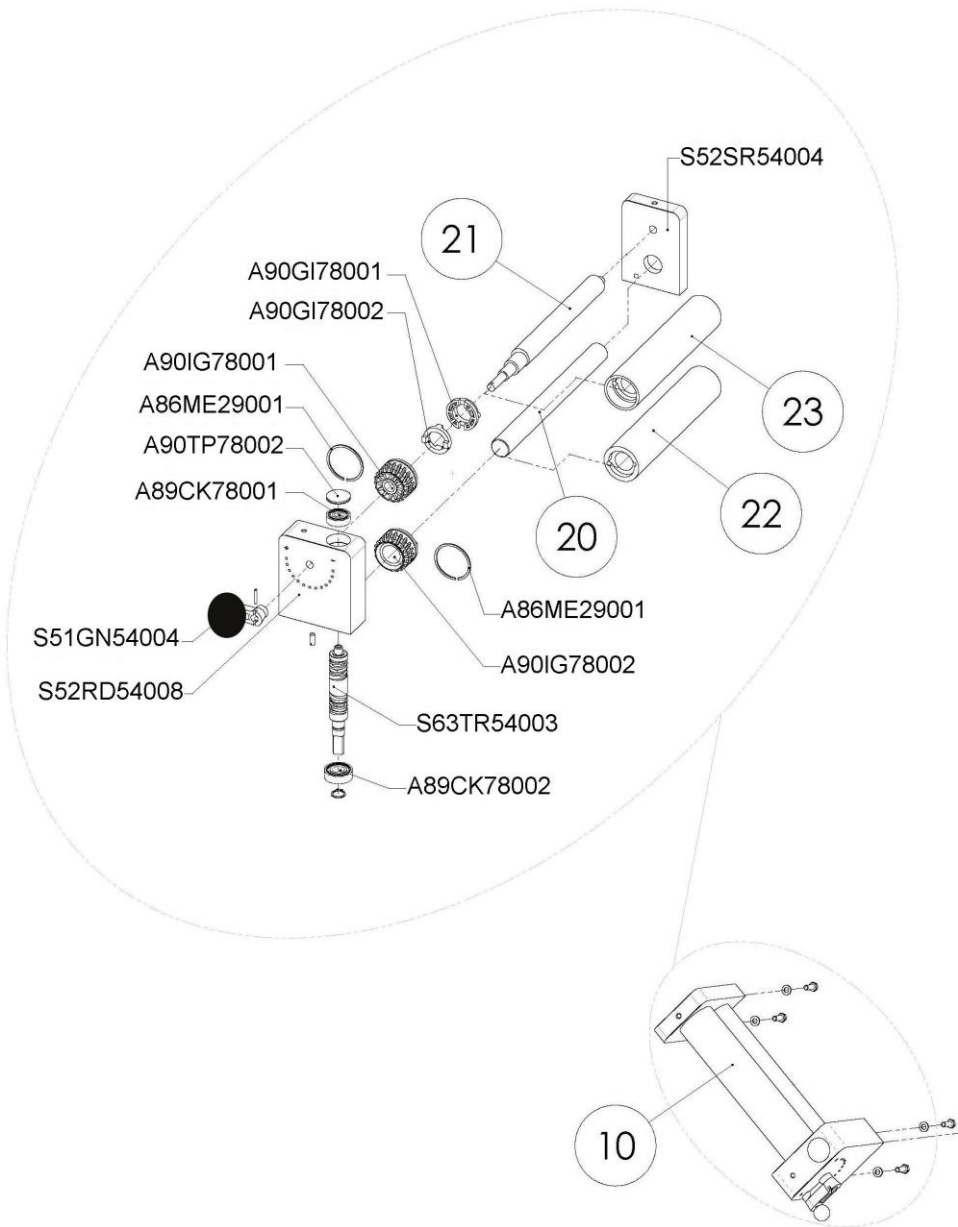


P42/XVM - M42A

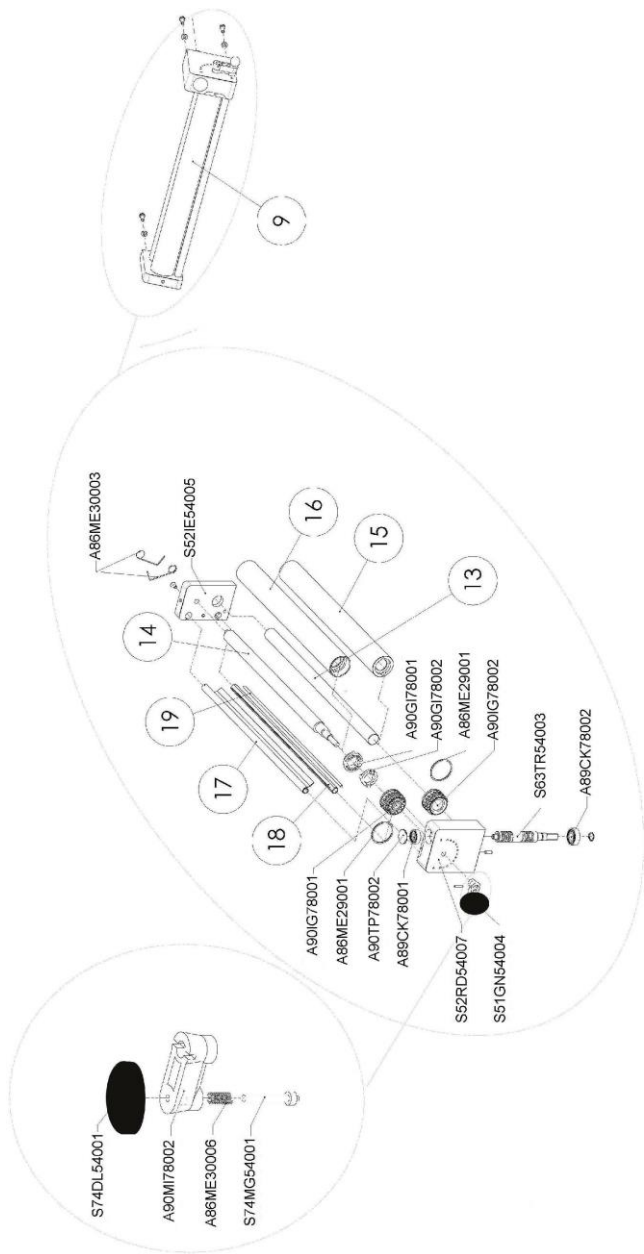
Pos.	Code	Description
3	S61IE54026	LOWER STEEL PROTECTION 42 "Diamond"
9	A90XP78001	LITTLE FEET FSD 3170-031
10	S39SC54023	STEEL ENCLOSURE 42
11	S47MO54001	STEEL SLIDE
15	S56SR54001	TOP SPACER Ø 10X37
18	S52RD54007	LOWER ROUNDED REDUCTION GEAR SUPPORT
19	S63TR54003	HELICAL SCREW
20	A89CK78002	BEARING 6202 ZZ
21	A89CK78001	BEARING 6200 ZZ
22	A90TP78002	GREY CAP RAL 7037
23	S51GN54004	PIZZA THICKNESS ADJUSTMENT
24	A86ME29001	ELASTIC RING 48/2.2X1,45
25	A90IG78001	ECCENTRIC GEAR
26	A90IG78002	CYLINDRICAL GEAR
27	S51GN54006	JOINTS COUPLE MALE/FEMALE
28	S63CD54002	LOWER CYLINDRICAL SHAFT 42A-42TA
29	S63EC54004	LOWER ECCENTRIC SHAFT 42A-42TA
30	S75CD54008	LOWER CYLINDRICAL ROLLER 42-42TA
31	S75EC54007	LOWER ECCENTRIC ROLLER 42-42TA
32	S43RA54005	ALUMINIUM FRONT SCRAPER 42-42TA
33	S43RA54006	ALUMINIUM BACK SCRAPER 42-42TA
34	S61RL54003	STAINLESS STEEL ROD Ø 5X438
35	S52IE54005	SMALL ROUNDED LOWER SUPPORT
36	A86ME30003	SCRAPER SPRING
43	A87MR55003	SINGLE-PHASE MOTOR 220V-50HZ HP 0,5 4 POLES M71 B5
44	A90UL78002	PLASTIC MOTOR PULLEY
45	A90UL78001	REDUCTOR PLASTIC PULLEY
46	A90KI78002	BELT Ø 8X680
52	A87CX64001	CABLE H05VV-F 3X1,5 ART 232 LZ SG100 WHITE 90Ø
54	S66CQ54001	MOTOR CASING ASSEMBLY 42
65	A96ZN00083	RED/GREEN START/STOP KLD28A BUTTON
100	S51RL54039	COMPLETE SET OF LOWER ROLLERS 42A-42TA



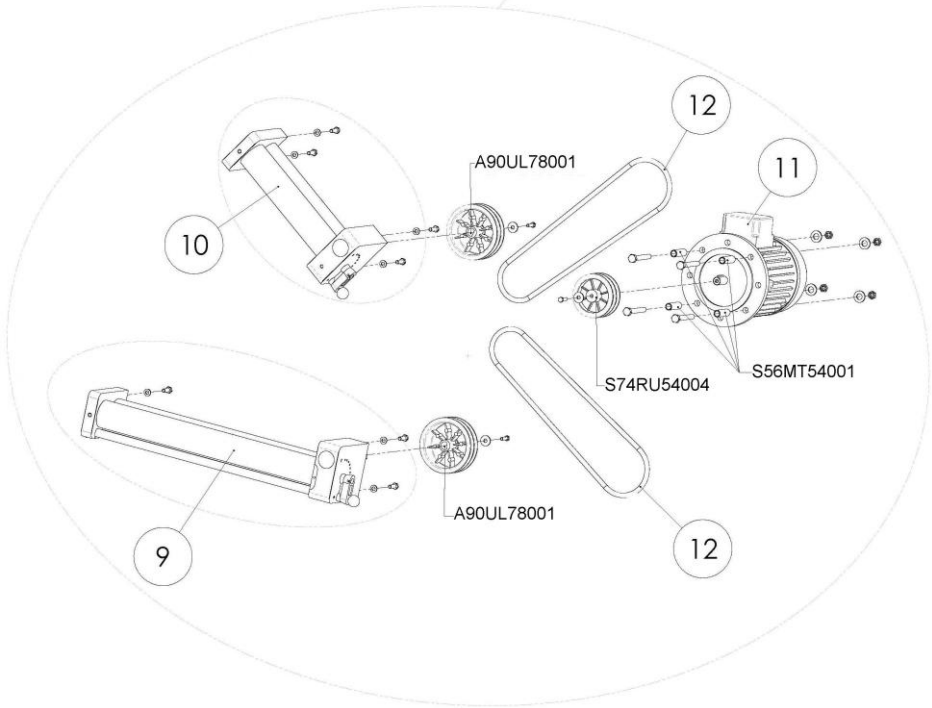
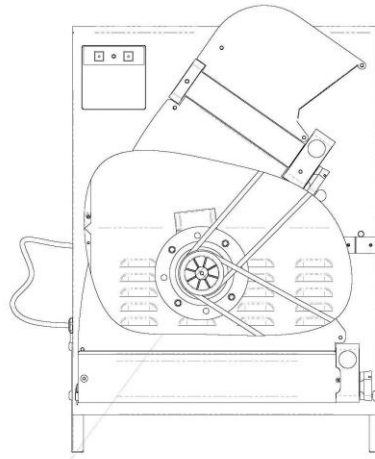
P32/X ÷ P42/X



P32/X ÷ P42/X



P32/X ÷ P42/X



P32/X ÷ P42/X

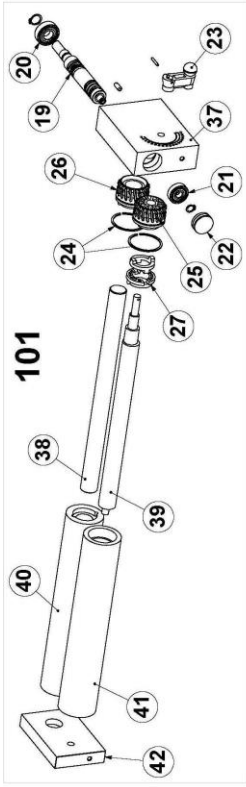
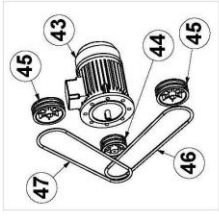
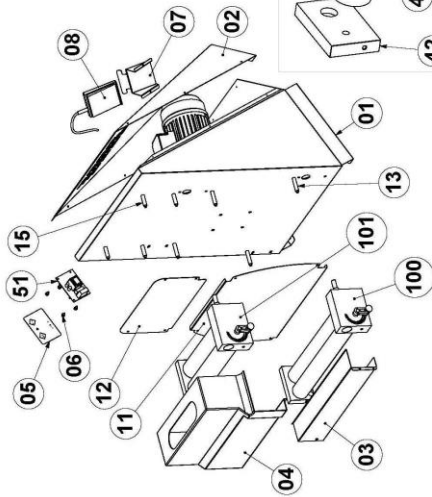
**P32/X**

<b>Pos.</b>	<b>Code</b>	<b>Description</b>
1	S39SC54025	STEEL ENCLOSURE 32A
2	S32DL54001	STEEL BACK COVER 32A
3	S47IE54006	LOWER STEEL SLIDE 32A
4	S47SR54001	UPPER STEEL SLIDE 32A
5	S61IE54024	LOWER STEEL PROTECTION 32A "Diamond"
5.1	A90SU78001	UPPER PLASTIC PROTECTION 32A
6	A90BI54001	BALANCER GROUP 32
7	A99BL54001	LITTLE BALANCE 32
8	S54PX54005	LITTLE BALANCE COUNTERWEIGHT Ø 25x17
9	S51RL54037	COMPLETE SET OF LOWER ROLLERS 32A
10	S51RL54038	COMPLETE SET OF UPPER ROLLERS 32A
11	A87MR55002	MOTOR S71B4 0,25 KW 230V 50 HZ B5
12	A90KI78004	BELT Ø 8x560
13	S63CD54006	LOWER CYLINDRICAL SHAFT 32A
14	S63EC54006	LOWER ECCENTRIC SHAFT 32A
15	S75CD54009	LOWER CYLINDRICAL ROLLER 32A
16	S75EC54009	LOWER ECCENTRIC ROLLER 32A
17	S43RA54001	ALUMINIUM FRONT SCRAPER 32
18	S43RA54002	ALUMINIUM BACK SCRAPER 32
19	S61RL54005	ASTA INOX Ø5X438 MM
20	S63CD54001	UPPER CYLINDRICAL SHAFT 32A
21	S63EC54001	UPPER ECCENTRIC SHAFT 32A
22	S75CD54001	UPPER CYLINDRICAL ROLLER 32A
23	S75EC54001	UPPER ECCENTRIC ROLLER 32A

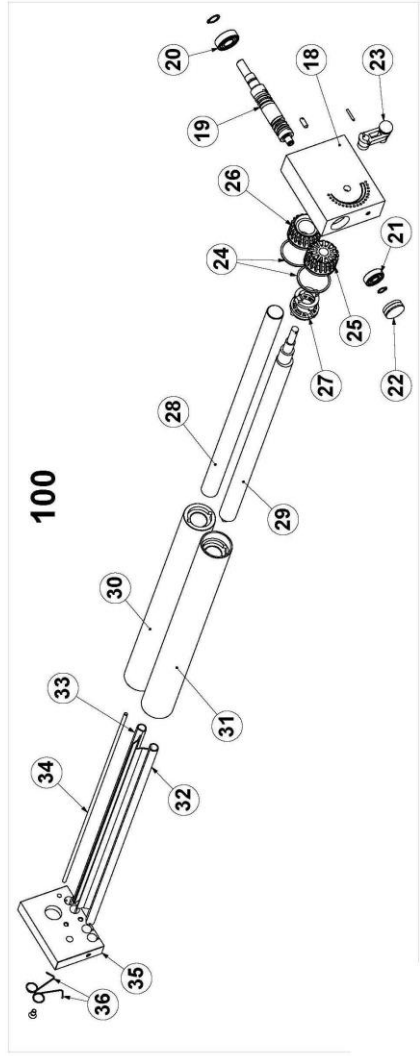
**P42/X**

<b>Pos.</b>	<b>Code</b>	<b>Description</b>
1	S39SC54027	STEEL ENCLOSURE 42A
2	S32DL54003	STEEL BACK COVER 42A
3	S47IE54007	LOWER STEEL SLIDE 42A
4	S47SR54003	UPPER STEEL SLIDE 42A
5	S61IE54026	LOWER STEEL PROTECTION 42A "Diamond"
5.1	A90SU78010	UPPER PLASTIC PROTECTION 42A
6	A90BI54002	BALANCER GROUP 42
7	A98DL54002	LITTLE BALANCE 42
8	S79BL54001	LITTLE BALANCE COUNTERWEIGHT Ø 25x23
9	S51RL54039	COMPLETE SET OF LOWER ROLLERS 42A
10	S51RL54040	COMPLETE SET OF UPPER ROLLERS 42A
11	A87MR55003	MOTOR S71B4 0,37 KW 230V 50 HZ B5
12	A90KI78001	BELT Ø 8x784
13	S63CD54002	LOWER CYLINDRICAL SHAFT 42A
14	S63EC54004	LOWER ECCENTRIC SHAFT 42A
15	S75CD54008	LOWER CYLINDRICAL ROLLER 42A
16	S75EC54007	LOWER ECCENTRIC ROLLER 42A
17	S43RA54005	ALUMINIUM FRONT SCRAPER 42
18	S43RA54005	ALUMINIUM BACK SCRAPER 42
19	S61RL54003	ASTA INOX Ø5X438 MM
20	S63CD54005	UPPER CYLINDRICAL SHAFT 42A
21	S63EC54002	UPPER ECCENTRIC SHAFT 42A
22	S75CD54004	UPPER CYLINDRICAL ROLLER 42A
23	S75EC54004	UPPER ECCENTRIC ROLLER 42A





**101**



**100**

**P42/XV**

<b>Pos.</b>	<b>Code</b>	<b>Description</b>
1	S31DL54011	BASE 42TA
2	S33PS54020	BACK COVER 42TA
3	S61IE54026	LOWER STEEL PROTECTION 42A "Diamond"
4	A90SU78009	UPPER PLASTIC PROTECTION 42TA
5	A93OL78004	BUTTON LABEL "Diamond"
6	A86PQ42001	PLASTIC SPACER CF06H4080 18-06
7	S74CQ54005	FOOTPEDAL POCKET
8	S66CI54002	FOOTPEDAL WITH CABLE 2X0,75
11	S47IE54013	LOWER STEEL SLIDE 42TA
12	S47SR54006	UPPER STEEL SLIDE 42TA
13	S56IE54001	LOWER SPACER Ø 10X46
15	S56SR54001	UPPER SPACER Ø 10X37
18	S52RD54010	LOWER REDUCTION GEAR SUPPORT
19	S63TR54003	HELICAL SCREW
20	A89CK78002	BEARING 6202 ZZ
21	A89CK78001	BEARING 6200 ZZ
22	A90TP78002	GREY CAP RAL 7037
23	S51GN54004	PIZZA THICKNESS ADJUSTMENT
24	A86ME29001	ELASTIC RING 48/2.2X1,45
25	A90IG78001	ECCENTRIC GEAR
26	A90IG78002	CYLINDRICAL GEAR
27	S51GN54006	JOINTS COUPLE MALE/FEMALE
28	S63CD54002	LOWER CYLINDRICAL SHAFT 42-42TA
29	S63EC54004	LOWER ECCENTRIC SHAFT 42-42TA
30	S75CD54008	LOWER CYLINDRICAL ROLLER 42-42TA
31	S75EC54007	LOWER ECCENTRIC ROLLER 42-42TA
32	S43RA54005	ALUMINIUM FRONT SCRAPER 42-42TA
33	S43RA54006	ALUMINIUM BACK SCRAPER 42-42TA
34	S61RL54003	STAINLESS STEEL ROD Ø 5X438
35	S52IE54003	SMALL LOWER SUPPORT
36	A86ME30003	SCRAPER SPRING
37	S31RD54001	UPPER REDUCTION GEAR SUPPORT
38	S63CD54003	UPPER CYLINDRICAL SHAFT 42TA
39	S63EC54003	UPPER ECCENTRIC SHAFT 42TA

40	S75CD54004	UPPER CYLINDRICAL ROLLER 42TA
41	S75EC54004	UPPER ECCENTRIC ROLLER 42TA
42	S52SR54002	SMALL UPPER SUPPORT
43	A87MR55003	MOTOR S71B4 0,37 KW 230V 50 HZ B5
44	A90UL78002	PLASTIC MOTOR PULLEY
45	A90UL78001	REDUCTOR PLASTIC PULLEY
46	A90KI78001	BELT Ø 8x784
47	A90KI78001	BELT Ø 8x784
51	A88CY78001	CIRCUIT BOARD 12V
100	S51RL54043	COMPLETE SET OF LOWER ROLLERS 42A-42TA
101	S51RL54040	COMPLETE SET OF UPPER ROLLERS 42A-42TA