

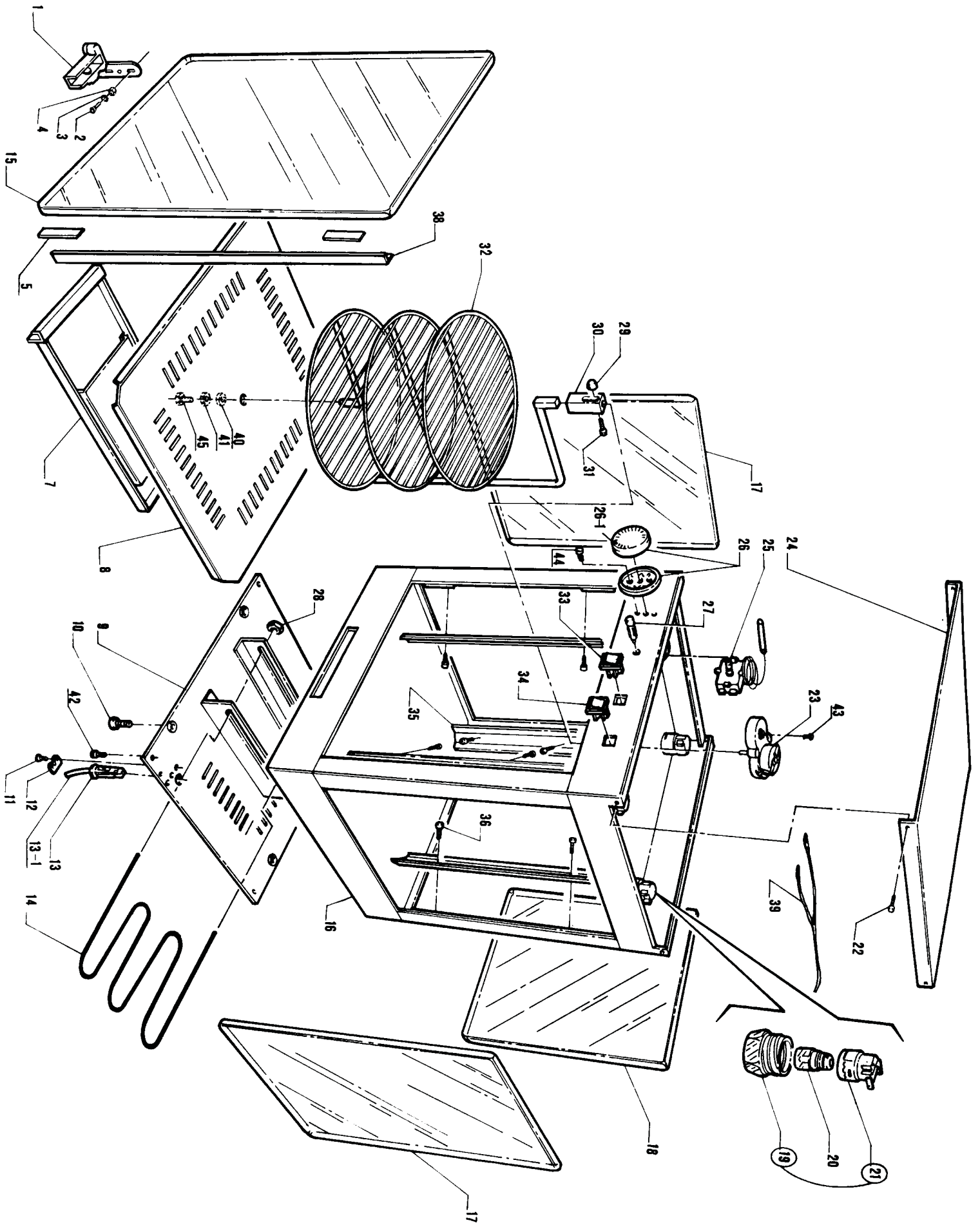
08/2016

Mod: PIZZA/D38

Production code: 30410002



Diamond
catering equipment



01	CHARNIERE COMPLETE VETRINETTA	IB7506000
05	MAGNETIC PLATE FOR VETRINETTA	IB5826051
07	WATER TRAY FOR VETRINETTA	IB2586006
08	FALSO FONDO VETRINETTA	IB2486011
09	FONDO VETRINETTA	IB2586004
10	RUBBER FOOT	IB4356000
13-1	CAVO SHUKO 1 X 1.700 X PA 205	IB5506005
13	PRESSACAVO PA 205 O 84	IB5893020
14	RESISTANCE SUPER. 1000 W _ FORNETTO	IB5256400
15	FRONT GLASS W/HINGES_ VETRINETTA 38	IB3556000
16	CORPO VETRINETTA	IB2486001
17	VETRO LATERALE VETRINETTA	IB3556010
18	VETRO POSTERIORE VETRINETTA	IB3556020
19 - 21	PORTALAMPADE VETRINETTA	IB5846000
20	LIGHT BULB - VETRINETTA	IB5946010
23	MOTOR 230/50 FOR VETRINETTA	IB5036000
24	COPERCHIO VETRINETTA	IB2486012
25	THERMOSTAT FOR VETRINETTA	IB5866000
26-1	ETICHETTA TERMOSTATO VETR.	IB8156000
26	KNOB, THERMOSTAT DISPLAYER	IB4206010
27	LAMPE TEMOIN POUR SALAMANDRA GRILL	IB5846400
30	RACK DRIVE FOR VETRINETTA	IB1926000
32	GRIGLIA VETRINETTA	IB3046000
33	SWITCH ON-OFF	IB5806000
34	SWITCH ON-OFF	IB5806000
35	SPONDINA INTERNO VETRINETTA	IB2586010
38	HANDLE FOR VETRINETTA	IB2486010
39	CABLAGGIO VETRINETTA	IB5556000