

05/2018

# Mod: TE147/B

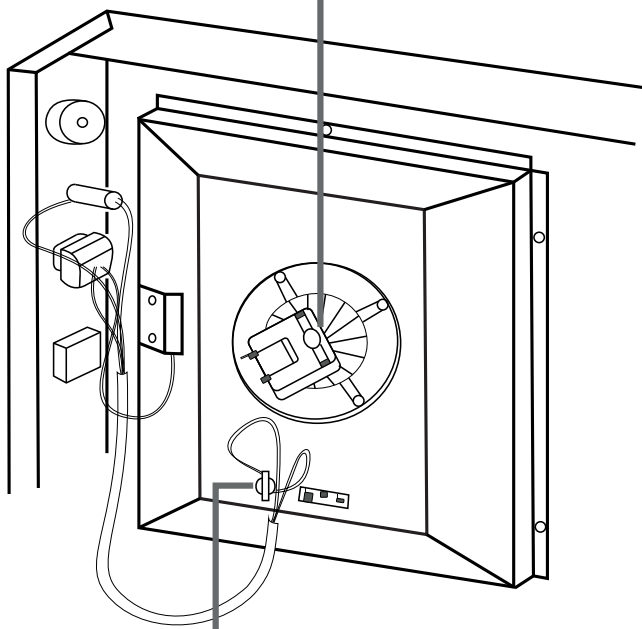
Production code: TFC/147



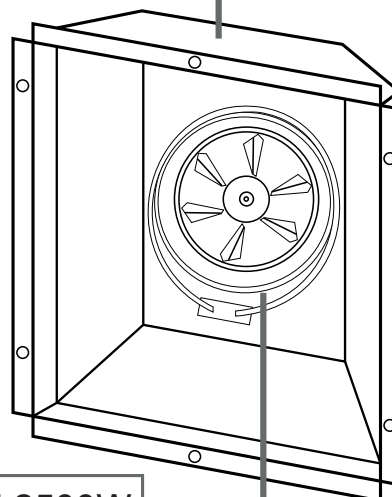
**Diamond**  
catering equipment

**KIT CHAUFFANT - VERWARMDE KIT - WARMING KIT - HEIZUNGSKIT**

**VENTILATEUR VF1 150/20**  
REF: CTFC/08



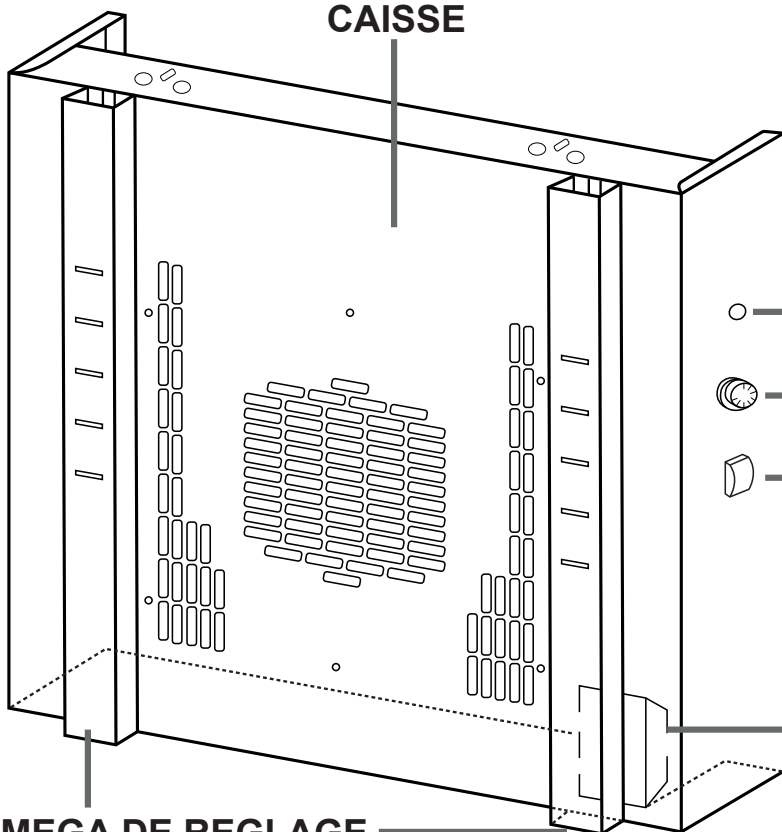
**CACHE MOTEUR**



**CLIXON A CONTACT**  
150° - 16A  
REF: CTFC/07

**RESISTANCE 2500W**  
230V - 190 mm  
REF: CTFC/06

**CAISSE**



**TEMOIN ORA**  
REF: BM03

**THERMOSTAT 30°-90°**  
REF: CTFC/05

**INTERRUPTEUR**  
16A - 250V  
REF: E004

**BORNIER 3 PÔLE**  
FV 40A - 400V  
REF: CTFC/03A

**OMEGA DE REGLAGE**