

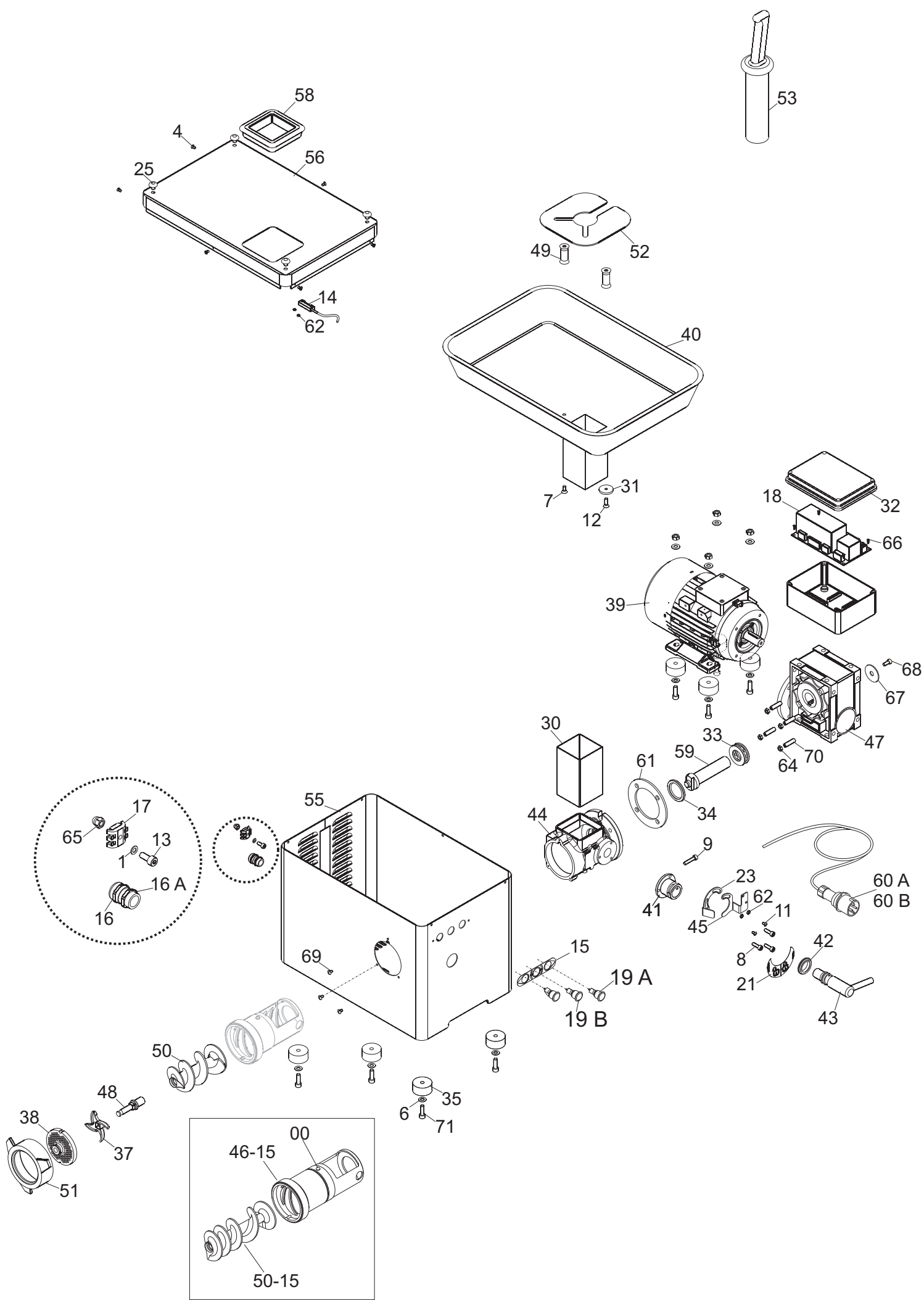
05/2015

Mod: TGD22/AT-N

Production code: 212270P02F



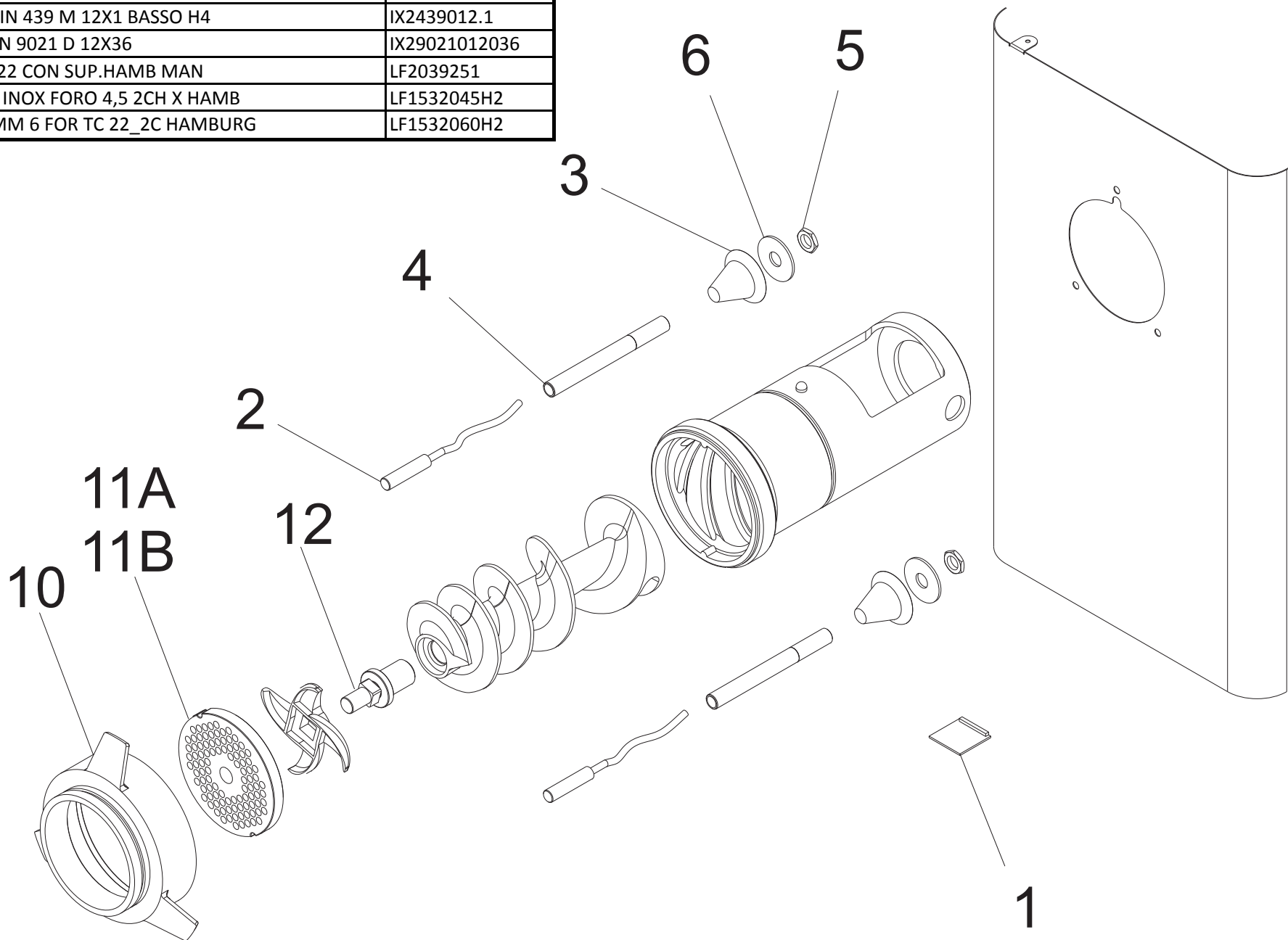
Diamond
catering equipment



TGD22/AT - TSU22/AT - from 2015.05.20

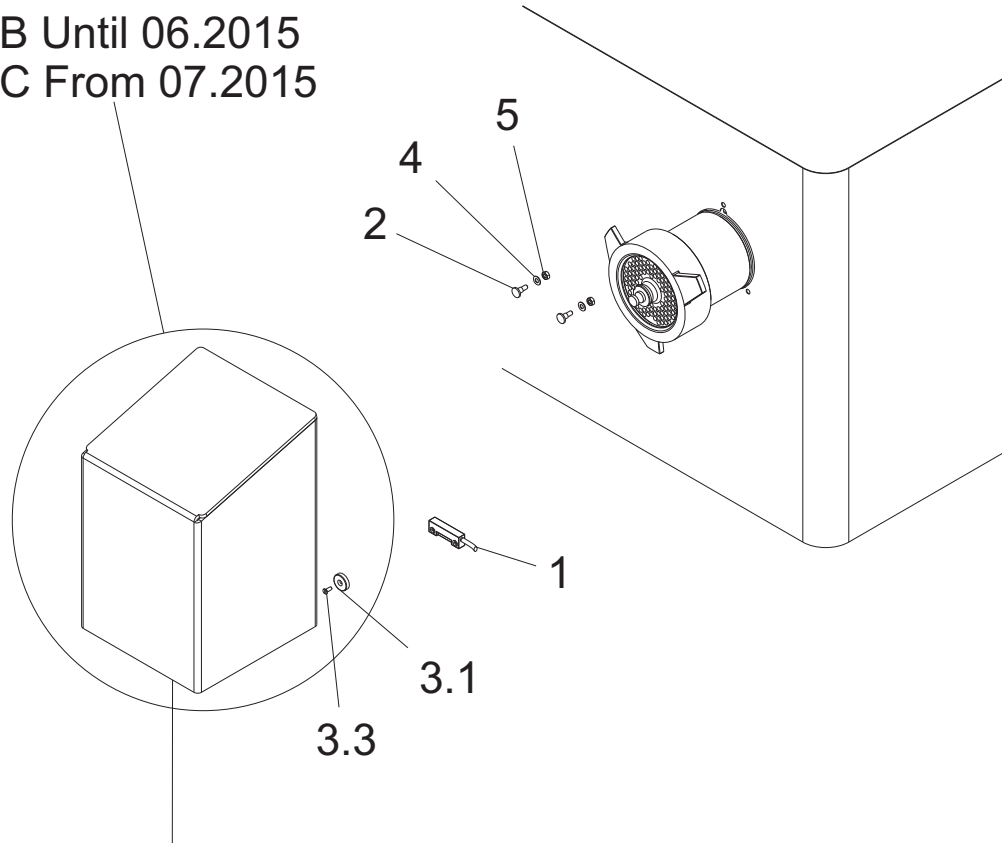
Ref.	Product name	Code
0	GRINDING MOUTH PIN FOR TC	LF2032105
7	VITE TCSU ANTICONTRAF. M 6X12	IX2TCSU006012
14	MAGNETIC CONTACTOR	LF1010005
15	FRAME FOR 3 BUTTONS S/S PANEL	LF1041003
16 A	DADO OTT.NICH.PG 11	LF1010063A
16	STRAIN RELIEF + NUT	LF1010063
17	MORSETTO A PETTINE X EQUIPOTENZ. BZ	LF1030522050
18	PCB WITH REVERSE TC-ME R3 EQ.	LF1033031
19 B	S/S BUTTON STOP	LF1041018
19 A	S/S BUTTON W/LIGHT OMEGA 24 V	LF1041015
21	MOSTR.CON LEVA BLOCCAG.BOCCA	LF1035833
23	LAMIERINO BLOCCO PERNO BOCCA TC	LF2030522043
25	RUBBER STOPPER MEAT TRAY	LF1438401
30	COLLO QUADR LAMIERA PORT.BOC TC BRC	LF2035842
31	MAGNET M634	LF1039710
32	SCAT.GRIGIA ELETTR. ABB. 0852	LF1041006
33	BALL BEARING 51105	LF1132002
34	SEALING RING 35-50-5	LF1239203
35	RUBBER FOOT DIAM 40 H=25	LF1433001
37	S/S KNIFE FOR TC 22	LF1532000I
38	PLATE FOR TC22 4.5 MM 2C	LF1532045I2
39	MOTOR HP 2 400/50 _ TC 22 NEVADA	LF1831401
40	TRAMOGGIA TCX 12-22 BZ	LF2030522020
41	BOCCOLA BLOCC.BOCCA TCX BZ	LF2030522030
42	GUARN. PERNO SBLOC.BOC TCX BZ	LF2030522033
43	LOCKING PIVOT _ TC RIO/NEVADA	LF2030522035
44	PORTA BOCCA ALL TCX 12-22 BZ	LF2030522040
45	SUPPORTO MICROINTER. TC BZ	LF2030522045
46-15	MINCING HEAD NEVADA 22 - LONG	LF2030522080
47	REDUCER 050 B14 I=15	LF2031410
48	WORM PIN FOR MINCER TC 22	LF2032008
49	DIST. SALVAMANO TC 32	LF2034207
50-15	WORM FOR NEVADA 22 LONG	LF2030522090
50	FEEDING WORM TC 22 BARC/RIO_NEW TYP	LF2035821
51	FIXING SCREW LONG _ TC22 NEVADA	LF2035888
52	SALVAMANO TC 12/22 BRC COLLO QUAD	LF2035833
53	PUSHER L.180 D.48 FOR TC 22	LF2035862
55	CARENATURA COMPLETA TCQ 22	LF2038365
56	COPERCHIO CARENA TCQ 22	LF2038368
58	GUARNIZIONE COLLO TC 22	LF2035864
59	SHAFT FOR TC 22_NEW TYPE	LF2039212
60	CAVO + SPINA CEE 3P + T.	LF1010047
61	DISTANZIALE PORTABOCCA TCQ 22	LF2031415

Ref.	Product name	Code
1	SCHEDA EQ CONTROLLO HAMB MAN	LF1033025
2	MICROSWITCH _SO INOX/IP BA/TC32F/GF	LF1033302
3	BASE CONIC TUBO SUP MICR HAMB M TC	LF2039236
4	TUBO L 120 SUP.MIC HAMB. MAN TC TCQ	LF2039237
5	DADO ES. DIN 439 M 12X1 BASSO H4	IX2439012.1
6	WASHER DIN 9021 D 12X36	IX29021012036
10	GHIERA TC 22 CON SUP.HAMB MAN	LF2039251
11A	PIASTRA 22 INOX FORO 4,5 2CH X HAMB	LF1532045H2
11B	S/S PLATE MM 6 FOR TC 22_2C HAMBURG	LF1532060H2



ENTERPRISE

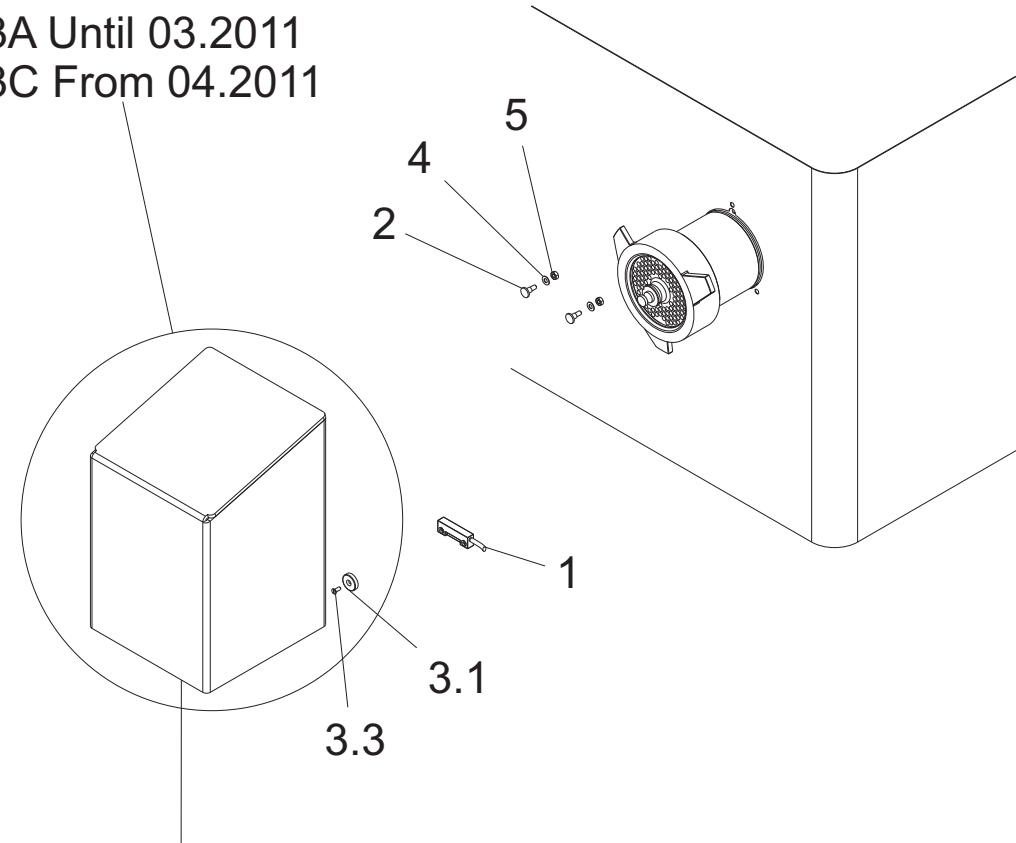
3B Until 06.2015
3C From 07.2015



3.2B Until 06.2015
3.2C From 07.2015

UNGER

3A Until 03.2011
3C From 04.2011

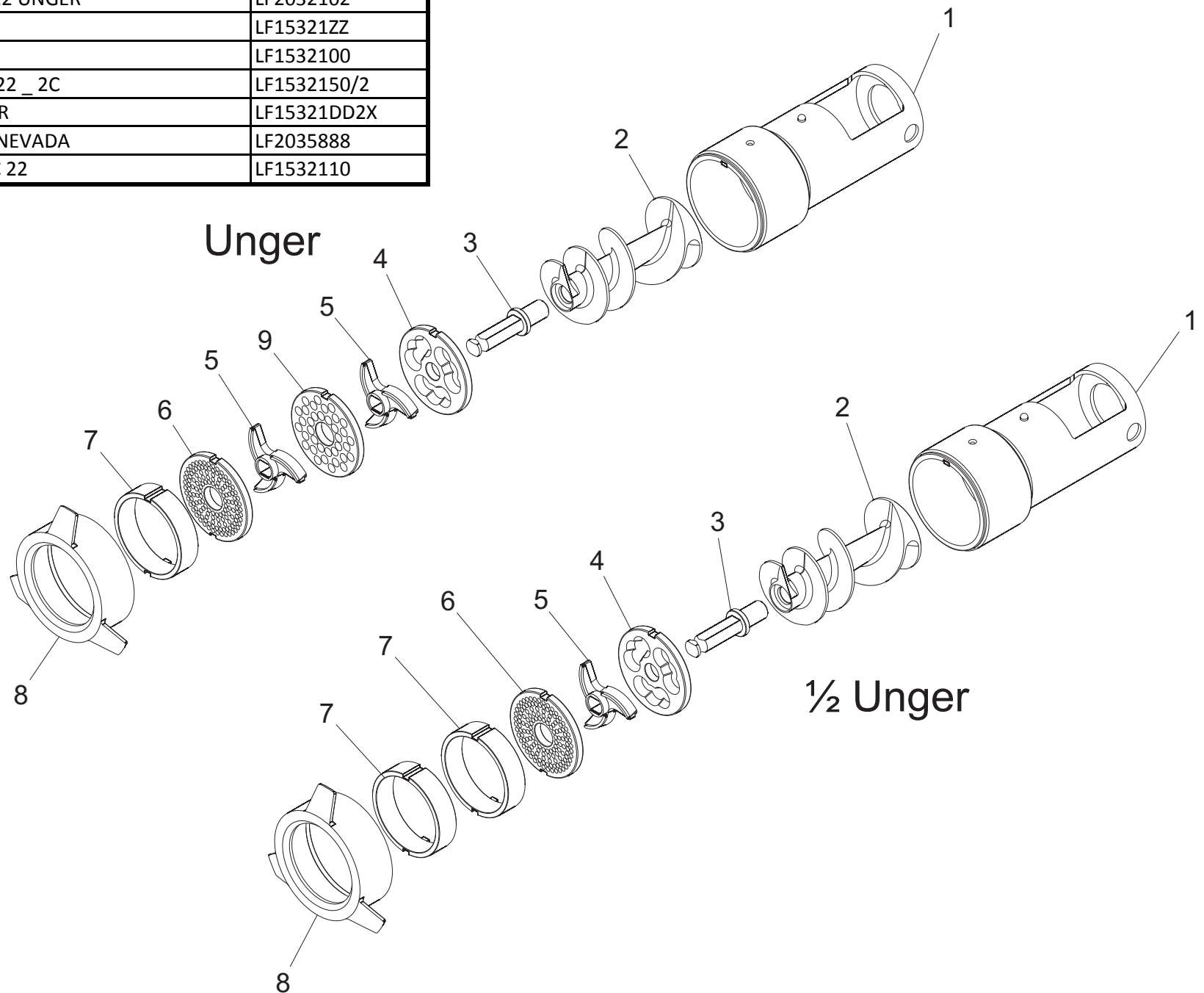


3.2A Until 03.2011
3.2C From 04.2011

TGD22/AT - TSU22/AT - from 2015.05.20

Ref.	Product name	Code
1	MAGNETIC CONTACTOR	LF1010005
2	PERNO SUPPORTO PROT.BOCCA TC	LF2035873
03A	ASS.PROTEZ.BOCCA UNG-IX L TCX-Q 22	LF2038323A
03.1	MAGNETE RICOPERTO DIA.17 M634 NA BA	LF1039712
03.2B	PROTEZIONE BOCCA TCX 22	LF2038320
03.2A	PROTEZIONE BOCCA UNGER TCX-Q 22	LF2038323
03.3	VITE TSP- DIN 963 M 3X8	IX2963003008
4	WASHER FLAT DIN 125 D.4	IX2125004
5	HEX.NUT DIN 934 M 4	IX2934004

Ref.	Product name	Code
1	UNGER MOUTH LONG SQUARE TC22 NEVADA	LF2035885
2	FEEDING WORM TC 22 BARC/RIO_ NEW TYP	LF2035821
3	WORM PIN FOR MINCER TC 22 UNGER	LF2032102
4	COARSE PLATE FOR TC 22	LF15321ZZ
5	UNGER KNIFE FOR TC 22	LF1532100
6	UNGER PLATE MM 5 FOR TC 22 _ 2C	LF1532150/2
7	SPACER RING 2C TC 22 UNGER	LF15321DD2X
8	FIXING SCREW LONG _ TC22 NEVADA	LF2035888
9	UNGER PLATE MM 10 FOR TC 22	LF1532110



Ref.	Product name	Code
1	DISTANZIALE APPLIC. CONTINUA TC 22	LF2038315
2	ANELLA BLOC. IMB.APPL.INS.CON.TC 22	LF2038318
3	PLASTIC FILLING TUBE D.10 MM	LF2011015A
4	PLASTIC FILLING TUBE D.18 MM	LF2011015B
5	PLASTIC FILLING TUBE D.25 MM	LF2011015C

