

04/2013

Mod: ES6/F8T-N

Production code: FE-30 EL



Diamond
catering equipment

CONTENT

Declaration of a standart conformity	3
Technical data	3
Packing + device check	4
Important notice	4
Instalation	4
Placement of the device	5
Chart	5
Connection of the electric cable to electricity	6
Maintenance	6
Instructions for use	6
Comments and recommendation	7
Cleaning and maintenance	7
Process in case of wrong function of the device	7

DECLARATION OF A STANDARDS CONFORMITY

The producer confirms that the devices agree with CEE 90/396 standards, rule nr. 22/1997 sb. and with relevant government orders. Installation must be done with respect to valid standards. Attention, the producer refuses any responsibility in case of direct or indirect damages which are caused due to wrong installation, incorrect intervention or modification, insufficient maintenance, incorrect use and also possibly caused by other reasons presented by items in sale conditions. This appliance is set only for skilled use and must be operated by qualified persons only. Parts set and secured by the producer or accredited person must not be rebuilt by user.

TECHNICAL DATA

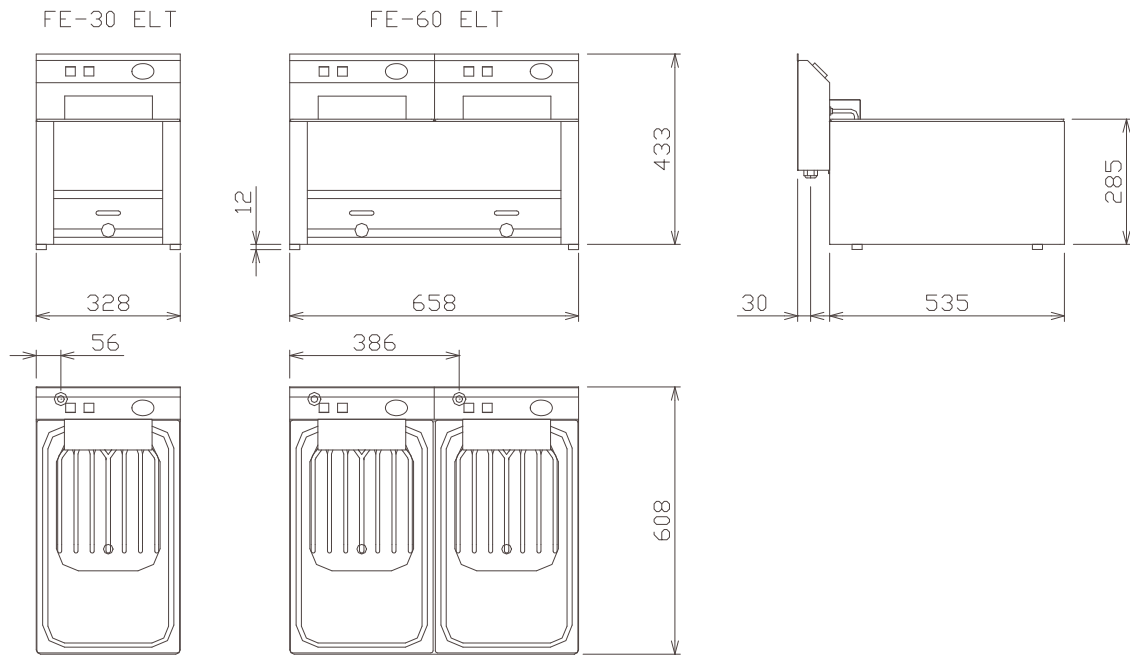
Label with technical data is placed on the back side of the device. Study the electrical diagram of connection and all following information before installation.

Model	Power kW Voltage V	Volume l
FEL - 30	3kW x 230V	8
FEL - 60	2x3 kW x 230 V	2 x 8
FEL - 30 T	6 kW x 400 V	8
FEL - 60 T	2x6 kW x 400 V	2 x 8

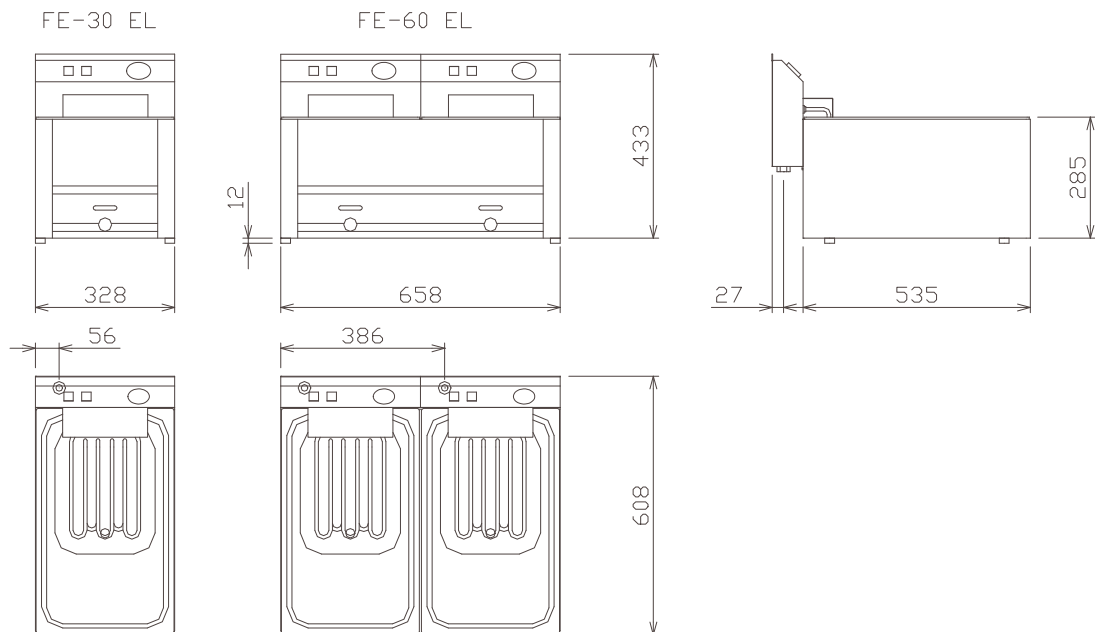


DIMENSIONS

FE-30,60 ELT



FE-30,60 EL



PACKING AND DEVICE CHECK

The device leaves our stocks properly packed with appropriate symbols and labels. There are also appropriate instructions for use. In case the packing shows bad handling or damage, it must be reclaimed at transporter immediately by writing and signing of a damage protocol.

Important notice

- this instructing guide must be read properly and carefully because it contains important information about safety elements, instalation, use
- these recommendations refer to this product
- this product corresponds with valid standards
- this guide must be properly deposited for future use
- keep the children away from manipulation with the product
- when selling or moving the product to another place it is necessary to make yourself sure that the staff or the professional service has got acquainted with control and instalation instructions from enclosed guide
- only authorised person can operate the product
- can be use only for frying food
- it cannot be switched on without supervision
- we recommend to have the product checked by proffesional service min. once a year
- only original spare parts can be used for repairs
- the product cannot be cleaned by the water jet or pressure shower
- by damage or break down disconnect all the feeders (water, gas, electricity) and call proffesional service
- producer refuses any responsibility in case of damages caused by wrong instalation, by disobersing of above mentioned recom mendations or by other use etc.

TECHNICAL INSTRUCTIONS FOR INSTALATION AND REGULATION

Can be used ONLY by specialized technicians. following instructions apply to the technician specialized in instalation to do all the operations in the most correct way and according to the valid standards.

Important

Any activity connected with regulation etc. must be done only when the device is disconnected from electricity. If it is necessary to have the device connected to the electricity (during repairs) you must be very careful.

PLACEMENT

The device must be instalated in well ventilated room what is necessaryfor regulation of the function of the device (technician must go by valid standard (ČSN...)). If the device is situated close to the wall or if it is in contact with the furniture walls, these walls must resist the temperatures ranging to 60°C. Instalation, setting, putting into operation must be done by qualified person who is competent for this and according to the valid standards.

Wrap up the device and check whether it was not damaged during transport. Settle the device on horizontal surface (max imbalance 2°). Settle the device under the fumehood to eliminate water steam and bad smell. The device can be instalated separately or in a set with devices of our production. Min. distance 10 cm from other subjects must be kept. It is also necessary to prevent our product from contact with combustible materials. In this case you must make corresponding changes to secure heat izolation of combustible parts.

SAFETY MEASURES FROM THE STANDPOINT OF THE FIRE PROTECTION ACCORDING TO ČSN 061008ČL. 21:

- only adults can operate the device
- device must be safely used in common surroundings according to ČSN 332000-1
- device must be placed so as to stand or hang on the noncombustible surface

No subjects from combustible materials can be placed directly on the device or in distance which is shorter than safety distance (the shortest distance is 10 cm).

- safety distances from various materials of different degree of combustion and information about the degree of comb. of common building materials - see chart:

Chart

combustion degree of building materials classified according to the combustion degree of materials and products (ČSN 730823)

A noncombustible	granit, sandstone, concretes,bricks, ceramic wallfacing tiles, plaster
B uneasily combustible	akumine, heraklite, lihnos, itavere
C1 hardly combustible	leafy wood, plywood, sirkoklit, rare paper,formica
C2 middle combustible	fibreboards, solodure, cork boards, rubber, floor-coverings
C3 easily combustible	wood-fibreboards, polystyrene,polyurethane, PVC

Devices must be instalated in a safe way. When instaling you must respect corresponding project, safety and hygienic orders according to:

- ČSN 061008 fire protection of local devices and sources of heat
- ČSN 332000 surrounding for electric devices

CONNECTION OF THE ELECTRIC CABLE TO THE ELECTRICITY

Installation of electric feeder - This feeder must be separately protected by a safety fuse according to the specific electric stream which depends on the wattage of the installed device. Check the wattage on the label at the back of the device. Connect the device directly to the electricity but you must put the switch between the device and electric net. The switch must be placed in min. distance 3 mm between the particular contacts according to the standards and loading. The feeder of grounding (yellow-green) cannot be interrupted by this switch. In every case feeding cable must be placed so that no point of the cable will reach the temperature which is 50°C higher than the temperature of the surrounding. Before connecting the device check that:

- safety fuse of the feeder and inner mains can stand the loading of the device (see label of the matrix)
- mains are equipped with effective grounding according to standards (ČSN) and conditions given by law
- socket or switch of the feed is well accessible from device

We refuse any responsibility in case of not respecting above mentioned rules.

Before the first use it is necessary to remove all the protection foil and to clean the device - see chapter "cleaning and maintenance".

Maintenance

We recommend to have the device checked once a year by the professional service. Only qualified or competent persons can do interventions in the product.

INSTRUCTION FOR USE

Attention! Before the first use of the device you must remove protection foil from all surfaces and wash the device with water with detergent. Then splash it with clean water. Use the device under supervision. Never use the device without oil or if the level of the oil is lower than min. line - danger of fire. If the oil is dirty or you use the oil longer time it may cause boiling over.

Do not fry more than 1 kg of food together in one bath.

Fill the device with frying oil not higher than the line on the side. Switch on with main switch (B) turn the knob (E) to required position between 90°C - 180°C. Pilot lamps (C) and (D) will light. Pilot lamp (C) lights when the device is in electricity and switched on. Pilot lamp (D) lights when the thermo spirals are on. Pilot lamp (D) goes out when the device reaches required temperature. Switch the device off by turning the knob (E) into position "0" and switch over the switch (B) into position "0".

Comments and recommendation

You must always check the level of oil, never use the device without oil. Use the device only under supervision.

CLEANING AND MAINTENANCE

ATTENTION! The device cannot be cleaned by direct or pressure water. Clean it daily. Daily maintenance keeps longer useful life and efficiency of the device. Before cleaning make sure to have disconnected the device from electricity. Always switch off the main feeder to the device. Stainless parts wash with moist cleaning cloth and detergent without groove parts than dry it by the cloth - mainly around the regulation knob, main switch, cable bushing, feeding cable, microswitch and fit-on listel. Do not use abrasive and corrosive detergents. How to clean heating elements - take out the box with heating elements. Clean the heating elements only with moist cloth.

User must have convenient bowl for discharging the bath. This bowl must be made from heat-resistant material. Put the bowl in the safe place to prevent discharging oil from splashing. Splashing can cause the danger. Put on the discharging pipe, open the safety catch by turning it up and turn the lever into position marked as opening of the cock. Discharge the bath only when the oil is cold.

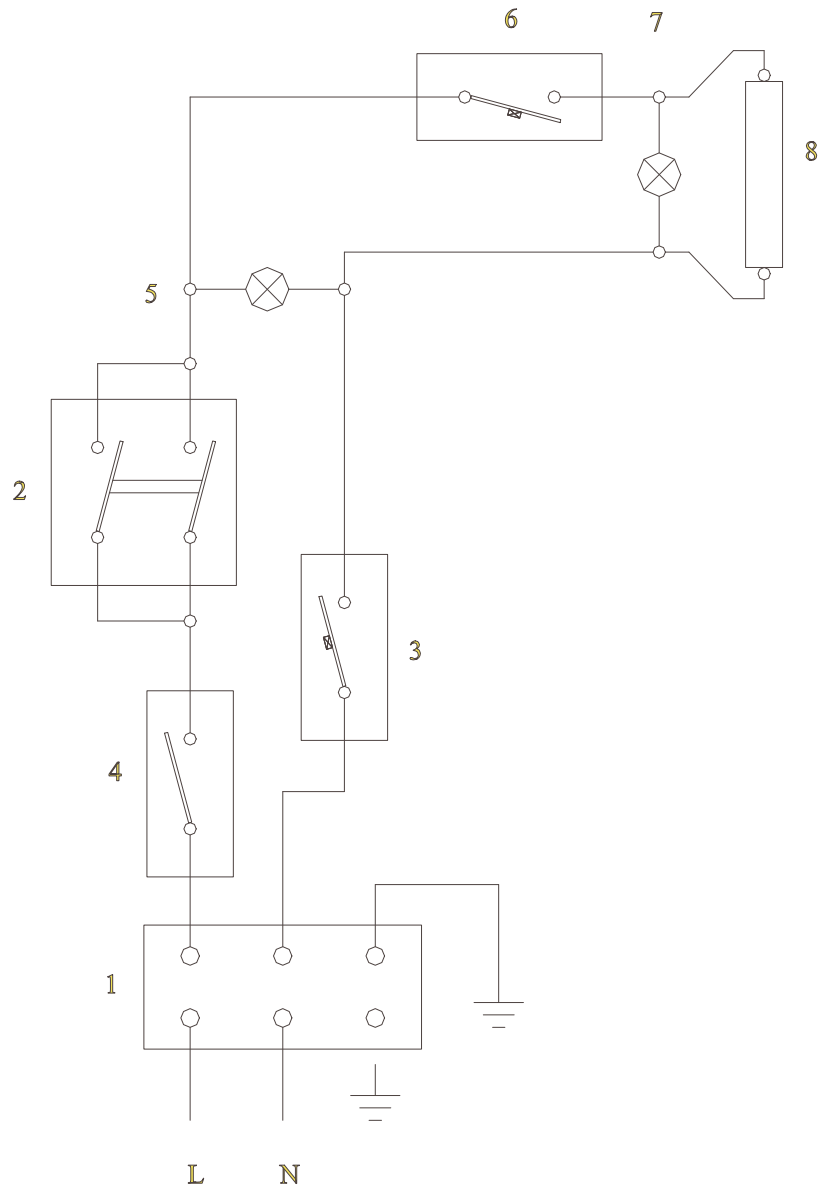
WHAT TO DO IN CASE OF BREAK-DOWN

Switch off the electric feeder and call seller's professional service.

INDICATION

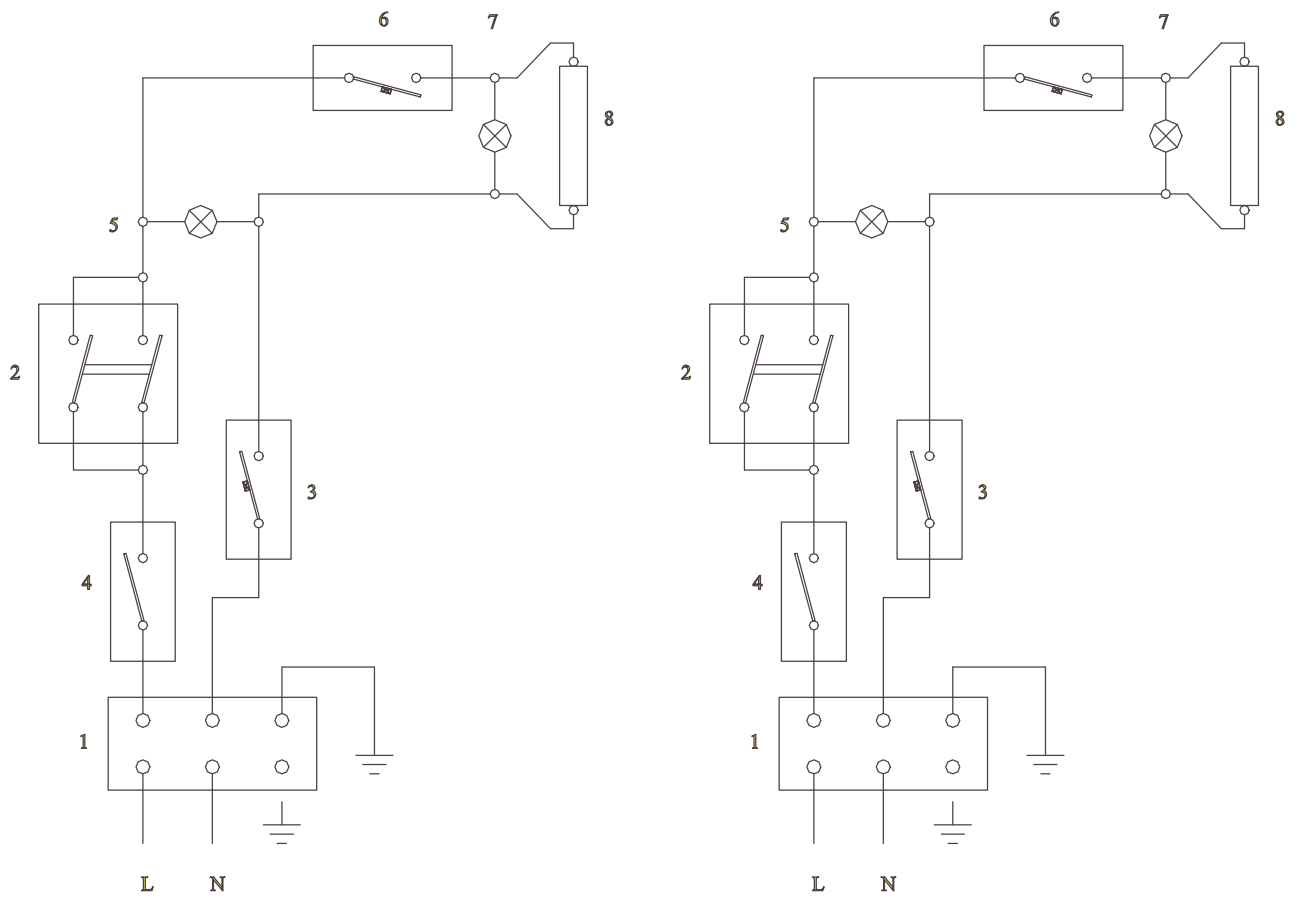
Guarantee does not cover all consumption parts succumable to common wear (rubber seals, bulbs, glass and plastic parts etc.). The guarantee does not refer to the devices which were not installed in correspondance with instructions - by qualified worker, in confirmity with standards and when somebody handled incompetently the device (interventions into inner equipment) or the device was operated by nonqualified staff or at variance with instructions for use. Guarantee does not also cover the damages caused due to influence of nature or other outer intervention.

WIRING DIAGRAM FE – 30 EL



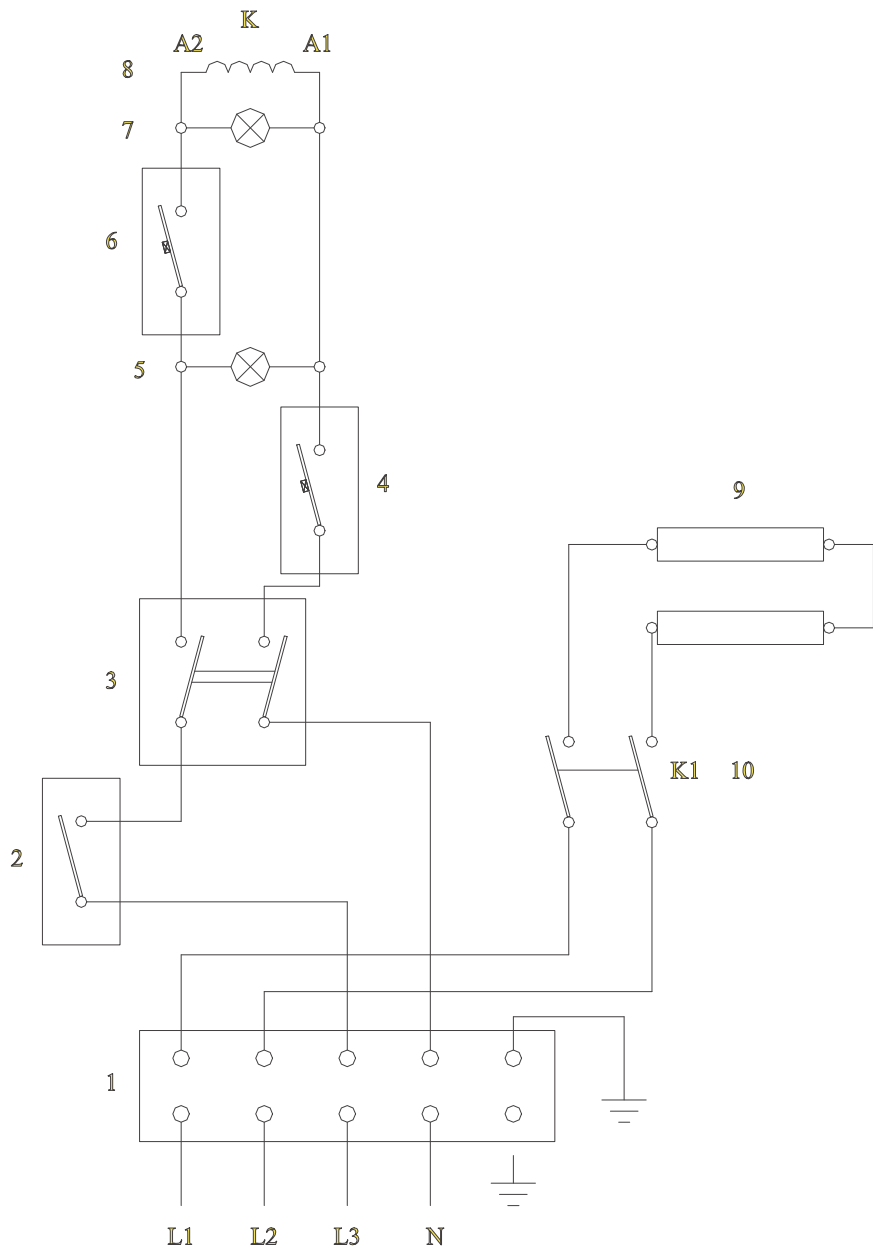
- 1 – Terminal board
- 2 – Main switch
- 3 – Safety thermostat 230 °C
- 4 – Microswitch
- 5 – Control light of warming up the basin Warming light
- 6 – Thermostat
- 7 – Control light
- 8 – Heating element

WIRING DIAGRAM FE – 60 EL



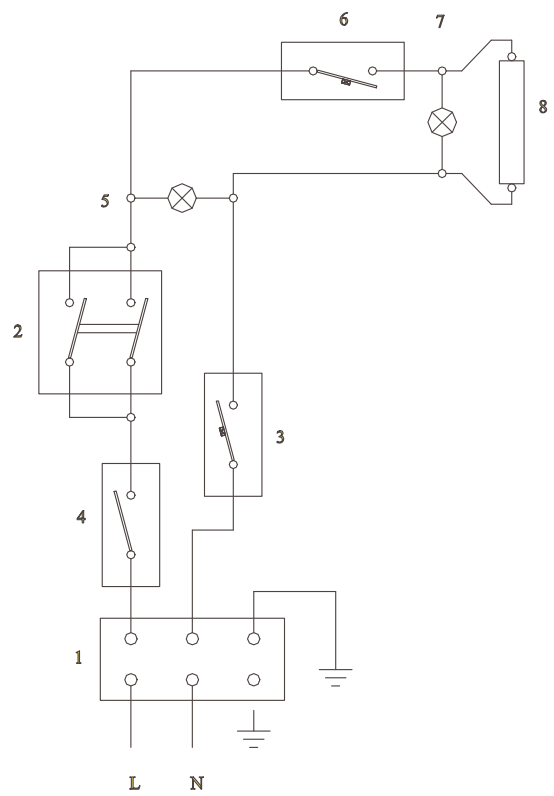
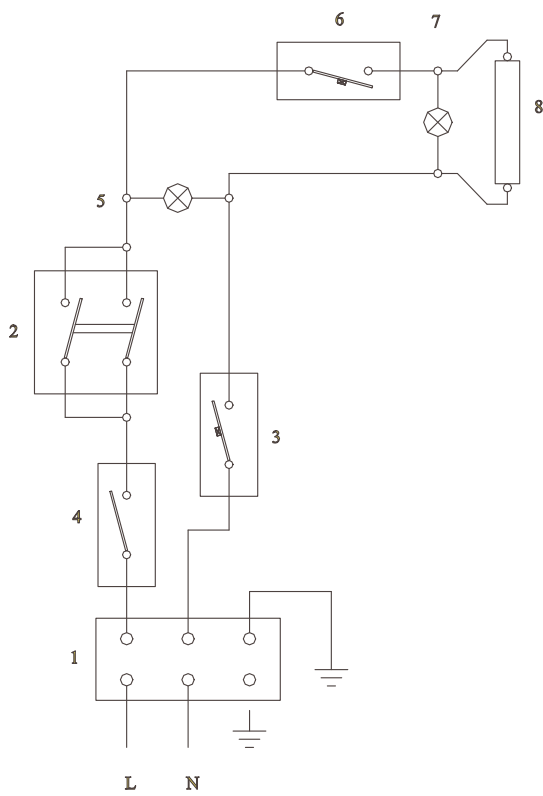
- 1 – Terminal board
- 2 – Main switch
- 3 – Safety thermostat 230 °C
- 4 – Microswitch
- 5 – Control light of warming up the basin Warming light
- 6 – Thermostat
- 7 – Control light
- 8 – Heating element

WIRING DIAGRAM FE – 30 ELT



- | | |
|------------------------------|--------------------------|
| 1 – Terminal board | 6 – Thermostat |
| 2 – Microswitch | 7 – Orange warning light |
| 3 – Main switch | 8 – Relay |
| 4 – Safety thermostat 230 °C | 9 – Heating element |
| 5 – Green warning light | 10 – Contact of relay |

WIRING DIAGRAM FE – 60 ELT



- 1 – Terminal board
- 2 – Microswitch
- 3 – Main switch
- 4 – Safety thermostat 230 °C
- 5 – Green warning light

- 6 – Thermostat
- 7 – Orange warning light
- 8 – Relay
- 9 – Heating element
- 10 – Contact of relay

O.1-1.8.2006