



**MOD : SP200T-4M**

**Production code : SFM034G002-DI**

**08/2023**



INDICATIVE PRODUCT IMAGE

### Product file

Type	Compact
Mounting	Ceiling
Code	SP200T-4M
Range	SF
Condensation	Air
Net weight	110 kg
PED	0
Defrost	Hot gas
Expansion	Capillary
Application	MBP
Refrigerant	R452A

### Dimensions

Width L	930 mm
Depth P	1110 mm
Height H	620 mm

### Absorptions

Power consumption	1646 W
Current consumption	4.4 A

### Condenser

Fan-motors no.	2
Diameter	300 mm
Air flow	2281 m <sup>3</sup> /h

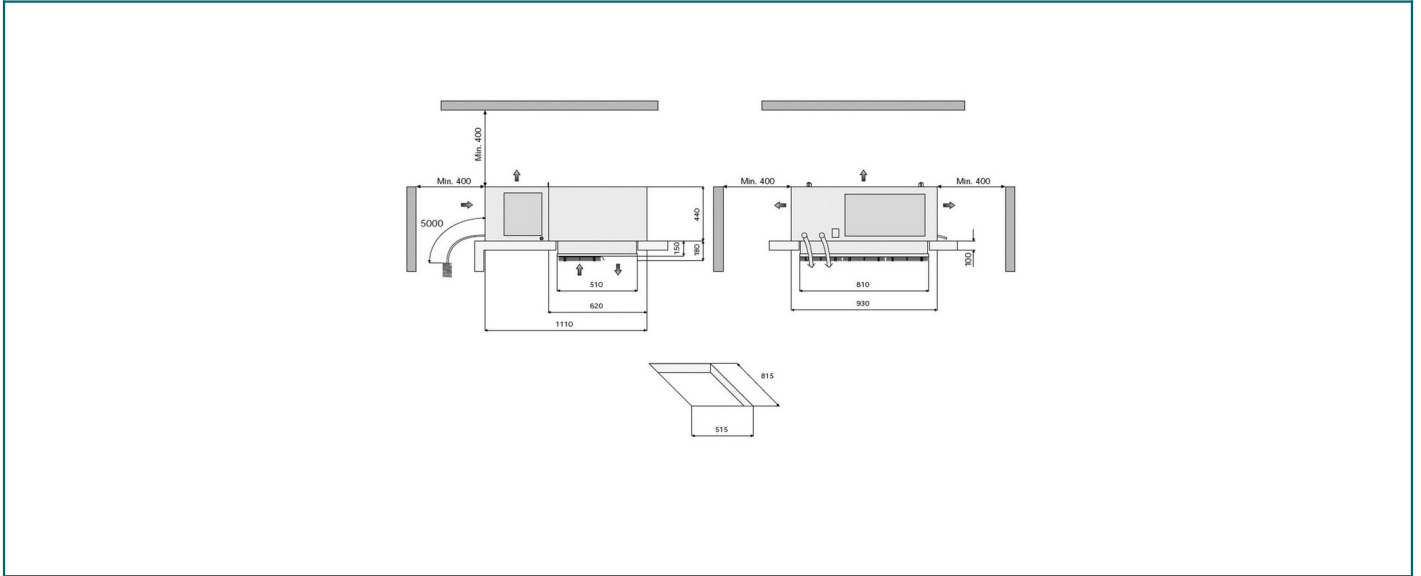
### Unit cooler

Fan-motors no.	3
Diameter	200 mm
Air flow	1390 m <sup>3</sup> /h
Air throw	4 m

### Compressor

Type	Hermetic
Compressors no.	1
Brand	EMBRACO
Voltage	400/3/50
Displacement	32.7 cm <sup>3</sup>

## Technical data - SP200T-4M

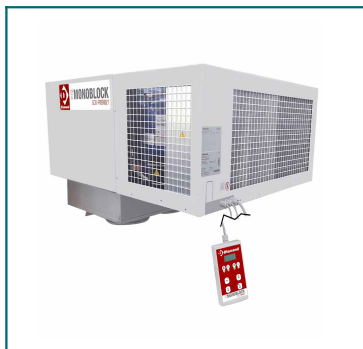


### Refrigerating capacity table (W) - SP200T-4M- Refrigerant: R452A

TA \ Cold room Temp	-5 °C	0 °C	5 °C
25 °C	2793 (25.6 m³)	3261 (32.7 m³)	3753 (49.6 m³)
32 °C	2531 (22.5 m³)	2961 (28.2 m³)	3415 (42.8 m³)
43 °C	2088 (16.2 m³)	2456 (20.5 m³)	2846 (31.4 m³)

#### Values referred to :

Suction gas : +20°C  
 Subcooling : 0K  
 Superheat : 100%  
 Compressor absorption :  
*Te -5°C (HBP); Tcond +50°C*  
*Te -10°C (MBP); Tcond +50°C*  
*Te -30°C (LBP); Tcond +50°C*



INDICATIVE PRODUCT IMAGE

#### General features

- Self-supporting casing in zinc-plated metal sheet, which is coated with epoxy powder and easily removable panels for fast access to components during inspection or maintenance operations
- Hermetic compressors with thermal motor protection
- Heat exchangers with copper and aluminium blocks
- Condenser with Ø5mm tubes with internale spiral rifling
- Condensation by air (optional by water)
- Automatic defrosting with programmable run, duration and frequency settings
- Electronic board that can be programmed according to different user requirements
- Control panel installed in a remote position
- Electronic card designed for connection in remote management (BMS) and LAN.
- High pressure switch
- Remote control panel (5m)
- Door micro switch with 2,5m long cable
- Cold room light with 2,5m long cable
- Evaporating water tray
- Door heater cable for LBP items with 2,5m long cable
- Power supply cable (L=2,5m)
- Mounting set and overflow tube
- Package included