

12/2017

Mod: **DLW11-TS/D**

Production code: **S11DDIELS8AIA**



Diamond
catering equipment

High spin washing machine LM 11 IM8

C110111X

Technical data

Capacity	11	kg
Drum diameter	535	mm
Drum depth	470	mm
Drum volume	105	l
Load diameter	282	mm
Wash speed	40	rpm
Low speed	500	rpm
High spin speed	1002	rpm
G Factor	300	
Noise	65	dB(A)
Heating leaks from the structure**	5	%

Weights and packing dimensio

Height	1180	mm
Width	760	mm
Depth	1045	mm
Volum	0,94	m ³
Gross weight	269	kg
Net weight	264	kg

Water consumpt

Total consumption	169	litri
Low level	37	litri
High level	43	litri

Electrical heating

Heating element	3x3000	W
Consumption*	4	kWh

Steam heating

Steam consumption*	6	kg
Max pressure***	4,5	bar

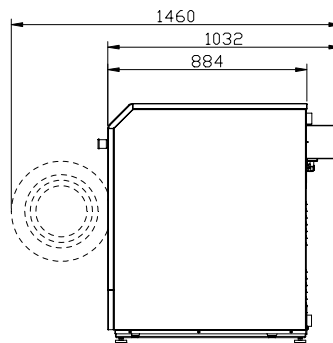
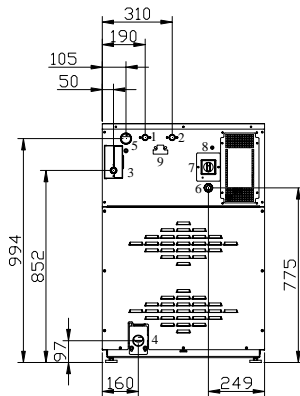
* Cycle B - ISO 9398

** Percentage on installed power

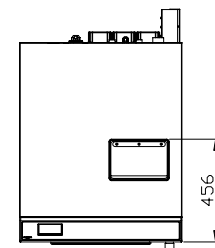
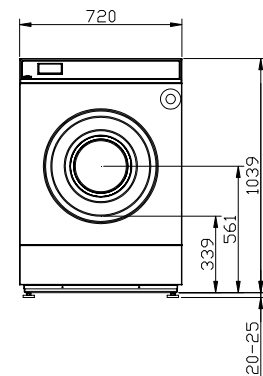
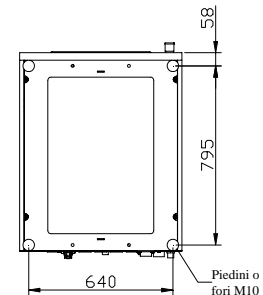
*** Optional 10 bar

Power and absorptions

Heating	Supply	Total power	Absorption
Vapore/Hot Water	1ph 230V	1,5 kW	3 A
Elettrico	3ph 400V+N	10,5 kW	16 A
Elettrico	3ph 230V	10,5 kW	25 A
Elettrico	1ph 230V	10,5 kW	42 A
Vapore/Hot Water	3ph 400V+N	- kW	- A
Vapore/Hot Water	3ph 230V	1,5 kW	3 A



DISTANCE BETWEEN FIXING



MACHINE FRONT

- 1 - Cold water inlet 3/4" - Press 0,5 ÷ 10 bar
- 2 - Hot water inlet 3/4" - Press 0,5 ÷ 10 bar
- 3 - Steam inlet 3/4"
- 4 - Drain Ø50 mm
- 5 - Bleed

- 6 - Electrical power
- 7 - Main switch
- 8 - Fuse
- 9 - External connections

DISTRIBUTOR

IMESA S.p.A.

Via Degli Olmi, 22 - 31040 CESSALTO (TV) - ITALY

Tel. +390.421.46.80.11 - Fax +390.421.46.80.00

Internet address: www.imesa.it - E-Mail: imesa@imesa.it

