

08/2013

# Mod: GASTRO

Production code: GASTRO



**Diamond**  
catering equipment



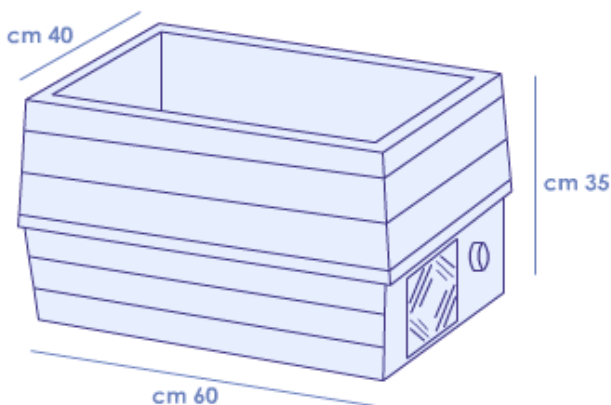
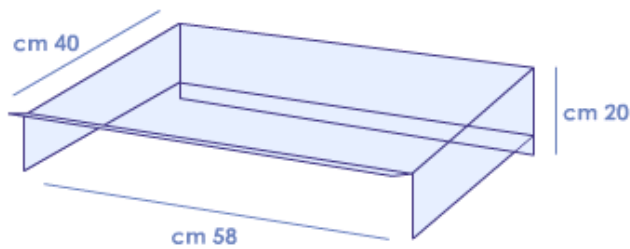
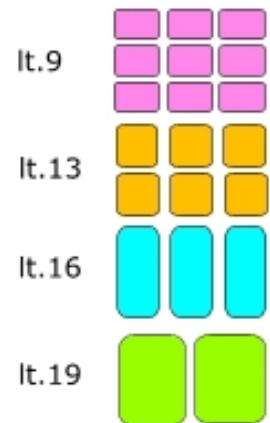
### Refrigerant counter for basins GASTRONORM EN 631

- Refrigerant ECO R 134a.
- Power supply V230-1-50 (other upon request)
- CFC free insulation
- ABS body
- Copper evaporator
- Low noise level
- Low energy consumption
- Dust filter (easy cleanable)
- Easy maintenance
- Easy cleaning
- CE Norm

### Possible



### combinations:



### Technical data:

- temperature range +2/+10°C
- dimensions: cm 60 x 40 x 35h
- weight kg: 18/25
- refrigerant gas: R 134a 0,100 kg
- power: 230V 50Hz 0,13 Kw
- electrics: FLA 0,79 A - LRA 6,0 A
- CE EN 60 335-2-24

### Optionals:

- Polycarbonate basins
- Stainless steel basins
- Transparent display cover