

06/2017

# **Mod: G65/PLCD4T**

**Production code: 65/40 FTG/CR**



**Diamond**  
catering equipment



UK

# FRY TOP

## Installation-Use-Maintenance



MOD.

\_60/30 FT...G...  
\_60/60 FT...G...  
\_60/30 FT...E...  
\_60/60 FT...E...  
\_60/30 FT...E...-D  
\_60/60 FT...E...-D

\_65/40 FT...G...  
\_65/70 FT...G...  
\_65/40 FT...E...  
\_65/70 FT...E...  
\_65/40 FT...E...-D  
\_65/70 FT...E...-D

\_70/40 FT...G...  
\_70/70 FT...G...  
\_70/40 FT...E...  
\_70/70 FT...E...

\_90/40 FT...G...  
\_90/80 FT...G...  
\_90/40 FT...E...  
\_90/80 FT...E...

Doc.n°	252.450.00
Edition	01

<b>UK - INSTALLATION – USE - MAINTENANCE .....</b>	<b>17</b>
I. GENERAL PRESCRIPTIONS .....	17
1. DISPOSAL OF PACKING AND OF THE APPLIANCE .....	17
2. SAFETY DEVICES.....	18
II. INSTRUCTIONS FOR INSTALLATION .....	18
3. REMINDERS FOR THE INSTALLER .....	18
4. REFERENCE STANDARDS AND LAWS .....	18
5. UNPACKING.....	19
6. POSITIONING.....	19
7. CONNECTIONS.....	19
8. CONVERSION TO ANOTHER TYPE OF GAS.....	20
9. COMMISSIONING .....	21
III. INSTRUCTIONS FOR USE .....	21
10. REMINDERS FOR THE USER .....	21
11. USING THE GAS FRY-TOP WITH TAP .....	22
12. GAS GRIDDLE WITH THERMOSTATIC TAP USE.....	22
13. USING THE ELECTRIC FRY-TOP.....	23
14. PROLONGED DISUSE.....	24
IV. INSTRUCTIONS FOR CLEANING .....	24
15. REMINDERS FOR CLEANING .....	24
V. INSTRUCTIONS FOR MAINTENANCE .....	25
16. REMINDERS FOR THE MAINTENANCE TECHNICIAN.....	25
17. CONVERSION TO ANOTHER TYPE OF GAS.....	25
18. COMMISSIONING .....	25
19. TROUBLESHOOTING .....	25
20. REPLACING COMPONENTS .....	26
21. CLEANING THE INTERIOR.....	27
22. MAIN COMPONENTS.....	27
VI. SCHEMI DI INSTALLAZIONE – INSTALLATIONS PLAN - INSTALLATION DIAGRAM – SCHEMA D’INSTALLATION – ESQUEMA DE INSTALACION - INSTALLATIESCHEMA'S .....	75
VII. FIGURE – ABB. – FIG. FIGURE-FIG.-IMAGE-ABB.-CIFRAS-AFBEELDINGEN.....	87
VIII. TAB1 - DATI TECNICI - TECHNICAL DATA - TECHNISCHE DATEN - CARACTERISTIQUES TECHNIQUES - DATOS TECNICOS - TECHNISCHE GEGEVENS UGELLI E REGOLAZIONI - NOZZLES AND SETTINGS - BUSES ET LES PARAMÈTRES - DUSEN UND EINSTELLUNGEN - BOQUILLAS Y LOS AJUSTES - VERSTUIVERS EN REGELINGEN .....	88
IX. TAB2 - DATI TECNICI - TECHNICAL DATA - TECHNISCHE DATEN - CARACTERISTIQUES TECHNIQUES - DATOS TECNICOS - TECHNISCHE GEGEVENS CATEGORIE E PRESSIONI - CATEGORIES AND PRESSURES - CATÉGORIES ET PRESSIONS - KATEGORIEN E DRUCK - LAS CATEGORÍAS Y LAS PRESIONES - CATEGORIEËN EN DRUK.....	90
X. TAB3 - DATI TECNICI - TECHNICAL DATA - TECHNISCHE DATEN - CARACTERISTIQUES TECHNIQUES - DATOS TECNICOS - TECHNISCHE GEGEVENS DATI TECNICI APPARECCHIATURE GAS - TECHNICAL DATA OF GAS APPLIANCES - CARACTÉRISTIQUES TECHNIQUES DES APPAREILS À GAZ - TECHNISCHE DATEN GASGERATE - DATOS TÉCNICOS DE LOS EQUIPOS DE GAS - TECHNISCHE GEGEVENS GASAPPARATUUR .....	91
XI. TAB4 - DATI TECNICI - TECHNICAL DATA - TECHNISCHE DATEN - CARACTERISTIQUES TECHNIQUES - DATOS TECNICOS- TECHNISCHE GEGEVENS DATI TECNICI APPARECCHIATURE ELETTRICHE - DATI TECNICI ATECHNICAL DATA OF ELECTRIC APPLIANCES - CARACTÉRISTIQUES TECHNIQUES DES APPAREILS ELECTRIQUES - TECHNISCHE DATEN ÉLEKTROGERATE - DATOS TÉCNICOS DE LOS EQUIPOS ELÉCTRICOS - TECHNISCHE GEGEVENS ELEKTRISCHE APPARATUUR .....	92

# UK - INSTALLATION – USE - MAINTENANCE

## I. GENERAL PRESCRIPTIONS



**READ THIS MANUAL CAREFULLY. IT PROVIDES IMPORTANT INFORMATION FOR SAFE INSTALLATION, USE AND MAINTENANCE OF THE APPLIANCE.**



**FAILURE TO COMPLY WITH WHAT IS PRESENTED BELOW MAY COMPROMISE THE SAFETY OF THE EQUIPMENT.**



**THE MANUFACTURER WILL NOT BE LIABLE FOR ANY DAMAGE OR INJURY RESULTING FROM FAILURE TO OBSERVING THE FOLLOWING RULES.**



**TRANSLATION OF THE ORIGINAL INSTRUCTIONS.**



**APPLIANCES NEED PRECAUTIONS FOR INSTALLATION, PLACING AND/OR FIXATION AND CONNECTION TO THE MAINS. SEE SECTION “INSTALLATION INSTRUCTIONS”.**



**THE APPLIANCES NEED PRECAUTIONS FOR CLEANING. SEE THE SECTION “INSTRUCTION FOR CLEANING”.**



**THE SYMBOL “ HIGH VOLTAGE” IS PLACED ON A PANEL THAT GIVES ACCESS TO A PART WITH HIGH VOLTAGE.**



**DO NOT CLEAN THE EQUIPMENT WITH DIRECTS WATER JETS, HIGH PRESSURE OR STEAM CLEANER.**

Keep this manual in a safe place, known to all users, so that it can be consulted throughout the working life of the appliance.

This equipment is designed for cooking food. It is intended for industrial use. Any other use is to be considered improper

This appliance is not intended for use by people (including children) with limited physical, sensory or mental abilities or without experience and knowledge of it.

Unless they are supervised or instructed in its use by a person responsible for their safety.

Do not leave the appliance unattended in presence of children and ensure that the latter do not have access to the appliance.

The appliance must be used by trained personnel. Do not leave the appliance unattended when operating.



**DO NOT STORE " AMMABLE MATERIALS IN CLOSE PROXIMITY TO THE APPLIANCE. FIRE HAZARD.**

The appliance must be installed in a well-ventilated room.

Inadequate ventilation causes asphyxia. Do not obstruct the ventilation system of the place where the appliance is installed. Do not obstruct the vents or ducts of this or other appliances.

In the event of an appliance fault or malfunction, shut the gas shut-off valve and/or switch the appliance off at the main switch installed upline.

Installation and conversion to a different type of gas must be carried out by qualified technicians authorized by the manufacturer, in compliance with current safety standards and the instructions in this manual.

Appliance maintenance and conversion to a different type of gas must be carried out by qualified technicians authorized by the manufacturer, in compliance with current safety standards and the instructions in this manual.

Clean the appliance following the instructions given in Chapter “ INSTRUCTIONS FOR CLEANING”.

## 1. DISPOSAL OF PACKING AND OF THE APPLIANCE

### PACKING

The packing is made using environmentally friendly materials. The plastic recyclable components are:

- the transparent cover, the bags containing the instructions manual and nozzles (made of Polyethylene - PE).
- the straps (in Polypropylene - PP).

### **APPLIANCE**

- The appliance is manufactured 90% from recyclable metals (stainless steel, aluminium sheet, copper.. ..).
- The appliance must be scrapped in compliance with current regulations governing such disposal.
- Make the appliance unusable before scrapping.
- It must be disposed of properly.



**THE SYMBOL SHOWING A CROSSED-OUT WASTE CONTAINER ON THE UNIT OR PACKAGE INDICATES THAT, AT THE END OF ITS LIFE CYCLE, THE PRODUCT MUST BE COLLECTED SEPARATE FROM OTHER WASTE.**

**THE DIFFERENTIATED COLLECTION OF THIS EQUIPMENT IS ORGANISED AND MANAGED BY THE PRODUCER.**

**THE USER WHO INTENDS TO GET RID OF THIS EQUIPMENT SHALL CONTACT THE PRODUCER AND FOLLOW THE SYSTEM THAT THE LATTER HAS USED IN ORDER TO COLLECT THE EQUIPMENT SEPARATELY AT THE END OF ITS LIFE. PROPER SEPARATE COLLECTION HELPS PREVENT POSSIBLE NEGATIVE IMPACTS ON THE ENVIRONMENT AND HEALTH, AND FAVOURS THE REUSE AND/OR RECYCLING OF THE UNIT'S MATERIALS.**

**ABUSIVE DISPOSAL OF THE PRODUCT BY THE HOLDER WILL RESULT IN THE APPLICATION OF PENALTIES AS PER CURRENT STANDARDS.**

## **2. SAFETY DEVICES**

### **ELECTRIC FRY-TOP**

#### **SAFETY THERMOSTAT**



**THE MANUFACTURER WILL NOT BE LIABLE FOR ANY DAMAGE OR INJURY RESULTING FROM FAILURE TO OBSERVING THE FOLLOWING RULES.**

- The appliance is equipped with a manual reset safety thermostat that interrupts heating when the operating temperature exceeds the maximum permitted value.
- To restore appliance operation, remove the control panel and press the thermostat reset button. This procedure must only be carried out by a qualified, authorized technician.

## **II. INSTRUCTIONS FOR INSTALLATION**

### **3. REMINDERS FOR THE INSTALLER**



**READ THIS MANUAL CAREFULLY. IT PROVIDES IMPORTANT INFORMATION FOR SAFE INSTALLATION, USE AND MAINTENANCE OF THE APPLIANCE.**



**FAILURE TO COMPLY WITH WHAT IS PRESENTED BELOW MAY COMPROMISE THE SAFETY OF THE EQUIPMENT.**



**THE MANUFACTURER WILL NOT BE LIABLE FOR ANY DAMAGE OR INJURY RESULTING FROM FAILURE TO OBSERVING THE FOLLOWING RULES.**

Identify the specific appliance model. The model number is detailed on the packing and on the appliance dataplate.

The appliance must be installed in a well-ventilated room.

Installation and conversion to a different type of gas must be carried out by qualified technicians authorized by the manufacturer, in compliance with current safety standards and the instructions in this manual.

Appliance maintenance and conversion to a different type of gas must be carried out by qualified technicians authorized by the manufacturer, in compliance with current safety standards and the instructions in this manual.

Do not obstruct any air vents or drains present on the appliance.

Do not tamper with appliance components.

### **4. REFERENCE STANDARDS AND LAWS**

- Install the appliance in accordance with the safety standards in force in the country.

## 5. UNPACKING

- Check the state of the packing and in the event of damage, ask the delivery person to inspect the goods.
- Remove the packing.
- Remove the protective film from the outer panels. Use a suitable solvent to remove any residual adhesive from the panels.

## 6. POSITIONING

The overall dimensions of the appliance and the position of connections are given on the installation diagram at the end of this manual.

The appliance can be installed singly or in combination with other appliances in the same product range.

The appliance is not suitable for integrated installation.

Position the appliance at least 10 cm from adjacent walls.

If the appliance is to be placed near walls, dividers, kitchen furniture, decorative elements etc. this must be made of non-combustible materials

Otherwise, they must be covered with suitable non-combustible heat insulating materials.

Level the appliance by means of the height-adjustable feet

### **APPLIANCE ASSEMBLY WITH BASE AND BRIDGE**

Follow the instructions provided with the type of support utilized.

### **FUMES EXHAUST SYSTEM**

Create a fumes exhaust system based on the " Type " of appliance. The " Type " is stated on the appliance dataplate.

#### **" A1 " TYPE APPLIANCE**

Position the "A1" type appliance below an extractor hood to ensure smoke and fumes generated by cooking are removed.

#### **" B21 " TYPE APPLIANCE**

Position the "B21" type appliance below an extractor hood.

#### **" B11 " TYPE APPLIANCE**

Fit the "B11" type appliance with a suitable flue, available from the appliance manufacturer. Follow the assembly instructions provided with the flue.

Connect the flue to a 150/155 mm diameter hose, heat resistant to 300°C.

Vent to the outside or into an efficient flue. The hose length must not exceed 3 metres.

## 7. CONNECTIONS

The position and dimensions of connections are given in the installation diagram at the end of this manual.

### **CONNECTION TO THE GAS SUPPLY**

- Check that the appliance is designed to operate with the type of gas supply present on site. Check the information given on the decals on the packing and appliance.
- Convert the appliance to the local gas type, if necessary. Follow the instructions at the next paragraph "Conversion to a different type of gas".
- On top appliances a rear connection is also available. Remove the plug present and screw it tightly onto the front connector.
- A rapid-action gas shut-off valve must be fitted upstream of the appliance in an easily accessible position.
- Do not use connection pipes having a diameter smaller than that of the appliance's gas connector.
- Once the appliance has been installed, check for gas leaks at the connection points.

### **ELECTRICAL CONNECTIONS**

Check if the appliance is designed to operate at the voltage and frequency of the power supply present on site. Check the details given on the appliance dataplate and plaque near the terminal board.

Install upstream of the equipment in an easily accessible place, an all-pole disconnecting device with a contact gap of allowing full disconnection under the conditions of overvoltage category III.

A flexible rubber cable with insulation specifications not lower than type H05 RN-F must be used for connection.

Connect the power supply cable to the terminal board as shown in the wiring diagram supplied with the appliance.

Secure the power supply cable with the cable

clamp.

Protect the power supply cable on the outside of the appliance with a rigid plastic or metal pipe.

If the power supply cable is damaged, it must be replaced by the manufacturer or his service centre or by a person with similar qualifications to prevent any risk.



**THE SYMBOL " HIGH VOLTAGE" IS PLACED ON A PANEL THAT GIVES ACCESS TO A PART WITH HIGH VOLTAGE.**

### **PROTECTIVE EARTH AND EARTH BONDING CONNECTIONS**

Connect the appliance to an efficient ground circuit. Connect the earth conductor to the terminal with the symbol ⊕ next to the main terminal board.

Connect the metal structure of the appliance to the equipotential node. Connect the conductor to the terminal with the symbol ▼ on the outside part of the bottom.

### **CONNECTION TO THE WATER SUPPLY**

- The appliance must be connected to a potable water supply. The water inlet pressure must be between 150 kPa and 300 kPa. Use a pressure reducer if the inlet pressure is above the maximum permitted level.
- Install a mechanical filter and a shut-off valve upstream of the appliance in an easily accessible point.
- Make sure the water circuit is free of ferrous particles before connecting the filter and the appliance.
- Seal any unused connectors with a plug.
- Once the appliance has been installed, check for gas leaks at the connection points.

### **CONNECTION TO THE WATER DRAIN**

The water drainage system must be made using materials resistant to temperatures of 100 °C. The bottom of the appliance must not be subjected to steam produced by drainage of hot water.

Install a siphoned floor drain with grating below the water drain cock of Boiling pans and in front of Bratt pans.



## **8. CONVERSION TO ANOTHER TYPE OF GAS**

Table Tab1 specifies:

- which gas can be used for the appliance.
- the nozzles and settings for each gas that can be used.
- For nozzles, the number indicated in table TAB1 is also stamped on the body of nozzles.

To convert the appliance to the local gas type, follow the instructions given in TAB1 and carry out the steps below:

- Replace the main burner nozzle (UM).
- Adjust the main burner's air regulator to distance A.
- Replace the pilot burner nozzle (UP).
- Adjust the pilot burner air flow (if necessary).
- Replace the gas valve minimum nozzle (Um).
- Affix the adhesive tab indicating the new type of gas used.
- The nozzles and adhesive tabs are supplied with the appliance.

### **GAS FRY-TOP WITH TAP**

#### **REPLACING THE NOZZLE AND THE MAIN BURNER PRIMARY AIR REGULATION**

- Remove the control panel.
- Remove nozzle UM and replace it with the one indicated in table TAB1.
- Retighten nozzle UM.
- Slacken screw V and position the air regulator at distance A as indicated in table TAB1.
- Retighten screw V fully.
- Reassemble all parts. For assembly, proceed in reverse order.

#### **REPLACING THE MINIMUM ADJUSTMENT SCREW**

- Remove the control panel.
- Remove nozzle UM and replace it with the one indicated in table TAB1.
- Retighten nozzle UM.
- Reassemble all parts. For assembly, proceed in reverse order.

#### **REPLACING THE PILOT BURNER NOZZLE**

- Remove the control panel.
- Undo connector R.
- Remove nozzle UP and replace it with the one indicated in table TAB1.

- Retighten connector R. Reassemble all parts.
- Following, in reverse order, the sequence used for their removal.

### **GAS GRIDDLE WITH THERMOSTATIC TAP**

#### **REPLACING THE NOZZLE AND THE MAIN BURNER PRIMARY AIR REGULATION**

- Remove the control panel.
- Remove nozzle UM and replace it with the one indicated in table TAB1.
- Retighten nozzle UM.
- Slacken screw V and position the air regulator at distance A as indicated in table TAB1.
- Retighten screw V fully.
- Reassemble all parts. For assembly, proceed in reverse order.

#### **REPLACING THE PILOT BURNER NOZZLE**

- Remove the control panel.
- Undo connector R.
- Remove nozzle UP and replace it with the one indicated in table TAB1.
- Retighten connector R. Reassemble all parts.
- Following, in reverse order, the sequence used for their removal.

## **9. COMMISSIONING**

Following installation, conversion to a different type of gas or any maintenance operations, check appliance operation. In the event of any malfunction, consult the next Paragraph " Troubleshooting " .

### **GAS APPLIANCES**

Switch on the appliance as directed in the instructions and reminders for use given in Chapter " INSTRUCTIONS FOR USE " and check:

- the gas supply pressure (see next Paragraph).
- the correct ignition of the burners and the effectiveness of the fumes removal system.

#### **CHECKING THE GAS SUPPLY PRESSURE**

- To measure the gas supply pressure use a manometer with a minimum definition of 0,1 mbar.
- Remove the control panel.

- Remove the screw from on pressure test point PP and connect the manometer to the test point.
- Make the measurement with the appliance in operation.



**IMPORTANT! IF THE GAS SUPPLY PRESSURE IS NOT WITHIN THE LIMITS (MIN. - MAX) INDICATED IN TABLE TAB2, CEASE OPERATION OF THE APPLIANCE AND CONTACT THE GAS UTILITY COMPANY.**

- Disconnect the manometer and retighten the retaining screw on the pressure connection.

### **ELECTRIC EQUIPMENT**

Switch on the appliance as directed in the instructions and reminders for use given in Chapter " INSTRUCTIONS FOR USE " and check:

- the current values of each phase.
- the correct operation of the heating elements.

## **III. INSTRUCTIONS FOR USE**

### **10. REMINDERS FOR THE USER**



**READ THIS MANUAL CAREFULLY. IT PROVIDES IMPORTANT INFORMATION FOR SAFE INSTALLATION, USE AND MAINTENANCE OF THE APPLIANCE.**



**THE MANUFACTURER WILL NOT BE LIABLE FOR ANY DAMAGE OR INJURY RESULTING FROM FAILURE TO OBSERVING THE FOLLOWING RULES.**

For after-sales service, contact technical assistance centres authorized by the manufacturer and demand the use of original spare parts.

Have the appliance serviced at least twice a year. The manufacturer recommends taking out a service contract.

The appliance is designed for professional use and must be operated by trained personnel.

The appliance is to be used for cooking food as specified in the prescriptions for use. Any other use is considered to be improper.

Do not allow the appliance to operate empty for prolonged periods. Only pre-heat the oven just before use.

Do not leave the appliance unattended while in operation.



In the event of an appliance fault or malfunction, shut the gas shut-off valve and/or switch the appliance off at the main switch installed upline.

Clean the appliance following the instructions given in Chapter " INSTRUCTIONS FOR CLEANING".



**DO NOT STORE " AMMABLE MATERIALS IN CLOSE PROXIMITY TO THE APPLIANCE. FIRE HAZARD.**

Do not obstruct any air vents or drains present on the appliance.

Do not tamper with appliance components.

Keep this manual in a safe place, known to all users, so that it can be consulted throughout the working life of the appliance.

Installation and appliance maintenance must be carried out by qualified technicians authorized by the manufacturer, in compliance with current safety standards and the instructions in this manual.

Appliance maintenance and conversion to a different type of gas must be carried out by qualified technicians authorized by the manufacturer, in compliance with current safety standards and the instructions in this manual.

## 11. USING THE GAS FRY-TOP WITH TAP

The appliance is deisgned for cooking foods directly on the hotplate (steaks, hanburgers, fish, vegetables, etc. ).

The hotplate must not be to heat pans or saucepans.

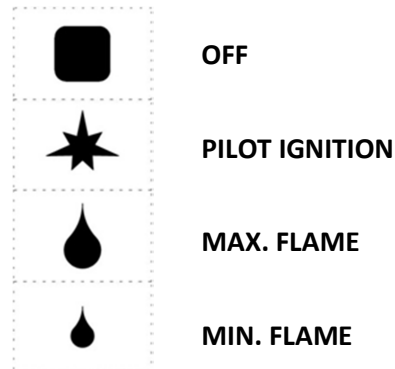
Empty the grease collection tray several times a day.



**EXERCISE GREAT CAUTION WHEN REMOVING THE TRAY. DANGER OF SCALDING FROM HOT OIL.**

## BURNER IGNITION AND EXTINCTION

The gas tap control knob has the following positions:



### PILOT IGNITION

- Press and turn knob to "pilot on".
- Press the knob down fully and light the pilot using the piezoelectric igniter.
- Hold the knob down for about 20 seconds before releasing it. If the pilot flame goes out, repeat the operation.
- The pilot flame can be seen through the peep hole, visible when the grease collection tray is removed.
- The pilot burner can be lit with a flame; for access, remove the grease vollection tray.

### MAIN BURNER IGNITION

- To light the main burner, turn the knob from "pilot on" to "max. flame".
- Next, depending on cooking requirements, turn the knob to any position between " max. flame " and " min. flame " .

### TURNING OFF

- To switch the main burner off, turn the knob to position " pilot on " .
- To switch off the pilot flame, press and turn the knob to position " Off " .

## 12. GAS GRIDDLE WITH THERMOSTATIC TAP USE

The appliance is deisgned for cooking foods directly on the hotplate (steaks, hanburgers, fish, vegetables, etc. ).

The hotplate must not be to heat pans or

saucepans.

Take particular care when using the chromed fry-top. Always clean the cooking surface and remove any food residues immediately after cooking.

While cooking, handle food only with the special scraper for the smooth fry-top or the toothed scraper for the ribbed fry-top.

The appliance is equipped with a manual reset safety thermostat that interrupts heating when the operating temperature exceeds the maximum permitted value.

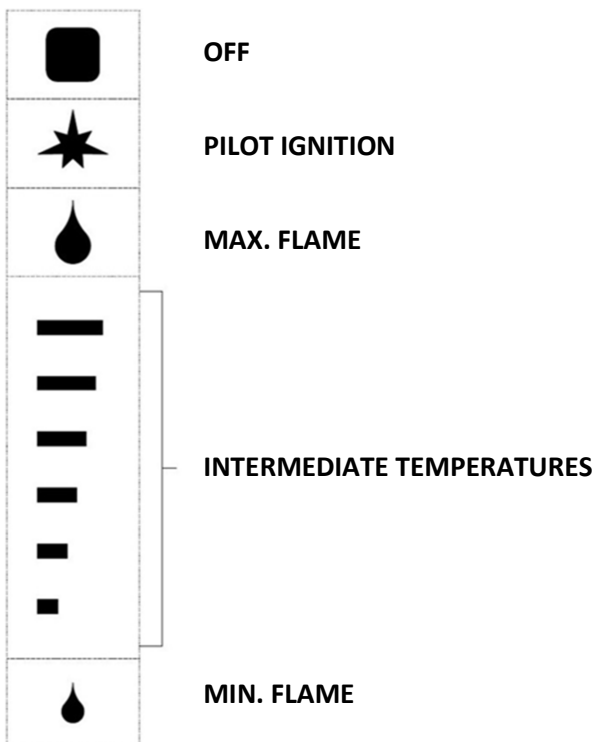
Empty the grease collection tray several times a day.



**EXERCISE GREAT CAUTION WHEN REMOVING THE TRAY. DANGER OF SCALDING FROM HOT OIL.**

### **BURNER IGNITION AND EXTINCTION**

the control knob of the thermostatic tap has the following positions use:



### **PILOT IGNITION**

- Turn the knob to position " pilot on " .
- Press the knob down fully and light the pilot using the piezoelectric igniter.
- Hold the knob down for about 20 seconds before releasing it. If the pilot flame goes out, repeat the operation.

- The pilot flame can be seen through the peep hole, visible when the grease collection tray is removed.
- The pilot burner can be lit with a flame; for access, remove the grease collection tray.

### **MAIN BURNER IGNITION**

- Turn the knob to the chosen temperature setting for cooking.

### **TURNING OFF**

- To switch the main burner off, turn the knob to position " pilot on " .
- To switch off the pilot flame, press and turn the knob to position " Off " .

## **13. USING THE ELECTRIC FRY-TOP**

The appliance is designed for cooking foods directly on the hotplate (steaks, hamburgers, fish, vegetables, etc. ).

The hotplate must not be to heat pans or saucepans.

Take particular care when using the chromed fry-top. Always clean the cooking surface and remove any food residues immediately after cooking.

While cooking, handle food only with the special scraper for the smooth fry-top or the toothed scraper for the ribbed fry-top.

The appliance is equipped with a manual reset safety thermostat that interrupts heating when the operating temperature exceeds the maximum permitted value.

Empty the grease collection tray several times a day.



**EXERCISE GREAT CAUTION WHEN REMOVING THE TRAY. DANGER OF SCALDING FROM HOT OIL.**

### **SWITCHING ON AND OFF**

The thermostat control knob has the following positions:

0	OFF
50	MINIMUM TEMPERATURE
100	INTERMEDIATE TEMPERATURES
150	
200	
250	
300	MAXIMUM WATER TEMPERATURE

#### SWITCHING ON

- Turn the thermostat knob to the chosen temperature setting for cooking.
- the yellow and the green indicator lamp turn on.
- 
- The yellow indicator light switches off when the oven reaches the set temperature.

#### TURNING OFF

- Turn the thermostat knob to position " 0 " .
- the yellow and the green indicator lamp turn off.

### 14. PROLONGED DISUSE

Before any prolonged disuse of the appliance, proceed as follows:

- Clean the appliance thoroughly.
- Rub stainless steel surfaces with a cloth soaked in vaseline oil to create a protective film.
- Close cocks or main switches ahead of the appliances.

Following prolonged disuse, proceed as follows:

- Inspect the appliance thoroughly before using it again.
- Allow electric appliances to operate at the lowest temperature for at least 60 minutes.

## IV. INSTRUCTIONS FOR CLEANING

### 15. REMINDERS FOR CLEANING



**READ THIS MANUAL CAREFULLY. IT PROVIDES IMPORTANT INFORMATION FOR SAFE INSTALLATION, USE AND MAINTENANCE OF THE APPLIANCE.**



**THE MANUFACTURER WILL NOT BE LIABLE FOR ANY DAMAGE OR INJURY RESULTING FROM FAILURE TO OBSERVING THE FOLLOWING RULES.**



**DISCONNECT THE APPLIANCE ELECTRIC SUPPLY, IF PRESENT, BEFORE CARRYING OUT ANY OPERATION.**

- Clean the satin finish stainless steel exterior surfaces, the cooking wells and the surface of the hotplates every day.
- At least twice a year, have an authorized technician clean the internal parts of the appliance.
- Do not use corrosive products to clean the floor beneath the appliance.
- Do not use direct or high pressure water jets to clean the appliance.

#### SATIN FINISH STAINLESS STEEL SURFACES

- Clean the surfaces with a cloth or sponge using water and proprietary non-abrasive detergents. Follow the direction of the satin finish lines. Rinse repeatedly and dry thoroughly.
- Do not use pan scourers or other iron items.
- Do not use chemical products containing chlorine.
- Do not use sharp objects which might scratch and damage the surfaces.

#### HOTPLATE IN DUCTILE IRON

- Clean surfaces with a damp cloth.
- Switch on for a few minutes to dry rapidly.
- Lubricate surfaces with a fine coat of food grade oil.
- Do not use pan scourers or abrasive powder detergents.

- Do not use chemical products containing chlorine.
- Do not use sharp objects which might scratch and damage the surfaces.

### **CHROMED HOTPLATE**

- Clean the cooking surface while it is still moderately hot (approx. 80-100 °C). Use a cloth or sponge soaked in water and vinegar. Rinse repeatedly and dry thoroughly.
- Do not use pan scourers or abrasive powder detergents.
- Do not use chemical products containing chlorine.
- Do not use sharp objects which might scratch and damage the surfaces.

### **COLLECTION TRAYS**

- Clean the surface, removing grease, oil, food residue etc.. .

## **V. INSTRUCTIONS FOR MAINTENANCE**

### **16. REMINDERS FOR THE MAINTENANCE TECHNICIAN**



**THE MANUFACTURER WILL NOT BE LIABLE FOR ANY DAMAGE OR INJURY RESULTING FROM FAILURE TO OBSERVING THE FOLLOWING RULES.**

Identify the specific appliance model. The model number is detailed on the packing and on the appliance dataplate.

The appliance must be installed in a well-ventilated room.

Do not obstruct any air vents or drains present on the appliance.

Do not tamper with appliance components.

Appliance maintenance and conversion to a different type of gas must be carried out by qualified technicians authorized by the manufacturer, in compliance with current safety standards and the instructions in this manual.

### **17. CONVERSION TO ANOTHER TYPE OF GAS**

See Chapter “ Instructions for installation “.

## **18. COMMISSIONING**

See Chapter “ Instructions for installation “.

## **19. TROUBLESHOOTING**

### **GAS FRY-TOP WITH TAP**

#### **THE PILOT BURNER DOES NOT LIGHT.**

##### Possible causes:

- Insufficient gas supply pressure.
- Blocked tubing or nozzle.
- Defective gas tap or valve.
- Igniter defective or not properly connected.
- Igniter or igniter wire defective.

#### **PILOT BURNER GOES OUT DURING USE.**

##### Possible causes:

- Insufficient gas supply pressure.
- Defective gas tap or valve.
- Defective thermocouple or insufficient heating.
- Thermocouple incorrectly connected to gas tap or valve.
- Knob of gas tap or valve not pressed sufficiently.

#### **THE MAIN BURNER DOES NOT LIGHT (EVEN THOUGH PILOT IS LIT).**

##### Possible causes:

- Insufficient gas supply pressure.
- Blocked tubing or nozzle.
- Defective gas tap or valve.
- Defective burner (gas outlet holes clogged).

#### **HEATING CANNOT BE ADJUSTED.**

##### Possible causes:

- Defective gas valve.

### **GAS GRIDDLE WITH THERMOSTATIC TAP**

#### **THE PILOT BURNER DOES NOT LIGHT.**

##### Possible causes:

- Insufficient gas supply pressure.
- Blocked tubing or nozzle.

- Defective gas tap or valve.
- Igniter defective or not properly connected.
- Igniter or igniter wire defective.

**PILOT BURNER GOES OUT DURING USE.**

Possible causes:

- Insufficient gas supply pressure.
- Defective gas tap or valve.
- Defective thermocouple or insufficient heating.
- Thermocouple incorrectly connected to gas tap or valve.
- Knob of gas tap or valve not pressed sufficiently.

**THE MAIN BURNER DOES NOT LIGHT (EVEN THOUGH PILOT IS LIT).**

Possible causes:

- Insufficient gas supply pressure.
- Blocked tubing or nozzle.
- Defective gas tap or valve.
- Defective burner (gas outlet holes clogged).

**HEATING CANNOT BE ADJUSTED.**

Possible causes:

- Defective gas valve.

**ELECTRIC FRY-TOP**

**THE APPLIANCE DOES NOT HEAT.**

Possible causes:

- Temperature thermostat defective.
- Heating elements defective.
- Safety thermostat tripped.

**HEATING CANNOT BE ADJUSTED.**

Possible causes:

- Temperature thermostat defective.

**20. REPLACING COMPONENTS**

**REMINDERS FOR REPLACING COMPONENTS**



**SHUT THE GAS SHUT-OFF VALVE AND/OR SWITCH THE APPLIANCE OFF AT THE MAIN SWITCH INSTALLED UPSTREAM.**



**AFTER REPLACING A GAS SYSTEM COMPONENT, CHECK FOR GAS LEAKS AT CONNECTION POINTS.**



**DISCONNECT THE APPLIANCE ELECTRIC SUPPLY, IF PRESENT, BEFORE CARRYING OUT ANY OPERATION.**



**AFTER REPLACING AN ELECTRICAL SYSTEM COMPONENT, CHECK IT IS CORRECTLY WIRED.**

**GAS FRY-TOP WITH TAP**

**REPLACING THE GAS TAP.**

- Remove the control panel.
- Remove and replace the component.
- Reassemble all parts. For assembly, proceed in reverse order.

**REPLACING THE BURNER, THE PILOT BURNER, THE THERMOCOUPLE, THE PIEZOELECTRIC IGNITION AND THE IGNITER**

- Remove the control panel.
- Remove and replace the component.
- Reassemble all parts. For assembly, proceed in reverse order.

**GAS GRIDDLE WITH THERMOSTATIC TAP**

**THERMOSTATIC TAP SUBSTITUTION**

- Remove the control panel.
- Remove the bulb from its seat on the bottom of the hotplate.
- Remove and replace the component.
- Insert the bulb properly in its seat on the bottom of the hotplate.
- Reassemble all parts. For assembly, proceed in reverse order.

**REPLACING THE BURNER, THE PILOT BURNER, THE THERMOCOUPLE, THE PIEZOELECTRIC IGNITION AND THE IGNITER**

- Remove the control panel.
- Remove and replace the component.
- Reassemble all parts. For assembly, proceed in reverse order.

**ELECTRIC FRY-TOP**

**REPLACING THE HEATING AND LIGHT GLOWS.**

- Remove the control panel.
- Remove and replace the component.
- Reassemble all parts. For assembly, proceed in reverse order.

**REPLACING THE WORKING THERMOSTAT AND SAFETY THERMOSTAT**

- Remove the control panel.
- Remove the bulb from its seat on the bottom of the hotplate.
- Remove and replace the component.
- Insert the bulb properly in its seat on the bottom of the hotplate.
- Reassemble all parts. For assembly, proceed in reverse order.

## 21. CLEANING THE INTERIOR

Check the condition of the inside of the appliance.

Remove any built-up dirt.  
Check and clean the fumes exhaust system.

## 22. MAIN COMPONENTS

**GAS FRY-TOP WITH TAP**

- GAS COCK
- MAIN BURNER
- Pilot burner
- Thermocouple
- Igniter
- Piezoelectric ignition

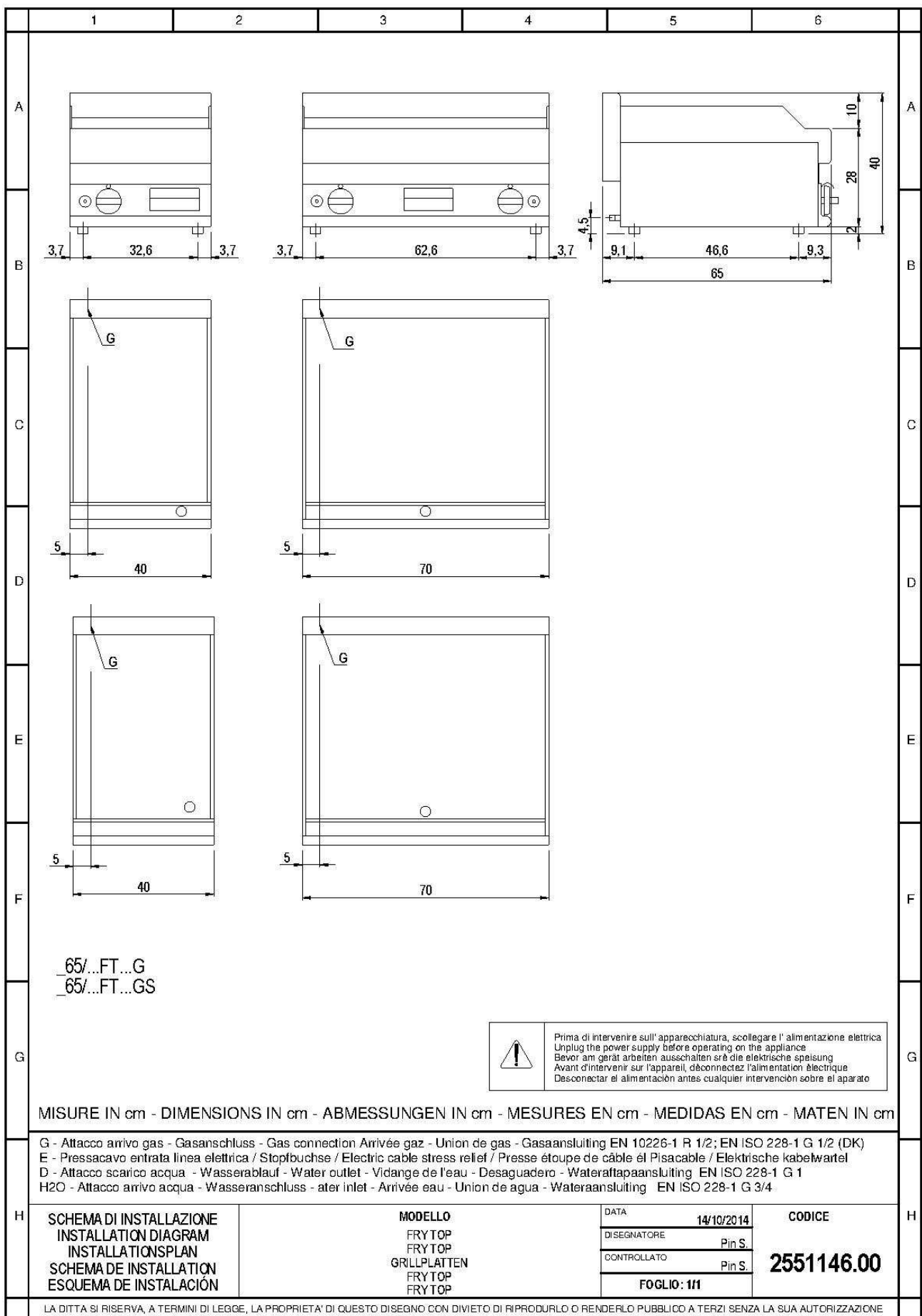
**GAS GRIDDLE WITH THERMOSTATIC TAP**

- Thermostatic tap
- MAIN BURNER
- Pilot burner
- Thermocouple
- Piezoelectric ignition
- Igniter

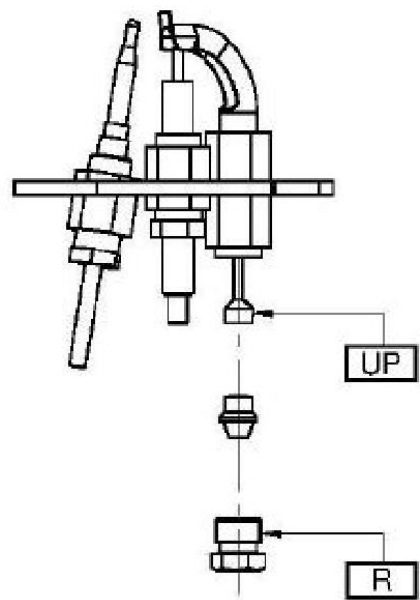
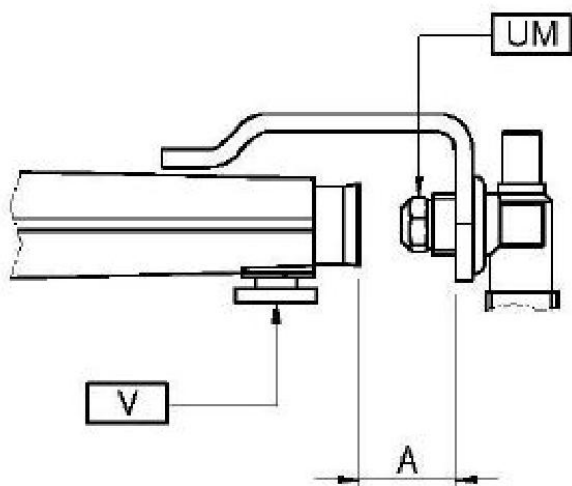
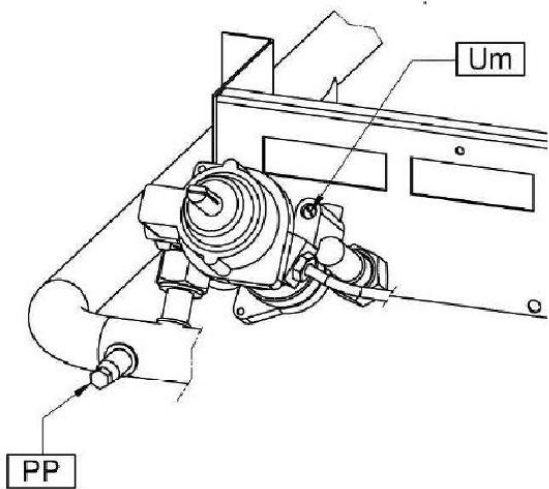
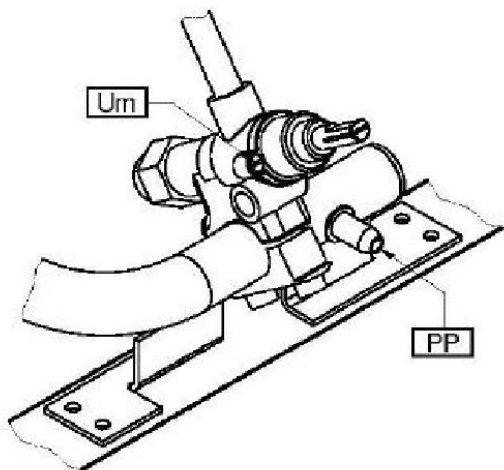
**ELECTRIC FRY-TOP**

- Working thermostat
- Safety thermostat
- Heating element
- Indicator light

**VI. SCHEMI DI INSTALLAZIONE – INSTALLATIONS PLAN - INSTALLATION DIAGRAM – SCHEMA D'INSTALLATION – ESQUEMA DE INSTALACION - INSTALLATIESCHEMA'S**



VII. FIGURE – ABB. – FIG. FIGURE-FIG.-IMAGE-ABB.-CIFRAS-AFBEELDINGEN





VIII. **TAB1 - DATI TECNICI - TECHNICAL DATA - TECHNISCHE DATEN - CARACTERISTIQUES TECHNIQUES - DATOS TECNICOS - TECHNISCHE GEGEVENS Ugelli e regolazioni - Nozzles and settings - Buses et les paramètres - Dusen und Einstellungen - Boquillas y los ajustes - Verstuivers en regelingen**

TAB1						
Gas Gaz	Pa (mbar)	UM UP A Um	_60/30 FT..G	_60/30 FT..G-CR	_65/.. FT..G...	_65/.. FT..G-CR
			_60/60 FT..G	_60/60 FT..G-CR	_70/.. FT..G...	_70/.. FT..G-CR
G20 G20/G25	20 20/25	UM	165	165	185	185
		UP	36	36	36	36
		A (mm)	25	25	24	24
		Um	REG	REG	REG	REG
G25	20	UM	185	185	200	200
		UP	36	36	36	36
		A (mm)	25	25	24	24
		Um	REG	REG	REG	REG
G25	25	UM	175	175	185	185
		UP	36	36	36	36
		A (mm)	25	25	24	24
		Um	REG	REG	REG	REG
G20	25	UM	-	-	-	-
		UP	-	-	-	-
		A (mm)	-	-	-	-
		Um	-	-	-	-
G25.1	25	UM	-	-	-	-
		UP	-	-	-	-
		A (mm)	-	-	-	-
		Um	-	-	-	-
G30/G31	28-30/37 28-30	UM	120	120	120	120
		UP	19	19	19	19
		A (mm)	12	12	12	12
		Um	70	70	70	70
G30/G31	37	UM	-	-	-	-
		UP	-	-	-	-
		A (mm)	-	-	-	-
		Um	-	-	-	-
G30/G31	50	UM	105	105	110	110
		UP	19	19	19	19
		A (mm)	12	12	12	12
		Um	70	70	70	70
G110	8	UM	-	-	380	380
		UP	-	-	30	30
		A (mm)	-	-	OPEN	OPEN
		Um	-	-	REG	REG
G120	8	UM	-	-	-	-
		UP	-	-	-	-
		A (mm)	-	-	-	-
		Um	-	-	-	-

**Pa** : Pressione di allacciamento - Anschlussdruck - Supply pressure - Pression de raccordement - Presión de conexión - Aansluitdruk  
**UM** : Ugello MAX - Duse MAX - MAX nozzle - Buse MAX - Boquilla MAX. - Sproeier MAX  
**Um** : Ugello MIN - Duse MIN - MIN nozzle - Buse MIN - Boquilla MIN - Sproeier MIN  
**UP** : Pilota - Zündbrenner - Pilot - Veilleuse gaz - Piloto - Waakvlam  
**A** : Apertura Aereatore - Öffnen Luftring - Aerator Opening - Ouverture Aérateur - Abertura del aireador - Opening beluchter

**TAB1**

Gas Gaz	Pa (mbar)	UM UP A	_90/40 FT..G
			_90/80 FT..G
G20 G20/G25	20 20/25	UM	200L
		UP	36
		A (mm)	0,5
		Um	REG
G25	20	UM	215L
		UP	36
		A (mm)	0,5
		Um	REG
G25	25	UM	200L
		UP	36
		A (mm)	0,5
		Um	REG
G20	25	UM	
		UP	
		A (mm)	
		Um	
G25.1	25	UM	
		UP	
		A (mm)	
		Um	
G30/G31	28-30/37 28-30	UM	135L
		UP	19
		A (mm)	-
		Um	100
G30/G31	37	UM	
		UP	
		A (mm)	
		Um	
G30/G31	50	UM	120L
		UP	19
		A (mm)	-
		Um	100
G110	8	UM	
		UP	
		A (mm)	
		Um	
G120	8	UM	
		UP	
		A (mm)	
		Um	

**Pa** : Pressione di allacciamento - Anschlussdruck - Supply pressure - Pression de raccordement - Presión de conexión - Aansluitdruk

**UM** : Ugello MAX - Duse MAX - MAX nozzle - Buse MAX - Boquilla MAX. - Sproeier MAX

**Um** : Ugello MIN - Duse MIN - MIN nozzle - Buse MIN - Boquilla MIN - Sproeier MIN

**UP** : Pilota - Zündbrenner - Pilot - Veilleuse gaz - Piloto - Waakvlam

**A** : Apertura Aereatore - Öffnen Luftring - Aerator Opening - Ouverture Aérateur - Abertura del aireador - Opening beluchter

**REG** : Regolato - Eingestellt - Regulated - Règle - Regulado - Geregeld

**IX. TAB2 - DATI TECNICI - TECHNICAL DATA - TECHNISCHE DATEN - CARACTERISTIQUES TECHNIQUES - DATOS TECNICOS - TECHNISCHE GEVEGENS Categorie e pressioni - Categories and pressures - Catégories et pressions - Kategorien e Druck - Las categorías y las presiones - Categorieën en druk**

Paese Land Country Pays Pais	Categoria Kategorie Category Catégorie Categoria Categorie	Gas-Gaz	Pressione di allacciamento Anschlussdruck Supply pressure Pression de raccordment Pression de connexion Aansluitdruk (mbar)		
			Nom. Neen. Norm. Normal	Min.	Max
PL	I2E	G20	20	17	25
LU CY	I3+	G30/G31	28-30/37	20/25	35/45
NO CY MT IS HU	I3B/P	G30/G31	28-30	25	35
PL	I3B/P	G30/G31	37	25	45
BE FR	II2E+3+	G20/G25	20/25	17/20	25/30
		G30/G31	28-30/37	20/25	35/45
DE	II2ELL3B/P	G20	20	17	25
		G25	20	18	25
		G30/G31	50	42,5	57,5
ES GB GR IE IT PT SK CH	II2H3+	G20	20	17	25
		G30/G31	28-30/37	20/25	35/45
MK UA FI BG EE LV LT CZ SI TR HR RO SK SE DK AL NO RA	II2H3B/P	G20	20	17	25
		G30/G31	28-30	25	35
AT CH	II2H3B/P	G20	20	17	25
		G30/G31	50	42,5	57,5
HU	II2HS3B/P	G20	25	18	33
		G25.1	25	18	33
		G30/G31	28-30	25	35
		G30/G31	50	42,5	57,5
SE	III1ab2H3B/P	G20	20	17	25
		G30/G31	28-30	25	35
		G110	8	6	15
		G120	8	6	15
DK IT	III1a2H3B/P	G20	20	17	25
		G30/G31	28-30	25	35
		G110	8	6	15
NL	II2L3B/P	G25	25	20	30
		G30/G31	28-30	25	35
LU	II2E3+	G20	20	17	25
		G30/G31	28-30/37	20/25	35/45

**X. TAB3 - DATI TECNICI - TECHNICAL DATA - TECHNISCHE DATEN - CARACTERISTIQUES TECHNIQUES - DATOS TECNICOS - TECHNISCHE GEVEGENS** Dati tecnici apparecchiature gas - Technical data of gas appliances - Caractéristiques techniques des appareils à gaz - Technische Daten gasgerate - Datos técnicos de los equipos de gas - Technische gegevens gasapparatuur

<b>TAB.3</b>												
Modelli Modelle Models Modelos Modelos Modellen	Larghezza Breite Width Largeur Anchura Breedte	ΣQn	Consumo gas complessivo - Gesamtgasverbrauch Total gas consumption Consommation totale de gaz - Consumo total de gas - Totaal gasverbruik									
			G20 (20)	G25 (25)	G25 (20)	G20 (25)	G25.1 (25)	G110 (8)	G120 (8)	G30 (29)	G30 (37)	G30 (50)
			m3/h	m3/h	m3/h	m3/h	m3/h	m3/h	m3/h	Kg/h	Kg/h	Kg/h
mm	kW	m3/h	m3/h	m3/h	m3/h	m3/h	m3/h	m3/h	m3/h	Kg/h	Kg/h	Kg/h
_60/30 FT...G...	300	5.2	0.55	0.64	0.64	0.55	0.639	-	-	0.41	0.41	0.41
_60/60 FT...G...	600	10.4	1.101	1.28	1.28	1.101	1.278	-	-	0.82	0.82	0.82
_60/30 FT...G...CR	300	5.2	0.55	0.64	0.64	0.55	0.639	-	-	0.41	0.41	0.41
_60/60 FT...G...CR	600	10.4	1.101	1.28	1.28	1.101	1.278	-	-	0.82	0.82	0.82
_65/40 FT...G...	400	5.7	0.603	0.702	0.702	0.603	0.7	-	-	0.45	0.45	0.45
_65/70 FT...G...	700	11.4	1.206	1.403	1.403	1.206	1.401	-	-	0.899	0.899	0.899
_65/40 FT...G...CR	400	5.7	0.603	0.702	0.702	0.603	0.7	-	-	0.45	0.45	0.45
_65/70 FT...G...CR	700	11.4	1.206	1.403	1.403	1.206	1.401	-	-	0.899	0.899	0.899
_70/40 FT...G...	400	5.7	0.60	0.70	0.70	0.60	0.70	-	-	0.45	0.45	0.45
_70/70 FT...G...	700	11.4	1.21	1.40	1.40	1.21	1.40	-	-	0.90	0.90	0.90
_70/40 FT...G...CR...	400	5.7	0.60	0.70	0.70	0.60	0.70	-	-	0.45	0.45	0.45
_70/70 FT...G...CR...	700	11.4	1.21	1.40	1.40	1.21	1.40	-	-	0.90	0.90	0.90
_90/40 FT...G...	400	6.9	0.73	0.85	0.85	0.73	0.85	-	-	0.54	0.54	0.54
_90/80 FT...G...	800	13.8	1.46	1.70	1.70	1.46	1.70	-	-	1.09	1.09	1.09
_90/40 FT...G...CR...	400	6.9	0.73	0.85	0.85	0.73	0.85	-	-	0.54	0.54	0.54
_90/80 FT...G...CR...	800	13.8	1.46	1.70	1.70	1.46	1.70	-	-	1.09	1.09	1.09

**XI. TAB4 - DATI TECNICI - TECHNICAL DATA - TECHNISCHE DATEN - CARACTERISTIQUES TECHNIQUES - DATOS TECNICOS- TECHNISCHE GEGEVENS** Dati tecnici apparecchiature elettriche - Dati tecnici aTechnical data of electric appliances - Caractéristiques techniques des appareils électriques - Technische Daten Elektrogerate - Datos técnicos de los equipos eléctricos - Technische gegevens elektrische apparatuur

TAB.4						
Modelli Modelle Models Modelos Modelos Modellen	Larghezza Breite Width Largeur Anchura Breedte	Tensione di alimentazione Netzspannung Power supply voltage Tension d'alimentation Tension de alimentacion Voedingsspanning	Fasi Phasen Phases Fases Fasen	Frequenza Frequenz Frequency Fréquence Frecuencia Frequentie	Potenza totale massima Max. gesamtleistung Max. total power Puisance totale maximum Potencia maxima total Max totaal vermogen	Sezione cavo alimentazione Querschnitt netzkabel Power supply cable section Section du cable de alimentation Section del cable de alimentacion Doorsnede elektrisch snoer
	mm	V	N.	Hz	kW	-
_60/30 FT...E...	300	380-415	3N	50-60	3	5G1
		220-240	1N	50-60	3	3G1.5
_60/60 FT...E...	600	380-415	3N	50-60	6	5G1.5
		220-240	1N	50-60	6	3G4
_60/30 FT...E...-D	300	380-415	3N	50-60	3	5G1
_60/60 FT...E...-D	600	380-415	3N	50-60	6	5G1.5
_65/40 FT...E...	400	380-415	3N	50-60	4.5	5G1
_65/70 FT...E...	700	380-415	3N	50-60	9	5G1.5
_65/40 FT...E...-D	400	380-415	3N	50-60	4.5	5G1
		220-240	3	50-60	4.5	4G1.5
_65/70 FT...E...-D	700	380-415	3N	50-60	9	5G1.5
		220-240	3	50-60	9	4G2.5
_70/40 FT...E...	400	380-415	3N	50-60	5.40	5G1
_70/80 FT...E...	800	380-415	3N	50-60	10.80	5G1.5
_90/40 FT...E...	400	380-415	3N	50-60	7.50	5G1.5
_90/80 FT...E...	800	380-415	3N	50-60	15.00	5G2.5