

06/2022

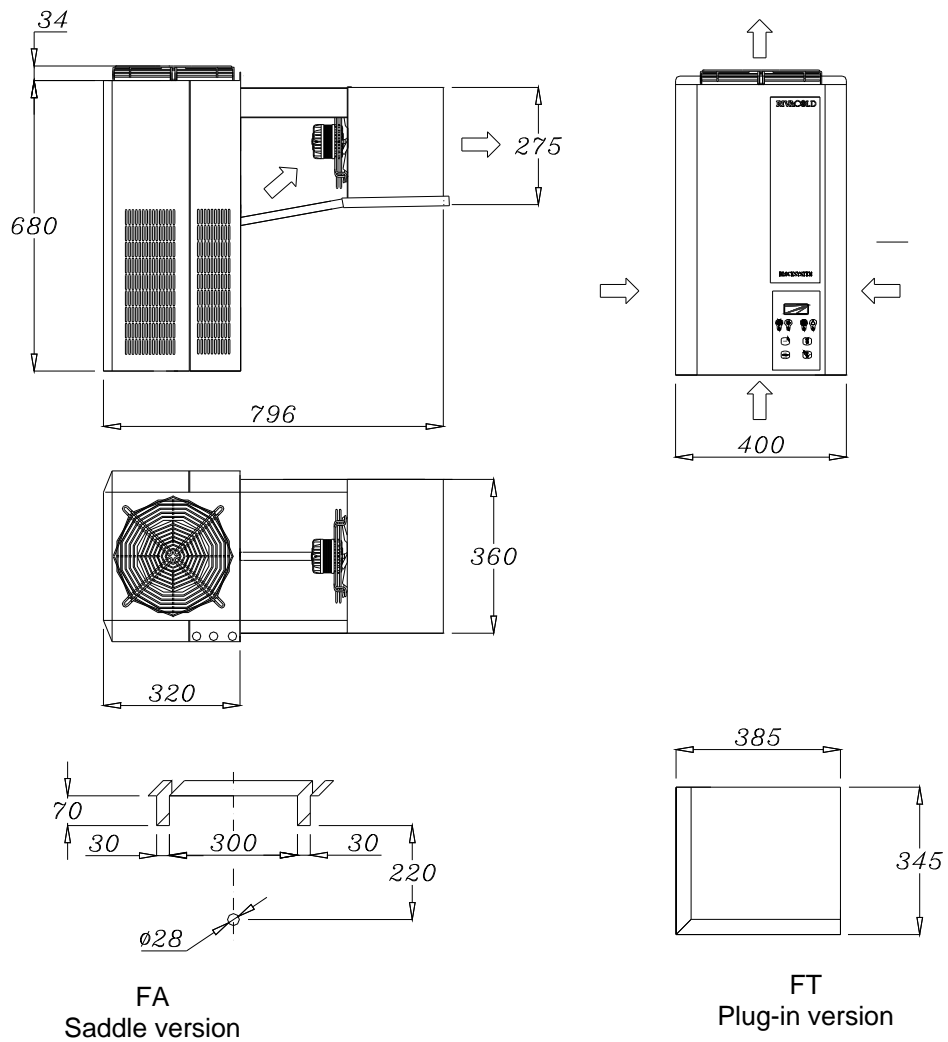
Mod: AN403T-3L

Production code: FAL034G012-DI

9. Attachment

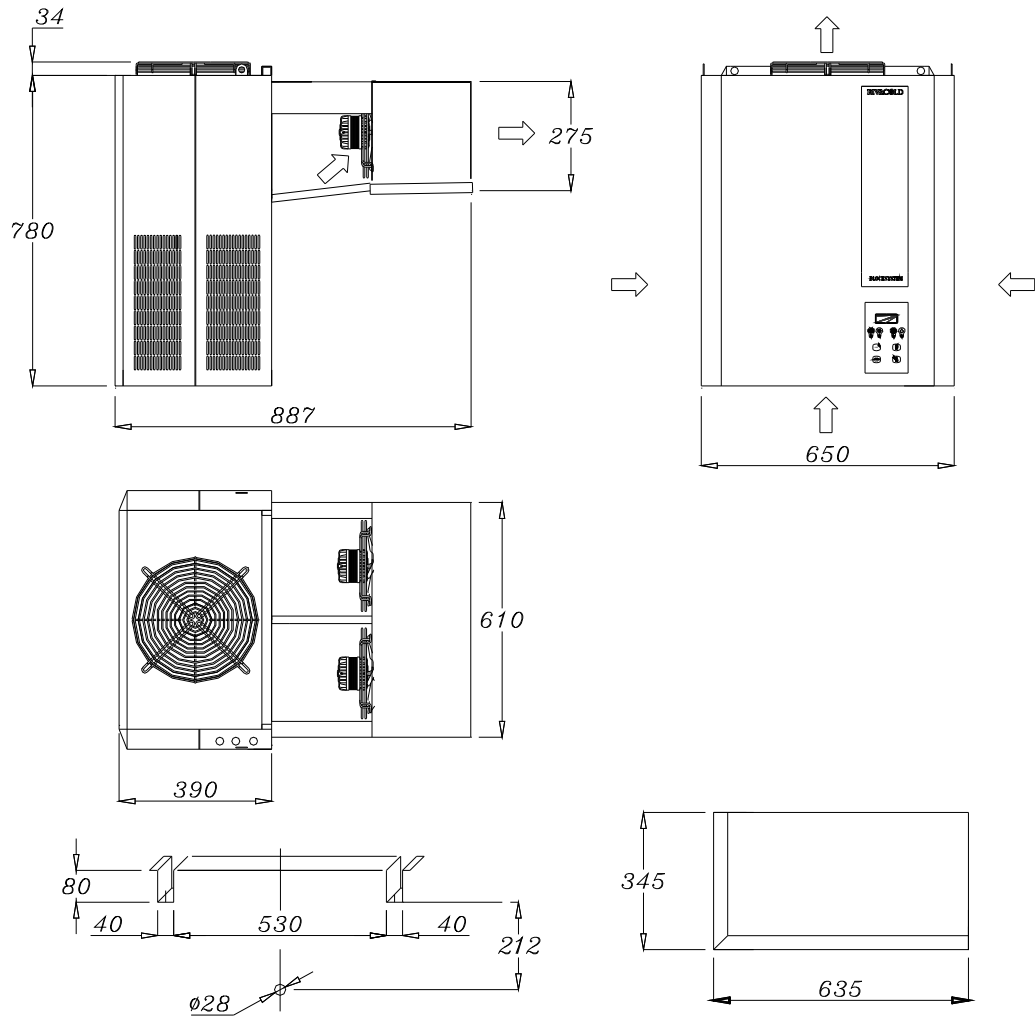
"FA-FT" RANGE

Drawing. 8 (1X250)



HBP		MBP		HBP		Fastening Screws
Mod.	Net. Weight [Kg]	Mod.	Net. Weight [Kg]	Mod.	Net. Weight [Kg]	
FAH003Z001	51,0	FAM003Z001	50,0	FAL003Z001	62,0	Self-tap. 4.8x32
FTH003Z001	52,5	FTM003Z001	51,5	FTL003Z001	63,5	
FAH006Z001	53,0	FAM006Z001	53,0	FAL006Z001	65,0	
FTH006Z001	54,5	FTM006Z001	54,5	FTL006Z001	66,5	
FAH007Z001	55,0	FAM007Z001	55,0	FAL009Z001	65,0	
FTH007Z001	56,5	FTM007Z001	56,5	FTL009Z001	66,5	
FAH009Z001	55,0	FAM009Z001	56,0			
FTH009Z001	56,5	FTM009Z001	57,5			
FAH012Z001	56,0	FAM012Z001	65,0			
FTH012Z001	57,5	FTM012Z001	66,5			

Drawing. 9 (1X300)

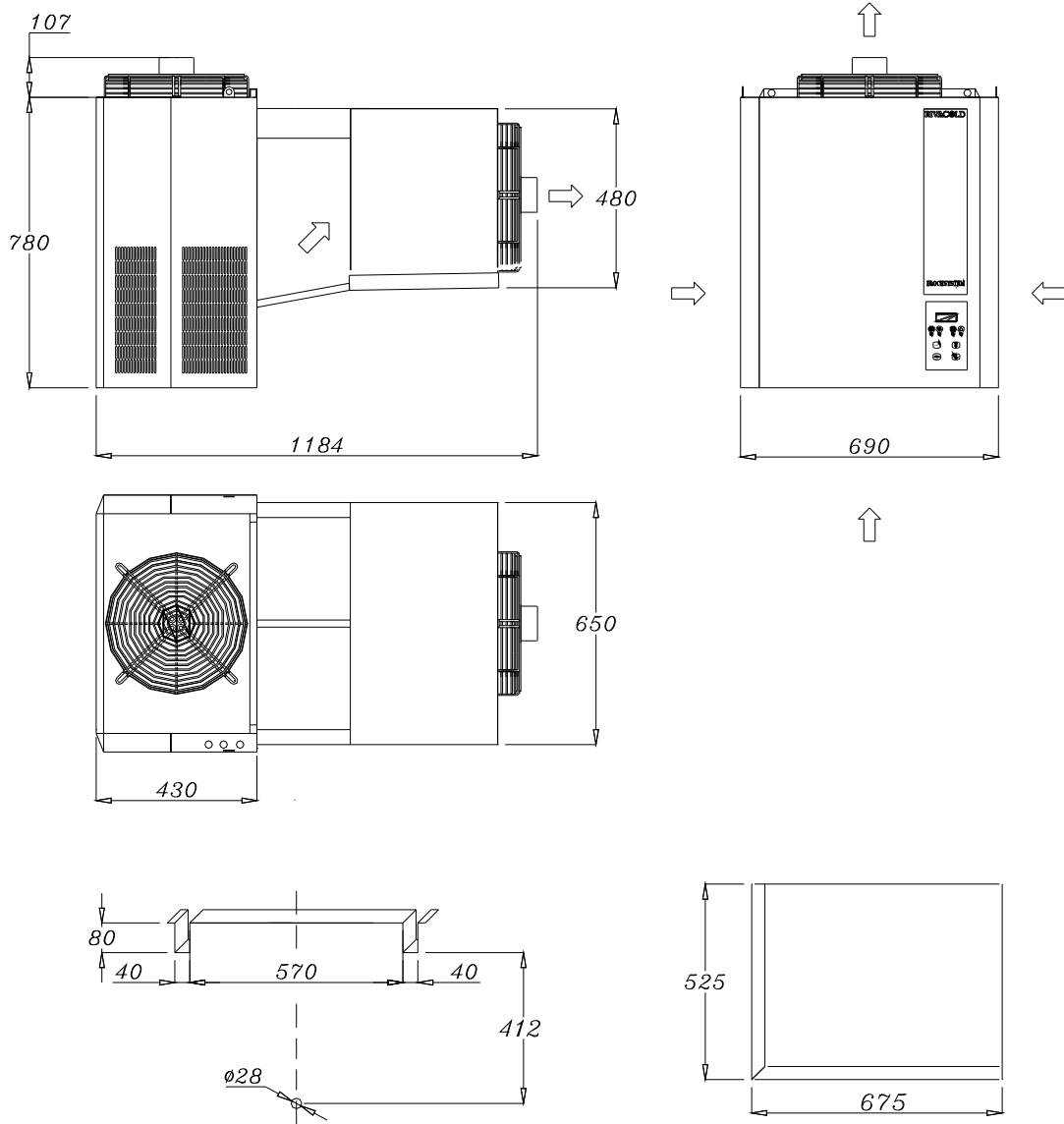


FA
Saddle version

FT
Plug-in version

HBP		MBP		LBP		Fastening screws
Mod.	Net. Weight [Kg]	Mod.	Net. Weight [Kg]	Mod.	Net. Weight [Kg]	
FAH016Z001	82,0	FAM016Z001	82,0	FAL012Z001	80,0	Self-tap. 4.8x32
FTH016Z001	84,3	FTM016Z001	84,3	FTL012Z001	82,3	
FAH022Z002	82,0	FAM022Z002	82,0	FAL016Z002	92,0	
FTH022Z002	84,3	FTM022Z002	84,3	FTL016Z002	94,3	
FAH028Z002	83,0	FAM028Z002	83,0			
FTH028Z002	85,3	FTM028Z002	85,3			

Drawing. 10 (1x350)



FA
Saddle version

FT
Plug-in version

HBP		MBP		LBP		Fastening screws
Mod.	Net. Weight [Kg]	Mod.	Net. Weight [Kg]	Mod.	Net. Weight [Kg]	
FAH034Z002	98,0	FAM034Z002	98,0	FAL020Z002	106,0	Self-tap. 4.8x32
FTH034Z002	101,5	FTM034Z002	101,5	FTL020Z002	109,5	
FAH040Z002	102,0	FAM040Z002	109,0	FAL024Z002	111,0	
FTH040Z002	105,5	FTM040Z002	112,5	FTL024Z002	114,5	

