

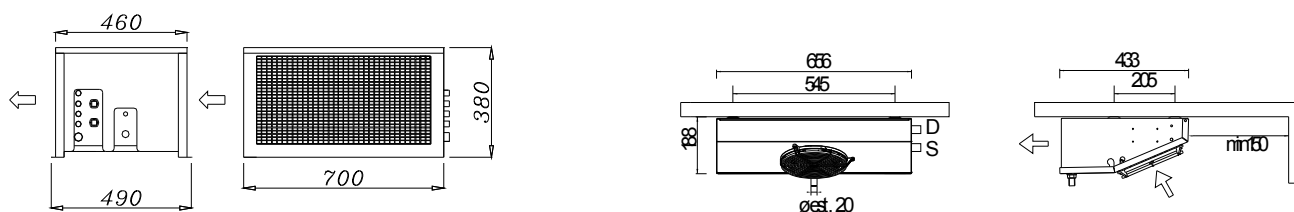
07/2022

Mod: HP50M-1M

Production code: STM006G001-DI

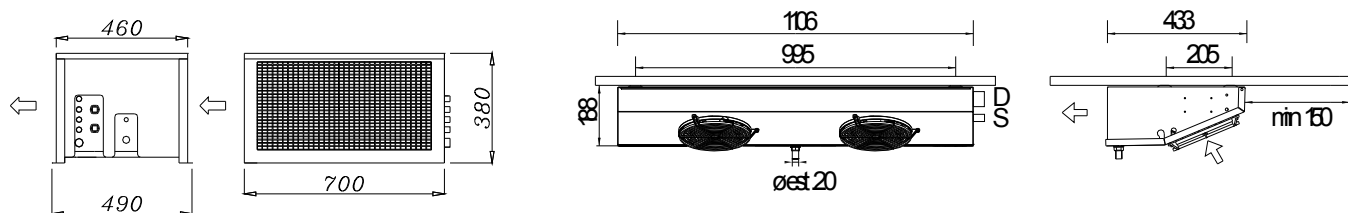
"ST" RANGE

Drawing 6



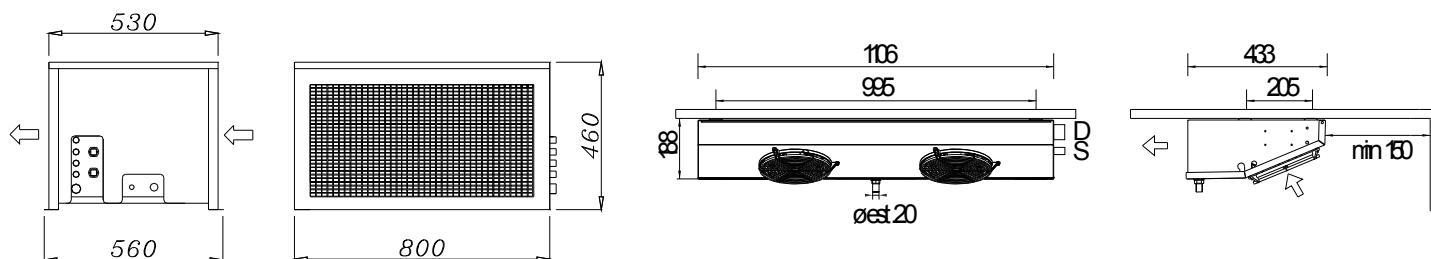
| HBP | | | | | MBP | | | | | LBP | | | | |
|--------|--------|--------|------------------|-------|--------|--------|--------|------------------|-------|--------|--------|--------|------------------|-------|
| Mod. | S [mm] | D [mm] | Net. Weight [Kg] | | Mod. | S [mm] | D [mm] | Net. Weight [Kg] | | Mod. | S [mm] | D [mm] | Net. Weight [Kg] | |
| | | | Cond.Unit | Evap. | | | | Cond.Unit | Evap. | | | | Cond.Unit | Evap. |
| STH003 | 10 | 6 | 44.3 | 6.1 | STM003 | 10 | 6 | 45.3 | 6.1 | STL003 | 10 | 6 | 53.8 | 6.1 |
| STH006 | 10 | 6 | 45.7 | 7.2 | STM006 | 10 | 6 | 46.7 | 7.2 | STL006 | 12 | 6 | 54.6 | 7.2 |

Drawing 7



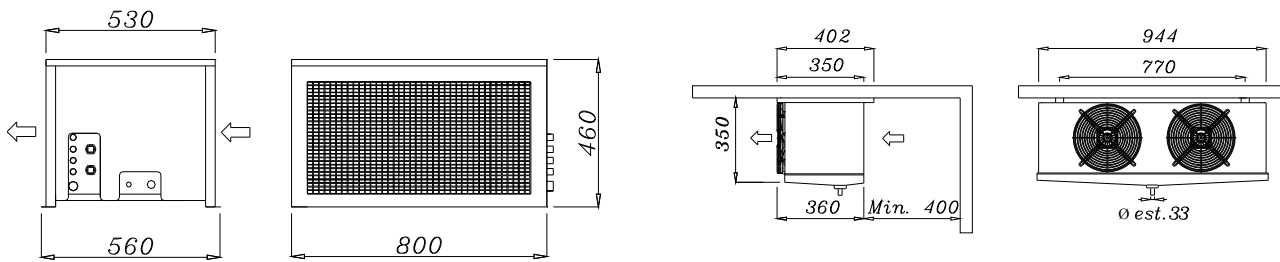
| HBP | | | | | MBP | | | | | LBP | | | | |
|--------|--------|--------|------------------|-------|--------|--------|--------|------------------|-------|--------|--------|--------|------------------|-------|
| Mod. | S [mm] | D [mm] | Net. Weight [Kg] | | Mod. | S [mm] | D [mm] | Net. Weight [Kg] | | Mod. | S [mm] | D [mm] | Net. Weight [Kg] | |
| | | | Cond.Unit | Evap. | | | | Cond.Unit | Evap. | | | | Cond.Unit | Evap. |
| STH009 | 12 | 6 | 53.5 | 10.7 | STM009 | 12 | 6 | 47 | 10.7 | STL009 | 12 | 6 | 68.6 | 10.7 |
| STH016 | 12 | 6 | 57 | 12.5 | STM012 | 12 | 6 | 55 | 10.7 | | | | | |
| | | | | | STM016 | 12 | 6 | 57 | 12.5 | | | | | |

Drawing 8



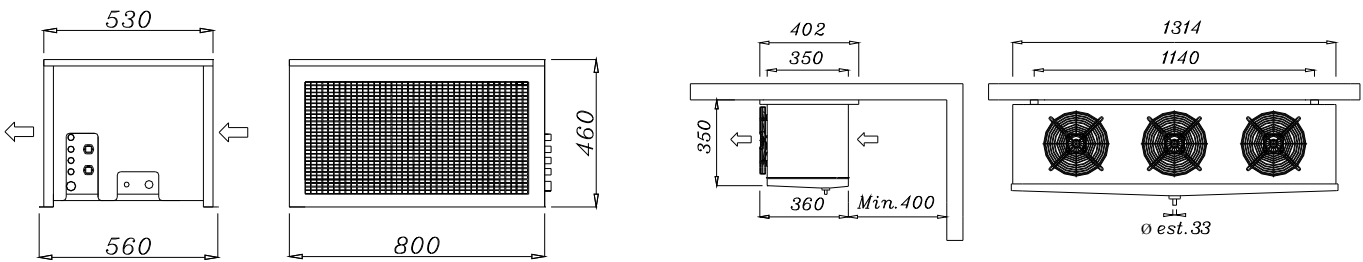
| LBP | | | | |
|--------|--------|--------|------------------|-------|
| Mod. | S [mm] | D [mm] | Net. Weight [Kg] | |
| | | | Cond.Unit | Evap. |
| STL012 | 12 | 10 | 65 | 10.7 |

Drawing 9



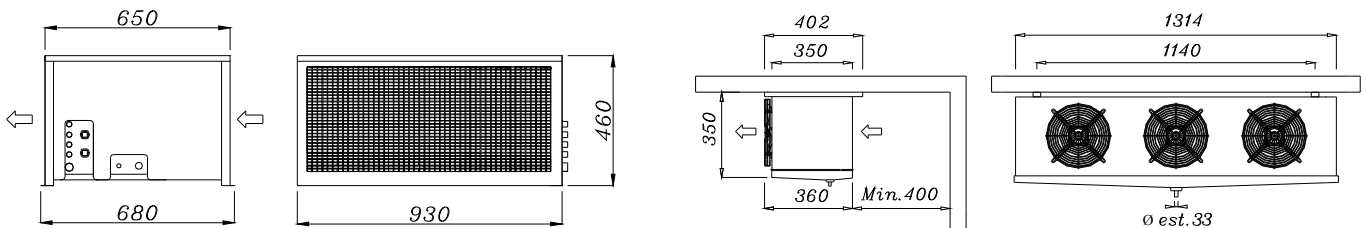
| HBP | | | | | MBP | | | | | LBP | | | | |
|--------|--------|--------|------------------|-------|--------|--------|--------|------------------|-------|--------|--------|--------|------------------|-------|
| Mod. | S [mm] | D [mm] | Net. Weight [Kg] | | Mod. | S [mm] | D [mm] | Net. Weight [Kg] | | Mod. | S [mm] | D [mm] | Net. Weight [Kg] | |
| | | | Cond.Unit | Evap. | | | | Cond.Unit | Evap. | | | | Cond.Unit | Evap. |
| STH022 | 16 | 10 | 62.3 | 17.7 | STM022 | 16 | 10 | 63 | 19 | STL016 | 16 | 10 | 74 | 19 |

Drawing 10



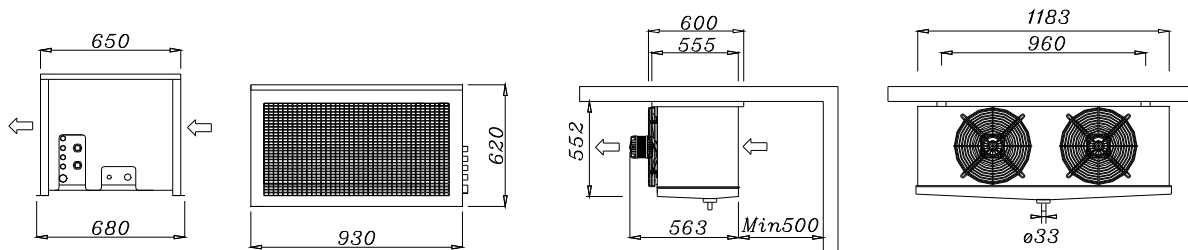
| HBP | | | | | MBP | | | | |
|--------|--------|--------|------------------|-------|--------|--------|--------|------------------|-------|
| Mod. | S [mm] | D [mm] | Net. Weight [Kg] | | Mod. | S [mm] | D [mm] | Net. Weight [Kg] | |
| | | | Cond.Unit | Evap. | | | | Cond.Unit | Evap. |
| STH034 | 16 | 10 | 84.8 | 25.2 | STM034 | 16 | 10 | 85 | 27 |

Drawing 11



| HBP | | | | | MBP | | | | | LBP | | | | |
|--------|--------|--------|------------------|-------|--------|--------|--------|------------------|-------|--------|--------|--------|------------------|-------|
| Mod. | S [mm] | D [mm] | Net. Weight [Kg] | | Mod. | S [mm] | D [mm] | Net. Weight [Kg] | | Mod. | S [mm] | D [mm] | Net. Weight [Kg] | |
| | | | Cond.Unit | Evap. | | | | Cond.Unit | Evap. | | | | Cond.Unit | Evap. |
| STH054 | 16 | 10 | 90.8 | 28.2 | STM054 | 18 | 10 | 92 | 30 | STL024 | 16 | 10 | 88 | 27 |
| | | | | | | | | | | STL034 | 18 | 10 | 100 | 30 |

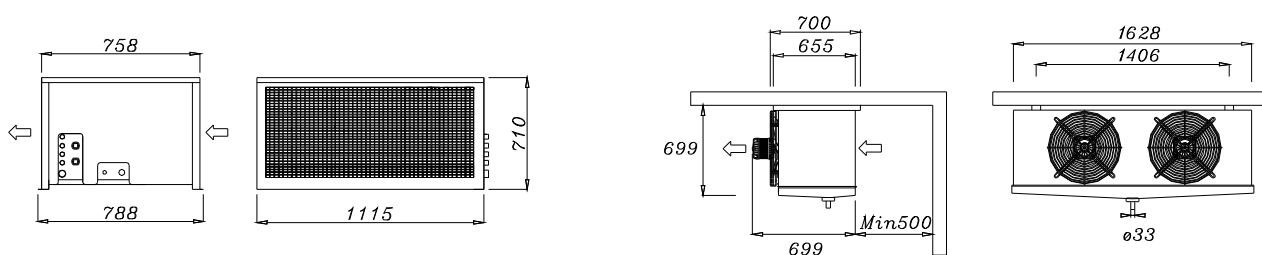
Drawing12



| MBP | | | | | LBP | | | | |
|---------|--------|--------|------------------|-------|---------|--------|--------|------------------|-------|
| Mod. | S [mm] | D [mm] | Net. Weight [Kg] | | Mod. | S [mm] | D [mm] | Net. Weight [Kg] | |
| | | | Cond.Unit | Evap. | | | | Cond.Unit | Evap. |
| STM068* | 22 | 12 | 109.4 | 46.6 | STL060* | 28 | 12 | 125.4 | 46.6 |
| STM080* | 22 | 12 | 118.7 | 51.3 | STL080* | 28 | 12 | 126.7 | 51.3 |

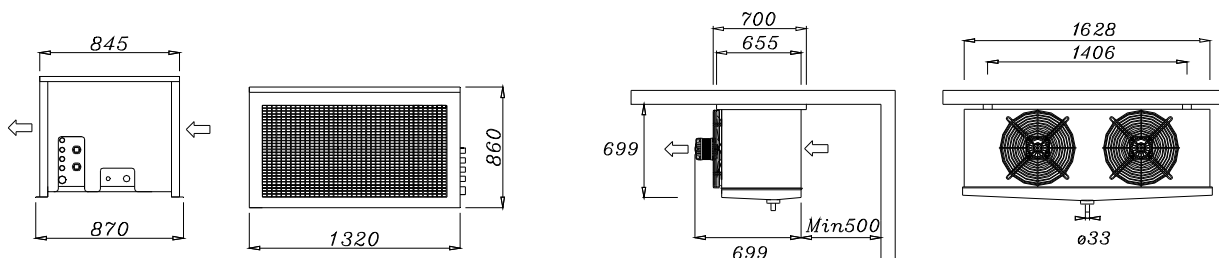
* **Modello non disponibile con attacchi rapidi e carica di refrigerante**
 Model not available with fast connections and gas charge

Drawing 13



| MBP | | | | | LBP | | | | |
|---------|--------|--------|------------------|-------|---------|--------|--------|------------------|-------|
| Mod. | S [mm] | D [mm] | Net. Weight [Kg] | | Mod. | S [mm] | D [mm] | Net. Weight [Kg] | |
| | | | Cond.Unit | Evap. | | | | Cond.Unit | Evap. |
| STM110* | 28 | 12 | 144.6 | 57,4 | STL130* | 28 | 16 | 173.6 | 57,4 |

Drawing 14

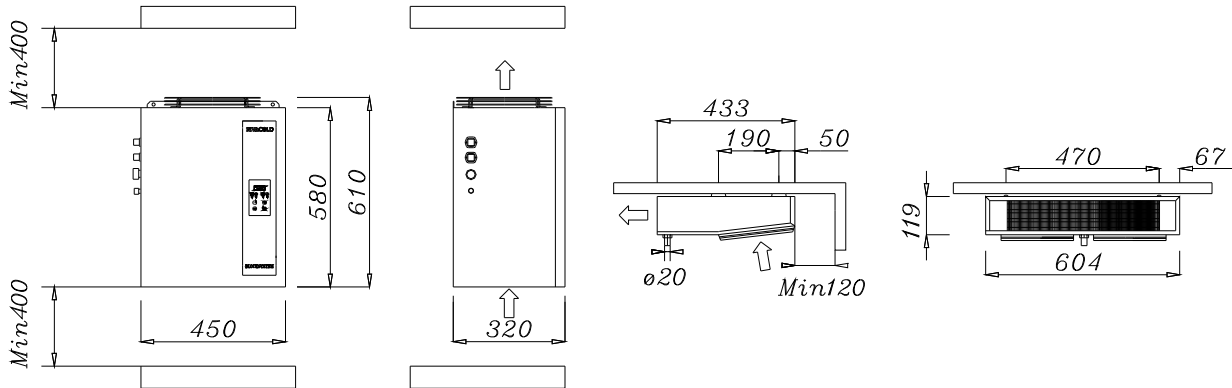


| MBP | | | | | LBP | | | | |
|---------|--------|--------|------------------|-------|---------|--------|--------|------------------|-------|
| Mod. | S [mm] | D [mm] | Net. Weight [Kg] | | Mod. | S [mm] | D [mm] | Net. Weight [Kg] | |
| | | | Cond.Unit | Evap. | | | | Cond.Unit | Evap. |
| STM140* | 28 | 12 | 156.3 | 78.7 | STL180* | 35 | 16 | 232.3 | 78.7 |
| STM200* | 35 | 16 | 178 | 89 | STL200* | 35 | 16 | 229 | 89 |
| | | | | | STL260* | 35 | 16 | 232 | 89 |

* **Modello non disponibile con attacchi rapidi e carica di refrigerante**
 Model not available with fast connections and gas charge

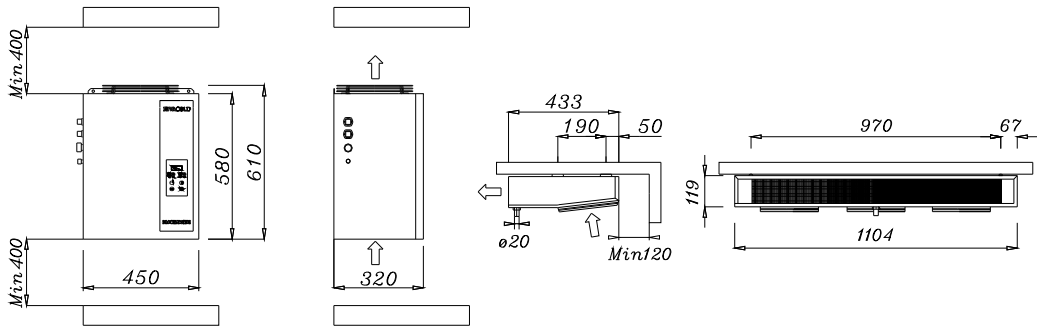
“SP” RANGE

Drawing 15



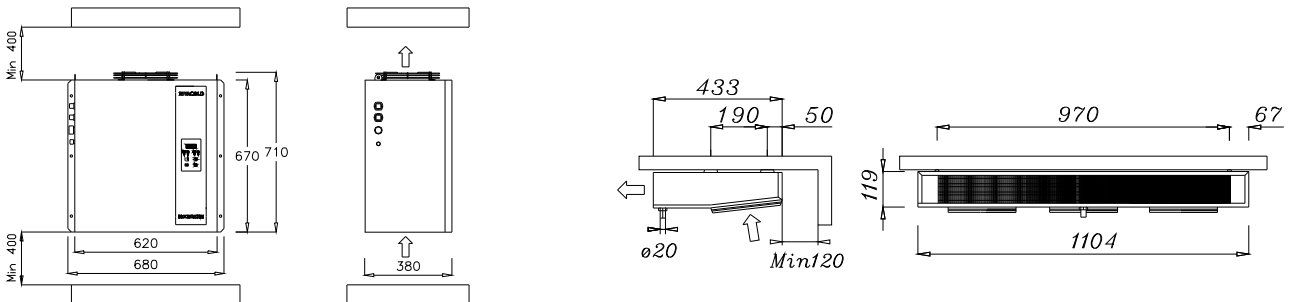
| HBP | | | | | MBP | | | | | LBP | | | | |
|--------|--------|--------|------------------|-------|--------|--------|--------|------------------|-------|--------|--------|--------|------------------|-------|
| Mod. | S [mm] | D [mm] | Net. Weight [Kg] | | Mod. | S [mm] | D [mm] | Net. Weight [Kg] | | Mod. | S [mm] | D [mm] | Net. Weight [Kg] | |
| | | | Cond.Unit | Evap. | | | | Cond.Unit | Evap. | | | | Cond.Unit | Evap. |
| SPH003 | 10 | 6 | 42.3 | 6.7 | SPM003 | 10 | 6 | 43.3 | 6.7 | SPL003 | 10 | 6 | 48.8 | 7.2 |
| SPH006 | 10 | 6 | 44.7 | 7.3 | SPM006 | 10 | 6 | 42.7 | 7.3 | | | | | |

Drawing 16



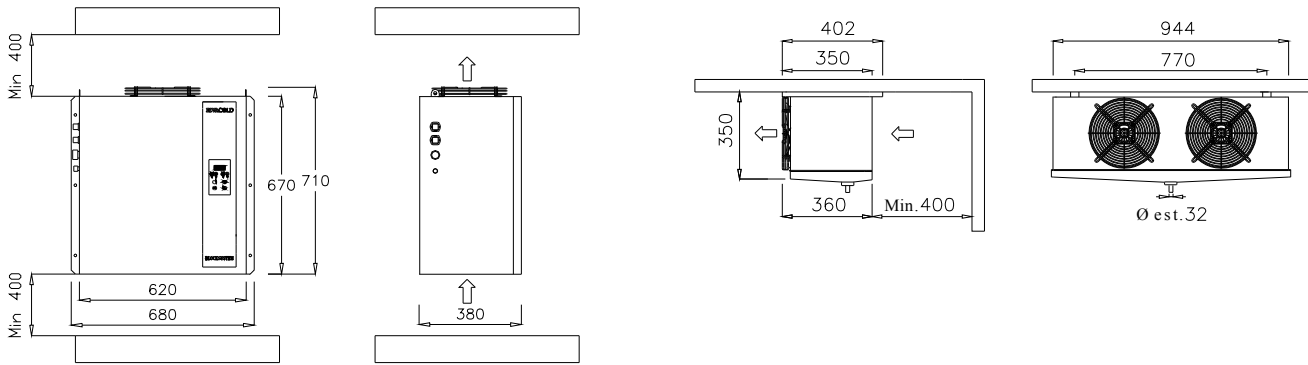
| HBP | | | | | MBP | | | | | LBP | | | | |
|--------|--------|--------|------------------|-------|--------|--------|--------|------------------|-------|--------|--------|--------|------------------|-------|
| Mod. | S [mm] | D [mm] | Net. Weight [Kg] | | Mod. | S [mm] | D [mm] | Net. Weight [Kg] | | Mod. | S [mm] | D [mm] | Net. Weight [Kg] | |
| | | | Cond.Unit | Evap. | | | | Cond.Unit | Evap. | | | | Cond.Unit | Evap. |
| SPH009 | 12 | 6 | 53.5 | 10.5 | SPM009 | 12 | 6 | 56.5 | 10.5 | SPL006 | 12 | 6 | 54.6 | 10.4 |

Drawing 17



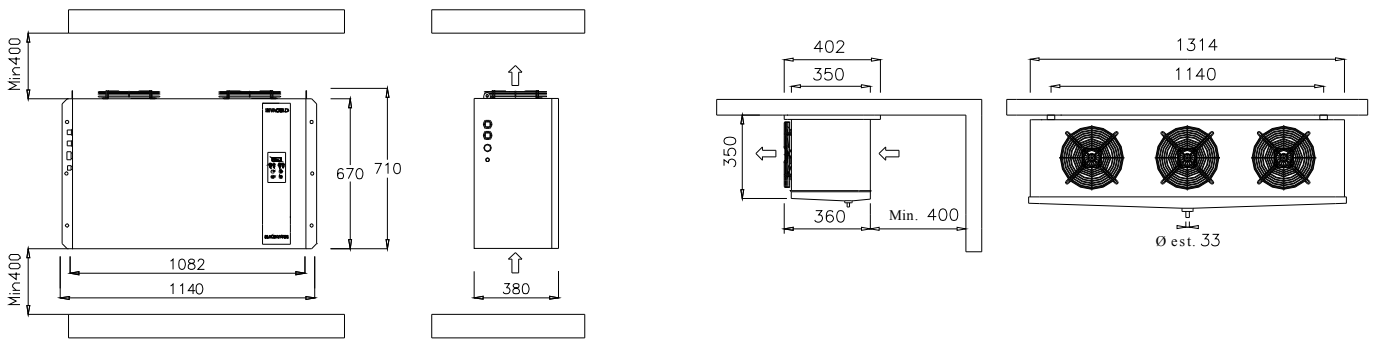
| HBP | | | | | MBP | | | | | LBP | | | | |
|--------|--------|--------|------------------|-------|--------|--------|--------|------------------|-------|--------|--------|--------|------------------|-------|
| Mod. | S [mm] | D [mm] | Net. Weight [Kg] | | Mod. | S [mm] | D [mm] | Net. Weight [Kg] | | Mod. | S [mm] | D [mm] | Net. Weight [Kg] | |
| | | | Cond.Unit | Evap. | | | | Cond.Unit | Evap. | | | | Cond.Unit | Evap. |
| SPH016 | 12 | 6 | 54.5 | 11.5 | SPM016 | 12 | 6 | 58.5 | 11.5 | SPL009 | 12 | 6 | 70.6 | 11.4 |

Drawing 18



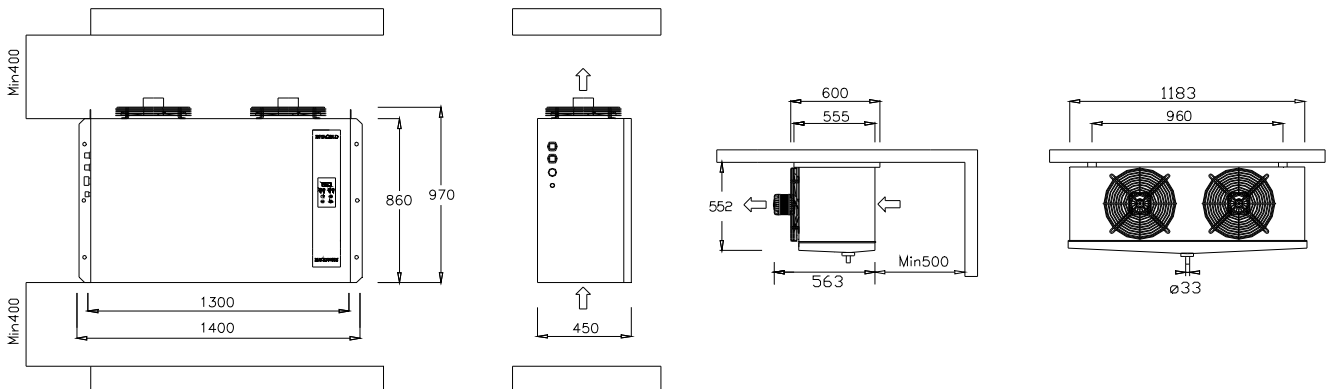
| HBP | | | | | MBP | | | | | LBP | | | | |
|--------|--------|--------|------------------|-------|--------|--------|--------|------------------|-------|--------|--------|--------|------------------|-------|
| Mod. | S [mm] | D [mm] | Net. Weight [Kg] | | Mod. | S [mm] | D [mm] | Net. Weight [Kg] | | Mod. | S [mm] | D [mm] | Net. Weight [Kg] | |
| | | | Cond.Unit | Evap. | | | | Cond.Unit | Evap. | | | | Cond.Unit | Evap. |
| SPH022 | 16 | 10 | 91.3 | 17.7 | SPM022 | 16 | 10 | 89 | 19 | SPL016 | 16 | 10 | 76 | 19 |

Drawing 19



| HBP | | | | | MBP | | | | | LBP | | | | |
|--------|--------|--------|------------------|-------|--------|--------|--------|------------------|-------|--------|--------|--------|------------------|-------|
| Mod. | S [mm] | D [mm] | Net. Weight [Kg] | | Mod. | S [mm] | D [mm] | Net. Weight [Kg] | | Mod. | S [mm] | D [mm] | Net. Weight [Kg] | |
| | | | Cond.Unit | Evap. | | | | Cond.Unit | Evap. | | | | Cond.Unit | Evap. |
| SPH034 | 16 | 10 | 97.8 | 25.2 | SPM034 | 16 | 10 | 94 | 27 | SPL024 | 16 | 10 | 126 | 27 |
| SPH054 | 16 | 10 | 131.8 | 28.2 | SPM054 | 18 | 10 | 95 | 30 | SPL034 | 18 | 10 | 128 | 30 |

Drawing 12

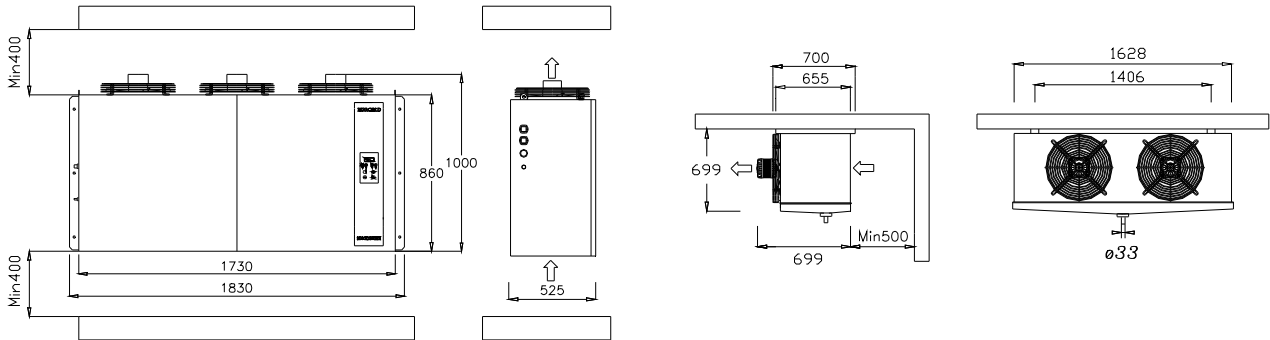


| MBP | | | | | LBP | | | | |
|---------|--------|--------|------------------|-------|---------|--------|--------|------------------|-------|
| Mod. | S [mm] | D [mm] | Net. Weight [Kg] | | Mod. | S [mm] | D [mm] | Net. Weight [Kg] | |
| | | | Cond.Unit | Evap. | | | | Cond.Unit | Evap. |
| SPM068* | 22 | 12 | 117.4 | 46.6 | SPL060* | 28 | 12 | 144.4 | 46.6 |

| | | | | | | | | | |
|-----------|----|----|-------|------|-----------|----|----|-------|------|
| SPM080*__ | 22 | 12 | 130.7 | 51.3 | SPL080*__ | 28 | 12 | 145.7 | 51.3 |
|-----------|----|----|-------|------|-----------|----|----|-------|------|

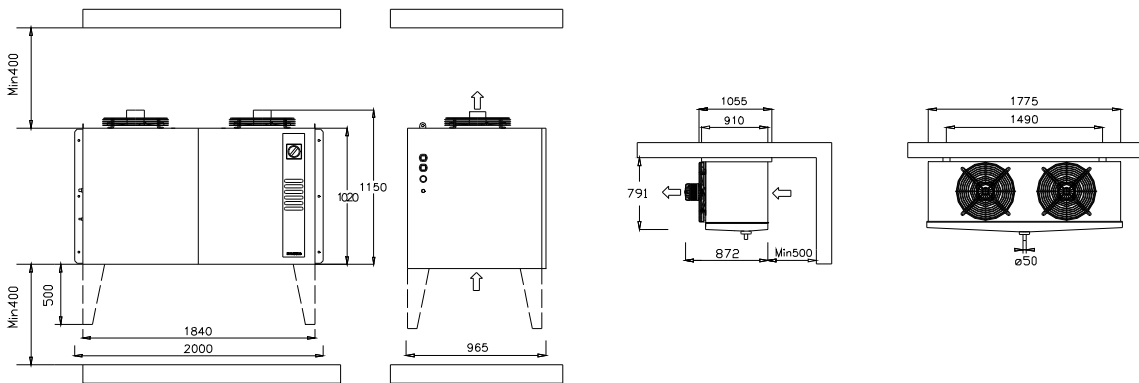
Modello non disponibile con attacchi rapidi e carica di refrigerante
 Model not available with fast connections and gas charge

Drawing 21



| MBP | | | | | LBP | | | | |
|-----------|--------|--------|------------------|-------|-----------|--------|--------|------------------|-------|
| Mod. | S [mm] | D [mm] | Net. Weight [Kg] | | Mod. | S [mm] | D [mm] | Net. Weight [Kg] | |
| | | | Cond.Unit | Evap. | | | | Cond.Unit | Evap. |
| SPM110*__ | 28 | 12 | 211.6 | 68.4 | SPL130*__ | 28 | 16 | 254.6 | 68.4 |
| SPM140*__ | 28 | 12 | 218.3 | 78.7 | SPL180*__ | 35 | 16 | 262.3 | 78.7 |
| SPM200*__ | 35 | 16 | 241 | 89 | SPL200*__ | 35 | 16 | 292 | 89 |
| | | | | | SPL260*__ | 35 | 16 | 295 | 89 |

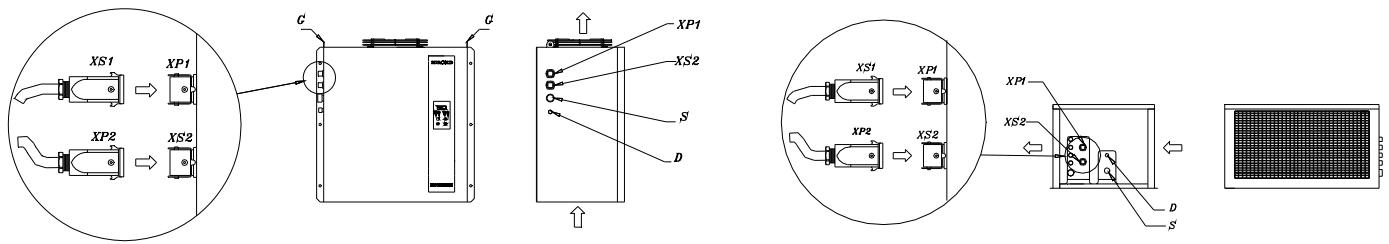
Drawing 22



| MBP | | | | | LBP | | | | |
|-----------|--------|--------|------------------|-------|-----------|--------|--------|------------------|-------|
| Mod. | S [mm] | D [mm] | Net. Weight [Kg] | | Mod. | S [mm] | D [mm] | Net. Weight [Kg] | |
| | | | Cond.Unit | Evap. | | | | Cond.Unit | Evap. |
| SPM300*__ | 35 | 16 | 455.1 | 124.9 | SPL350*__ | 42 | 22 | 525.1 | 124.9 |
| SPM370*__ | 35 | 16 | 475.9 | 134.1 | SPL450*__ | 42 | 22 | 545.9 | 134.1 |

* **Modello non disponibile con attacchi rapidi e carica di refrigerante**
 Model not available with fast connections and gas charge

Drawing 23



Legenda / Key / Légende / Leyenda / Legende

S = Tubo di aspirazione/Suction pipe/Tube d'aspiration/Tubo de aspiración/ Saugrohr

D = Tubo di mandata/Discharge pipe/Tube de refoulement/Tubo de envío/ Druckrohr

XS1 = Presa connettore sonda/Probe connector socket/ Prise connecteur sondes /Enchufe conector sondas/Steckdose Sonde

XP1 = Spina connettore sonda/Probe connector plug/ Fiche connecteur sondes /Enchufe conector sondas/ Stecker Sonde

XS2 = Presa connettore ventole e resistenze/Fans and heaters connector socket/Prise connecteur ventilateur et résistances/Enchufe conector ventiladores y resistencias/ Steckdose Ventilatoren und Heizwiderstände

XP2 = Spina connettore ventole e resistenze/Fan and heater connector plug/Fiche connecteur ventilateur et résistances/ Enchufe conector ventiladores e resistencias/ Stecker Ventilatoren und Heizwiderstände

G = Ganci di sollevamento/Lifting hooks/Crochets de levage/Ganchos de levantamiento/Transporthaken

Tubazioni precaricate /Pre-charged pipe connections
Tuyaux préchargés / Tubos de conexión pre-cargados
Vorgefüllte Kältemittelleitungen

| RANGE TENP. | BLOCKSYSTEM | BLOCKSYSTEM | Liquid line | Suction | Pipe connections m 2 | Pipe connections m 5 | Pipe connections m 10 |
|-------------|-------------|-------------|-------------|---------|----------------------|----------------------|-----------------------|
| HBP | STH003E001 | SPH003E001 | 6 | 10 | KIT2610/E | KIT5610/E | KIT10610/E |
| | STH006E001 | SPH006E001 | 6 | 10 | KIT2610/E | KIT5610/E | KIT10610/E |
| | STH009E001 | SPH009E001 | 6 | 12 | KIT2612/E | KIT5612/E | KIT10612/E |
| | STH003Y001 | SPH003Y001 | 6 | 10 | KIT2610/Y | KIT5610/Y | KIT10610/Y |
| | STH006Y001 | SPH006Y001 | 6 | 10 | KIT2610/Y | KIT5610/Y | KIT10610/Y |
| | STH009Y001 | SPH009Y001 | 6 | 12 | KIT2612/Y | KIT5612/Y | KIT10612/Y |
| | STH003Z001 | SPH003Z001 | 6 | 10 | KIT2610/Z | KIT5610/Z | KIT10610/Z |
| | STH006Z001 | SPH006Z001 | 6 | 10 | KIT2610/Z | KIT5610/Z | KIT10610/Z |
| MBP | STM003E001 | SPM003E001 | 6 | 10 | KIT2610/E | KIT5610/E | KIT10610/E |
| | STM006E001 | SPM006E001 | 6 | 10 | KIT2610/E | KIT5610/E | KIT10610/E |
| | STM009E001 | SPM009E001 | 6 | 12 | KIT2612/E | KIT5612/E | KIT10612/E |
| | STM003Y001 | SPM003Y001 | 6 | 10 | KIT2610/Y | KIT5610/Y | KIT10610/Y |
| | STM006Y001 | SPM006Y001 | 6 | 10 | KIT2610/Y | KIT5610/Y | KIT10610/Y |
| | STM009Y001 | SPM009Y001 | 6 | 12 | KIT2612/Y | KIT5612/Y | KIT10612/Y |
| | STM003Z001 | SPM003Z001 | 6 | 10 | KIT2610/Z | KIT5610/Z | KIT10610/Z |
| | STM006Z001 | SPM006Z001 | 6 | 10 | KIT2610/Z | KIT5610/Z | KIT10610/Z |
| LBP | STL003Z011 | SPL003Z011 | 6 | 10 | KIT2610/Z | KIT5610/Z | KIT10610/Z |
| | STL006Z011 | SPL006Z011 | 6 | 12 | KIT2612/Z | KIT5612/Z | KIT10612/Z |

| | | | | | | | |
|-----|------------|------------|----|----|------------|------------|-------------|
| HBP | STH016E001 | SPH016E001 | 6 | 12 | KIT2612/E | KIT5612/E | KIT10612/E |
| | STH022E012 | SPH022E012 | 10 | 16 | KIT21016/E | KIT51016/E | KIT101016/E |
| | STH016Y001 | SPH016Y001 | 6 | 12 | KIT2612/Y | KIT5612/Y | KIT10612/Y |
| | STH022Y012 | SPH022Y012 | 10 | 16 | KIT21016/Y | KIT51016/Y | KIT101016/Y |
| | STH016Z001 | SPH016Z001 | 6 | 12 | KIT2612/Z | KIT5612/Z | KIT10612/Z |
| | STH022Z012 | SPH022Z012 | 10 | 16 | KIT21016/Z | KIT51016/Z | KIT101016/Z |
| MBP | STM016E001 | SPM016E001 | 6 | 12 | KIT2612/E | KIT5612/E | KIT10612/E |
| | STM022E012 | SPM022E012 | 10 | 16 | KIT21016/E | KIT51016/E | KIT101016/E |
| | STM016Y001 | SPM016Y001 | 6 | 12 | KIT2612/Y | KIT5612/Y | KIT10612/Y |
| | STM022Y012 | SPM022Y012 | 10 | 16 | KIT21016/Y | KIT51016/Y | KIT101016/Y |
| | STM016Z001 | SPM016Z001 | 6 | 12 | KIT2612/Z | KIT5612/Z | KIT10612/Z |
| | STM022Z012 | SPM022Z012 | 10 | 16 | KIT21016/Z | KIT51016/Z | KIT101016/Z |
| LBP | STL009Z011 | SPL009Z011 | 6 | 12 | KIT2612/Z | KIT5612/Z | KIT10612/Z |
| | STL016Z012 | SPL016Z012 | 10 | 16 | KIT21016/Z | KIT51016/Z | KIT101016/Z |

| | | | | | | | |
|-----|------------|------------|----|----|------------|------------|-------------|
| HBP | STH034E012 | SPH034E012 | 10 | 16 | KIT21016/E | KIT51016/E | KIT101016/E |
| | STH054E012 | SPH054E012 | 10 | 16 | KIT21016/E | KIT51016/E | KIT101016/E |
| | STH034Y012 | SPH034Y012 | 10 | 16 | KIT21016/Y | KIT51016/Y | KIT101016/Y |
| | STH054Y012 | SPH054Y012 | 10 | 16 | KIT21016/Y | KIT51016/Y | KIT101016/Y |
| | STH034Z012 | SPH034Z012 | 10 | 16 | KIT21016/Z | KIT51016/Z | KIT101016/Z |
| | STH054Z012 | SPH054Z012 | 10 | 16 | KIT21016/Z | KIT51016/Z | KIT101016/Z |
| MBP | STM034E012 | SPM034E012 | 10 | 16 | KIT21016/E | KIT51016/E | KIT101016/E |
| | STM054E012 | SPM054E012 | 10 | 18 | KIT21018/E | KIT51018/E | KIT101018/E |
| | STM034Y012 | SPM034Y012 | 10 | 16 | KIT21016/Y | KIT51016/Y | KIT101016/Y |
| | STM054Y012 | SPM054Y012 | 10 | 18 | KIT21018/Y | KIT51018/Y | KIT101018/Y |
| | STM034Z012 | SPM034Z012 | 10 | 16 | KIT21016/Z | KIT51016/Z | KIT101016/Z |
| | STM054Z012 | SPM054Z012 | 10 | 18 | KIT21018/Z | KIT51018/Z | KIT101018/Z |
| LBP | STL024Z012 | SPL024Z012 | 10 | 16 | KIT21016/Z | KIT51016/Z | KIT101016/Z |
| | STL034Z012 | SPL034Z012 | 10 | 18 | KIT21018/Z | KIT51018/Z | KIT101018/Z |