

07/2022

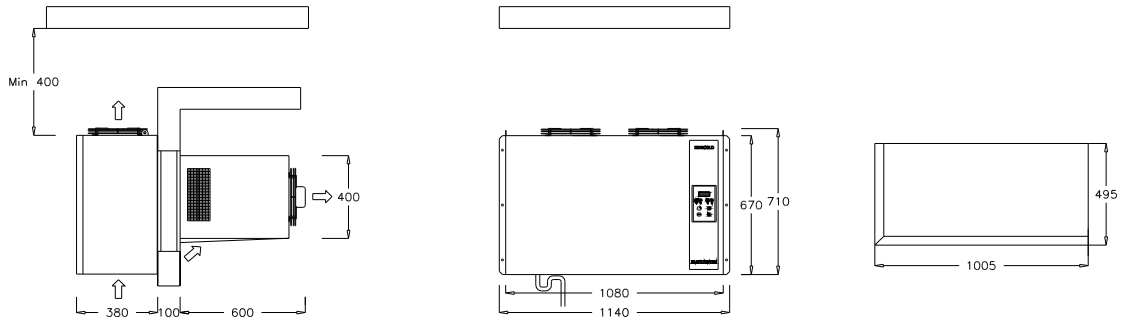
Mod: SP122M-3H

Production code: SFM012G001-DI

9. Attachment

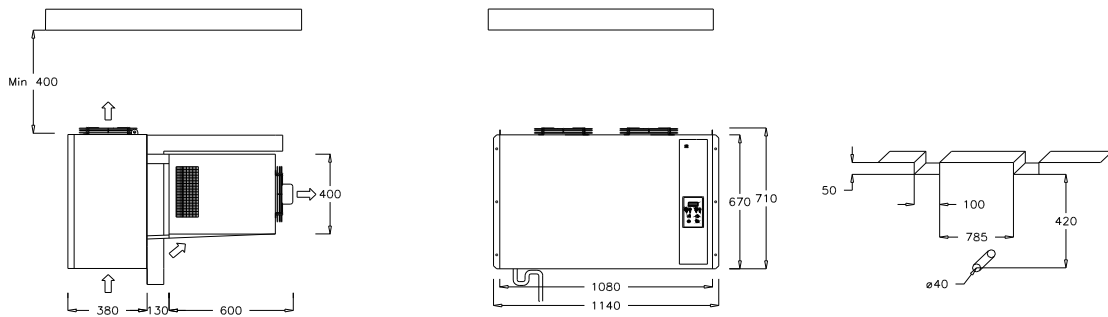
“P” RANGE

Drawing. 8 (Plug-in version)



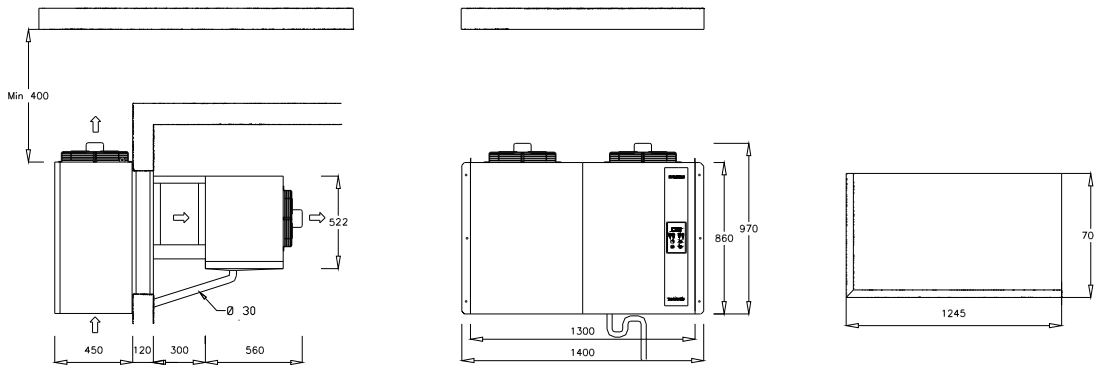
HBP		MBP		LBP		Fastening screws. Self tap. 4,8x32
Mod.	Net.Weight [Kg]	Mod.	Net.Weight [Kg]	Mod.	Net.Weight [Kg]	
PTH054_	123	PTM054_	129.5	PTL034_	141	

Drawing. 9 (Saddle version)



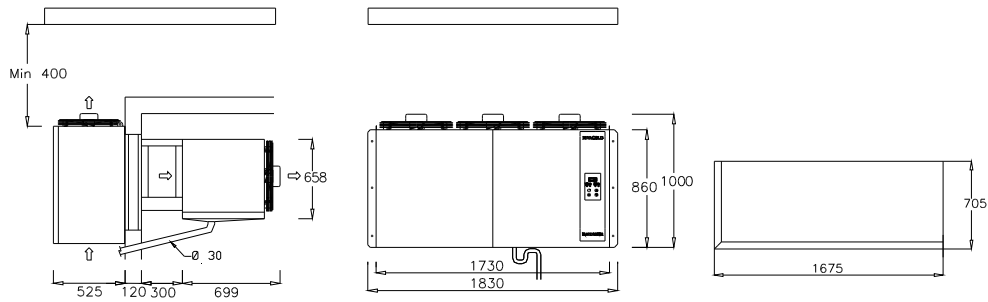
HBP		MBP		LBP		Fastening screws. self tap. 4,8x32
Mod.	Net.Weight [Kg]	Mod.	Net.Weight [Kg]	Mod.	Net.Weight [Kg]	
PAH054_	123	PAM054_	129.5	PAL034_	141	

Drawing. 10(Plug-in version)



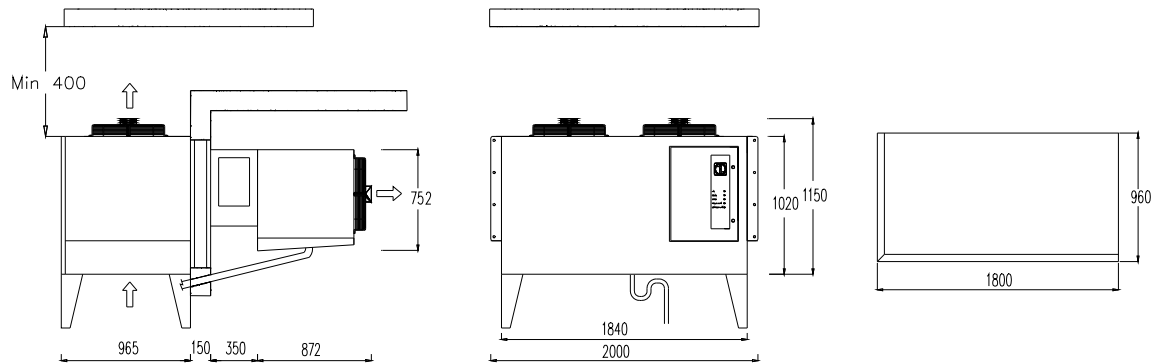
HBP/MBP		LBP		Fastening screws. M10x150
Mod.	Net.Weight [Kg]	Mod.	Net.Weight [Kg]	
PTM068_*	206.5	PTL060_*	227	
PTM080_*	222.5	PTL080_*	233	

Drawing. 11 (Plug-in version)



HBP/MBP		LBP		Fastening screws.
Mod.	Net.Weight [Kg]	Mod.	Net.Weight [Kg]	
PTM110_*	266	PTL130_*	329.5	M10x150
PTM140_*	290.5	PTL180_*	349.5	
PTM200_*	370.5	PTL200_*	406.5	
		PTL260_*	411	

Drawing. 12 (Plug-in version)

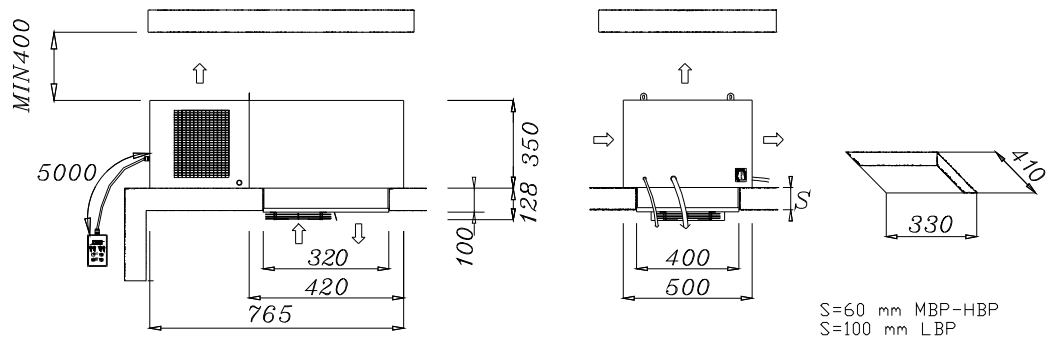


HBP/MBP		LBP		Fastening screws.
Mod.	Net.Weight [Kg]	Mod.	Net.Weight [Kg]	
PTM300_*	665	PTL350_*	771	M10x150
PTM370_*	746	PTL450_*	804	

***Questi modelli non sono disponibili nella versione accavallata**
 These models are not available in the saddle version

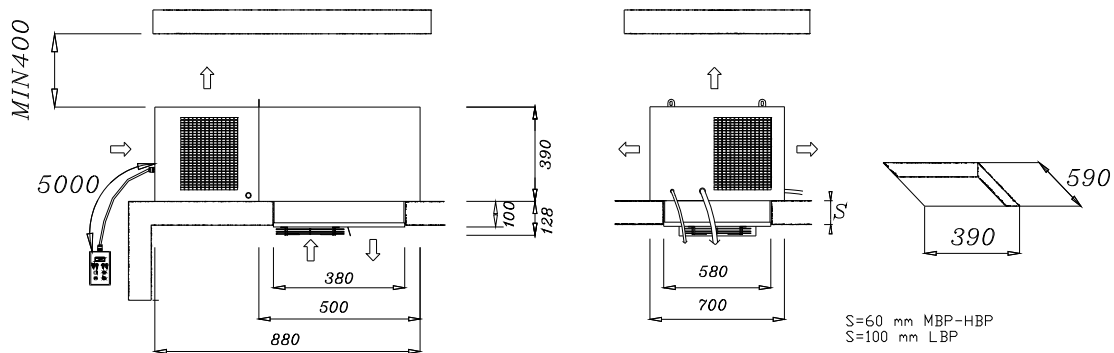
“SF” RANGE

Drawing. 13



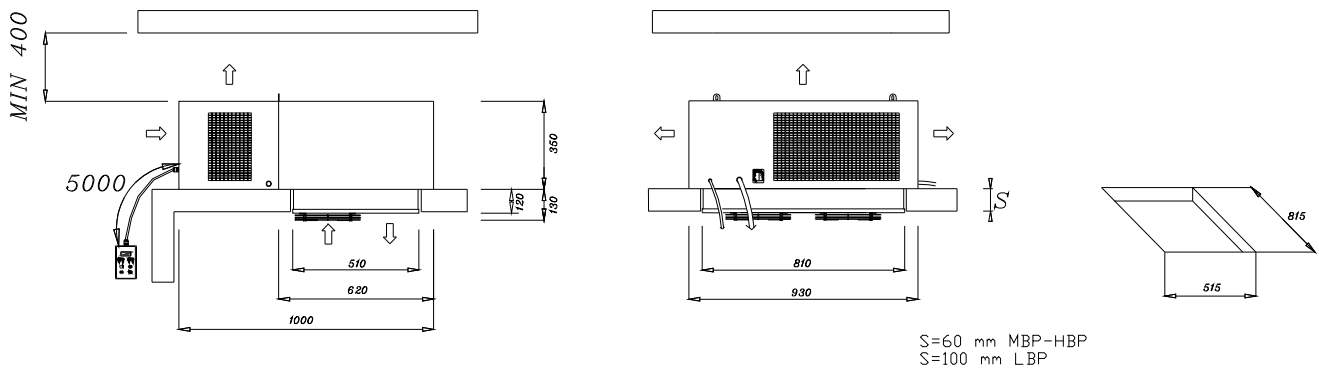
HBP		MBP		LBP		Fastening screws.
Mod.	Net.Weight [Kg]	Mod.	Net.Weight [Kg]	Mod.	Net.Weight [Kg]	
SFH003_	46.5	SFM003_	48.5	SFL003_	53.5	Self tap. 4,2x13,5

Drawing. 14



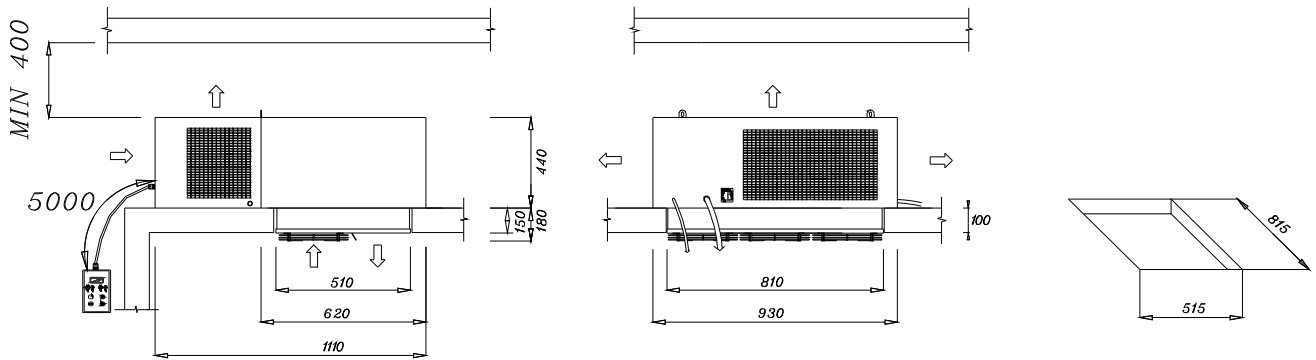
HBP		MBP		LBP		Fastening screws.
Mod.	Net.Weight [Kg]	Mod.	Net.Weight [Kg]	Mod.	Net.Weight [Kg]	
SFH006_	62	SFM006_	63	SFL006_	54	Self tap. 4,2x13,5
		SFM007_	64	SFL008_	74	

Drawing. 15



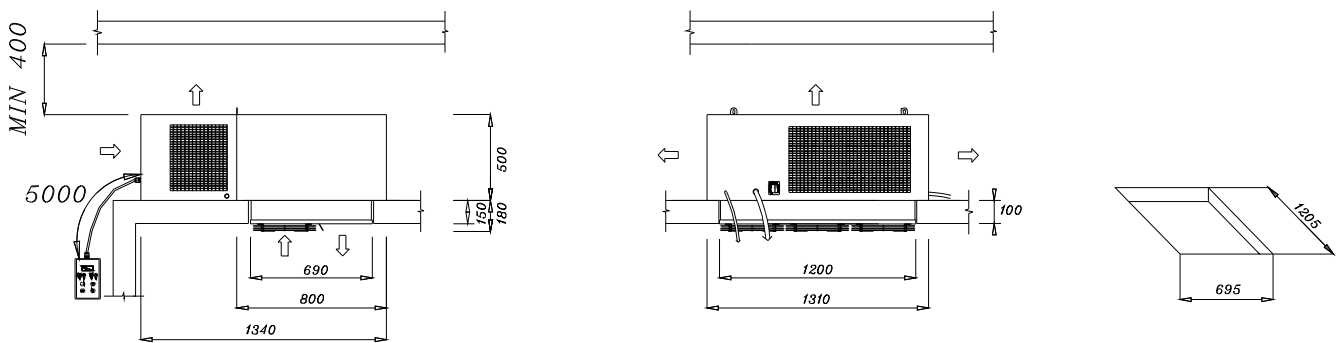
HBP		MBP		LBP		Fastening screws.
Mod.	Net.Weight [Kg]	Mod.	Net.Weight [Kg]	Mod.	Net.Weight [Kg]	
SFH009_	75	SFM009_	84	SFL009_	90	Self tap. 4,2x13,5
SFH016_	87	SFM016_	88			

Drawing. 17



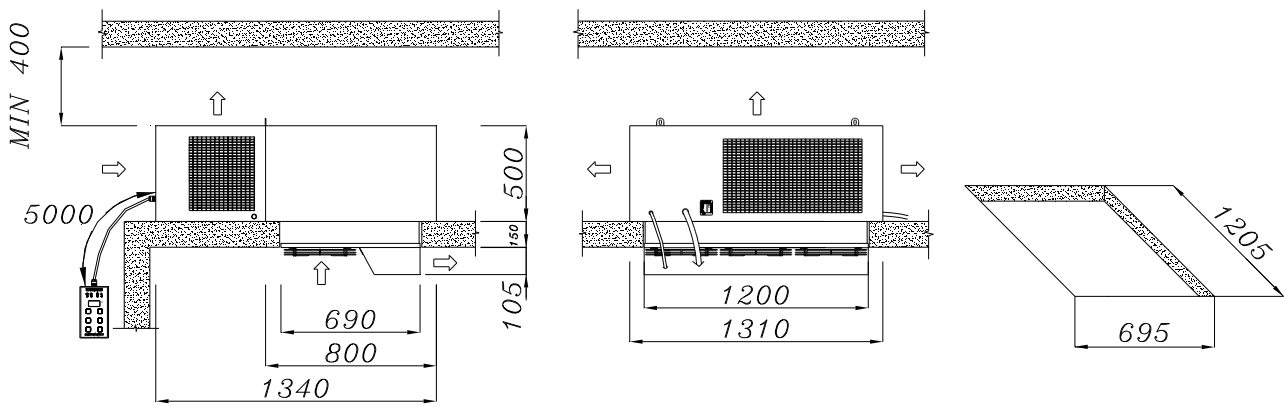
HBP		MBP		LBP		Fastening screws.
Mod.	Net.Weight [Kg]	Mod.	Net.Weight [Kg]	Mod.	Net.Weight [Kg]	
SFH022_	100	SFM022_	90	SFL012_	105.5	Self tap. 4,2x13,5
SFH034_	106	SFM034_	110	SFL016_	118.5	
				SFL020_	126	

Drawing. 17



HBP		MBP		LBP		Fastening screws.
Mod.	Net.Weight [Kg]	Mod.	Net.Weight [Kg]	Mod.	Net.Weight [Kg]	
SFH054_	180	SFM054_	174.5	SFL024_	178.5	Self tap. 4,2x13,5
				SFL034_	192	

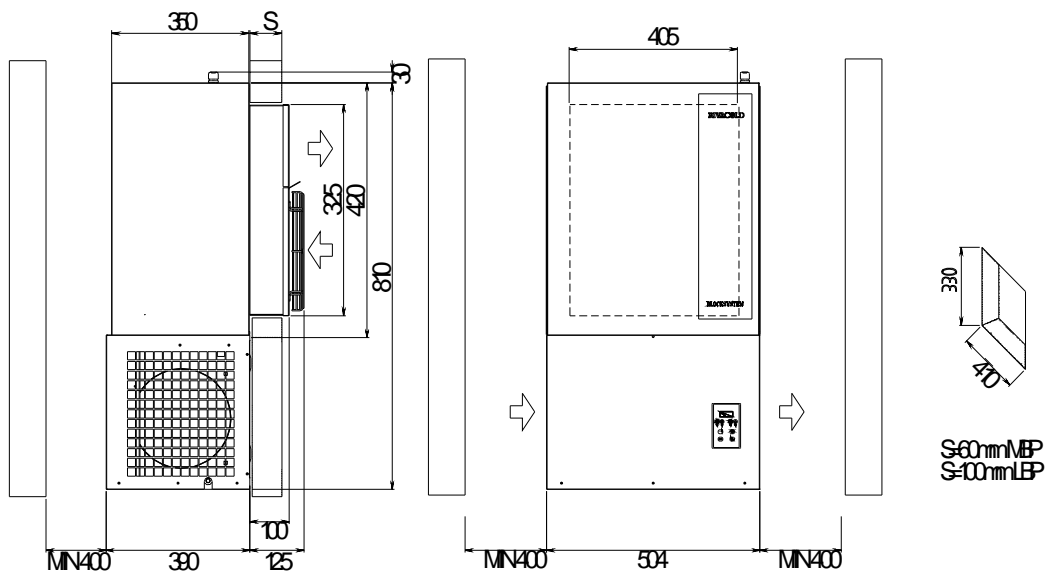
Drawing. 18



MBP		LBP		Fastening screws.
Mod.	Net.Weight [Kg]	Mod.	Net.Weight [Kg]	
SFM068_	193	SFL080_	200	Self tap. 4,2x13,5

“SV” RANGE

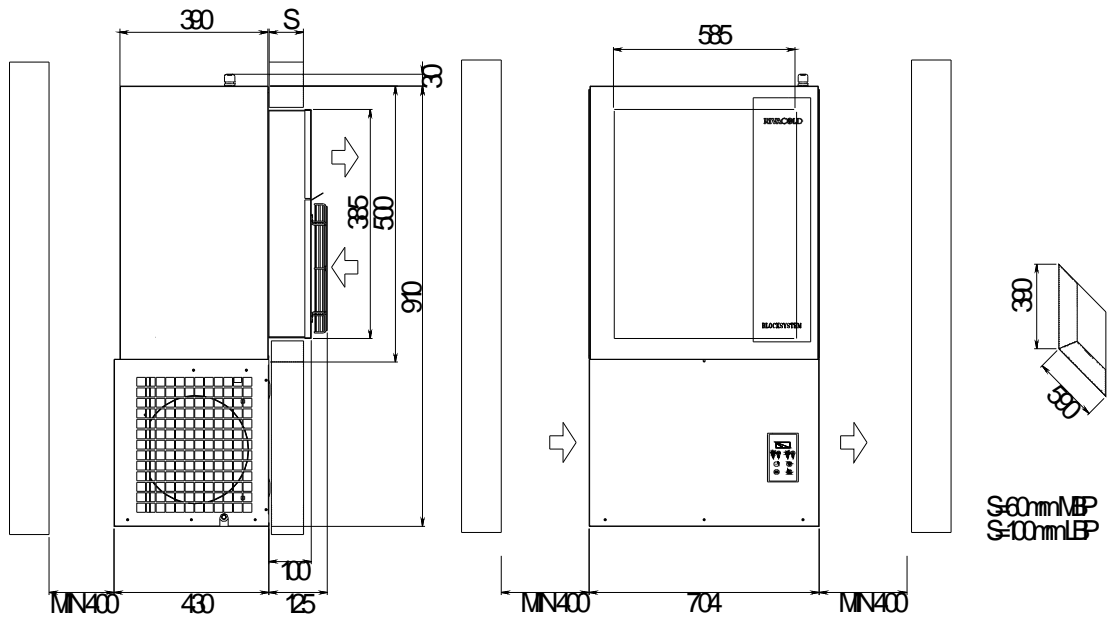
Drawing. 19



S=60mm MBP
S=100mm LBP

MBP		LBP		Fastening screws.
Mod.	Net.Weight [Kg]	Mod.	Net.Weight [Kg]	
SVM003_	53	SVL003_	61	Self tap. 4,2x13,5

Drawing. 20



MBP		LBP		Fastening screws.
Mod.	Net.Weight [Kg]	Mod.	Net.Weight [Kg]	
SVM006_	64.5	SVL006_	67.5	Self tap. 4,2x13,5
SVM007_	65	SVL008_	79	
SVM008_	77			