

11/2017

# Mod: C5FV6-BP

Production code: FU60/90 CFGE 6020152.3032



**Diamond**  
catering equipment



UK

# RANGE, GAS SOLID TOP 600-650

## Installation-Use-Maintenance



*MOD.*

_60/30 PCG...	_60/30 PCE...	_CEG/70	_65/110 CFG
_60/60 PCG...	_60/60 PCE...	_CEG/110	_65/110 CFGE
_60/90 PCG...	_60/90 PCE...	_65/40 PG/40 P	_65/110 CFGG
_60/60 CFG	_60/60 CFE	_65/40 PCG	_65/40 PCE
_60/60 CFGE	_60/60 CFE/P 2/3	_65/70 PCG	_65/70 PCE
_60/60 CFGE/P 2/3	_60/90 CFE	_65/70 CFG	_65/70 CFE
_60/90 CFGE	_60/90 CFE/P	_65/70 CFGE	_65/70 TPG
_60/90 CFGE/P	_60/40 PCE-D	_65/40 PCG/P	_65/70 TPGF
_60/40 PCG-D	_60/60 PCE-D	_65/70 PCG/P	_65/110 TPGF
_60/60 PCG-D		_65/70 CFG/P	_FPG/55
		_65/70 CFGE/P	_FPE/55

Doc.n°	252.453.00
Edition	03

<b>UK - INSTALLATION – USE - MAINTENANCE .....</b>	<b>22</b>
I. GENERAL PRESCRIPTIONS .....	22
1. DISPOSAL OF PACKING AND OF THE APPLIANCE .....	22
2. SAFETY DEVICES.....	23
II. INSTRUCTIONS FOR INSTALLATION .....	23
3. REMINDERS FOR THE INSTALLER.....	23
4. REFERENCE STANDARDS AND LAWS .....	23
5. UNPACKING.....	24
6. POSITIONING.....	24
7. CONNECTIONS.....	24
8. CONVERSION TO ANOTHER TYPE OF GAS.....	25
9. COMMISSIONING .....	26
III. INSTRUCTIONS FOR USE .....	27
10. REMINDERS FOR THE USER .....	27
11. USING THE GAS HOB .....	27
12. USING THE HOTPLATE/SIMPLE SERVICE .....	28
13. GAS OVEN 600 SERIES USE .....	29
14. GAS OVEN 650 SERIES USE .....	29
15. GAS STOCKPOT STOVE USE.....	30
16. ELECTRIC COOK TOP/ELECTRIC STOCKPOT STOVE USE.....	30
17. ELECTRIC CONVECTION OVEN USE .....	31
18. ELECTRIC MULTIFUNCTION OVEN (600 SERIES) USE.....	31
19. PROLONGED DISUSE.....	32
IV. INSTRUCTIONS FOR CLEANING .....	32
20. REMINDERS FOR CLEANING .....	32
V. INSTRUCTIONS FOR MAINTENANCE .....	33
21. REMINDERS FOR THE MAINTENANCE TECHNICIAN.....	33
22. CONVERSION TO ANOTHER TYPE OF GAS.....	33
23. COMMISSIONING .....	33
24. TROUBLESHOOTING .....	33
25. REPLACING COMPONENTS .....	34
26. CLEANING THE INTERIOR.....	36
27. MAIN COMPONENTS.....	36
VI. SCHEMI DI INSTALLAZIONE – INSTALLATIONS PLAN - INSTALLATION DIAGRAM – SCHEMA D’INSTALLATION – ESQUEMA DE INSTALACION - INSTALLATIESCHEMA'S .....	101
VII. FIGURE – ABB. – FIG. FIGURE-FIG.-IMAGE-ABB.-CIFRAS-AFBEELDINGEN.....	118
VIII. TAB1 - DATI TECNICI - TECHNICAL DATA - TECHNISCHE DATEN - CARACTERISTIQUES TECHNIQUES - DATOS TECNICOS - TECHNISCHE GEGEVENS UGELLI E REGOLAZIONI - NOZZLES AND SETTINGS - BUSES ET LES PARAMÈTRES - DUSEN UND EINSTELLUNGEN - BOQUILLAS Y LOS AJUSTES - VERSTUIVERS EN REGELINGEN.....	119
IX. TAB2 - DATI TECNICI - TECHNICAL DATA - TECHNISCHE DATEN - CARACTERISTIQUES TECHNIQUES - DATOS TECNICOS - TECHNISCHE GEGEVENS CATEGORIE E PRESSIONI - CATEGORIES AND PRESSURES - CATÉGORIES ET PRESSIONS - KATEGORIEN E DRUCK - LAS CATEGORÍAS Y LAS PRESIONES - CATEGORIEËN EN DRUK.....	120
X. TAB3 - DATI TECNICI - TECHNICAL DATA - TECHNISCHE DATEN - CARACTERISTIQUES TECHNIQUES - DATOS TECNICOS - TECHNISCHE GEGEVENS DATI TECNICI APPARECCHIATURE GAS - TECHNICAL DATA OF GAS APPLIANCES - CARACTÉRISTIQUES TECHNIQUES DES APPAREILS À GAZ - TECHNISCHE DATEN GASGERATE - DATOS TÉCNICOS DE LOS EQUIPOS DE GAS - TECHNISCHE GEGEVENS GASAPPARATUUR .....	121
XI. TAB4 - DATI TECNICI - TECHNICAL DATA - TECHNISCHE DATEN - CARACTERISTIQUES TECHNIQUES - DATOS TECNICOS- TECHNISCHE GEGEVENS DATI TECNICI APPARECCHIATURE ELETTRICHE - DATI TECNICI ATECHNICAL DATA OF ELECTRIC APPLIANCES - CARACTÈRISTIQUES TECHNIQUES DES APPAREILS ELECTRIQUES - TECHNISCHE DATEN ELEKTROGERATE - DATOS TÉCNICOS DE LOS EQUIPOS ELÉCTRICOS - TECHNISCHE GEGEVENS ELEKTRISCHE APPARATUUR .....	123

# UK - INSTALLATION – USE - MAINTENANCE

## I. GENERAL PRESCRIPTIONS



**READ THIS MANUAL CAREFULLY. IT PROVIDES IMPORTANT INFORMATION FOR SAFE INSTALLATION, USE AND MAINTENANCE OF THE APPLIANCE.**



**FAILURE TO COMPLY WITH WHAT IS PRESENTED BELOW MAY COMPROMISE THE SAFETY OF THE EQUIPMENT.**



**THE MANUFACTURER WILL NOT BE LIABLE FOR ANY DAMAGE OR INJURY RESULTING FROM FAILURE TO OBSERVING THE FOLLOWING RULES.**



**TRANSLATION OF THE ORIGINAL INSTRUCTIONS.**



**APPLIANCES NEED PRECAUTIONS FOR INSTALLATION, PLACING AND/OR FIXATION AND CONNECTION TO THE MAINS. SEE SECTION "INSTALLATION INSTRUCTIONS".**



**THE APPLIANCES NEED PRECAUTIONS FOR CLEANING. SEE THE SECTION "INSTRUCTION FOR CLEANING".**



**THE SYMBOL "HIGH VOLTAGE" IS PLACED ON A PANEL THAT GIVES ACCESS TO A PART WITH HIGH VOLTAGE.**

Keep this manual in a safe place, known to all users, so that it can be consulted throughout the working life of the appliance.

This equipment is designed for cooking food. It is intended for industrial use. Any other use is to be considered improper

This appliance is not intended for use by people (including children) with limited physical, sensory or mental abilities or without experience and knowledge of it.

Unless they are supervised or instructed in its use by a person responsible for their safety.

Do not leave the appliance unattended in presence of children and ensure that the latter do not have access to the appliance.

The appliance must be used by trained personnel. Do not leave the appliance unattended when operating.



**DO NOT STORE "FLAMMABLE MATERIALS IN CLOSE PROXIMITY TO THE APPLIANCE. FIRE HAZARD.**

The appliance must be installed in a well-ventilated room.

Inadequate ventilation causes asphyxia. Do not obstruct the ventilation system of the place where the

appliance is installed. Do not obstruct the vents or ducts of this or other appliances.

In the event of an appliance fault or malfunction, shut the gas shut-off valve and/or switch the appliance off at the main switch installed upstream.

Installation and conversion to a different type of gas must be carried out by qualified technicians authorized by the manufacturer, in compliance with current safety standards and the instructions in this manual.

Appliance maintenance and conversion to a different type of gas must be carried out by qualified technicians authorized by the manufacturer, in compliance with current safety standards and the instructions in this manual.

Clean the appliance following the instructions given in Chapter "INSTRUCTIONS FOR CLEANING".

## 1. DISPOSAL OF PACKING AND OF THE APPLIANCE

### PACKING

The packing is made using environmentally friendly materials. The plastic recyclable components are:

- the transparent cover, the bags containing the instructions manual and nozzles (made of Polyethylene - PE).
- the straps (in Polypropylene - PP).

### APPLIANCE

The appliance is manufactured 90% from recyclable metals (stainless steel, aluminium sheet, copper...).

The appliance must be scrapped in compliance with current regulations governing such disposal.

Make the appliance unusable before scrapping.

It must be disposed of properly.



**THE SYMBOL SHOWING A CROSSED-OUT WASTE CONTAINER ON THE UNIT OR PACKAGE INDICATES THAT, AT THE END OF ITS LIFE CYCLE, THE PRODUCT MUST BE COLLECTED SEPARATE FROM OTHER WASTE.**

**THE DIFFERENTIATED COLLECTION OF THIS EQUIPMENT IS ORGANISED AND MANAGED BY THE PRODUCER.**

**THE USER WHO INTENDS TO GET RID OF THIS EQUIPMENT SHALL CONTACT THE PRODUCER AND FOLLOW THE SYSTEM THAT THE LATTER HAS USED IN ORDER TO COLLECT THE EQUIPMENT SEPARATELY AT THE END OF ITS LIFE.**

**PROPER SEPARATE COLLECTION HELPS PREVENT POSSIBLE NEGATIVE IMPACTS ON THE ENVIRONMENT AND HEALTH, AND FAVOURS THE REUSE AND/OR RECYCLING OF THE UNIT'S MATERIALS.**

**ABUSIVE DISPOSAL OF THE PRODUCT BY THE HOLDER WILL RESULT IN THE APPLICATION OF PENALTIES AS PER CURRENT STANDARDS.**

## 2. SAFETY DEVICES

### ELECTRIC OVEN

### SAFETY THERMOSTAT



**THE MANUFACTURER WILL NOT BE LIABLE FOR ANY DAMAGE OR INJURY RESULTING FROM FAILURE TO OBSERVING THE FOLLOWING RULES.**

The appliance is equipped with a manual reset safety thermostat that interrupts heating when the operating temperature exceeds the maximum permitted value.

To restore appliance operation, remove the control panel and press the thermostat reset button. This procedure must only be carried out by a qualified, authorized technician.

## II. INSTRUCTIONS FOR INSTALLATION

### 3. REMINDERS FOR THE INSTALLER



**READ THIS MANUAL CAREFULLY. IT PROVIDES IMPORTANT INFORMATION FOR SAFE INSTALLATION, USE AND MAINTENANCE OF THE APPLIANCE. FAILURE TO COMPLY WITH WHAT IS PRESENTED BELOW MAY COMPROMISE THE SAFETY OF THE EQUIPMENT.**



**THE MANUFACTURER WILL NOT BE LIABLE FOR ANY DAMAGE OR INJURY RESULTING FROM FAILURE TO OBSERVING THE FOLLOWING RULES.**



Identify the specific appliance model. The model number is detailed on the packing and on the appliance dataplate.

The appliance must be installed in a well-ventilated room.

Installation and conversion to a different type of gas must be carried out by qualified technicians authorized by the manufacturer, in compliance with current safety standards and the instructions in this manual.

Appliance maintenance and conversion to a different type of gas must be carried out by qualified technicians authorized by the manufacturer, in compliance with current safety standards and the instructions in this manual.

Do not obstruct any air vents or drains present on the appliance.

Do not tamper with appliance components.

## 4. REFERENCE STANDARDS AND LAWS

Install the appliance in accordance with the safety standards in force in the country.

## 5. UNPACKING

Check the state of the packing and in the event of damage, ask the delivery person to inspect the goods.

Remove the packing.

Remove the protective film from the outer panels.

Use a suitable solvent to remove any residual adhesive from the panels.

## 6. POSITIONING

The overall dimensions of the appliance and the position of connections are given on the installation diagram at the end of this manual.

The appliance can be installed singly or in combination with other appliances in the same product range.

The appliance is not suitable for integrated installation.

Position the appliance at least 10 cm from adjacent walls.

If the appliance is to be placed near walls, dividers, kitchen furniture, decorative elements etc. this must be made of non-combustible materials

Otherwise, they must be covered with suitable non-combustible heat insulating materials.

Level the appliance by means of the height-adjustable feet

### **APPLIANCE ASSEMBLY WITH BASE AND BRIDGE**

Follow the instructions provided with the type of support utilized.

### **FUMES EXHAUST SYSTEM**

Create a fumes exhaust system based on the "Type " of appliance. The " Type " is stated on the appliance dataplate.

#### **" A1 " TYPE APPLIANCE**

Position the "A1" type appliance below an extractor hood to ensure smoke and fumes generated by cooking are removed.

#### **" B21 " TYPE APPLIANCE**

Position the "B21" type appliance below an

extractor hood.

#### **" B11 " TYPE APPLIANCE**

Fit the "B11" type appliance with a suitable flue, available from the appliance manufacturer. Follow the assembly instructions provided with the flue.

Connect the flue to a 150/155 mm diameter hose, heat resistant to 300°C.

Vent to the outside or into an efficient flue. The hose length must not exceed 3 metres.

## 7. CONNECTIONS

The position and dimensions of connections are given in the installation diagram at the end of this manual.

### **CONNECTION TO THE GAS SUPPLY**

Check that the appliance is designed to operate with the type of gas supply present on site. Check the information given on the decals on the packing and appliance.

Convert the appliance to the local gas type, if necessary. Follow the instructions at the next paragraph "Conversion to a different type of gas".

On top appliances a rear connection is also available. Remove the plug present and screw it tightly onto the front connector.

A rapid-action gas shut-off valve must be fitted upstream of the appliance in an easily accessible position.

Do not use connection pipes having a diameter smaller than that of the appliance's gas connector.

Once the appliance has been installed, check for gas leaks at the connection points.

### **ELECTRICAL CONNECTIONS**

Check if the appliance is designed to operate at the voltage and frequency of the power supply present on site. Check the details given on the appliance dataplate and plaque near the terminal board.

Install upstream of the equipment in an easily accessible place, an all-pole disconnecting device with a contact gap of allowing full disconnection under the conditions of overvoltage category III.

A flexible rubber cable with insulation specifications not lower than type H05 RN-F must be used for connection.

Connect the power supply cable to the terminal board as shown in the wiring diagram supplied with the appliance.

Secure the power supply cable with the cable clamp.


Protect the power supply cable on the outside of the appliance with a rigid plastic or metal pipe.


If the power supply cable is damaged, it must be replaced by the manufacturer or his service centre or by a person with similar qualifications to prevent any risk.



**THE SYMBOL " HIGH VOLTAGE" IS PLACED ON A PANEL THAT GIVES ACCESS TO A PART WITH HIGH VOLTAGE.**

### **PROTECTIVE EARTH AND EARTH BONDING CONNECTIONS**

Connect the appliance to an efficient ground circuit. Connect the earth conductor to the terminal with the symbol  next to the main terminal board.

Connect the metal structure of the appliance to the equipotential node. Connect the conductor to the terminal with the symbol  on the outside part of the bottom.

### **CONNECTION TO THE WATER SUPPLY**

The appliance must be connected to a potable water supply. The water inlet pressure must be between 150 kPa and 300 kPa. Use a pressure reducer if the inlet pressure is above the maximum permitted level.

Install a mechanical filter and a shut-off valve upstream of the appliance in an easily accessible point.

Make sure the water circuit is free of ferrous particles before connecting the filter and the appliance.

Seal any unused connectors with a plug.

Once the appliance has been installed, check for gas leaks at the connection points.

### **CONNECTION TO THE WATER DRAIN**

The water drainage system must be made using materials resistant to temperatures of 100 °C. The bottom of the appliance must not be subjected to steam produced by drainage of hot water.

Install a siphoned floor drain with grating below the water drain cock of Boiling pans and in front of Bratt pans.



## **8. CONVERSION TO ANOTHER TYPE OF GAS**

Table Tab1 specifies:

- which gas can be used for the appliance.
- the nozzles and settings for each gas that can be used.

For nozzles, the number indicated in table TAB1 is also stamped on the body of nozzles.

To convert the appliance to the local gas type, follow the instructions given in TAB1 and carry out the steps below:

- Replace the main burner nozzle (UM).
- Adjust the main burner's air regulator to distance A.
- Replace the pilot burner nozzle (UP).
- Adjust the pilot burner air flow (if necessary).
- Replace the gas valve minimum nozzle (Um).
- Affix the adhesive tab indicating the new type of gas used.
- The nozzles and adhesive tabs are supplied with the appliance.

### **GAS HOB**

#### **REPLACING THE MAIN BURNER NOZZLE**

Remove the control panel.

Remove pan stand grids, basins and burners.

Remove nozzle UM and replace it with the one indicated in table TAB1.

Retighten nozzle UM.

Reassemble all parts. For assembly, proceed in reverse order.

#### **REPLACING THE MINIMUM ADJUSTMENT SCREW**

Remove the control panel.

Remove nozzle UM and replace it with the one indicated in table TAB1.

Retighten nozzle UM.

Reassemble all parts. For assembly, proceed in reverse order.

### **GAS SOLID TOP RANGES**



### **REPLACING THE NOZZLE AND THE MAIN BURNER PRIMARY AIR REGULATION**

Remove the control panel.  
Remove nozzle UM and replace it with the one indicated in table TAB1.  
Retighten nozzle UM.  
Slacken screw V and position the air regulator at distance A as indicated in table TAB1.  
Retighten screw V fully.  
Reassemble all parts. For assembly, proceed in reverse order.

### **REPLACING THE MINIMUM ADJUSTMENT SCREW**

Remove the control panel.  
Remove nozzle UM and replace it with the one indicated in table TAB1.  
Retighten nozzle UM.  
Reassemble all parts. For assembly, proceed in reverse order.

### **REPLACING THE PILOT BURNER NOZZLE**

Remove the control panel and internal guards.  
Undo connector R.  
Remove nozzle UP and replace it with the one indicated in table TAB1.  
Retighten connector R. Reassemble all parts.  
Following, in reverse order, the sequence used for their removal.

## **GAS OVEN**

### **REPLACING THE NOZZLE AND THE MAIN BURNER PRIMARY AIR REGULATION**

Open the oven door.  
remove the sole and the protection panel  
Slacken screw V.  
remove the UM nozzle.  
Retighten nozzle UM.  
Place the aeration adjuster at the distance A specified in the table TAB1.  
Retighten screw V fully.  
Reassemble all parts. For assembly, proceed in reverse order.

### **REPLACING THE MINIMUM ADJUSTMENT SCREW**

Remove the control panel.  
Remove nozzle UM and replace it with the one

indicated in table TAB1.  
Retighten nozzle UM.  
Reassemble all parts. For assembly, proceed in reverse order.

## **GAS STOCKPOT STOVE**

### **REPLACING THE NOZZLE AND THE MAIN BURNER PRIMARY AIR REGULATION**

Remove the control panel.  
Remove nozzle UM and replace it with the one indicated in table TAB1.  
Retighten nozzle UM.  
Slacken screw V and position the air regulator at distance A as indicated in table TAB1.  
Retighten screw V fully.  
Reassemble all parts. For assembly, proceed in reverse order.

### **REPLACING THE MINIMUM ADJUSTMENT SCREW**

Remove the control panel.  
Remove nozzle UM and replace it with the one indicated in table TAB1.  
Retighten nozzle UM.  
Reassemble all parts. For assembly, proceed in reverse order.

### **REPLACING THE PILOT BURNER NOZZLE**

Remove the control panel.  
Undo connector R.  
Remove nozzle UP and replace it with the one indicated in table TAB1.  
Retighten connector R. Reassemble all parts.  
Following, in reverse order, the sequence used for their removal.

## **9. COMMISSIONING**

Following installation, conversion to a different type of gas or any maintenance operations, check appliance operation. In the event of any malfunction, consult the next Paragraph " Troubleshooting " .

## **GAS APPLIANCES**

Switch on the appliance as directed in the instructions and reminders for use given in



Chapter " INSTRUCTIONS FOR USE " and check:

- the gas supply pressure (see next Paragraph).
- the correct ignition of the burners and the effectiveness of the fumes removal system.

### **CHECKING THE GAS SUPPLY PRESSURE**

To measure the gas supply pressure use a manometer with a minimum definition of 0,1 mbar.

Remove the control panel.

Remove the screw from on pressure test point PP and connect the manometer to the test point.

Make the measurement with the appliance in operation.



**IMPORTANT! IF THE GAS SUPPLY PRESSURE IS NOT WITHIN THE LIMITS (MIN. - MAX) INDICATED IN TABLE TAB2, CEASE OPERATION OF THE APPLIANCE AND CONTACT THE GAS UTILITY COMPANY.**

Disconnect the manometer and retighten the retaining screw on the pressure connection.

### **ELECTRIC EQUIPMENT**

Switch on the appliance as directed in the instructions and reminders for use given in Chapter " INSTRUCTIONS FOR USE " and check:

- the current values of each phase.
- the correct operation of the heating elements.

## **III. INSTRUCTIONS FOR USE**

### **10. REMINDERS FOR THE USER**



**READ THIS MANUAL CAREFULLY. IT PROVIDES IMPORTANT INFORMATION FOR SAFE INSTALLATION, USE AND MAINTENANCE OF THE APPLIANCE. THE MANUFACTURER WILL NOT BE LIABLE FOR ANY DAMAGE OR INJURY RESULTING FROM FAILURE TO OBSERVING THE FOLLOWING RULES.**



For after-sales service, contact technical assistance centres authorized by the manufacturer and demand the use of original spare parts.

Have the appliance serviced at least twice a year. The manufacturer recommends taking out a

service contract.

The appliance is designed for professional use and must be operated by trained personnel.

The appliance is to be used for cooking food as specified in the prescriptions for use. Any other use is considered to be improper.

Do not allow the appliance to operate empty for prolonged periods. Only pre-heat the oven just before use.

Do not leave the appliance unattended while in operation.

In the event of an appliance fault or malfunction, shut the gas shut-off valve and/or switch the appliance off at the main switch installed upline.

Clean the appliance following the instructions given in Chapter " INSTRUCTIONS FOR CLEANING".



**DO NOT STORE " AMMABLE MATERIALS IN CLOSE PROXIMITY TO THE APPLIANCE. FIRE HAZARD.**

Do not obstruct any air vents or drains present on the appliance.

Do not tamper with appliance components.

Keep this manual in a safe place, known to all users, so that it can be consulted throughout the working life of the appliance.

Installation and appliance maintenance must be carried out by qualified technicians authorized by the manufacturer, in compliance with current safety standards and the instructions in this manual.

Appliance maintenance and conversion to a different type of gas must be carried out by qualified technicians authorized by the manufacturer, in compliance with current safety standards and the instructions in this manual.

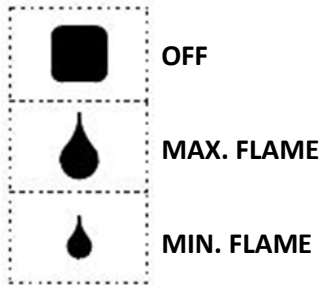
### **11. USING THE GAS HOB**

The appliance is designed for cooking foods contained in pots and pans.

Check that the flame spreaders are correctly placed on the burners.

#### **BURNER IGNITION AND EXTINCTION**

The gas tap control knob has the following positions:



### **MAIN BURNER IGNITION**

To switch on the pilot burner rotate the knob from the “off” position to the “maximum flame” position

For the minimum flame, turn the knob from “max. flame” to “min. flame”.

### **TURNING OFF**

to switch off the main burner turn the knob to the "off" position.

## **12. USING THE GAS HOB**

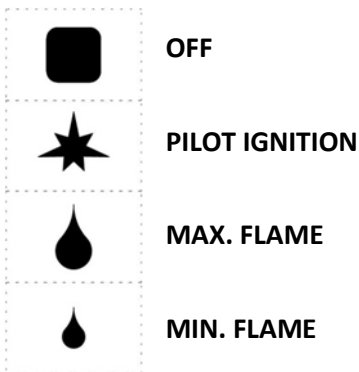
The appliance is designed for cooking foods contained in pots and pans.

The highest temperatures are in the centre of the hotplate.

Check that the flame spreader is correctly placed on the burner. Raise the central disc on the hotplate.

### **BURNER IGNITION AND EXTINGUISHION**

The gas tap control knob has the following positions:



### **PILOT IGNITION**

Press and turn knob to “pilot on”.

Press the knob down fully and light the pilot using the piezoelectric igniter.

Hold the knob down for about 20 seconds before releasing it. If the pilot flame goes out, repeat the operation.

The pilot flame can be seen through the peep hole on the control panel.

The pilot light can be lit by bringing an open flame up to the nozzle. Raise the central disc on the hotplate.

### **MAIN BURNER IGNITION**

To light the main burner, turn the knob from “pilot on” to “max. flame”.

For the minimum flame, turn the knob from “max. flame” to “min. flame”.

### **TURNING OFF**

Turn the knob from “max. flame” or “min. flame” to “pilot on”.

To shut off the pilot, press the knob lightly and turn it to “off”.

## **13. USING THE HOTPLATE/SIMPLE SERVICE**

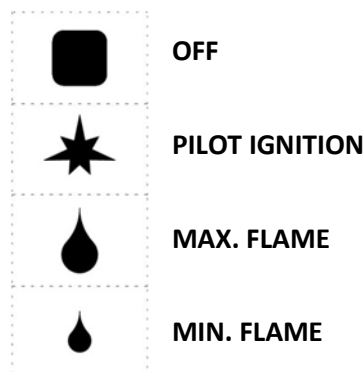
The appliance is designed for cooking foods contained in pots and pans.

The highest temperatures are in the centre of the hotplate.

Check that the flame spreader is correctly placed on the burner. Raise the central disc on the hotplate.

### **BURNER IGNITION AND EXTINGUISHION**

The gas tap control knob has the following positions:



### **PILOT IGNITION**

Press and turn knob to “pilot on”.

Press the knob down fully and light the pilot using the piezoelectric igniter.

Hold the knob down for about 20 seconds before releasing it. If the pilot flame goes out, repeat the operation.

The pilot flame can be seen through the peep hole on the control panel.

The pilot light can be lit by bringing an open flame up to the nozzle. Raise the central disc on the hotplate.

**MAIN BURNER IGNITION**

To light the main burner, turn the knob from “pilot on” to “max. flame”.

For the minimum flame, turn the knob from “max. flame” to “min. flame”.

**TURNING OFF**

Turn the knob from “max. flame” or “min. flame” to “pilot on”.

To shut off the pilot, press the knob lightly and turn it to “off”.

**14. GAS OVEN 600 SERIES USE**

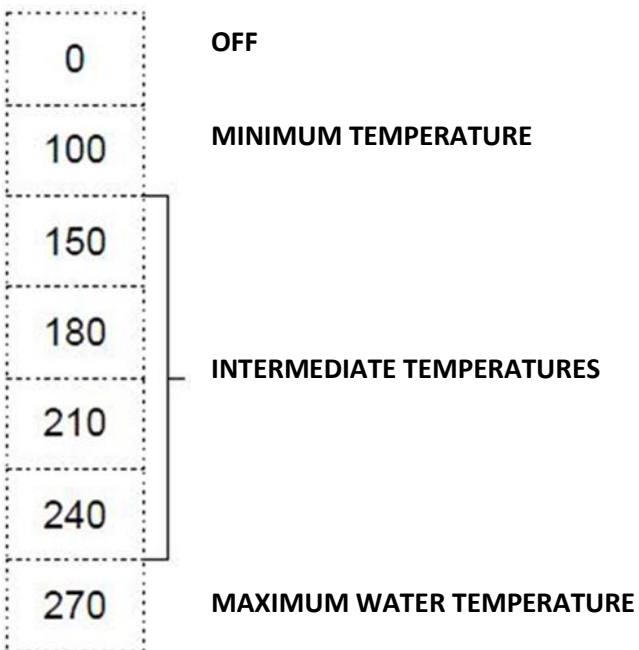
The appliance is designed for cooking foods placed on the grilles provided. Do not leave the door even partially open during use.



**ATTENTION: WHEN THE OVEN GAS MODE IS ON THE GRILL DOESN'T WORK**

**BURNER IGNITION AND EXTINGUISHION**

The thermostat control knob has the following positions:



**MAIN BURNER IGNITION**

Turn the knob to the chosen temperature setting for cooking.

Press the knob for 5-10 seconds. The burner is turned on electrically.

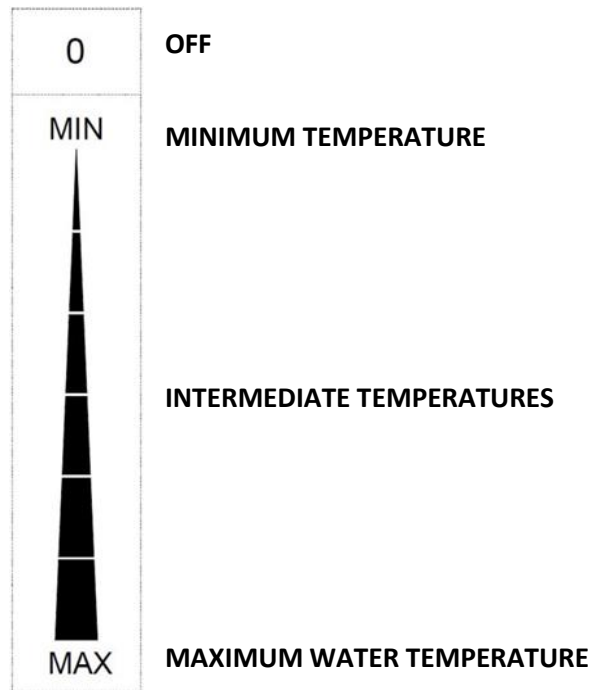
If the burner doesn't turn on, open the oven door for 1 minute and repeat the operation.

**TURNING OFF**

to switch off the main burner turn the knob to the "off" position.

**ELECTRIC GRILL SWITCH ON/OFF**

The energy regulator control knob has the following positions:



**ELECTRIC GRILL SWITCH ON**

Turn the energy regulator knob to any position between “MIN” and “MAX”.

The yellow and the internal oven indicator lamps turn on.

**TURNING OFF**

Turn the energy regulator knob to position " Off " .

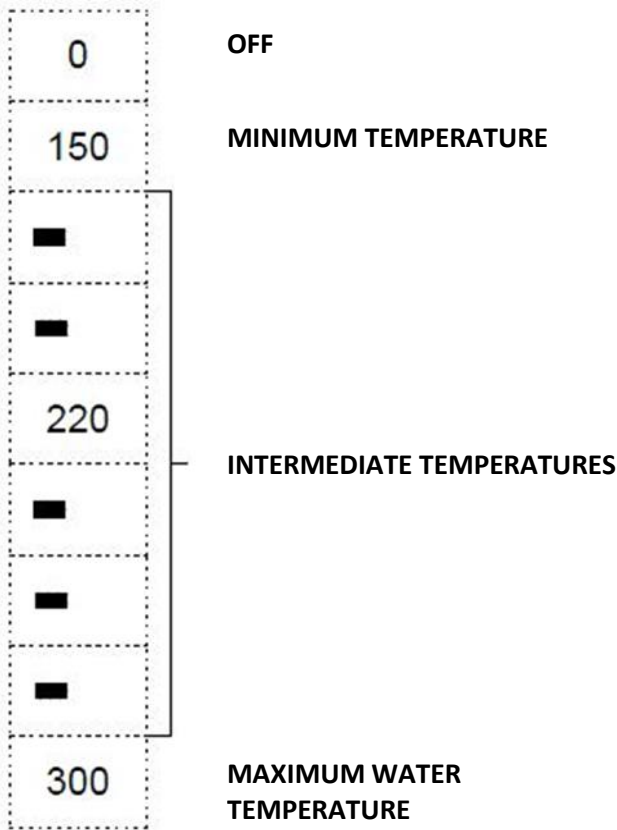
**15. GAS OVEN 650 SERIES USE**

The appliance is designed for cooking foods placed on the grilles provided.

Do not leave the door even partially open during use.

## BURNER IGNITION AND EXTINGUISHION

the control knob of the thermostatic tap has the following positions use:



### MAIN BURNER IGNITION

Turn the knob to the chosen temperature setting for cooking.

Press the knob down simultaneously with the piezoelectric unit. Press the knob down for 10-15 seconds and then leave it; the pilot burner will remain on.

If it turns off, repeat the operation.

### TURNING OFF

to switch off the main burner turn the knob to the "off" position.

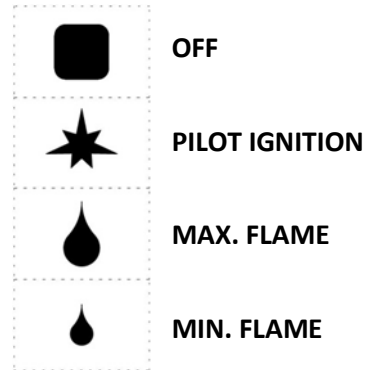
## 16. GAS STOCKPOT STOVE USE

The appliance is designed for cooking foods contained in pots and pans.

Check that the flame spreaders are correctly placed on the burners.

## BURNER IGNITION AND EXTINGUISHION

The gas tap control knob has the following positions:



### PILOT IGNITION

Press and turn knob to "pilot on".

Press the knob down fully and light the pilot with a flame.

Hold the knob down for about 20 seconds before releasing it. If the pilot flame goes out, repeat the operation.

### MAIN BURNER IGNITION

To light the main burner, turn the knob from "pilot on" to "max. flame".

For the minimum flame, turn the knob from "max. flame" to "min. flame".

### TURNING OFF

Turn the knob from "max. flame" or "min. flame" to "pilot on".

To shut off the pilot, press the knob lightly and turn it to "off".

## 17. ELECTRIC COOK TOP/ELECTRIC STOCKPOT STOVE USE

The appliance is designed for cooking foods contained in pots and pans.

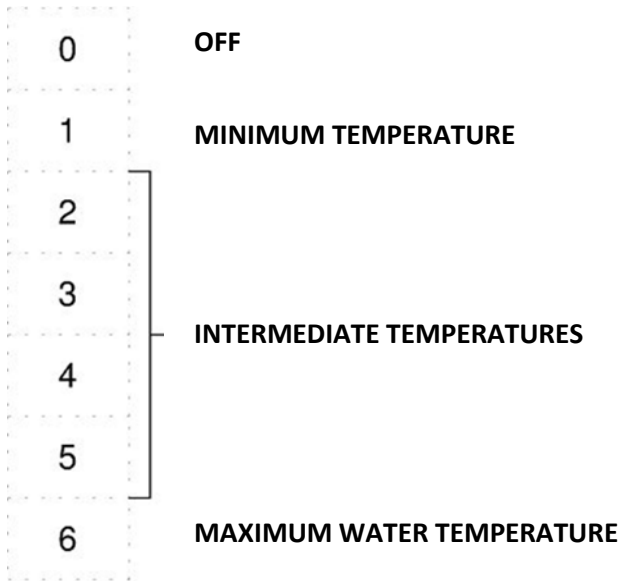
Use flat bottomed pans.

Do not leave the hotplates switched on with no pan or an empty pan in place.

Do not pour cold liquids onto the hot hotplate.

### **SWITCHING ON AND OFF**

The control knob has the following positions:



#### **SWITCHING ON**

Turn the control knob to the chosen position.  
The green indicator light switches on.  
Lighting up of green indicator "A" signals that the corresponding hot-plate is on.

#### **TURNING OFF**

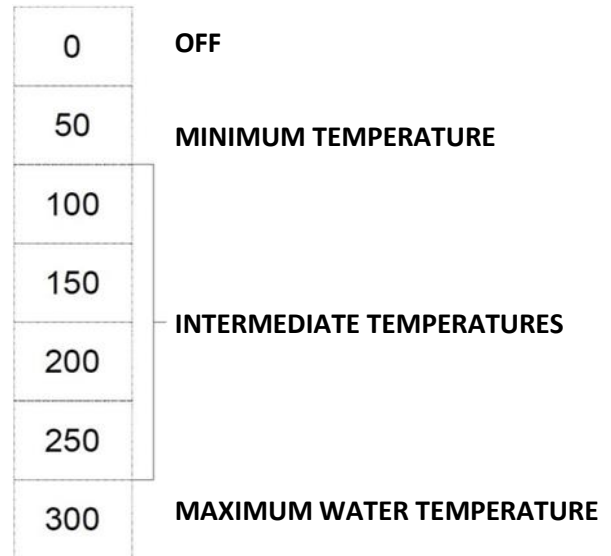
Turn the knob to position " 0 " .  
The green indicator light switches off.

### **18. ELECTRIC CONVECTION OVEN USE**

The appliance is designed for cooking foods placed on the grilles provided.  
Do not leave the door even partially open during use.  
The appliance is equipped with a manual reset safety thermostat that interrupts heating when the operating temperature exceeds the maximum permitted value.

#### **SWITCHING ON AND OFF**

The thermostat control knob has the following positions:



#### **SWITCHING ON**

Turn the thermostat knob to the chosen temperature setting for cooking.  
the yellow and the green indicator lamp turn on.  
The yellow indicator light switches off when the oven reaches the set temperature.  
the green lamp indicate that the appliance is under voltage

#### **TURNING OFF**

Turn the thermostat knob to position " 0 " .  
the yellow and the green indicator lamp turn off.






### **19. ELECTRIC MULTIFUNCTION OVEN (600 SERIES) USE**

The appliance is designed for cooking foods placed on the grilles provided.  
Do not leave the door even partially open during use.  
The appliance is equipped with a manual reset safety thermostat that interrupts heating when the operating temperature exceeds the maximum permitted value.

#### **SWITCHING ON AND OFF**

The electric oven is controlled by two knobs (for selecting the type of heating and the cooking temperature). A yellow indicator light indicates operation of the heating elements.

The control knob has the following positions:

0	OFF
	OVEN LAMP
	UPPER AND LOWER HEATING ELEMENTS
	UPPER AND INNER HEATING ELEMENTS WITH FAN
	GRILL HEATING ELEMENT
	GRILL HEATING ELEMENT WITH FAN

The thermostat control knob has the following positions:

0	OFF
50	MINIMUM TEMPERATURE
100	INTERMEDIATE TEMPERATURES
150	
200	
250	
MAX	MAXIMUM WATER TEMPERATURE

### SWITCHING ON

Turn the control knob to the chosen position.  
 Turn the thermostat knob to the chosen temperature setting for cooking.  
 the yellow and the green indicator lamp turn on.  
 The yellow indicator light switches off when the oven reaches the set temperature.  
 the green lamp indicate that the appliance is under voltage

### TURNING OFF

Turn the thermostat knob to position " 0 " .  
 Turn the knob to position " 0 " .

## 20. PROLONGED DISUSE

Before any prolonged disuse of the appliance, proceed as follows:

- Clean the appliance thoroughly.
- Rub stainless steel surfaces with a cloth soaked in vaseline oil to create a protective film.
- Leave pot lids open.
- Close cocks or main switches ahead of the appliances.

Following prolonged disuse, proceed as follows:

- Inspect the appliance thoroughly before using it again.
- Allow electric appliances to operate at the lowest temperature for at least 60 minutes.

## IV. INSTRUCTIONS FOR CLEANING

### 21. REMINDERS FOR CLEANING



**READ THIS MANUAL CAREFULLY. IT PROVIDES IMPORTANT INFORMATION FOR SAFE INSTALLATION, USE AND MAINTENANCE OF THE APPLIANCE. THE MANUFACTURER WILL NOT BE LIABLE FOR ANY DAMAGE OR INJURY RESULTING FROM FAILURE TO OBSERVING THE FOLLOWING RULES. DISCONNECT THE APPLIANCE ELECTRIC SUPPLY, IF PRESENT, BEFORE CARRYING OUT ANY OPERATION.**



Clean the satin finish stainless steel exterior surfaces, the cooking wells and the surface of the hotplates every day.

At least twice a year, have an authorized technician clean the internal parts of the appliance.

Do not use corrosive products to clean the floor beneath the appliance.

Do not use direct or high pressure water jets to clean the appliance.

### SATIN FINISH STAINLESS STEEL SURFACES

Clean the surfaces with a cloth or sponge using water and proprietary non-abrasive detergents. Follow the direction of the satin finish lines. Rinse

repeatedly and dry thoroughly.

Do not use pan scourers or other iron items.  
Do not use chemical products containing chlorine.  
Do not use sharp objects which might scratch and damage the surfaces.

### **ELECTRIC HOTPLATES**

Clean surfaces with a damp cloth.  
Switch on for a few minutes to dry rapidly.  
Lubricate surfaces with a fine coat of food grade oil.

### **HOTPLATE RANGE**

Clean surfaces with a damp cloth.  
Switch on for a few minutes to dry rapidly.  
Lubricate surfaces with a fine coat of food grade oil.

## **v. INSTRUCTIONS FOR MAINTENANCE**

## **22. REMINDERS FOR THE MAINTENANCE TECHNICIAN**



**THE MANUFACTURER WILL NOT BE LIABLE FOR ANY DAMAGE OR INJURY RESULTING FROM FAILURE TO OBSERVING THE FOLLOWING RULES.**

Identify the specific appliance model. The model number is detailed on the packing and on the appliance dataplate.

The appliance must be installed in a well-ventilated room.

Do not obstruct any air vents or drains present on the appliance.

Do not tamper with appliance components.

Appliance maintenance and conversion to a different type of gas must be carried out by qualified technicians authorized by the manufacturer, in compliance with current safety standards and the instructions in this manual.

## **23. CONVERSION TO ANOTHER TYPE OF GAS**

See Chapter “ Instructions for installation “.

## **24. COMMISSIONING**

See Chapter “ Instructions for installation “.

## **25. TROUBLESHOOTING**

### **GAS HOB**

#### **THE MAIN BURNER DOESN'T TURN ON**

Possible causes:

- Insufficient gas supply pressure.
- Blocked tubing or nozzle.
- Defective gas tap or valve.
- Defective burner (gas outlet holes clogged).

#### **GAS SOLID TOP RANGES**

#### **THE PILOT BURNER DOES NOT LIGHT.**

Possible causes:

- Insufficient gas supply pressure.
- Blocked tubing or nozzle.
- Defective gas tap or valve.
- Igniter defective or not properly connected.
- Igniter or igniter wire defective.

#### **PILOT BURNER GOES OUT DURING USE.**

Possible causes:

- Insufficient gas supply pressure.
- Defective gas tap or valve.
- Defective thermocouple or insufficient heating.
- Thermocouple incorrectly connected to gas tap or valve.
- Knob of gas tap or valve not pressed sufficiently.

#### **THE MAIN BURNER DOES NOT LIGHT (EVEN THOUGH PILOT IS LIT).**

Possible causes:

- Insufficient gas supply pressure.
- Blocked tubing or nozzle.
- Defective gas tap or valve.
- Defective burner (gas outlet holes clogged).



## **GAS OVEN**

### **THE MAIN BURNER DOESN'T TURN ON**

Possible causes:

- Insufficient gas supply pressure.
- Blocked tubing or nozzle.
- Defective gas tap or valve.
- Defective burner (gas outlet holes clogged).

### **HEATING CANNOT BE ADJUSTED.**

Possible causes:

- Defective gas tap

## **GAS STOCKPOT STOVE**

### **THE PILOT BURNER DOES NOT LIGHT.**

Possible causes:

- Insufficient gas supply pressure.
- Blocked tubing or nozzle.
- Defective gas tap or valve.
- Igniter defective or not properly connected.
- Igniter or igniter wire defective.

### **PILOT BURNER GOES OUT DURING USE.**

Possible causes:

- Insufficient gas supply pressure.
- Defective gas tap or valve.
- Defective thermocouple or insufficient heating.
- Thermocouple incorrectly connected to gas tap or valve.
- Knob of gas tap or valve not pressed sufficiently.

### **THE MAIN BURNER DOES NOT LIGHT (EVEN THOUGH PILOT IS LIT).**

Possible causes:

- Insufficient gas supply pressure.
- Blocked tubing or nozzle.
- Defective gas tap or valve.
- Defective burner (gas outlet holes clogged).

## **ELECTRIC COOK TOP/ELECTRIC STOCKPOT STOVE**

### **THE HOTPLATE DOES NOT HEAT.**

Possible causes:

- Hotplate defective.

## **ELECTRIC OVEN**

### **THE APPLIANCE DOES NOT HEAT.**

Possible causes:

- Temperature thermostat defective.
- Heating elements defective.
- Safety thermostat tripped.

### **HEATING CANNOT BE ADJUSTED.**

Possible causes:

- Temperature thermostat defective.

## **26. REPLACING COMPONENTS**

### **REMINDERS FOR REPLACING COMPONENTS**



**SHUT THE GAS SHUT-OFF VALVE AND/OR SWITCH THE APPLIANCE OFF AT THE MAIN SWITCH INSTALLED UPSTREAM.**



**AFTER REPLACING A GAS SYSTEM COMPONENT, CHECK FOR GAS LEAKS AT CONNECTION POINTS.**



**DISCONNECT THE APPLIANCE ELECTRIC SUPPLY, IF PRESENT, BEFORE CARRYING OUT ANY OPERATION.**



**AFTER REPLACING AN ELECTRICAL SYSTEM COMPONENT, CHECK IT IS CORRECTLY WIRED.**

## **GAS HOB**

### **REPLACING THE GAS TAP.**

- Remove the control panel.
- Remove and replace the component.
- Reassemble all parts. For assembly, proceed in reverse order.

## **GAS SOLID TOP RANGES**

### **REPLACING THE GAS TAP AND PIEZO IGNITER.**

- Remove the control panel.

- Remove and replace the component.
- Reassemble all parts. For assembly, proceed in reverse order.

***REPLACING THE MAIN BURNER, PILOT BURNER, THERMOCOUPLE AND IGNITER.***

- Remove the hotplate.
- Remove the control panel and internal guards.
- Remove and replace the component.
- Reassemble all parts. For assembly, proceed in reverse order.

***GAS OVEN***

***THERMOSTATIC TAP AND PIEZOELECTRIC UNIT REPLACEMENT***

- Remove the control panel.
- Remove the bulb from its seat on the side of the oven.
- Remove and replace the component.
- Reassemble all parts. For assembly, proceed in reverse order.

***REPLACING THE BURNER***

- Open the oven door.
- Remove the floor and the plate positioned on top of the burner.
- Remove and replace the component.
- Reassemble all parts. For assembly, proceed in reverse order.

***REPLACING THE THERMOCOUPLE***

- Remove the control panel.
- Open the oven door.
- Remove the floor and the plate positioned on top of the burner.
- Remove and replace the component.
- Reassemble all parts. For assembly, proceed in reverse order.

***GAS STOCKPOT STOVE***

***REPLACING THE GAS TAP.***

- Remove the control panel.
- Remove and replace the component.

- Reassemble all parts. For assembly, proceed in reverse order.

***REPLACING THE MAIN BURNER, PILOT BURNER, THERMOCOUPLE AND IGNITER.***

- Remove the control panel.
- Remove and replace the component.
- Reassemble all parts. For assembly, proceed in reverse order.

***ELECTRIC COOK TOP/ELECTRIC STOCKPOT STOVE***

***REPLACING THE KNOB AND INDICATOR LIGHT***

- Remove the control panel.
- Remove and replace the component.
- Reassemble all parts. For assembly, proceed in reverse order.

***REPLACING THE HOTPLATE.***

- Remove the control panel and internal guards.
- Remove and replace the component. Screw spacer M8 taken from the old part onto the new one.
- Reassemble all parts. For assembly, proceed in reverse order.

***ELECTRIC OVEN***

***REPLACING THE KNOB AND INDICATOR LIGHT***

- Remove the control panel.
- Remove and replace the component.
- Reassemble all parts. For assembly, proceed in reverse order.

***REPLACING THE WORKING THERMOSTAT AND SAFETY THERMOSTAT***

- Remove the control panel.
- Remove the bulb from its seat on the side of the oven.
- Remove and replace the component.
- Reassemble all parts. For assembly, proceed in reverse order.

***REPLACING THE HEATING ELEMENT***

- Remove the oven floor (only for lower heating elements).

- Undo the screw securing the element to the oven and pull the element out by approx. 10 cm.
- Reassemble all parts. For assembly, proceed in reverse order.

## 27. CLEANING THE INTERIOR

Check the condition of the inside of the appliance.  
Remove any built-up dirt.  
Check and clean the fumes exhaust system.

## 28. MAIN COMPONENTS

### ***GAS HOB***

- Gas Cock
- Main Burner
- Pilot burner
- Thermocouple

### ***GAS SOLID TOP RANGES***

- Gas Cock
- Main Burner
- Pilot burner
- Thermocouple
- Igniter
- Piezoelectric ignition

### ***GAS OVEN***

- Gas Cock
- Main Burner
- Pilot burner
- Thermocouple
- Igniter
- Piezoelectric ignition

### ***GAS STOCKPOT STOVE***

Gas Cock  
Main Burner  
Pilot burner  
Thermocouple  
Igniter

### ***ELECTRIC HOB***

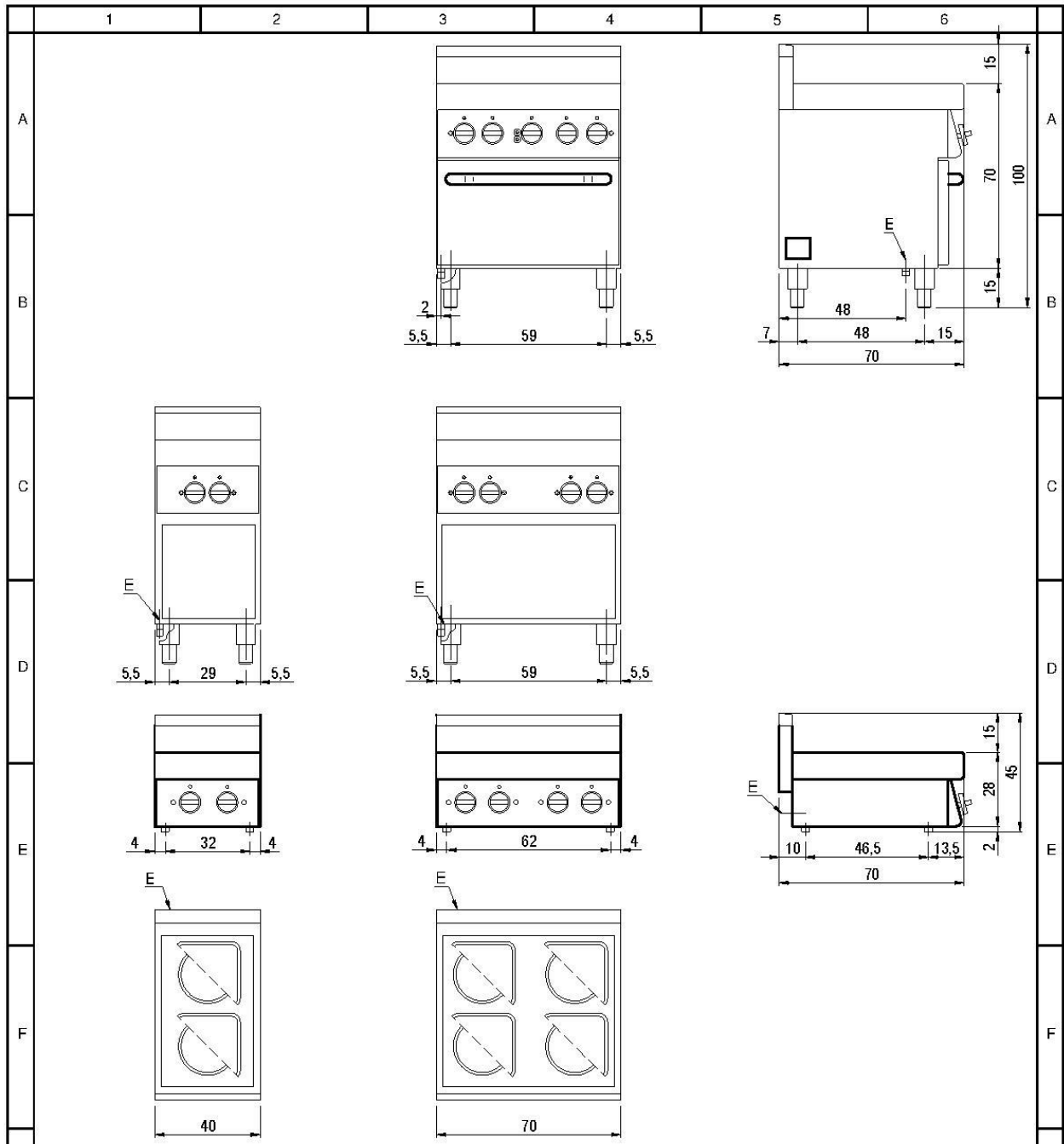
- Control knob

- Hotplate
- Indicator light


### ***ELECTRIC OVEN***

- Control knob
- Working thermostat
- Safety thermostat
- Heating element
- Indicator light

**VI. SCHEMI DI INSTALLAZIONE – INSTALLATIONS PLAN - INSTALLATION DIAGRAM – SCHEMA D’INSTALLATION – ESQUEMA DE INSTALACION - INSTALLATIESCHEMA'S**



70/...PCE...-T  
70/...PCE...  
70/...CFE...

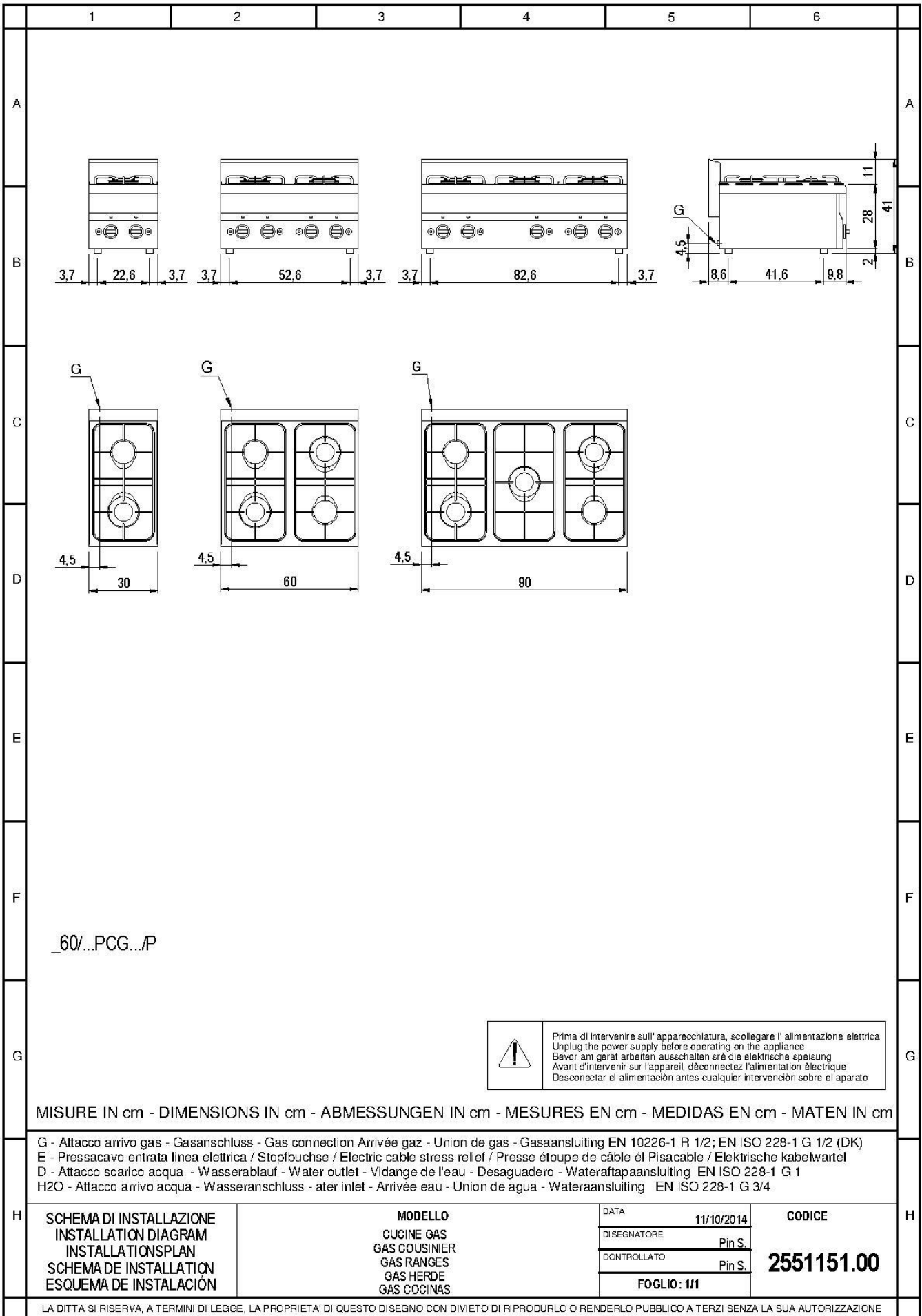
 Prima di intervenire sull'apparecchiatura, scollegare l'alimentazione elettrica.  
 Unplug the power supply before operating on the appliance.  
 Bevor am gerät arbeiten ausschalten srè die elektrishe speisung.  
 Avant d'intervenir sur l'appareil, déconnectez l'alimentation électrique.  
 Desconectar el alimentación antes cualquier intervención sobre el aparato.

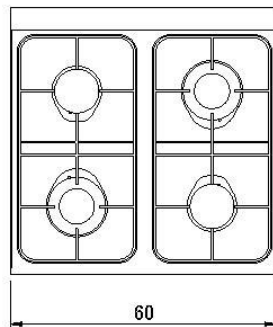
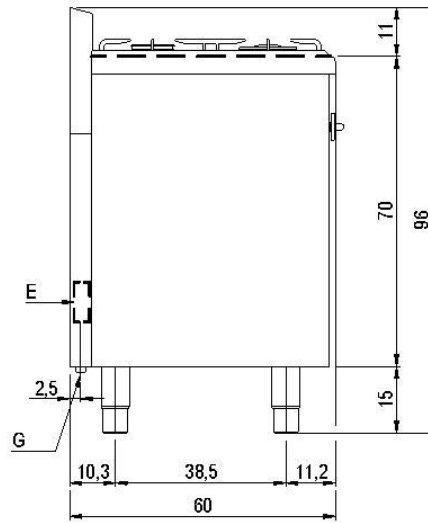
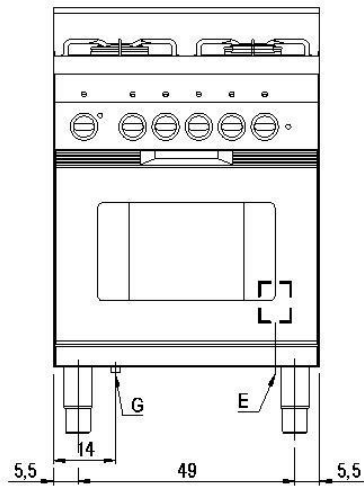
MISURE IN cm - DIMENSIONS IN cm - ABMESSUNGEN IN cm - MESURES EN cm - MEDIDAS EN cm - MATEN IN cm

G - Attacco arrivo gas - Gasanschluss - Gas connection Arrivée gaz - Union de gas - Gasaansluiting EN 10226-1 R 1/2; EN ISO 228-1 G 1/2 (DK)  
 E - Pressacavo entrata linea elettrica / Stopfbuchse / Electric cable stress relief / Presse étoupe de câble él Pisacable / Elektrische kabelwartel  
 D - Attacco scarico acqua - Wasserablauf - Water outlet - Vidange de l'eau - Desaguadero - Wateraftapaansluiting EN ISO 228-1 G 1  
 H2O - Attacco arrivo acqua - Wasseranschluss - ater inlet - Arrivée eau - Union de agua - Wateraansluiting EN ISO 228-1 G 3/4

H SCHEMA DI INSTALLAZIONE INSTALLATION DIAGRAM INSTALLATIONSPLAN SCHEMA DE INSTALLATION ESQUEMA DE INSTALACIÓN	<b>MODELLO</b> CUCINE ELETTRICHE EL. COUSINIERS EL. RANGES EL. HERDE EL. COGINAS	DATA <b>14/10/2014</b>	CODICE
		DI SEGNATORE Pin S.	<b>2551150.00</b>
		CONTROLLATO Pin S.	
			<b>FOGLIO: 1/1</b>

LA DITTA SI RISERVA, A TERMINI DI LEGGE, LA PROPRIETA' DI QUESTO DISEGNO CON DIVIETO DI RIPRODURLO O RENDERLO PUBBLICO A TERZI SENZA LA SUA AUTORIZZAZIONE





\_60/...CFG

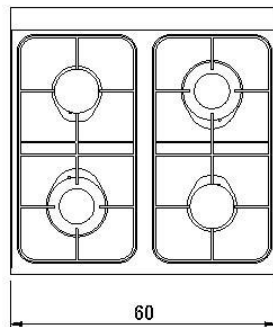
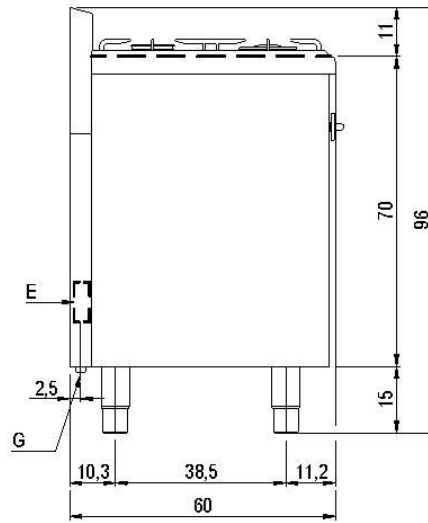
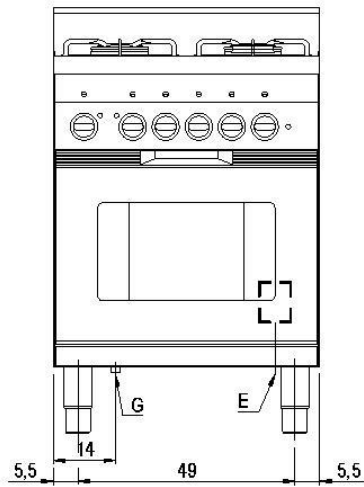
	Prima di intervenire sull'apparecchiatura, scollegare l'alimentazione elettrica Unplug the power supply before operating on the appliance Bevor am gerät arbeiten ausschalten srê die elektrische speisung Avant d'intervenir sur l'appareil, dëconnectez l'alimentation électrique Desconectar el alimentacion antes cualquier intervencion sobre el aparato
--	---

MISURE IN cm - DIMENSIONS IN cm - ABMESSUNGEN IN cm - MESURES EN cm - MEDIDAS EN cm - MATEN IN cm


G - Attacco arrivo gas - Gasanschluss - Gas connection Arrivée gaz - Union de gas - Gasaansluiting EN 10226-1 R 1/2; EN ISO 228-1 G 1/2 (DK)  
 E - Pressacavo entrata linea elettrica / Stopfbuchse / Electric cable stress relief / Presse étoupe de câble el Pisacable / Elektrische kabelwartel  
 D - Attacco scarico acqua - Wasserablauf - Water outlet - Vidange de l'eau - Desaguadero - Wateraftapaansluiting EN ISO 228-1 G 1  
 H2O - Attacco arrivo acqua - Wasseranschluss - ater inlet - Arrivée eau - Union de agua - Wateraansluiting EN ISO 228-1 G 3/4

<b>H</b> SCHEMA DI INSTALLAZIONE INSTALLATION DIAGRAM INSTALLATIONSPLAN SCHEMA DE INSTALLATION ESQUEMA DE INSTALACIÓN	<b>MODELLO</b>	DATA	11/10/2014	<b>CODICE</b>
	CUCINE GAS GAS COUSINIER GAS RANGES GAS HERDE GAS COCINAS	DI SEGNA TORE	Pin S.	
		CON TROLLATO	Pin S.	
		<b>FOGLIO: 111</b>		

LA DITTA SI RISERVA, A TERMINI DI LEGGE, LA PROPRIETA' DI QUESTO DISEGNO CON DIVIETO DI RIPRODURLO O RENDERLO PUBBLICO A TERZI SENZA LA SUA AUTORIZZAZIONE



60/...CFGE

 Prima di intervenire sull'apparecchiatura, scollegare l'alimentazione elettrica  
 Unplug the power supply before operating on the appliance  
 Bevor am gerät arbeiten ausschalten srê die elektrische speisung  
 Avant d'intervenir sur l'appareil, dëconnectez l'alimentation électrique  
 Desconectar el alimentacion antes cualquier intervencion sobre el aparato

MISURE IN cm - DIMENSIONS IN cm - ABMESSUNGEN IN cm - MESURES EN cm - MEDIDAS EN cm - MATEN IN cm

G - Attacco arrivo gas - Gasanschluss - Gas connection Arrivée gaz - Union de gas - Gasaansluiting EN 10226-1 R 1/2; EN ISO 228-1 G 1/2 (DK)  
 E - Pressacavo entrata linea elettrica / Stopfbuchse / Electric cable stress relief / Presse étoupe de câble el Pisacable / Elektrische kabelwartel  
 D - Attacco scarico acqua - Wasserablauf - Water outlet - Vidange de l'eau - Desaguadero - Wateraftapaansluiting EN ISO 228-1 G 1  
 H2O - Attacco arrivo acqua - Wasseranschluss - ater inlet - Arrivée eau - Union de agua - Wateraansluiting EN ISO 228-1 G 3/4

SCHEMA DI INSTALLAZIONE  
 INSTALLATION DIAGRAM  
 INSTALLATIONSPLAN  
 SCHEMA DE INSTALLATION  
 ESQUEMA DE INSTALACIÓN

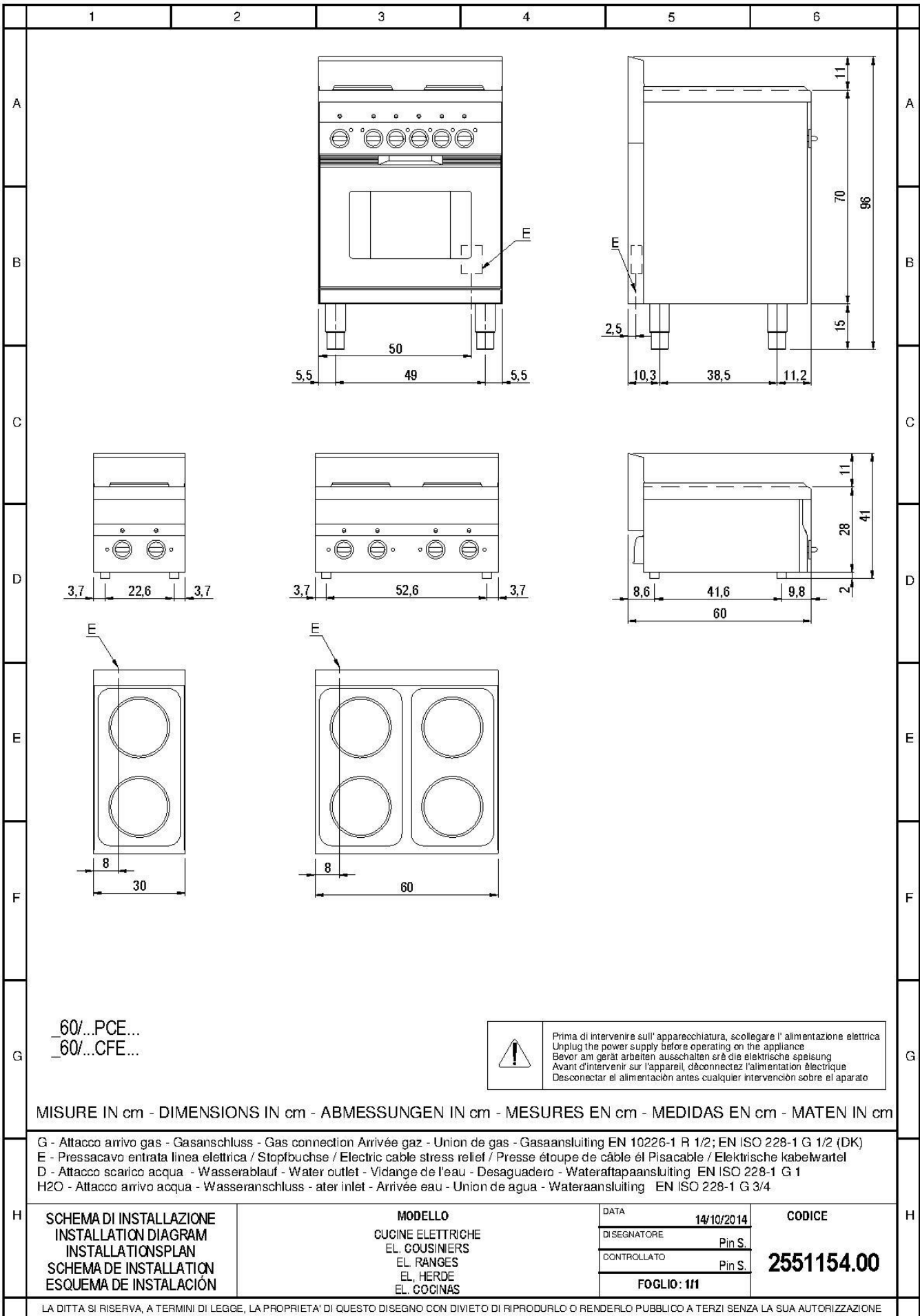
MODELLO  
 CUCINE GASELE  
 GAS/EL COUSINIER  
 GAS/EL RANGES  
 GAS/EL HERDE  
 GAS/EL COCINAS

DATA	11/10/2014
DI SEGNA TORE	Pin S.
CON TROLLATO	Pin S.
FOGLIO: 111	


CODICE  
**2551153.00**

LA DITTA SI RISERVA, A TERMINI DI LEGGE, LA PROPRIETA' DI QUESTO DISEGNO CON DIVIETO DI RIPRODURLO O RENDERLO PUBBLICO A TERZI SENZA LA SUA AUTORIZZAZIONE





60...PCE...  
60...CFE...

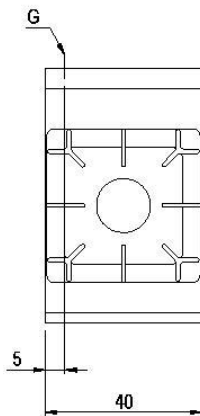
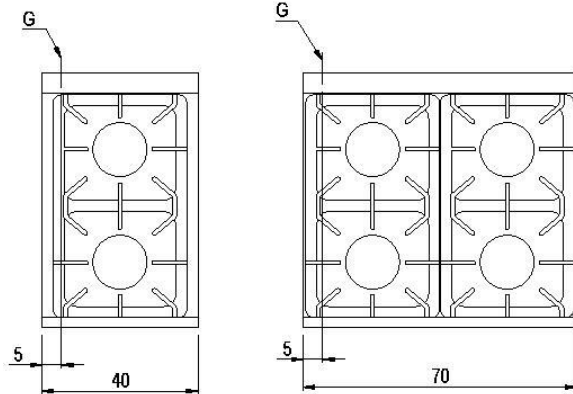
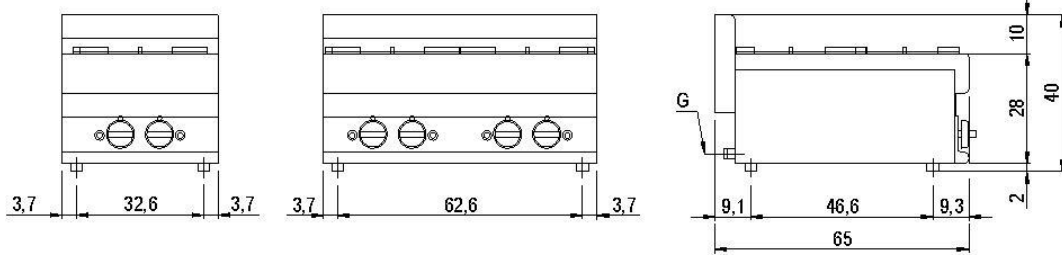
 Prima di intervenire sull'apparecchiatura, scollegare l'alimentazione elettrica  
Unplug the power supply before operating on the appliance  
Bevor am gerät arbeiten ausschalten srê die elektrische speisung  
Avant d'intervenir sur l'appareil, dëconnectez l'alimentation électrique  
Desconectar el alimentacion antes cualquier intervencion sobre el aparato

MISURE IN cm - DIMENSIONS IN cm - ABMESSUNGEN IN cm - MESURES EN cm - MEDIDAS EN cm - MATEN IN cm


G - Attacco arrivo gas - Gasanschluss - Gas connection Arrivée gaz - Union de gas - Gasaansluiting EN 10226-1 R 1/2; EN ISO 228-1 G 1/2 (DK)  
E - Pressacavo entrata linea elettrica / Stopfbuchse / Electric cable stress relief / Presse étoupe de câble el Pisacable / Elektrische kabelwartel  
D - Attacco scarico acqua - Wasserablauf - Water outlet - Vidange de l'eau - Desaguadero - Wateraftapaansluiting EN ISO 228-1 G 1  
H2O - Attacco arrivo acqua - Wasseranschluss - ater inlet - Arrivée eau - Union de agua - Wateraansluiting EN ISO 228-1 G 3/4

<b>H</b> SCHEMA DI INSTALLAZIONE INSTALLATION DIAGRAM INSTALLATIONSPLAN SCHEMA DE INSTALLATION ESQUEMA DE INSTALACIÓN	<b>MODELLO</b> CUCINE ELETTRICHE EL. COUSINIERS EL. RANGES EL. HERDE EL. COCINAS	DATA <b>14/10/2014</b> DI SEGNA TORE Pin S. CONTROLLATO Pin S.	<b>CODICE</b>  <b>2551154.00</b>	<b>H</b>
	<b>FOGLIO: 111</b>			

LA DITTA SI SERVA, A TERMINI DI LEGGE, LA PROPRIETA' DI QUESTO DISEGNO CON DIVIETO DI RIPRODURLO O RENDERLO PUBBLICO A TERZI SENZA LA SUA AUTORIZZAZIONE



65/...PCG  
65/...PG/40 P

 Prima di intervenire sull'apparecchiatura, scollegare l'alimentazione elettrica  
Unplug the power supply before operating on the appliance  
Bevor am gerät arbeiten ausschalten srê die elektrische speisung  
Avant d'intervenir sur l'appareil, dëconnectez l'alimentation électrique  
Desconectar el alimentacion antes cualquier intervencion sobre el aparato

MISURE IN cm - DIMENSIONS IN cm - ABMESSUNGEN IN cm - MESURES EN cm - MEDIDAS EN cm - MATEN IN cm

G - Attacco arrivo gas - Gasanschluss - Gas connection Arrivée gaz - Union de gas - Gasaansluiting EN 10226-1 R 1/2; EN ISO 228-1 G 1/2 (DK)  
E - Pressacavo entrata linea elettrica / Stopfbuchse / Electric cable stress relief / Presse étoupe de câble él Pisacable / Elektrische kabelwartel  
D - Attacco scarico acqua - Wasserablauf - Water outlet - Vidange de l'eau - Desaguadero - Wateraftapaansluiting EN ISO 228-1 G 1  
H2O - Attacco arrivo acqua - Wasseranschluss - ater inlet - Arrivée eau - Union de agua - Wateraansluiting EN ISO 228-1 G 3/4

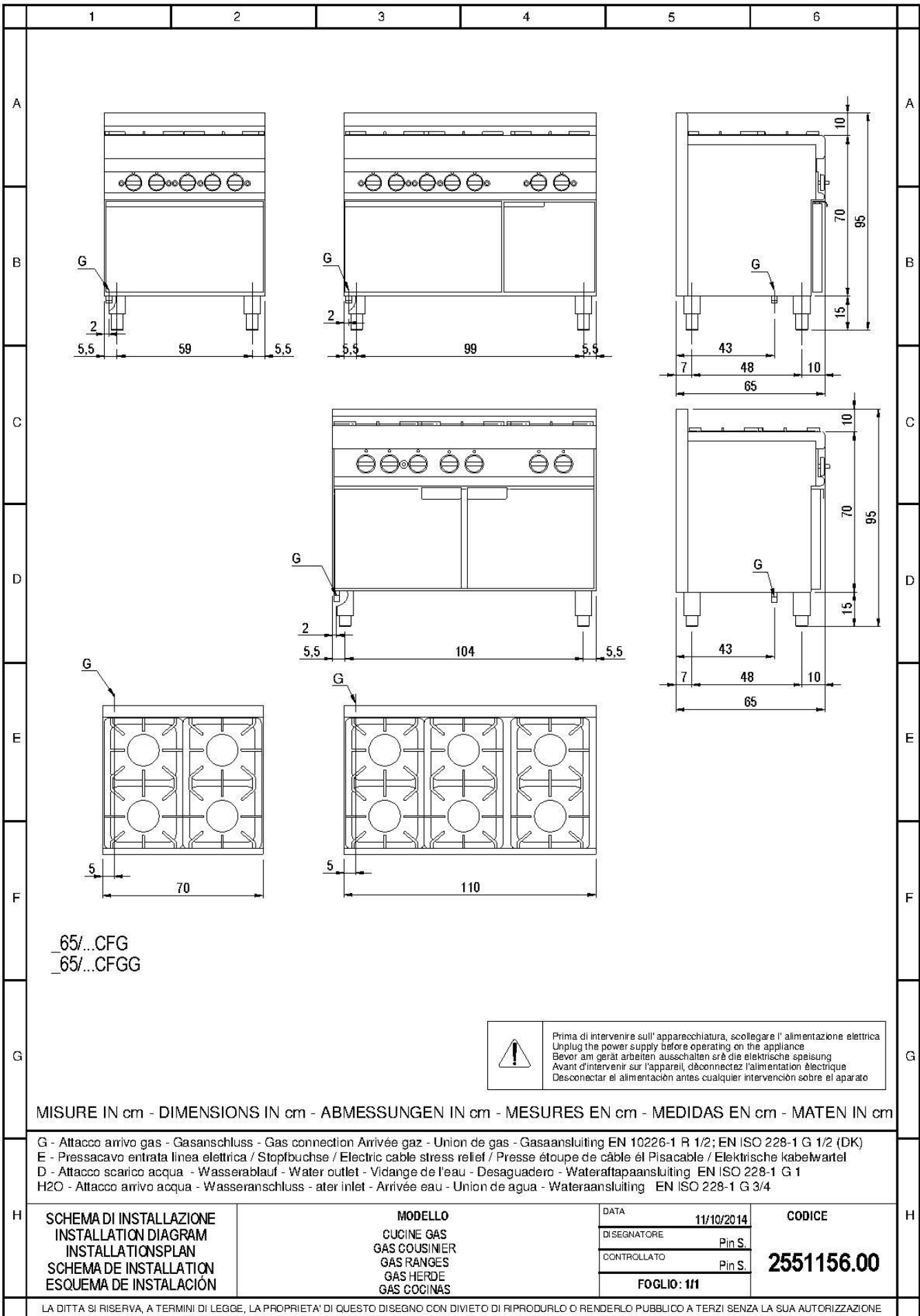
SCHEMA DI INSTALLAZIONE  
INSTALLATION DIAGRAM  
INSTALLATIONSPLAN  
SCHEMA DE INSTALLATION  
ESQUEMA DE INSTALACIÓN

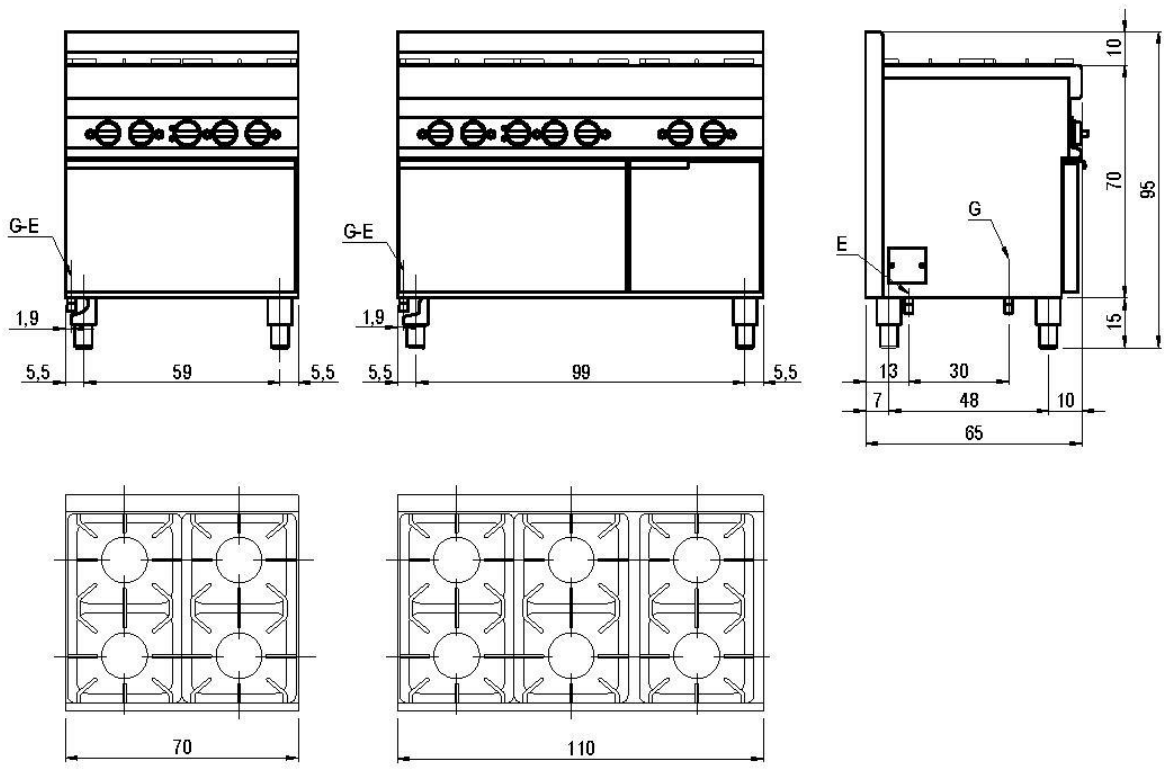
MODELLO  
CUCINE GAS  
GAS COUSINIER  
GAS RANGES  
GAS HERDE  
GAS COCINAS

DATA	11/10/2014
DISEGNATORE	Pin S.
CONTROLLATO	Pin S.
FOGLIO: 111	


CODICE  
**2551155.00**

LA DITTA SI RISERVA, A TERMINI DI LEGGE, LA PROPRIETA' DI QUESTO DISEGNO CON DIVIETO DI RIPRODURLO O RENDERLO PUBBLICO A TERZI SENZA LA SUA AUTORIZZAZIONE





\_65/...CFGE

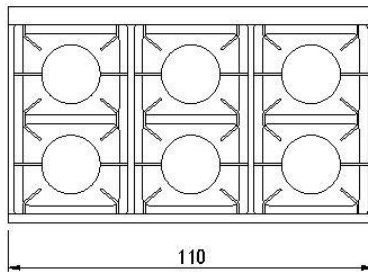
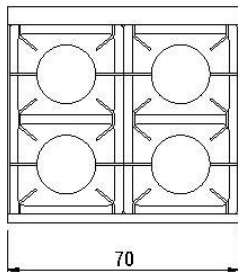
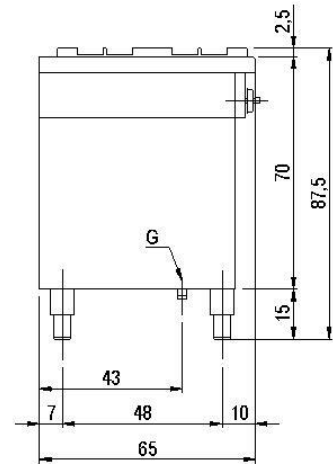
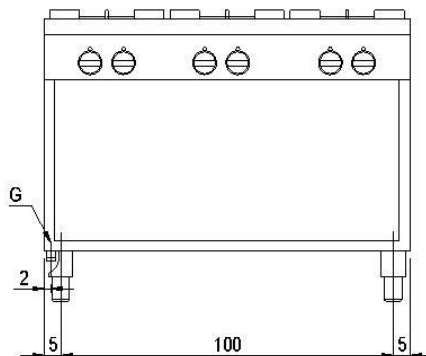
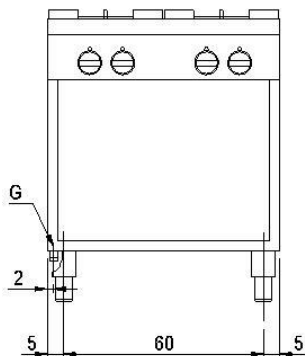
 Prima di intervenire sull'apparecchiatura, scollegare l'alimentazione elettrica  
 Unplug the power supply before operating on the appliance  
 Bevor am gerät arbeiten ausschalten srê die elektrische speisung  
 Avant d'intervenir sur l'appareil, d'connectez l'alimentation électrique  
 Desconectar el alimentación antes cualquier intervencion sobre el aparato

MISURE IN cm - DIMENSIONS IN cm - ABMESSUNGEN IN cm - MESURES EN cm - MEDIDAS EN cm - MATEN IN cm


G - Attacco arrivo gas - Gasanschluss - Gas connection Arrivée gaz - Union de gas - Gasaansluiting EN 10226-1 R 1/2; EN ISO 228-1 G 1/2 (DK)  
 E - Pressacavo entrata linea elettrica / Stopfbuchse / Electric cable stress relief / Presse étoupe de câble el Pisacable / Elektrische kabelwartel  
 D - Attacco scarico acqua - Wasserablauf - Water outlet - Vidange de l'eau - Desaguadero - Wateraftapaansluiting EN ISO 228-1 G 1  
 H2O - Attacco arrivo acqua - Wasseranschluss - ater inlet - Arrivée eau - Union de agua - Wateraansluiting EN ISO 228-1 G 3/4

H	<b>SCHEMA DI INSTALLAZIONE</b> <b>INSTALLATION DIAGRAM</b> <b>INSTALLATIONSPLAN</b> <b>SCHEMA DE INSTALLATION</b> <b>ESQUEMA DE INSTALACIÓN</b>	<b>MODELLO</b> CUCINE GASELE GAS/EL COUSINIER GAS/EL RANGES GAS/EL HERDE GAS/EL COCINAS	DATA	11/10/2014	<b>CODICE</b>  <b>2551157.00</b>	H
			DI SEGNA TORE	Pin S.		
			CON TROLLATO	Pin S.		
			<b>FOGLIO: 111</b>			

LA DITTA SI RISERVA, A TERMINI DI LEGGE, LA PROPRIETA' DI QUESTO DISEGNO CON DIVIETO DI RIPRODURLO O RENDERLO PUBBLICO A TERZI SENZA LA SUA AUTORIZZAZIONE



CEG/70  
CEG/110

 Prima di intervenire sull'apparecchiatura, scollegare l'alimentazione elettrica  
Unplug the power supply before operating on the appliance  
Bevor am gerät arbeiten ausschalten srê die elektrische speisung  
Avant d'intervenir sur l'appareil, dëconnectez l'alimentation électrique  
Desconectar el alimentación antes cualquier intervencion sobre el aparato

MISURE IN cm - DIMENSIONS IN cm - ABMESSUNGEN IN cm - MESURES EN cm - MEDIDAS EN cm - MATEN IN cm

G - Attacco arrivo gas - Gasanschluss - Gas connection Arrivée gaz - Union de gas - Gasaansluiting EN 10226-1 R 1/2; EN ISO 228-1 G 1/2 (DK)  
E - Pressacavo entrata linea elettrica / Stopfbuchse / Electric cable stress relief / Presse étoupe de câble él Pisacable / Elektrische kabelwartel  
D - Attacco scarico acqua - Wasserablauf - Water outlet - Vidange de l'eau - Desaguadero - Wateraftapaansluiting EN ISO 228-1 G 1  
H2O - Attacco arrivo acqua - Wasseranschluss - ater inlet - Arrivée eau - Union de agua - Wateraansluiting EN ISO 228-1 G 3/4

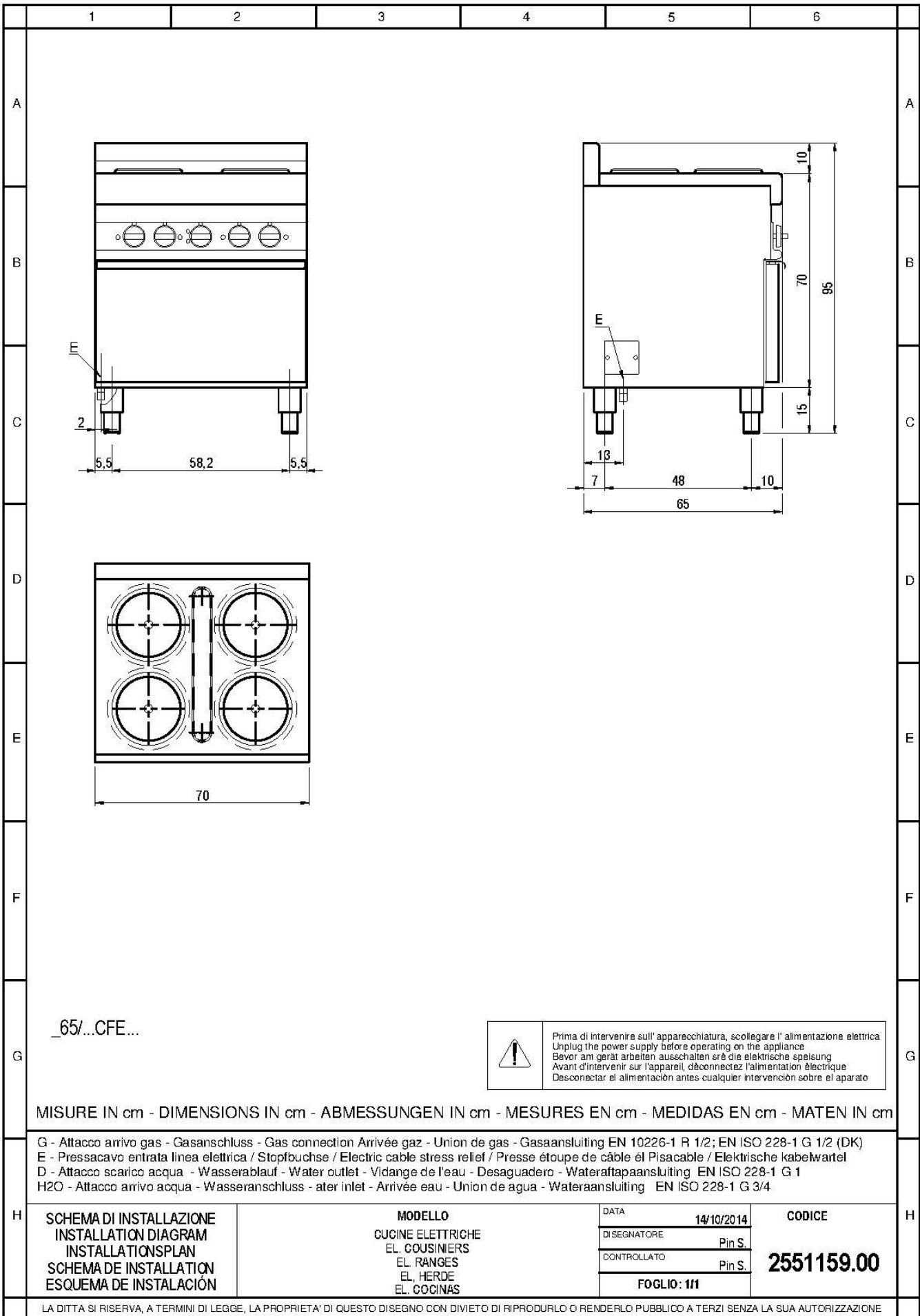
SCHEMA DI INSTALLAZIONE  
INSTALLATION DIAGRAM  
INSTALLATIONSPLAN  
SCHEMA DE INSTALLATION  
ESQUEMA DE INSTALACIÓN

MODELLO  
CUCINE GAS  
GAS COUSINIER  
GAS RANGES  
GAS HERDE  
GAS COCINAS

DATA	11/10/2014
DISEGNATORE	Pin S.
CONTROLLATO	Pin S.
FOGLIO: 111	

CODICE  
**2551158.00**

LA DITTA SI RISERVA, A TERMINI DI LEGGE, LA PROPRIETA' DI QUESTO DISEGNO CON DIVIETO DI RIPRODURLO O RENDERLO PUBBLICO A TERZI SENZA LA SUA AUTORIZZAZIONE



65/...CFE...

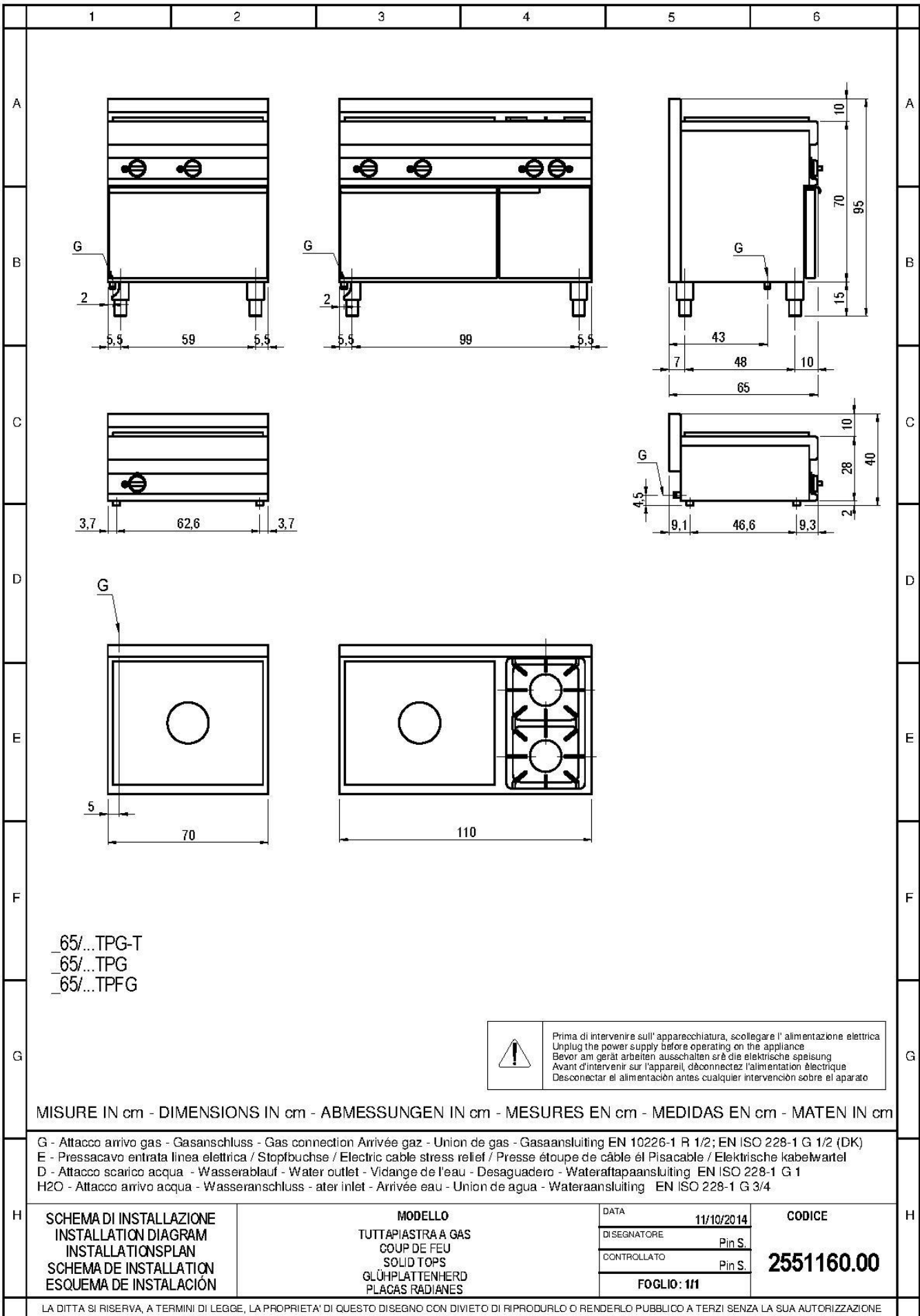
**!** Prima di intervenire sull'apparecchiatura, scollegare l'alimentazione elettrica  
 Unplug the power supply before operating on the appliance  
 Bevor am gerät arbeiten ausschalten srê die elektrische speisung  
 Avant d'intervenir sur l'appareil, dëconnectez l'alimentation électrique  
 Desconectar el alimentación antes cualquier intervencion sobre el aparato

MISURE IN cm - DIMENSIONS IN cm - ABMESSUNGEN IN cm - MESURES EN cm - MEDIDAS EN cm - MATEN IN cm


G - Attacco arrivo gas - Gasanschluss - Gas connection Arrivée gaz - Union de gas - Gasaansluiting EN 10226-1 R 1/2; EN ISO 228-1 G 1/2 (DK)  
 E - Pressacavo entrata linea elettrica / Stopfbuchse / Electric cable stress relief / Presse étoupe de câble él Pisacable / Elektrische kabelwartel  
 D - Attacco scarico acqua - Wasserablauf - Water outlet - Vidange de l'eau - Desaguadero - Wateraftapaansluiting EN ISO 228-1 G 1  
 H2O - Attacco arrivo acqua - Wasseranschluss - ater inlet - Arrivée eau - Union de agua - Wateraansluiting EN ISO 228-1 G 3/4

<b>H</b> SCHEMA DI INSTALLAZIONE INSTALLATION DIAGRAM INSTALLATIONSPLAN SCHEMA DE INSTALLATION ESQUEMA DE INSTALACIÓN	<b>MODELLO</b> CUCINE ELETTRICHE EL. COUSINIERS EL. RANGES EL. HERDE EL. COÇINAS	DATA <b>14/10/2014</b> DI SEGNA TORE Pin S. CONTROLLATO Pin S. <b>FOGLIO: 111</b>	<b>CODICE</b>  <b>2551159.00</b>	<b>H</b>
--	---	--	--	----------

LA DITTA SI SERVA, A TERMINI DI LEGGE, LA PROPRIETA' DI QUESTO DISEGNO CON DIVIETO DI RIPRODURLO O RENDERLO PUBBLICO A TERZI SENZA LA SUA AUTORIZZAZIONE



65/...TPG-T  
 65/...TPG  
 65/...TPFG

 Prima di intervenire sull'apparecchiatura, scollegare l'alimentazione elettrica  
 Unplug the power supply before operating on the appliance  
 Bevor am gerät arbeiten ausschalten srê die elektrische speisung  
 Avant d'intervenir sur l'appareil, dëconnectez l'alimentation électrique  
 Desconectar el alimentacion antes cualquier intervencion sobre el aparato

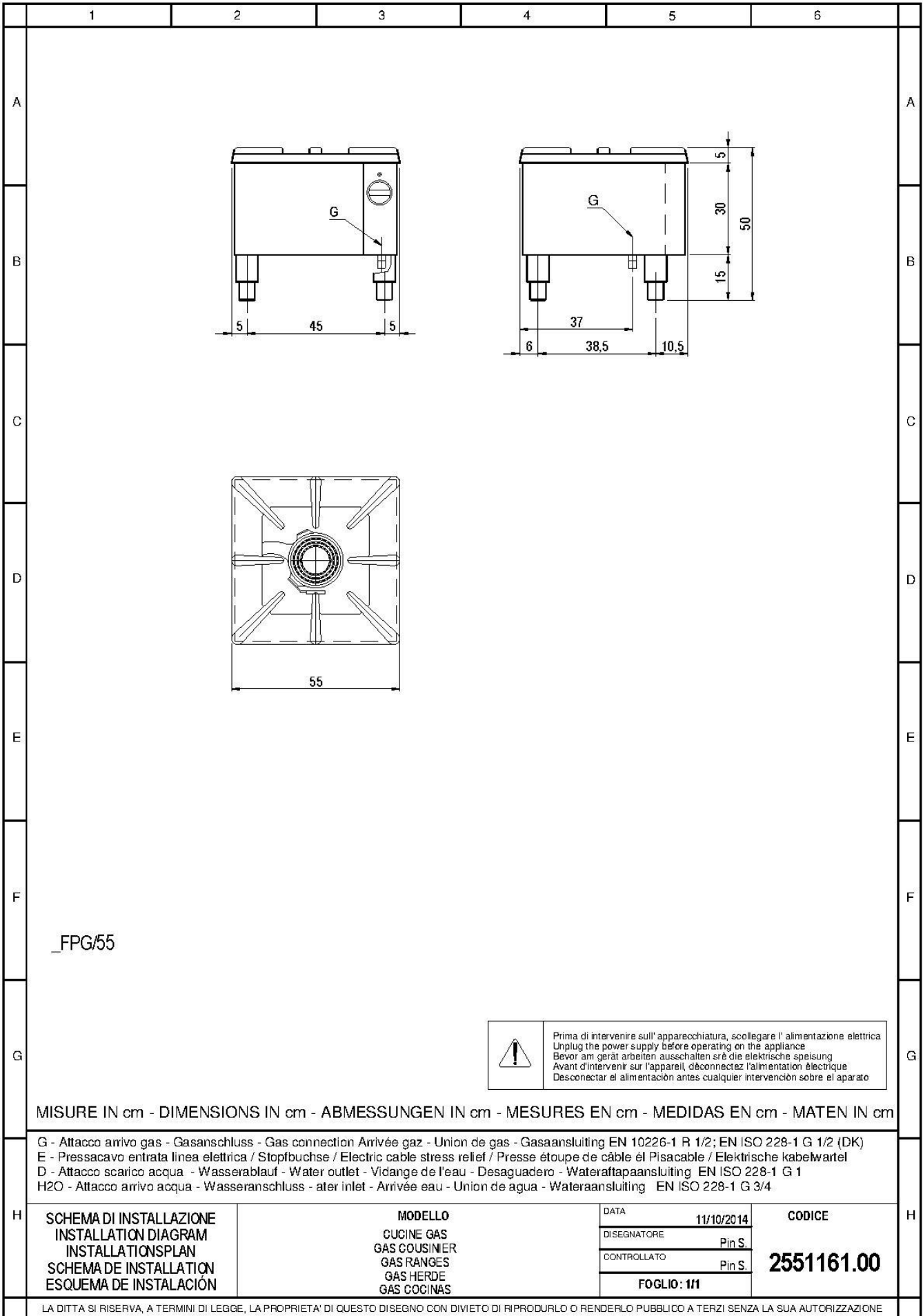
MISURE IN cm - DIMENSIONS IN cm - ABMESSUNGEN IN cm - MESURES EN cm - MEDIDAS EN cm - MATEN IN cm

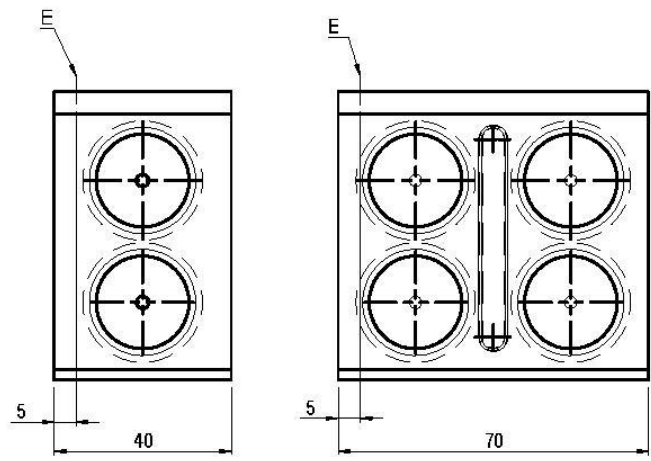
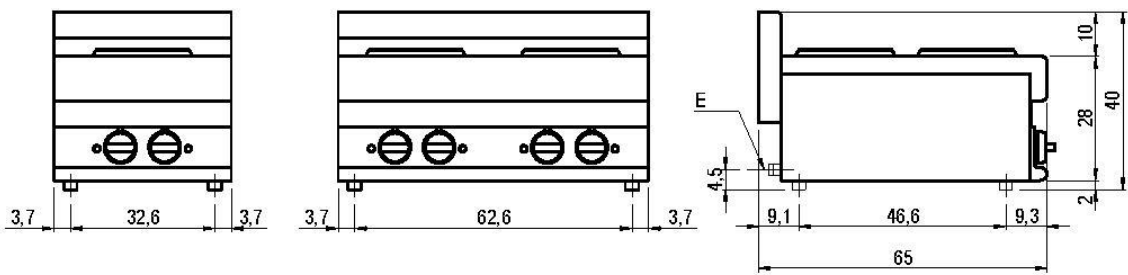
G - Attacco arrivo gas - Gasanschluss - Gas connection Arrivée gaz - Union de gas - Gasaansluiting EN 10226-1 R 1/2; EN ISO 228-1 G 1/2 (DK)  
 E - Pressacavo entrata linea elettrica / Stopfbuchse / Electric cable stress relief / Presse étoupe de câble el Pisacable / Elektrische kabelwartel  
 D - Attacco scarico acqua - Wasserablauf - Water outlet - Vidange de l'eau - Desaguadero - Wateraftapaansluiting EN ISO 228-1 G 1  
 H2O - Attacco arrivo acqua - Wasseranschluss - ater inlet - Arrivée eau - Union de agua - Wateraansluiting EN ISO 228-1 G 3/4

<b>H</b> SCHEMA DI INSTALLAZIONE INSTALLATION DIAGRAM INSTALLATIONSPLAN SCHEMA DE INSTALLATION ESQUEMA DE INSTALACIÓN	<b>MODELLO</b> TUTTAPIASTRA A GAS COUP DE FEU SOLID TOPS GLÜHPLATTENHERD PLACAS RADIANTES	DATA 11/10/2014 DI SEGNA TORE Pin S. CONTROLLATO Pin S.	<b>CODICE</b>  <b>2551160.00</b>	<b>H</b>
	<b>FOGLIO: 111</b>			


LA DITTA SI RISERVA, A TERMINI DI LEGGE, LA PROPRIETA' DI QUESTO DISEGNO CON DIVIETO DI RIPRODURLO O RENDERLO PUBBLICO A TERZI SENZA LA SUA AUTORIZZAZIONE







\_65/...PCE...

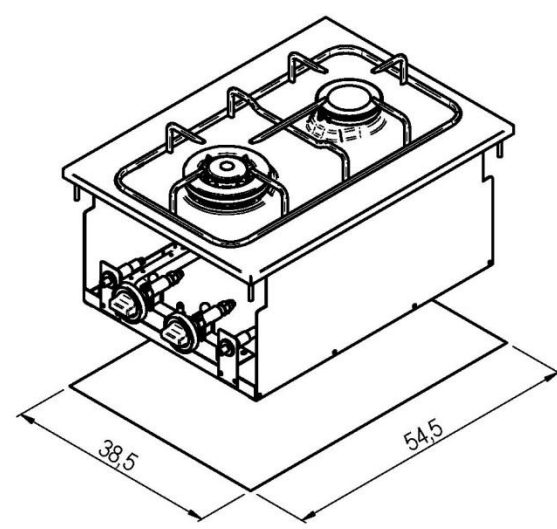
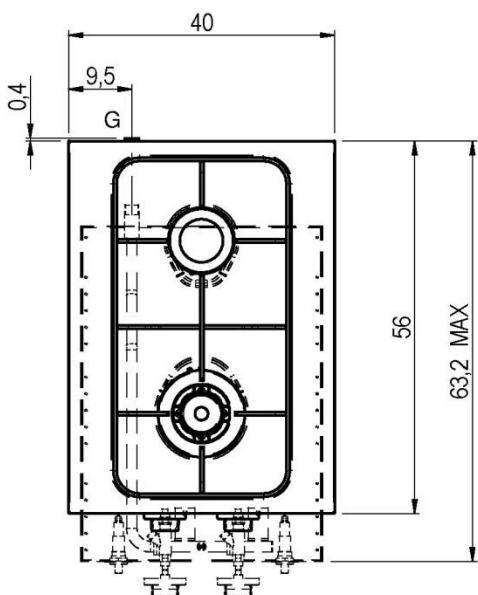
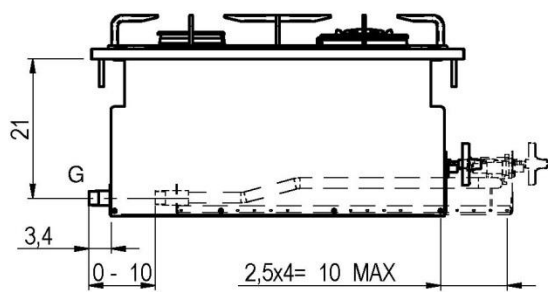
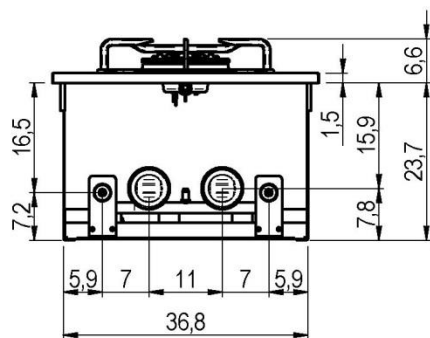
 Prima di intervenire sull'apparecchiatura, scollegare l'alimentazione elettrica  
 Unplug the power supply before operating on the appliance  
 Bevor am gerät arbeiten ausschalten srê die elektrische speisung  
 Avant d'intervenir sur l'appareil, dëconnectez l'alimentation électrique  
 Desconectar el alimentacion antes cualquier intervencion sobre el aparato

MISURE IN cm - DIMENSIONS IN cm - ABMESSUNGEN IN cm - MESURES EN cm - MEDIDAS EN cm - MATEN IN cm


G - Attacco arrivo gas - Gasanschluss - Gas connection Arrivée gaz - Union de gas - Gasaansluiting EN 10226-1 R 1/2; EN ISO 228-1 G 1/2 (DK)  
 E - Pressacavo entrata linea elettrica / Stopfbuchse / Electric cable stress relief / Presse étoupe de câble él Pisacable / Elektrische kabelwartel  
 D - Attacco scarico acqua - Wasserablauf - Water outlet - Vidange de l'eau - Desaguadero - Wateraftapaansluiting EN ISO 228-1 G 1  
 H2O - Attacco arrivo acqua - Wasseranschluss - ater inlet - Arrivée eau - Union de agua - Wateraansluiting EN ISO 228-1 G 3/4

H	SCHEMA DI INSTALLAZIONE INSTALLATION DIAGRAM INSTALLATIONSPLAN SCHEMA DE INSTALLATION ESQUEMA DE INSTALACIÓN	MODELLO CUCINE ELETTRICHE EL. COUSINIERS EL. RANGES EL. HERDE EL. COGINAS	DATA	14/10/2014	CODICE
			DISEGNATORE	Pin S.	
			CONTROLLATO	Pin S.	2551162.00
			FOGLIO: 111		

LA DITTA SI SERVA, A TERMINI DI LEGGE, LA PROPRIETA' DI QUESTO DISEGNO CON DIVIETO DI RIPRODURLO O RENDERLO PUBBLICO A TERZI SENZA LA SUA AUTORIZZAZIONE



60/40 PCG-D

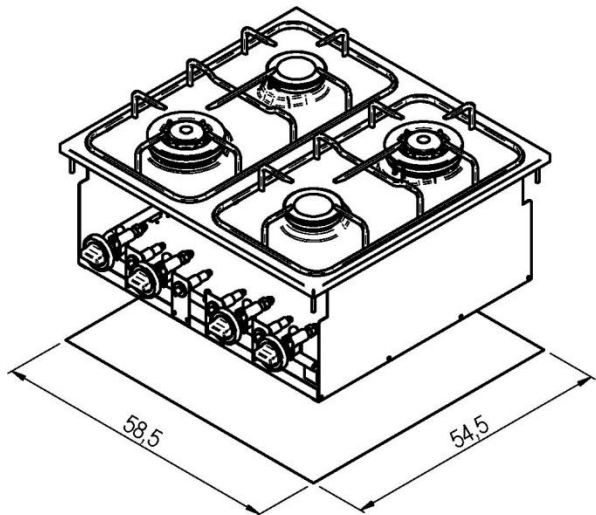
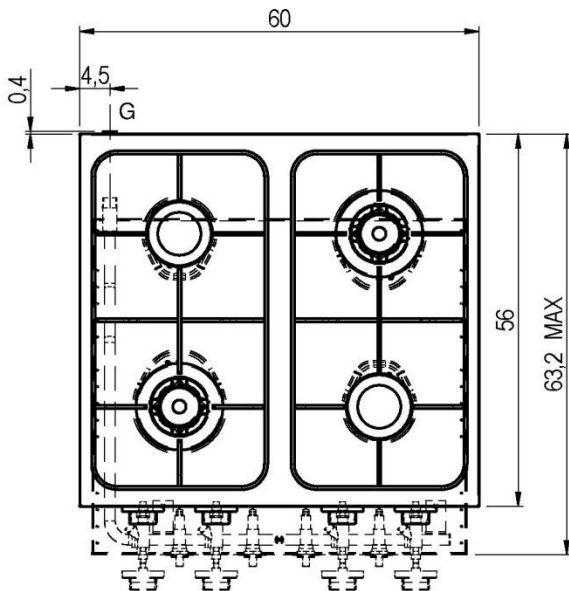
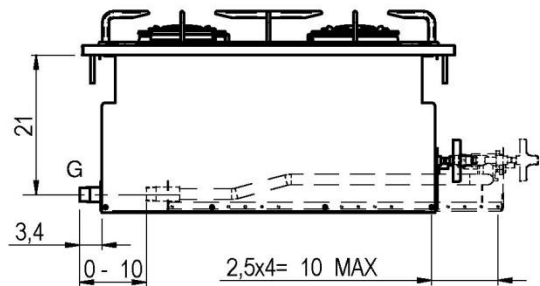
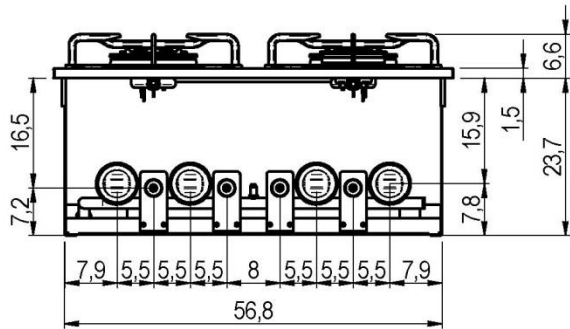
 Prima di intervenire sull'apparecchiatura, scollegare l'alimentazione elettrica  
 Unplug the power supply before operating on the appliance  
 Bevor am gerät arbeiten ausschalten sré die elektrische speisung  
 Avant d'intervenir sur l'appareil, déconnectez l'alimentation électrique  
 Desconectar el alimentación antes cualquier intervención sobre el aparato

MISURE IN cm - DIMENSIONS IN cm - ABMESSUNGEN IN cm - MESURES EN cm - MEDIDAS EN cm - MATEN IN cm

G - Attacco arrivo gas - Gasanschluss - Gas connection Arrivée gaz - Union de gas - Gasaansluiting EN 10226-1 R 1/2; EN ISO 228-1 G 1/2 (DK)  
 E - Pressacavo entrata linea elettrica / Stopfbuchse / Electric cable stress relief / Presse étoupe de câble él Pisacable / Elektrische kabelwartel  
 D - Attacco scarico acqua - Wasserablauf - Water outlet - Vidange de l'eau - Desaguadero - Wateraftapaansluiting EN ISO 228-1 G 1  
 H2O - Attacco arrivo acqua - Wasseranschluss - ater inlet - Arrivée eau - Union de agua - Wateraansluiting EN ISO 228-1 G 3/4

H	SCHEMA DI INSTALLAZIONE INSTALLATION DIAGRAM INSTALLATIONSPLAN SCHEMA DE INSTALLATION ESQUEMA DE INSTALACIÓN	MODELLO PIANO COTTURA GAS DROP IN GAS BOILING UNIT DROP IN GASKOCHFELD DROP IN PLAN CUISSON GAZ DROP IN COCINA A GAS DROP IN	DATA	18/12/2014	CODICE
			DISEGNATORE	Possamai F.	
			CONTROLLATO	Possamai F.	<b>2551074.00</b>
			FOGLIO: 1/1		

LA DITTA SI RISERVA, A TERMINI DI LEGGE, LA PROPRIETA' DI QUESTO DISEGNO CON DIVIETO DI RIPRODURLO O RENDERLO PUBBLICO A TERZI SENZA LA SUA AUTORIZZAZIONE



60/60 PCG-D



Prima di intervenire sull'apparecchiatura, scollegare l'alimentazione elettrica  
 Unplug the power supply before operating on the appliance  
 Bevor am gerät arbeiten ausschalten srö die elektrische speisung  
 Avant d'intervenir sur l'appareil, déconnectez l'alimentation électrique  
 Desconectar el alimentacion antes cualquier intervencion sobre el aparato

MISURE IN cm - DIMENSIONS IN cm - ABMESSUNGEN IN cm - MESURES EN cm - MEDIDAS EN cm - MATEN IN cm

G - Attacco arrivo gas - Gasanschluss - Gas connection Arrivée gaz - Union de gas - Gasaansluiting EN 10226-1 R 1/2; EN ISO 228-1 G 1/2 (DK)  
 E - Pressacavo entrata linea elettrica / Stopfbuchse / Electric cable stress relief / Presse étoupe de câble él Pisacable / Elektrische kabelwartel  
 D - Attacco scarico acqua - Wasserablauf - Water outlet - Vidange de l'eau - Desaguadero - Wateraftapaansluiting EN ISO 228-1 G 1  
 H2O - Attacco arrivo acqua - Wasseranschluss - ater inlet - Arrivée eau - Union de agua - Wateraansluiting EN ISO 228-1 G 3/4

SCHEMA DI INSTALLAZIONE  
 INSTALLATION DIAGRAM  
 INSTALLATIONSPLAN  
 SCHEMA DE INSTALLATION  
 ESQUEMA DE INSTALACION

MODELLO

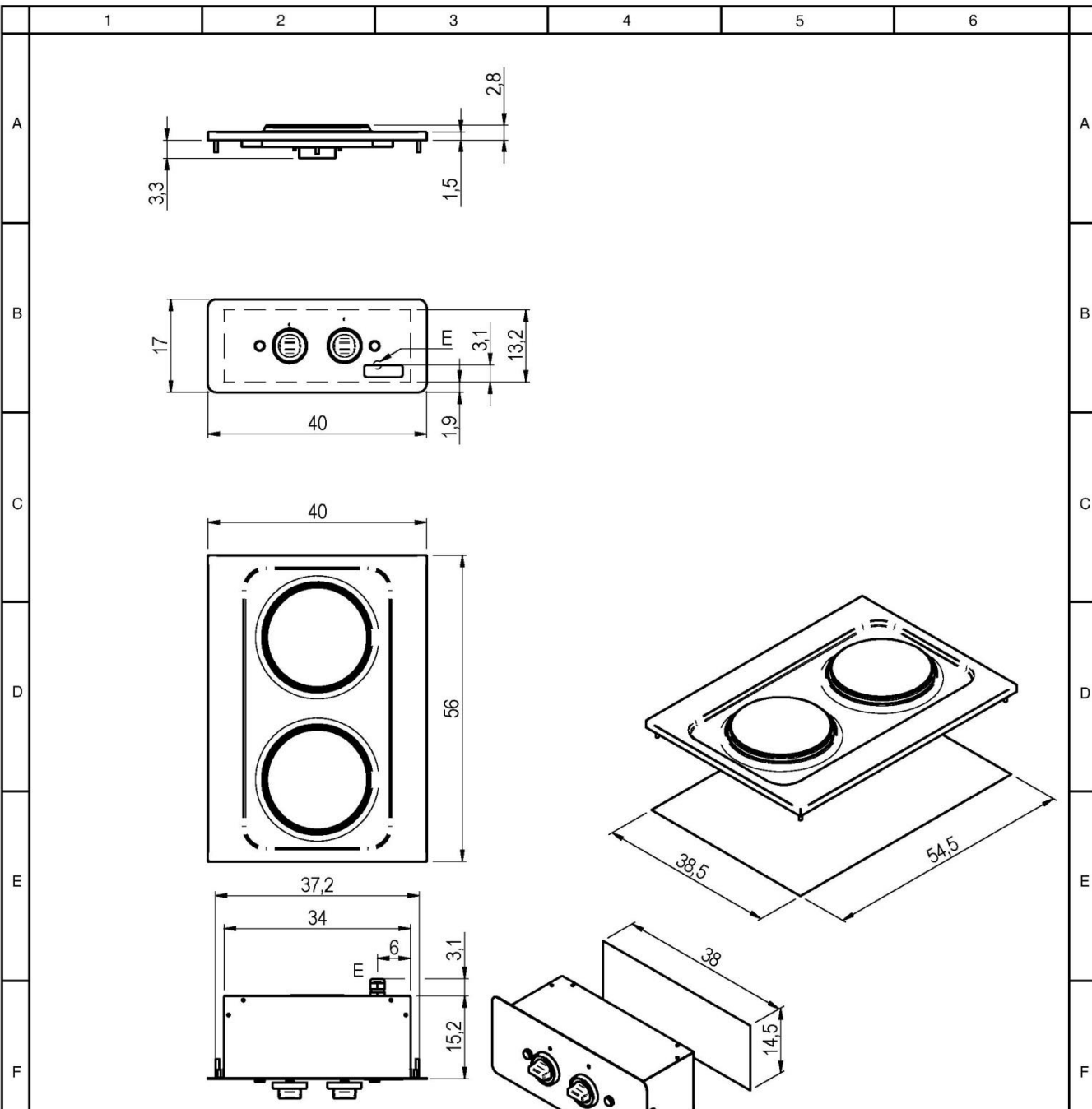
PIANO COTTURA GAS DROP IN  
 GAS BOILING UNIT DROP-IN  
 GASKOCHFELD DROP IN  
 PLAN CUISSON GAZ DROP IN  
 COCINA A GAS DROP IN

DATA	18/12/2014
DISEGNATORE	Possamai F.
CONTROLLATO	Possamai F.
FOGLIO: 1/1	


CODICE

**2551075.00**

LA DITTA SI RISERVA, A TERMINI DI LEGGE, LA PROPRIETA' DI QUESTO DISEGNO CON DIVIETO DI RIPRODURLO O RENDERLO PUBBLICO A TERZI SENZA LA SUA AUTORIZZAZIONE



60/40 PCE-D

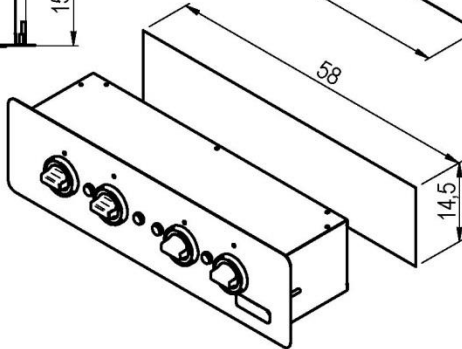
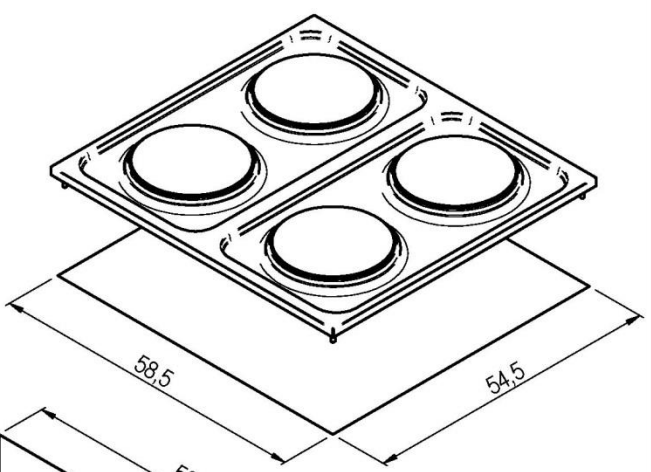
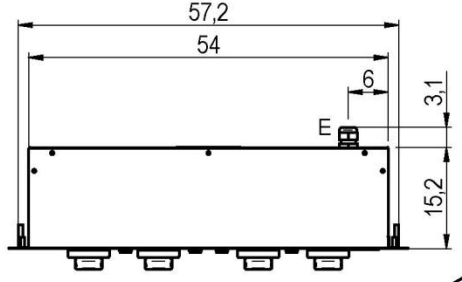
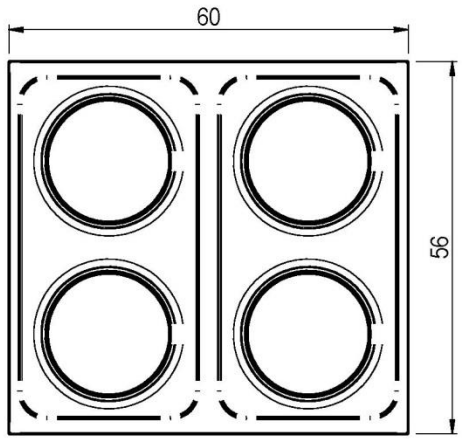
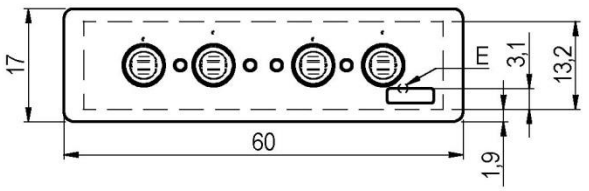
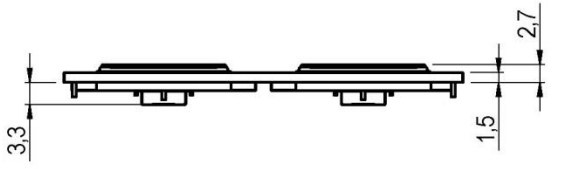
 Prima di intervenire sull'apparecchiatura, scollegare l'alimentazione elettrica  
 Unplug the power supply before operating on the appliance  
 Bevor am gerät arbeiten ausschalten srò die elektrishe speisung  
 Avant d'intervenir sur l'appareil, déconnectez l'alimentation électrique  
 Desconectar el alimentación antes cualquier intervención sobre el aparato

MISURE IN cm - DIMENSIONS IN cm - ABMESSUNGEN IN cm - MESURES EN cm - MEDIDAS EN cm - MATEN IN cm


G - Attacco arrivo gas - Gasanschluss - Gas connection Arrivée gaz - Union de gas - Gasaansluiting EN 10226-1 R 1/2; EN ISO 228-1 G 1/2 (DK)  
 E - Pressacavo entrata linea elettrica / Stopfbuchse / Electric cable stress relief / Presse étoupe de câble él Pisacable / Elektrische kabelwartel  
 D - Attacco scarico acqua - Wasserablauf - Water outlet - Vidange de l'eau - Desaguadero - Wateraftapaansluiting EN ISO 228-1 G 1  
 H2O - Attacco arrivo acqua - Wasseranschluss - ater inlet - Arrivée eau - Union de agua - Wateraansluiting EN ISO 228-1 G 3/4

H	SCHEMA DI INSTALLAZIONE INSTALLATION DIAGRAM INSTALLATIONSPLAN SCHEMA DE INSTALLATION ESQUEMA DE INSTALACIÓN	MODELLO PIANO COTTURA ELETTRICO DROP IN ELECTRIC COOKING TOP DROP IN ELEKTROKOCHEFELD DROP IN TABLE DE CUISSON ELECTRIQUE DROP IN PLANO DE COCCION ELECTRICO DROP IN	DATA	18/12/2014	CODICE  <b>2551076.00</b>	H
			DISEGNATORE	Possamai F.		
			CONTROLLATO	Possamai F.		
			FOGLIO: 1/1			

LA DITTA SI RISERVA, A TERMINI DI LEGGE, LA PROPRIETA' DI QUESTO DISEGNO CON DIVIETO DI RIPRODURLO O RENDERLO PUBBLICO A TERZI SENZA LA SUA AUTORIZZAZIONE



60/60 PCE-D

 Prima di intervenire sull'apparecchiatura, scollegare l'alimentazione elettrica  
 Unplug the power supply before operating on the appliance  
 Bevor am gerät arbeiten ausschalten srò die elektrishe speisung  
 Avant d'intervenir sur l'appareil, déconnectez l'alimentation électrique  
 Desconectar el alimentación antes cualquier intervención sobre el aparato

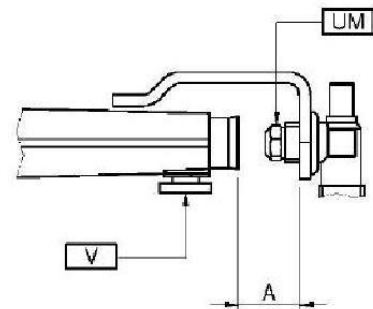
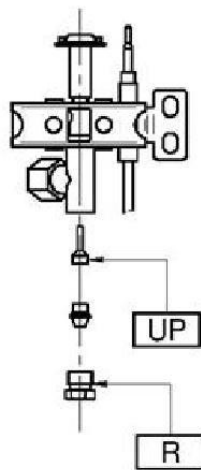
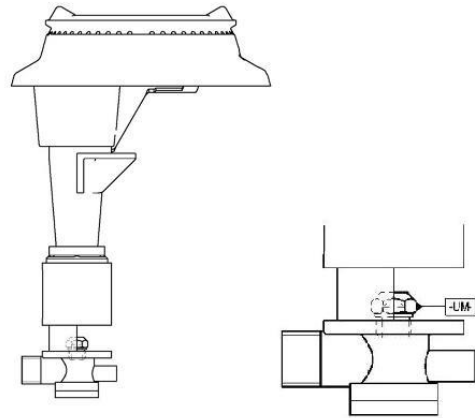
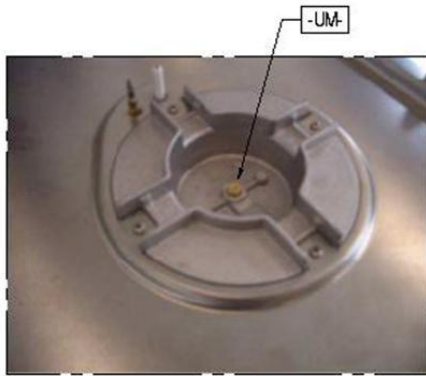
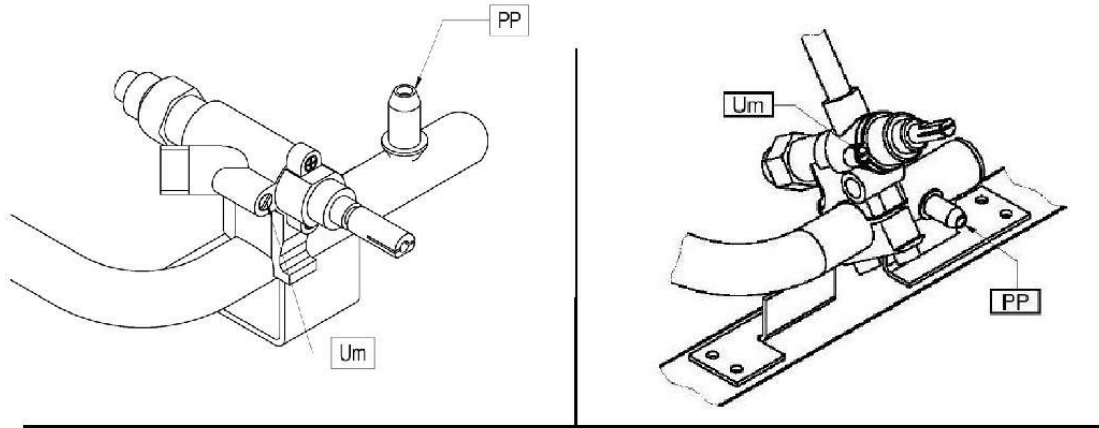
MISURE IN cm - DIMENSIONS IN cm - ABMESSUNGEN IN cm - MESURES EN cm - MEDIDAS EN cm - MATEN IN cm

G - Attacco arrivo gas - Gasanschluss - Gas connection Arrivée gaz - Union de gas - Gasaansluiting EN 10226-1 R 1/2; EN ISO 228-1 G 1/2 (DK)  
 E - Pressacavo entrata linea elettrica / Stopfbuchse / Electric cable stress relief / Presse étoupe de câble él Pisacable / Elektrische kabelwartel  
 D - Attacco scarico acqua - Wasserablauf - Water outlet - Vidange de l'eau - Desaguadero - Wateraftapaansluiting EN ISO 228-1 G 1  
 H2O - Attacco arrivo acqua - Wasseranschluss - ater inlet - Arrivée eau - Union de agua - Wateraansluiting EN ISO 228-1 G 3/4

H	SCHEMA DI INSTALLAZIONE INSTALLATION DIAGRAM INSTALLATIONSPLAN SCHEMA DE INSTALLATION ESQUEMA DE INSTALACIÓN	MODELLO PIANO COTTURA ELETTRICO DROP IN ELECTRIC COOKING TOP DROP IN ELEKTROKOCHEFELD DROP IN TABLE DE CUISSON ELECTRIQUE DROP IN PLANO DE COCCION ELECTRICO DROP IN	DATA	18/12/2014	CODICE
			DISEGNATORE	Possamai F.	
			CONTROLLATO	Possamai F.	<b>2551077.00</b>
			FOGLIO: 1/1		

LA DITTA SI RISERVA, A TERMINI DI LEGGE, LA PROPRIETA' DI QUESTO DISEGNO CON DIVIETO DI RIPRODURLO O RENDERLO PUBBLICO A TERZI SENZA LA SUA AUTORIZZAZIONE

VII. FIGURE – ABB. – FIG. FIGURE-FIG.-IMAGE-ABB.-CIFRAS-AFBEELDINGEN



**VIII. TAB1 - DATI TECNICI - TECHNICAL DATA - TECHNISCHE DATEN - CARACTERISTIQUES TECHNIQUES - DATOS TECNICOS - TECHNISCHE GEGEVENS Ugelli e regolazioni - Nozzles and settings - Buses et les paramètres - Dusen und Einstellungen - Boquillas y los ajustes - Verstuivers en regelingen**

		TAB1														
Gas Gaz	Pa (mbar)	UM UP A Um	600					650								
			FA 2.8 kW	FA 3.3 kW	FA/P 3.3 kW	FA/P 3.6 kW	FG 2.3 kW	FA 3.6 kW	FA 5 kW	FA 7.5 kW	FA 8.8 kW	FA/P 3,7 kW	FA/P 5.5 kW	FG 5 kW	FGG 7.5 kW	TP 8.2 kW
			G20 G20/G25	20 20/25	UM	115	135	130	140	113	142	175	215	225L	145	180
		UP	-	-	-	-	-	-	-	35	35	35	35	-	-	35
		A (mm)	-	-	-	-	-	2	3	2.5	24	3	12	0	8	26
		Um	REG	REG	REG	REG	-	REG	REG	REG	REG	REG	REG	REG	REG	REG
G25	20	UM	134	145	152	157	128	160	200	230	250L	160	200	200	255	240L
		UP	-	-	-	-	-	-	-	35	35	35	35	-	-	35
		A (mm)	-	-	-	-	-	2	3	2.5	24	3	12	0	8	26
		Um	REG	REG	REG	REG	-	REG	REG	REG	REG	REG	REG	REG	REG	REG
G25	25	UM	121	138	137	150	120	142	175	215	225L	145	180	180	240	215L
		UP	-	-	-	-	-	-	-	35	35	35	35	-	-	35
		A (mm)	-	-	-	-	-	2	3	2.5	24	3	12	0	8	26
		Um	REG	REG	REG	REG	-	REG	REG	REG	REG	REG	REG	REG	REG	REG
G20	25	UM	113	124	123	132	106	-	-	-	-	-	-	-	-	-
		UP	-	-	-	-	-	-	-	-	-	-	-	-	-	-
		A (mm)	-	-	-	-	-	-	-	-	-	-	-	-	-	-
		Um	REG	REG	REG	REG	-	-	-	-	-	-	-	-	-	-
G25.1	25	UM	132	138	137	152	128	-	-	-	-	-	-	-	-	-
		UP	-	-	-	-	-	-	-	-	-	-	-	-	-	-
		A (mm)	-	-	-	-	-	-	-	-	-	-	-	-	-	-
		Um	REG	REG	REG	REG	-	-	-	-	-	-	-	-	-	-
G30/G31	28-30/37 28-30	UM	85	95	95	100	76	97	113	140	150L	95	120	120	150	145L
		UP	-	-	-	-	-	-	-	20	20	20	20	-	-	20
		A (mm)	-	-	-	-	-	0	0	OPEN	27	3	14	0	9	14
		Um	44	65	44	65	-	60	60	90	80	50	70	55	85	90
G30/G31	37	UM	80	87	89	95	72	-	-	-	-	-	-	-	-	-
		UP	-	-	-	-	-	-	-	-	-	-	-	-	-	-
		A (mm)	-	-	-	-	-	-	-	-	-	-	-	-	-	-
		Um	44	65	44	65	-	-	-	-	-	-	-	-	-	-
G30/G31	50	UM	75	75	80	80	67	85	105	120	135L	85	105	100	130	130
		UP	-	-	-	-	-	-	-	20	20	20	20	-	-	20
		A (mm)	-	-	-	-	-	2	7	3.5	27	3	12	0	9	28
		Um	44	65	44	65	-	60	60	90	70	45	60	55	75	90
G110	8	UM	280	315	280	315	225	280	360	470	460L	280	350	480LF	-	450L
		UP	-	-	-	-	-	-	-	35	REG	REG	REG	-	-	REG
		A (mm)	-	-	-	-	-	1.5	2.5	OPEN	25	3	1	OPEN	-	25
		Um	OPEN	OPEN	OPEN	OPEN	-	REG	REG	REG	REG	REG	REG	REG	-	REG
G120	8	UM	258	300	258	300	210	265	320	-	-	265	330	460L	-	425L
		UP	-	-	-	-	-	-	-	-	-	REG	REG	-	-	REG
		A (mm)	-	-	-	-	-	1.5	2.5	-	-	3	2	OPEN	-	32
		Um	OPEN	OPEN	OPEN	OPEN	-	REG	REG	-	-	REG	REG	REG	-	REG

Pa : Pressione di allacciamento - Anschlussdruck - Supply pressure - Pression de raccordement - Presión de conexión - Aansluitdruck  
UM : Ugello MAX - Duse MAX - MAX nozzle - Buse MAX - Boquilla MAX. - Sproeier MAX  
Um : Ugello MIN - Duse MIN - MIN nozzle - Buse MIN - Boquilla MIN - Sproeier MIN  
UP : Pilota - Zündbrenner - Pilot - Veilleuse gaz - Piloto - Waakvlam  
A : Apertura Aereatore - Öffnen Luftring - Aerator Opening - Ouverture Aérateur - Abertura del aireador - Opening beluchter  
FA : Fuoco aperto - Offene Kochstellen - Open burner - Feux vifs - Fuego abietto - Open brander  
FG : Forno - Backofen - Oven - Four - Hornos - Oven  
FGG : Forno maxi - Backofen maxi - Oven maxi - Four à maxi - Horno maxi - Oven maxi  
TP : Tuttapiastro - Glühplatte - Cooking hot plate - Plaque coup-de-feu - Placas radiantes - Gloeiplaatgaard  
REG : Regolato - Eingestellt - Regulated - Règle - Regulado - Geregeld  
P : Piastra riscaldante - Warmplatte - Warming plate - Plaque chauffante - Placa de calentamiento - Straalplaten  
(1) Boccola con diametro interno 16mm - Lufthülse mit innendurchmesser 16mm benutzen - Use air regulator with inner diameter of 16mm - Utiliser le régulation de l'air ayant un diamètre intérieur de 16mm - Utilizar el regulador de aire con diámetro interior 16mm - Gebruik luchtregelaar met een inwendige diameter van 16mm  
\* by pass 100 da tutto chiuso aperto 2 giri  
\*\*by pass 120 da tutto chiuso aperto 3 giri



**TAB2 - DATI TECNICI - TECHNICAL DATA - TECHNISCHE DATEN - CARACTERISTIQUES TECHNIQUES - DATOS TECNICOS - TECHNISCHE GEGEVENS** **Categorie e pressioni - Categories and pressures - Catégories et pressions - Kategorien e Druck - Las categorías y las presiones - Categorieën en druk**

Paese Land Country Pays Pais	Categoria Kategorie Category Catégorie Categoria Categoriae	Gas-Gaz	Pressione di allacciamento Anschlussdruck Supply pressure Pression de raccordment Pression de connexion Aansluitdruk (mbar)		
			Nom. Neen. Norm. Normal	Min.	Max
PL	I2E	G20	20	17	25
LU CY	I3+	G30/G31	28-30/37	20/25	35/45
NO CY MT IS HU	I3B/P	G30/G31	28-30	25	35
PL	I3B/P	G30/G31	37	25	45
BE FR	II2E+3+	G20/G25	20/25	17/20	25/30
		G30/G31	28-30/37	20/25	35/45
DE	II2ELL3B/P	G20	20	17	25
		G25	20	18	25
		G30/G31	50	42,5	57,5
ES GB GR IE IT PT SK CH	II2H3+	G20	20	17	25
		G30/G31	28-30/37	20/25	35/45
MK UA FI BG EE LV LT CZ SI TR HR RO SK SE DK AL NO RA	II2H3B/P	G20	20	17	25
		G30/G31	28-30	25	35
AT CH	II2H3B/P	G20	20	17	25
		G30/G31	50	42,5	57,5
HU	II2HS3B/P	G20	25	18	33
		G25.1	25	18	33
		G30/G31	28-30	25	35
		G30/G31	50	42,5	57,5
SE	III1ab2H3B/P	G20	20	17	25
		G30/G31	28-30	25	35
		G110	8	6	15
		G120	8	6	15
DK IT	III1a2H3B/P	G20	20	17	25
		G30/G31	28-30	25	35
		G110	8	6	15
NL	II2L3B/P	G25	25	20	30
		G30/G31	28-30	25	35
LU	II2E3+	G20	20	17	25
		G30/G31	28-30/37	20/25	35/45

**IX. TAB3 - DATI TECNICI - TECHNICAL DATA - TECHNISCHE DATEN - CARACTERISTIQUES TECHNIQUES - DATOS TECNICOS - TECHNISCHE GEGEVENS** Dati tecnici apparecchiature gas - Technical data of gas appliances - Caractéristiques techniques des appareils à gaz - Technische Daten gasgerate - Datos técnicos de los equipos de gas - Technische gegevens gasapparatuur

TAB.3																		
Modelli Modelle Models Modelos Modelos Modellen	Larghezza Breite Width Largeur Anchura Breedte	FA	FA	FA	FG	ΣQn	Σqn	Σqn	Consumo gas complessivo - Gesamtgasverbrauch - Total gas consumption - Consommation totale de gaz - Consumo total de gas - Totaal gasverbruik									
		2.8	3.3	3.6	2.5		G110 (8)	G120 (8)	G20 (20)	G25 (25)	G25 (20)	G20 (25)	G25.1 (25)	G110 (8)	G120 (8)	G30 (29)	G30 (37)	G30 (50)
		kW	kW	kW	kW		kW	kW	kW	m3/h	m3/h	m3/h	m3/h	m3/h	m3/h	m3/h	Kg/h	Kg/h
_60/40 PCG-D	400	1	1			6.1	8.3	8.3	0.65	0.75	0.75	0.65	0.75	2.14	1.91	0.48	0.48	0.48
_60/60 PCG-D	600	2	2			12.2	16.6	16.6	1.29	1.5	1.5	1.29	1.5	4.28	3.81	0.96	0.96	0.96
_60/30 PCG	300	1	1			6.1	8.3	8.3	0.65	0.75	0.75	0.65	0.75	2.14	1.91	0.48	0.48	0.48
_60/30 PCG/P	300		1	1		6.9	13	13	0.73	0.85	0.85	0.73	0.85	3.35	2.98	0.54	0.54	0.54
_60/60 PCG	600	2	2			12.2	16.6	16.6	1.29	1.50	1.50	1.29	1.50	4.28	3.81	0.96	0.96	0.96
_60/60 PCG/P	600		2	2		13.8	26	26	1.46	1.70	1.70	1.46	1.70	6.71	5.97	1.09	1.09	1.09
_60/90 PCG	900	2	3			15.5	22.1	22.1	1.64	1.91	1.91	1.64	1.90	5.70	5.07	1.22	1.22	1.22
_60/90 PCG/P	900		2	3		17.4	33.5	33.5	1.84	2.14	2.14	1.84	2.14	8.65	7.69	1.37	1.37	1.37
_60/60 CFG	600	2	2			12.2	16.6	16.6	1.29	1.50	1.50	1.29	1.50	4.28	3.81	0.96	0.96	0.96
_60/60 CFGE	600	2	2			12.2	16.6	16.6	1.29	1.50	1.50	1.29	1.50	4.28	3.81	0.96	0.96	0.96
_60/60 CFGE/P 2/3	600	2	2			12.2	16.6	16.6	1.29	1.50	1.50	1.29	1.50	4.28	3.81	0.96	0.96	0.96
_60/90 CFGE	900	2	3			15.5	22.1	22.1	1.64	1.91	1.91	1.64	1.90	5.70	5.07	1.22	1.22	1.22
_60/90 CFGE/P	900		2	3		17.4	33.5	33.5	1.84	2.14	2.14	1.84	2.14	8.65	7.69	1.37	1.37	1.37

**TAB.3**

Modelli Modelle Models Modelos Modelos Modellen	Larghezza Breite Width Largeur Anchura Breedte	FA 3.5 kW	FA 3.6 kW	FA 5 kW	FA 7.5 kW	FG 5 kW	FA 3.7 kW	FA 5.5 kW	FG 7.5 kW	TP 8.2 kW	ΣQn kW	Σqn G110 (8) kW	Σqn G120 (8) kW	Consumo gas complessivo - Gasamtgasverbrauch - Total gas consumption - Consommation totale de gaz - Consumo total de gas - Totaal gasverbruik									
														G20 (20)	G25 (25)	G25 (20)	G20 (25)	G25.1 (25)	G110 (8)	G120 (8)	G30 (29)	G30 (37)	G30 (50)
														m3/h	m3/h	m3/h	m3/h	m3/h	m3/h	m3/h	Kg/h	Kg/h	Kg/h
_65/40 PG/40 P	400				1						7.5	-	-	0.79	0.92	0.92	0.79	0.92	-	-	0.59	0.59	0.59
_65/40 PCG	400		1	1							8.6	8.6	8.6	0.91	1.06	1.06	0.91	1.06	2.22	1.97	0.68	0.68	0.68
_65/70 PCG	700		2	2							17.2	17.2	17.2	1.82	2.12	2.12	1.82	2.11	4.44	3.95	1.36	1.36	1.36
_CEG/70	700		2	2							17.2	17.2	17.2	1.82	2.12	2.12	1.82	2.11	4.44	3.95	1.36	1.36	1.36
_CEG/110	1100		3	3							25.8	25.8	25.8	2.73	3.18	3.18	2.73	3.17	6.66	5.92	2.03	2.03	2.03
_65/40 PCG/P	400						1	1			9.2	9.2	9.2	0.97	1.13	1.13	0.97	1.13	2.37	2.11	0.73	0.73	0.73
_65/70 PCG/P	700						2	2			18.4	18.4	18.4	1.95	2.26	2.26	1.95	2.26	4.75	4.22	1.45	1.45	1.45
_65/70 CFG	700		2	2		1					22.2	22.2	22.2	2.35	2.73	2.73	2.35	2.73	5.73	5.10	1.75	1.75	1.75
_65/70 CFGE	700		2	2							17.2	17.2	17.2	1.82	2.12	2.12	1.82	2.11	4.44	3.95	1.36	1.36	1.36
_65/110 CFG	1100		3	3		1					30.8	30.8	30.8	3.26	3.79	3.79	3.26	3.78	7.95	7.07	2.43	2.43	2.43
_65/110 CFGE	1100		3	3							25.8	25.8	25.8	2.73	3.18	3.18	2.73	3.17	6.66	5.92	2.03	2.03	2.03
_65/110 CFGG	1100		3	3					1		33.3	-	-	3.52	4.10	4.10	3.52	4.09	-	-	2.63	2.63	2.63
_65/70 TPG	700									1	8.2	8.2	8.2	0.87	1.01	1.01	0.87	1.01	2.12	1.88	0.65	0.65	0.65
_65/70 TPGG	700					1				1	13.2	13.2	13.2	1.40	1.62	1.62	1.40	1.62	3.41	3.03	1.04	1.04	1.04
_65/110 TPGG	1100		1	1		1				1	21.8	21.8	21.8	2.31	2.68	2.68	2.31	2.68	5.63	5.01	1.72	1.72	1.72
_FPG/55	550	1									3.5	-	-	0.37	0.43	0.43	0.37	0.43	-	-	0.28	0.28	0.28

**X. TAB4 - DATI TECNICI - TECHNICAL DATA - TECHNISCHE DATEN - CHARACTERISTIQUES TECHNIQUES - DATOS TECNICOS- TECHNISCHE GEGEVENS** Dati tecnici  
apparecchiature elettriche - Dati tecnici aTechnical data of electric appliances - Caractéristiques techniques des appareils electriques - Technische Daten  
Elektrogerate - Datos técnicos de los equipos eléctricos - Technische gegevens elektrische apparatuur

<b>TAB.4</b>									
Modelli Modelle Models Modelos Modellen	Larghezza Breite Width Largeur Anchura Breedte	Tensione di alimentazione Netzspannung Power supply voltage Tension d'alimentation Tension de alimentacion Voedingsspanning	Fasi Phasen Phases Fases Fasen	Frequenza Frequenz Frequency Fréquence Frecuencia Frequentie	Piastre Platten Plates Plaques Planchas Planten	Potenza massima piastra Hochleistung platten Max. power plates Puissance maximum des plaques Potencia maxima planchas Maximumvermogen platen	Potenza massima forno Hochleistung backofen Max. power oven Puissance maximum du four Potencia maxima horno Maximumvermogen oven	Potenza totale massima Max. gesamtleistung Max. total power Puissance totale maximum Potencia maxima total Max totaal vermogen	Sezione cavo alimentazione Querschnitt netzkabel Power supply cable section Section du cable de alimentation Section del cable de alimentacion Doorsnede elektrisch snoer
	mm	V	Nr. No. Nbre N. A ant.	Hz	Nr. No. Nbre N. A ant.	kW	kW	kW	-
_60/40 PCE-D	400	380-415	3N	50-60	2	3		3	5G1.5
_60/60 PCE-D	600	380-415	3N	50-60	4	6		6	5G1.5
_60/30 PCE	300	380-415	3N	50-60	2	3		3	5G1.5
_60/30 PCE/P	300	380-415	3N	50-60	2	4		4	5G1.5
_60/30 PCE21/P	300	220-240	1N	50-60	2	4		4	3G2.5
_60/60 PCE	600	380-415	3N	50-60	4	6		6	5G1.5
_60/60 PCE/P	600	380-415	3N	50-60	4	8		8	5G2.5
_60/60 PCE21/P	600	220-240	1N	50-60	4	8		8	3G2.5
_60/90 PCE	600	380-415	3N	50-60	5	7.5		7.5	5G2.5
_60/90 PCE/P	600	380-415	3N	50-60	5	10		10	5G2.5
_60/60 CFE	600	380-415	3N	50-60	4	6	2.3	8.3	5G2.5
_60/60 CFE/P 2/3	600	380-415	3N	50-60	4	8	3	11	5G2.5
_60/90 CFE	600	380-415	3N	50-60	4	7.5	3	10.5	5G1.5
_60/90 CFE/P	600	380-415	3N	50-60	4	10	3	13	5G2.5
_60/60 CFGE	600	220-240	1N	50-60			2.3	2.3	3G1.5
_60/60 CFGE/P 2/3	600	220-240	1N	50-60			3	3	3G1.5
_60/90 CFGE	600	220-240	1N	50-60			3	3	3G1.5
_60/90 CFGE/P	600	220-240	1N	50-60			3	3	3G1.5
_65/40 PCE	400	380-415	3N	50-60	2	5.2			5G1.5

Modelli Modelle Models Modelos Modelos Modellen	Larghezza Breite Width Largeur Anchura Breedte	Tensione di alimentazione Netzspannung Power supply voltage Tension d'alimentation Tension de alimentacion Voedingsspanning	Fasi Phasen Phases Fases Fasen	Frequenza Frequenz Frequency Fréquence Frecuencia Frequentie	Piastre Platten Plates Plaques Planchas Planten	Potenza massima piastre Hochleistung platten Max. power plates Puissance maximum des plaques Potencia maxima planchas Maximumvermogen platen	Potenza massima forno Hochleistung backofen Max. power oven Puissance maximum du four Potencia maxima horno Maximumvermogen oven	Potenza totale massima Max. gesamtleistung Max. total power Puissance totale maximum Potencia maxima total Max totaal vermogen	Sezione cavo alimentazione Querschnitt netzkabel Power supply cable section Section du cable de alimentation Seccion del cable de alimentacion Doorsnede elektrisch snoer
	mm	V	Nr. No. Nbre N. A ant.	Hz	Nr. No. Nbre N. A ant.	kW	kW	kW	-
_65/70 PCE	700	380-415	3N	50-60	4	10.4			5G2.5
_65/70 CFE	700	380-415	3N	50-60	4	10.4	3.96	14.36	5G4
_65/70 CFGE	700	380-415	3N	50-60			3.96	3.96	5G1
_65/110 CFGE	1100	380-415	3N	50-60			3.96	3.96	5G1
_FPE/55	550	380-415	3N	50-60	1	8.8		3.5	5G1