

10/2016

Mod: E65/BM4T

Production code: 65/40 BME



Diamond
catering equipment



UK

BAIN MARIE AND POTATO WARMER

Installation-Use-Maintenance



CE



MOD.

_60/30 BME
_60/60 BME
_60/40 BME-D
_60/60 BME-D

_65/40 BME
_65/70 BME
_65/40 BME-D
_65/70 BME-D

_70/40 BME...
_70/70 BME...

_90/40 BME
_90/80 BME
_90/40 BMG
_90/80 BMG

_60/30 SPE
_60/40 SPE-D

_65/40 SPE
_65/40 SPE-D

_70/40 SPE...

_90/40 SPE

Doc.n°	252.443.00
Edition	01

UK - INSTALLATION – USE - MAINTENANCE	16
I. GENERAL PRESCRIPTIONS	16
1. DISPOSAL OF PACKING AND OF THE APPLIANCE	16
II. INSTRUCTIONS FOR INSTALLATION	17
2. REMINDERS FOR THE INSTALLER	17
3. REFERENCE STANDARDS AND LAWS	17
4. UNPACKING	17
5. POSITIONING	17
6. CONNECTIONS	18
7. CONVERSION TO ANOTHER TYPE OF GAS	19
8. COMMISSIONING	19
III. INSTRUCTIONS FOR USE	20
9. REMINDERS FOR THE USER	20
10. USING THE GAS BAIN MARIE	20
11. USING THE ELECTRIC BAIN MARIE	21
12. USING THE POTATO WARMER	22
13. PROLONGED DISUSE	22
IV. INSTRUCTIONS FOR CLEANING	22
14. REMINDERS FOR CLEANING	22
V. INSTRUCTIONS FOR MAINTENANCE	23
15. REMINDERS FOR THE MAINTENANCE TECHNICIAN	23
16. COMMISSIONING	23
17. TROUBLESHOOTING	23
18. REPLACING COMPONENTS	24
19. CLEANING THE INTERIOR	25
20. MAIN COMPONENTS	25
VI. SCHEMI DI INSTALLAZIONE – INSTALLATIONS PLAN - INSTALLATION DIAGRAM – SCHEMA D’INSTALLATION – ESQUEMA DE INSTALACION - INSTALLATIESCHEMA'S	70
VII. FIGURE – ABB. – FIG. FIGURE-FIG.-IMAGE-ABB.-CIFRAS-AFBEELDINGEN	85
VIII. TAB1 - DATI TECNICI - TECHNICAL DATA - TECHNISCHE DATEN - CARACTERISTIQUES TECHNIQUES - DATOS TECNICOS - TECHNISCHE GEGEVENS UGELLI E REGOLAZIONI - NOZZLES AND SETTINGS - BUSES ET LES PARAMÈTRES - DUSEN UND EINSTELLUNGEN - BOQUILLAS Y LOS AJUSTES - VERSTUIVERS EN REGELINGEN	86
IX. TAB2 - DATI TECNICI - TECHNICAL DATA - TECHNISCHE DATEN - CARACTERISTIQUES TECHNIQUES - DATOS TECNICOS - TECHNISCHE GEGEVENS CATEGORIE E PRESSIONI - CATEGORIES AND PRESSURES - CATÉGORIES ET PRESSIONS - KATEGORIEN E DRUCK - LAS CATEGORÍAS Y LAS PRESIONES - CATEGORIEËN EN DRUK	87
X. TAB3 - DATI TECNICI - TECHNICAL DATA - TECHNISCHE DATEN - CARACTERISTIQUES TECHNIQUES - DATOS TECNICOS - TECHNISCHE GEGEVENS DATI TECNICI APPARECCHIATURE GAS - TECHNICAL DATA OF GAS APPLIANCES - CARACTÉRISTIQUES TECHNIQUES DES APPAREILS À GAZ - TECHNISCHE DATEN GASGERATE - DATOS TÉCNICOS DE LOS EQUIPOS DE GAS - TECHNISCHE GEGEVENS GASAPPARATUUR	88
XI. TAB4 - DATI TECNICI - TECHNICAL DATA - TECHNISCHE DATEN - CARACTERISTIQUES TECHNIQUES - DATOS TECNICOS- TECHNISCHE GEGEVENS DATI TECNICI APPARECCHIATURE ELETTRICHE - DATI TECNICI ATECHNICAL DATA OF ELECTRIC APPLIANCES - CARACTÉRISTIQUES TECHNIQUES DES APPAREILS ELECTRIQUES - TECHNISCHE DATEN ELEKTROGERATE - DATOS TÉCNICOS DE LOS EQUIPOS ELÉCTRICOS - TECHNISCHE GEGEVENS ELEKTRISCHE APPARATUUR	89

UK - INSTALLATION – USE - MAINTENANCE

I. GENERAL PRESCRIPTIONS



READ THIS MANUAL CAREFULLY. IT PROVIDES IMPORTANT INFORMATION FOR SAFE INSTALLATION, USE AND MAINTENANCE OF THE APPLIANCE.



FAILURE TO COMPLY WITH WHAT IS PRESENTED BELOW MAY COMPROMISE THE SAFETY OF THE EQUIPMENT.



THE MANUFACTURER WILL NOT BE LIABLE FOR ANY DAMAGE OR INJURY RESULTING FROM FAILURE TO OBSERVING THE FOLLOWING RULES.



TRANSLATION OF THE ORIGINAL INSTRUCTIONS.



APPLIANCES NEED PRECAUTIONS FOR INSTALLATION, PLACING AND/OR FIXATION AND CONNECTION TO THE MAINS. SEE SECTION “INSTALLATION INSTRUCTIONS”.



THE APPLIANCES NEED PRECAUTIONS FOR CLEANING. SEE THE SECTION “INSTRUCTION FOR CLEANING”.



WARNING: IF THE SYMBOL “ HIGH VOLTAGE” IS PLACED ON A PANEL, IT MEANS THIS GIVES ACCESS TO A PART WITH HIGH VOLTAGE.

Keep this manual in a safe place, known to all users, so that it can be consulted throughout the working life of the appliance.

This equipment is designed for cooking food. It is intended for industrial use. Any other use is to be considered improper

This appliance is not intended for use by people (including children) with limited physical, sensory or mental abilities or without experience and knowledge of it.

Unless they are supervised or instructed in its use by a person responsible for their safety.

Do not leave the appliance unattended in presence of children and ensure that the latter do not have access to the appliance.

The appliance must be used by trained personnel. Do not leave the appliance unattended when operating.



DO NOT STORE " INFLAMMABLE MATERIALS IN CLOSE PROXIMITY TO THE APPLIANCE. FIRE HAZARD.

The appliance must be installed in a well-ventilated room.

Inadequate ventilation causes asphyxia. Do not obstruct the ventilation system of the place where the appliance is installed. Do not obstruct the vents or ducts of this or other appliances.

In the event of an appliance fault or malfunction, shut the gas shut-off valve and/or switch the appliance off at the main switch installed upstream.

Installation and conversion to a different type of gas must be carried out by qualified technicians authorized by the manufacturer, in compliance with current safety standards and the instructions in this manual.

Appliance maintenance and conversion to a different type of gas must be carried out by qualified technicians authorized by the manufacturer, in compliance with current safety standards and the instructions in this manual.

Clean the appliance following the instructions given in Chapter “ INSTRUCTIONS FOR CLEANING”.

1. DISPOSAL OF PACKING AND OF THE APPLIANCE

PACKING

The packing is made using environmentally friendly materials. The plastic recyclable components are:

- the transparent cover, the bags containing the instructions manual and nozzles (made of

Polyethylene - PE).

- the straps (in Polypropylene - PP).

APPLIANCE

The appliance is manufactured 90% from recyclable metals (stainless steel, aluminium sheet, copper.. ..).

The appliance must be scrapped in compliance with current regulations governing such disposal.

Make the appliance unusable before scrapping.

It must be disposed of properly.



THE SYMBOL SHOWING A CROSSED-OUT WASTE CONTAINER ON THE UNIT OR PACKAGE INDICATES THAT, AT THE END OF ITS LIFE CYCLE, THE PRODUCT MUST BE COLLECTED SEPARATE FROM OTHER WASTE.

THE DIFFERENTIATED COLLECTION OF THIS EQUIPMENT IS ORGANISED AND MANAGED BY THE PRODUCER.

THE USER WHO INTENDS TO GET RID OF THIS EQUIPMENT SHALL CONTACT THE PRODUCER AND FOLLOW THE SYSTEM THAT THE LATTER HAS USED IN ORDER TO COLLECT THE EQUIPMENT SEPARATELY AT THE END OF ITS LIFE.

PROPER SEPARATE COLLECTION HELPS PREVENT POSSIBLE NEGATIVE IMPACTS ON THE ENVIRONMENT AND HEALTH, AND FAVOURS THE REUSE AND/OR RECYCLING OF THE UNIT'S MATERIALS.

ABUSIVE DISPOSAL OF THE PRODUCT BY THE HOLDER WILL RESULT IN THE APPLICATION OF PENALTIES AS PER CURRENT STANDARDS.

II. INSTRUCTIONS FOR INSTALLATION

2. REMINDERS FOR THE INSTALLER



READ THIS MANUAL CAREFULLY. IT PROVIDES IMPORTANT INFORMATION FOR SAFE INSTALLATION, USE AND MAINTENANCE OF THE APPLIANCE.



FAILURE TO COMPLY WITH WHAT IS PRESENTED BELOW MAY COMPROMISE THE SAFETY OF THE EQUIPMENT.



THE MANUFACTURER WILL NOT BE LIABLE FOR ANY DAMAGE OR INJURY RESULTING FROM FAILURE TO OBSERVING THE FOLLOWING RULES.

Identify the specific appliance model. The model number is detailed on the packing and on the appliance dataplate.

The appliance must be installed in a well-ventilated room.

Installation and conversion to a different type of gas must be carried out by qualified technicians authorized by the manufacturer, in compliance with current safety standards and the instructions in this manual.

Appliance maintenance and conversion to a different type of gas must be carried out by qualified technicians authorized by the manufacturer, in compliance with current safety standards and the instructions in this manual.

Do not obstruct any air vents or drains present on the appliance.

Do not tamper with appliance components.

3. REFERENCE STANDARDS AND LAWS

Install the appliance in accordance with the safety standards in force in the country.

4. UNPACKING

Check the state of the packing and in the event of damage, ask the delivery person to inspect the goods.

Remove the packing.

Remove the protective film from the outer panels. Use a suitable solvent to remove any residual adhesive from the panels.

5. POSITIONING

The overall dimensions of the appliance and the position of connections are given on the installation diagram at the end of this manual.

The appliance can be installed singly or in combination with other appliances in the same product range.

The appliance is not suitable for integrated installation.

Position the appliance at least 10 cm from adjacent walls.

If the appliance is to be placed near walls, dividers, kitchen furniture, decorative elements etc. this must be made of non-combustible materials. Otherwise, they must be covered with suitable non-combustible heat insulating materials. Level the appliance by means of the height-adjustable feet.

APPLIANCE ASSEMBLY WITH BASE AND BRIDGE

Follow the instructions provided with the type of support utilized.

FUMES EXHAUST SYSTEM

Create a fumes exhaust system based on the "Type" of appliance. The "Type" is stated on the appliance dataplate.

" A1 " TYPE APPLIANCE

Position the "A1" type appliance below an extractor hood to ensure smoke and fumes generated by cooking are removed.

" B21 " TYPE APPLIANCE

Position the "B21" type appliance below an extractor hood.

" B11 " TYPE APPLIANCE

Fit the "B11" type appliance with a suitable flue, available from the appliance manufacturer. Follow the assembly instructions provided with the flue. Connect the flue to a 150/155 mm diameter hose, heat resistant to 300°C. Vent to the outside or into an efficient flue. The hose length must not exceed 3 metres.

6. CONNECTIONS

The position and dimensions of connections are given in the installation diagram at the end of this manual.

CONNECTION TO THE GAS SUPPLY

Check that the appliance is designed to operate with the type of gas supply present on site. Check the information given on the decals on the packing and appliance.

Convert the appliance to the local gas type, if necessary. Follow the instructions at the next paragraph "Conversion to a different type of gas". On top appliances a rear connection is also available. Remove the plug present and screw it tightly onto the front connector. A rapid-action gas shut-off valve must be fitted upstream of the appliance in an easily accessible position. Do not use connection pipes having a diameter smaller than that of the appliance's gas connector. Once the appliance has been installed, check for gas leaks at the connection points.

ELECTRICAL CONNECTIONS

Check if the appliance is designed to operate at the voltage and frequency of the power supply present on site. Check the details given on the appliance dataplate and plaque near the terminal board.

Install upstream of the equipment in an easily accessible place, an all-pole disconnecting device with a contact gap of allowing full disconnection under the conditions of overvoltage category III. A flexible rubber cable with insulation specifications not lower than type H05 RN-F must be used for connection.

Connect the power supply cable to the terminal board as shown in the wiring diagram supplied with the appliance.

Secure the power supply cable with the cable clamp.


Protect the power supply cable on the outside of the appliance with a rigid plastic or metal pipe.


If the power supply cable is damaged, it must be replaced by the manufacturer or his service centre or by a person with similar qualifications to prevent any risk.



WARNING: IF THE SYMBOL " HIGH VOLTAGE" IS PLACED ON A PANEL, IT MEANS THIS GIVES ACCESS TO A PART WITH HIGH VOLTAGE.

PROTECTIVE EARTH AND EARTH BONDING CONNECTIONS

Connect the appliance to an efficient ground circuit. Connect the earth conductor to the terminal with the symbol  next to the main terminal board.

Connect the metal structure of the appliance to the equipotential node. Connect the conductor to the terminal with the symbol  on the outside part of the bottom.

CONNECTION TO THE WATER SUPPLY

The appliance must be connected to a potable water supply. The water inlet pressure must be between 150 kPa and 300 kPa. Use a pressure reducer if the inlet pressure is above the maximum permitted level.

Install a mechanical filter and a shut-off valve upstream of the appliance in an easily accessible point.

Make sure the water circuit is free of ferrous particles before connecting the filter and the appliance.

Seal any unused connectors with a plug.

Once the appliance has been installed, check for gas leaks at the connection points.

CONNECTION TO THE WATER DRAIN

The water drainage system must be made using materials resistant to temperatures of 100 °C. The bottom of the appliance must not be subjected to steam produced by drainage of hot water.

Install a siphoned floor drain with grating below the water drain cock of Boiling pans and in front of Bratt pans.



7. CONVERSION TO ANOTHER TYPE OF GAS

Table Tab1 specifies:

- which gas can be used for the appliance.
- the nozzles and settings for each gas that can be used.

For nozzles, the number indicated in table TAB1 is also stamped on the body of nozzles.

To convert the appliance to the local gas type, follow the instructions given in TAB1 and carry out the steps below:

- Replace the main burner nozzle (UM).
- Adjust the main burner's air regulator to distance A.
- Replace the pilot burner nozzle (UP).
- Adjust the pilot burner air flow (if necessary).
- Replace the gas valve minimum nozzle (Um).
- Affix the adhesive tab indicating the new type of gas used.
- The nozzles and adhesive tabs are supplied with the appliance.

REPLACING THE NOZZLE AND THE MAIN BURNER PRIMARY AIR REGULATION

Remove the control panel.

Remove the entire gas assembly (cock, gas pipe, main and pilot burner, front combustion chamber wall).

Slacken screw V.

Remove nozzle UM and replace it with the one indicated in table TAB1.

Retighten nozzle UM.

Position the air regulator at distance A as indicated in table TAB1.

Retighten screw V fully.

Reassemble all parts. For assembly, proceed in reverse order.

REPLACING THE PILOT BURNER NOZZLE

Remove the control panel.

Undo connector R.

Remove nozzle UP and replace it with the one indicated in table TAB1.

Retighten connector R. Reassemble all parts.

Following, in reverse order, the sequence used for their removal.

REPLACING THE MINIMUM ADJUSTMENT SCREW

Remove the control panel.

Remove nozzle UM and replace it with the one indicated in table TAB1.

Retighten nozzle UM.

Reassemble all parts. For assembly, proceed in reverse order.

8. COMMISSIONING

Following installation, conversion to a different type of gas or any maintenance operations, check appliance operation. In the event of any malfunction, consult the next Paragraph " Troubleshooting " .

GAS APPLIANCES

Switch on the appliance as directed in the instructions and reminders for use given in Chapter " INSTRUCTIONS FOR USE " and check:

- the gas supply pressure (see next Paragraph).
- the correct ignition of the burners and the effectiveness of the fumes removal system.

CHECKING THE GAS SUPPLY PRESSURE

To measure the gas supply pressure use a manometer with a minimum definition of 0,1 mbar. Remove the control panel. Remove the screw from on pressure test point PP and connect the manometer to the test point. Make the measurement with the appliance in operation.



IMPORTANT! IF THE GAS SUPPLY PRESSURE IS NOT WITHIN THE LIMITS (MIN. - MAX) INDICATED IN TABLE TAB2, CEASE OPERATION OF THE APPLIANCE AND CONTACT THE GAS UTILITY COMPANY.

Disconnect the manometer and retighten the retaining screw on the pressure connection.

ELECTRIC EQUIPMENT

Switch on the appliance as directed in the instructions and reminders for use given in Chapter " INSTRUCTIONS FOR USE " and check:

- the current values of each phase.
- the correct operation of the heating elements.

II. INSTRUCTIONS FOR USE

9. REMINDERS FOR THE USER



READ THIS MANUAL CAREFULLY. IT PROVIDES IMPORTANT INFORMATION FOR SAFE INSTALLATION, USE AND MAINTENANCE OF THE APPLIANCE.



THE MANUFACTURER WILL NOT BE LIABLE FOR ANY DAMAGE OR INJURY RESULTING FROM FAILURE TO OBSERVING THE FOLLOWING RULES.

For after-sales service, contact technical assistance centres authorized by the manufacturer and demand the use of original spare parts.

Have the appliance serviced at least twice a year. The manufacturer recommends taking out a service contract.

The appliance is designed for professional use and must be operated by trained personnel.

The appliance is to be used for cooking food as specified in the prescriptions for use. Any other use is considered to be improper.

Do not allow the appliance to operate empty for prolonged periods. Only pre-heat the oven just

before use.

Do not leave the appliance unattended while in operation.

In the event of an appliance fault or malfunction, shut the gas shut-off valve and/or switch the appliance off at the main switch installed upline.

Clean the appliance following the instructions given in Chapter " INSTRUCTIONS FOR CLEANING".



DO NOT STORE " AMMABLE MATERIALS IN CLOSE PROXIMITY TO THE APPLIANCE. FIRE HAZARD.

Do not obstruct any air vents or drains present on the appliance.

Do not tamper with appliance components.

Keep this manual in a safe place, known to all users, so that it can be consulted throughout the working life of the appliance.

Installation and appliance maintenance must be carried out by qualified technicians authorized by the manufacturer, in compliance with current safety standards and the instructions in this manual.

Appliance maintenance and conversion to a different type of gas must be carried out by qualified technicians authorized by the manufacturer, in compliance with current safety standards and the instructions in this manual.

10. USING THE GAS BAIN MARIE

The appliance is designed for indirect cooking of foods in cooking receptacles and for keeping food warm in a bain marie.

Do not light the pilot burner or leave it on when there is no water in the well.

Do not activate the heating system when there is no water in the well.

While the appliance is on, the water level must be maintained level with or above the minimum level indicated on the wall of the well.

At the end of each day, clean the well thoroughly in order to prevent the formation of corrosive deposits.

FILLING AND EMPTYING OF THE TANK

FILLING

The top version equipments don't have a frontal drain located on the control panel.

Make sure the drain is closed, lever totally turned right.

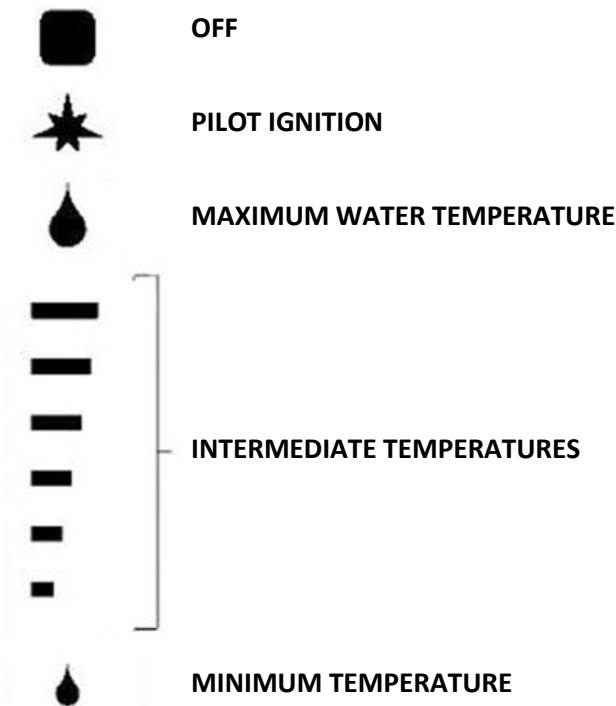
Fill the well until the water is level with the maximum level indicated on the wall of the well. Do not use the appliance with the water level above the maximum indicated level.

EMPTYING

- Turn the lever clockwise. The drain is fully open when the handle is totally turned left. If is necessary empty the tank more times.
- The 600 and 700 series equipments are provided with frontal drain and drainpipe with bayonet cap.

BURNER IGNITION AND EXTINCTION

The gas tap control knob has the following positions:



PILOT IGNITION

- Press and turn knob to “pilot on”.
- Press the knob down fully and light the pilot using the piezoelectric igniter.
- Hold the knob down for about 20 seconds before releasing it. If the pilot flame goes out, repeat the operation.
- The pilot flame can be seen through the peep hole on the control panel.
- The pilot burner can be lit by passing a flame through the bullseye on the bottom of the appliance.

MAIN BURNER IGNITION

- Turn the knob to the chosen temperature setting for cooking.

TURNING OFF

- To switch the main burner off, press and turn the knob to position “pilot on”.
- To switch off the pilot flame, press and turn the knob to position " Off " .

11. USING THE ELECTRIC BAIN MARIE



WARNING!

The appliance is designed for indirect cooking of foods in cooking receptacles and for keeping food warm in a bain marie.

Do not activate the heating system when there is no water in the well.

While the appliance is on, the water level must be maintained level with or above the minimum level indicated on the wall of the well.

The appliance is equipped with a manual reset safety thermostat that interrupts heating when the operating temperature exceeds the maximum permitted value.

At the end of each day, clean the well thoroughly in order to prevent the formation of corrosive deposits.

FILLING AND EMPTYING OF THE TANK

FILLING

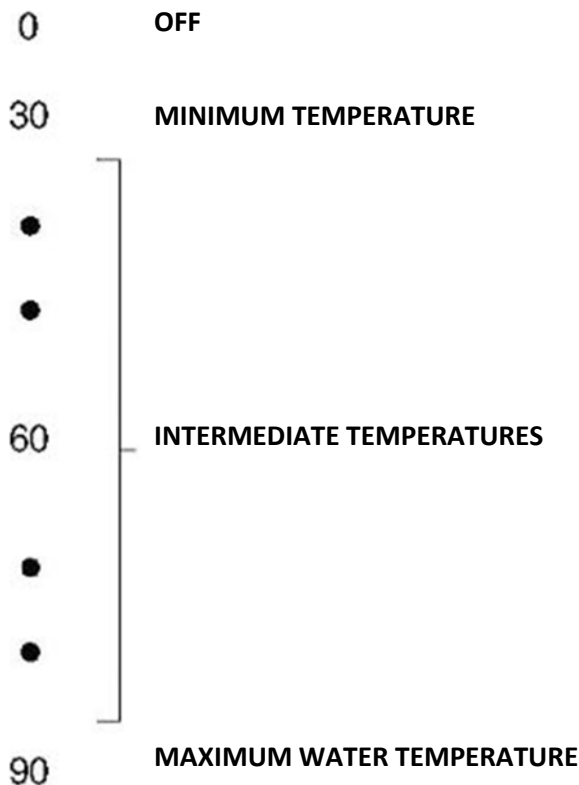
- Insert the overflow pipe in the drain hole of the well.
- Fill the tank up to the maximum level mark this on the wall of the tank.
- Do not use the equipment with a water level higher than the maximum level mark.

EMPTYING

- Remove the overflow pipe from the drain hole of the well.

SWITCHING ON AND OFF

The control knob has the following positions of use:



SWITCHING ON

- Turn the knob to the chosen temperature setting for cooking.
- The yellow indicator light switches on.
- The yellow indicator light switches off when the oven reaches the set temperature.

TURNING OFF

- Turn the knob to position "0".
- The yellow indicator light switches off.

12. USING THE POTATO WARMER

Appliance works without water. Foods are heated directly in the removable container supplied with the appliance.



BEWARE OF THE APPLIANCE'S HOT SURFACES!

The capability of the lamp to store and even out the heat also keeps it hot for a long time after switching it off.

Operation of the tank

The thermostat control knob has the following positions:

0 OFF

SWITCHING ON

- turn the knob

TURNING OFF

- Turn the knob to position "0".

DRAIN THE CONTAINER TAKE

To drain the container take it off from appliance. To do this follow this indications:

- protect hands from heat (for example using suitable gloves); protect body from accidental hot sprinkles during lifting, transport and emptying of container.

The container where hot foods are emptied must be large enough and of heat resistant material.

13. PROLONGED DISUSE

Before any prolonged disuse of the appliance, proceed as follows:

- Clean the appliance thoroughly.
- Rub stainless steel surfaces with a cloth soaked in vaseline oil to create a protective film.
- Close cocks or main switches ahead of the appliances.

Following prolonged disuse, proceed as follows:

- Inspect the appliance thoroughly before using it again.
- Allow electric appliances to operate at the lowest temperature for at least 60 minutes.

V. INSTRUCTIONS FOR CLEANING

14. REMINDERS FOR CLEANING



READ THIS MANUAL CAREFULLY. IT PROVIDES IMPORTANT INFORMATION FOR SAFE INSTALLATION, USE AND MAINTENANCE OF THE APPLIANCE.



THE MANUFACTURER WILL NOT BE LIABLE FOR ANY DAMAGE OR INJURY RESULTING FROM FAILURE TO OBSERVING THE FOLLOWING RULES.



DISCONNECT THE APPLIANCE ELECTRIC SUPPLY, IF PRESENT, BEFORE CARRYING OUT ANY OPERATION.

Clean the satin finish stainless steel exterior surfaces, the cooking wells and the surface of the hotplates every day.

At least twice a year, have an authorized technician clean the internal parts of the appliance.

Do not use corrosive products to clean the floor beneath the appliance.

Do not use direct or high pressure water jets to clean the appliance.

SATIN FINISH STAINLESS STEEL SURFACES

Clean the surfaces with a cloth or sponge using water and proprietary non-abrasive detergents. Follow the direction of the satin finish lines. Rinse repeatedly and dry thoroughly.

Do not use pan scourers or other iron items.

Do not use chemical products containing chlorine.

Do not use sharp objects which might scratch and damage the surfaces.

THE COOKING WELLS

Clean the wells by bringing the water to the boil, with the addition of grease remover detergent if necessary.

Remove any limescale deposits with a proprietary limescale remover.

v. INSTRUCTIONS FOR MAINTENANCE

15. REMINDERS FOR THE MAINTENANCE TECHNICIAN



THE MANUFACTURER WILL NOT BE LIABLE FOR ANY DAMAGE OR INJURY

RESULTING FROM FAILURE TO OBSERVING THE FOLLOWING RULES.

Identify the specific appliance model. The model number is detailed on the packing and on the appliance dataplate.

The appliance must be installed in a well-ventilated room.

Do not obstruct any air vents or drains present on the appliance.

Do not tamper with appliance components.

Appliance maintenance and conversion to a different type of gas must be carried out by qualified technicians authorized by the manufacturer, in compliance with current safety standards and the instructions in this manual.

CONVERSION TO ANOTHER TYPE OF GAS

See Chapter "Instructions for installation".

16. COMMISSIONING

See Chapter "Instructions for installation".

17. TROUBLESHOOTING

GAS BAIN MARIE

THE PILOT BURNER DOES NOT LIGHT.

Possible causes:

- Insufficient gas supply pressure.
- Blocked tubing or nozzle.
- Defective gas tap
- Igniter defective or not properly connected.
- Igniter or igniter wire defective.

PILOT BURNER GOES OUT DURING USE.

Possible causes:

- Insufficient gas supply pressure.
- Defective gas tap or valve.
- Defective thermocouple or insufficient heating.
- Thermocouple incorrectly connected to gas tap or valve.
- Knob of gas tap or valve not pressed sufficiently.

THE MAIN BURNER DOES NOT LIGHT (EVEN THOUGH PILOT IS LIT).

Possible causes:

- Insufficient gas supply pressure.
- Blocked tubing or nozzle.
- Defective gas tap or valve.
- Defective burner (gas outlet holes clogged).

HEATING CANNOT BE ADJUSTED.

Possible causes:

- Defective gas tap or valve.

ELECTRIC BAIN MARIE

THE APPLIANCE DOES NOT HEAT.

Possible causes:

- Temperature thermostat defective.
- Heating elements defective.

HEATING CANNOT BE ADJUSTED.

Possible causes:

- Temperature thermostat defective.

POTATO WARMER

THE APPLIANCE DOES NOT HEAT.

Possible causes:

- Temperature thermostat defective.
- Heating elements defective.

HEATING CANNOT BE ADJUSTED.

Possible causes:

- Temperature thermostat defective.

18. REPLACING COMPONENTS

REMINDERS FOR REPLACING COMPONENTS



SHUT THE GAS SHUT-OFF VALVE AND/OR SWITCH THE APPLIANCE OFF AT THE MAIN SWITCH INSTALLED UPSTREAM.



AFTER REPLACING A GAS SYSTEM COMPONENT, CHECK FOR GAS LEAKS AT CONNECTION POINTS.



DISCONNECT THE APPLIANCE ELECTRIC SUPPLY, IF PRESENT, BEFORE CARRYING OUT ANY OPERATION.



AFTER REPLACING AN ELECTRICAL SYSTEM COMPONENT, CHECK IT IS CORRECTLY WIRED.

GAS BAIN MARIE

REPLACING THE GAS VALVE AND PIEZO IGNITER.

- Remove the control panel.
- Remove the bulb from its seat on the well.
- Remove and replace the component.
- Reassemble all parts. For assembly, proceed in reverse order.

REPLACING THE MAIN BURNER, PILOT BURNER, THERMOCOUPLE AND IGNITER.

- Remove the control panel.
- Remove the entire gas assembly (cock, gas pipe, main and pilot burner, front combustion chamber wall).
- Remove and replace the component.
- Reassemble all parts. For assembly, proceed in reverse order.

ELECTRIC BAIN MARIE

REPLACING THE HEATING AND LIGHT GLOWS.

- Remove the control panel.
- Remove and replace the component.
- Reassemble all parts. For assembly, proceed in reverse order.

REPLACING THE WORKING THERMOSTAT.

- Remove the control panel.
- Remove the bulb from its seat on the well.
- Remove and replace the component.
- Reassemble all parts. For assembly, proceed in reverse order.

POTATO WARMER

REPLACING THE INFRARED HEATING ELEMENT

- Remove the heating support.
- Remove and replace the component.
- Reassemble all parts. For assembly, proceed in reverse order.

REPLACING THE HEATING ELEMENT

- Pull out the control knobs, remove control panel and the container.
- Disconnect the faulty heating element, remove and replace it. Have care to fit in right position the fixing flange seal (better replace it).

19. CLEANING THE INTERIOR

- Check the condition of the inside of the appliance.
- Remove any built-up dirt.
- Check and clean the fumes exhaust system.

20. MAIN COMPONENTS

GAS BAIN MARIE

- GAS COCK
- MAIN BURNER
- Pilot burner
- Thermocouple
- Igniter
- Piezoelectric ignition

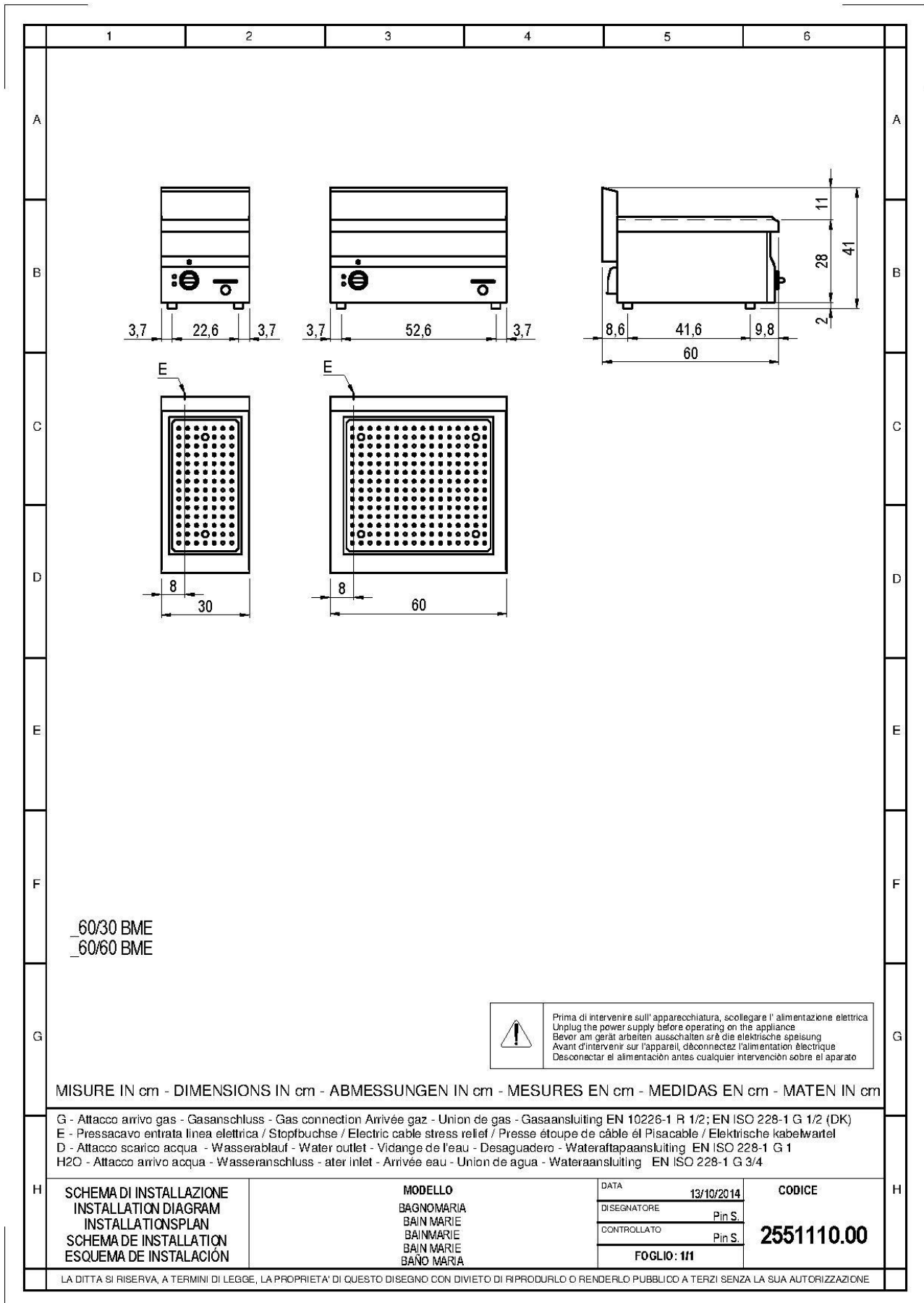
ELECTRIC BAIN MARIE

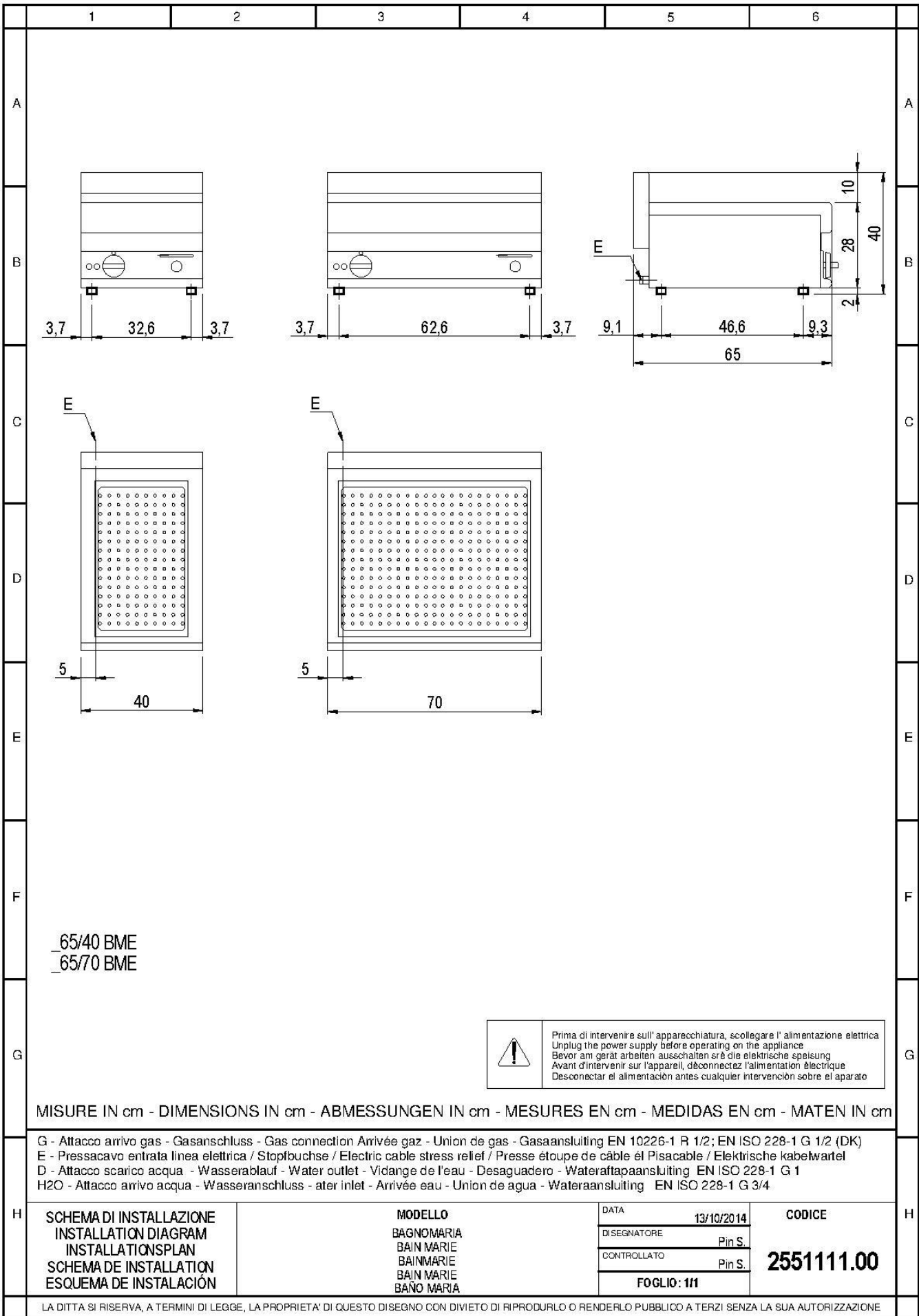
- Working thermostat
- Heating element
- Indicator light
- Control knob

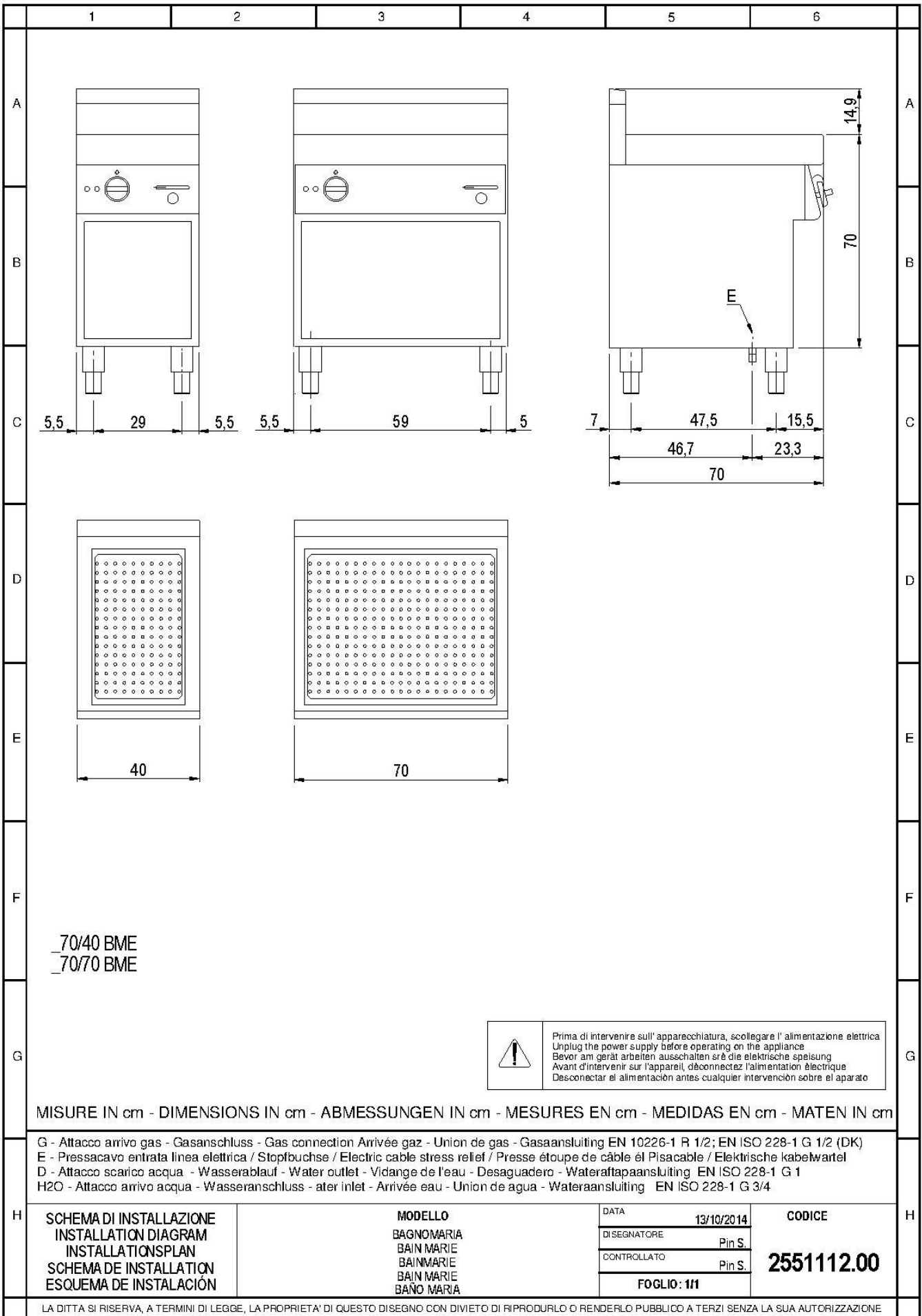
POTATO WARMER

- Indicator light
- Control knob
- Infrared heating element


VI. SCHEMI DI INSTALLAZIONE – INSTALLATIONS PLAN - INSTALLATION DIAGRAM – SCHEMA D'INSTALLATION – ESQUEMA DE INSTALACION - INSTALLATIESCHEMA'S







70/40 BME
70/70 BME

 Prima di intervenire sull'apparecchiatura, scollegare l'alimentazione elettrica
 Unplug the power supply before operating on the appliance
 Bevor am gerät arbeiten ausschalten srê die elektrische speisung
 Avant d'intervenir sur l'appareil, dëconnectez l'alimentation électrique
 Desconectar el alimentacion antes cualquier intervencion sobre el aparato

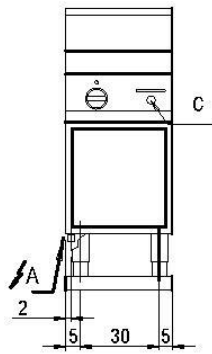
MISURE IN cm - DIMENSIONS IN cm - ABMESSUNGEN IN cm - MESURES EN cm - MEDIDAS EN cm - MATEN IN cm

G - Attacco arrivo gas - Gasanschluss - Gas connection Arrivée gaz - Union de gas - Gas aansluiting EN 10226-1 R 1/2; EN ISO 228-1 G 1/2 (DK)
 E - Pressacavo entrata linea elettrica / Stopfbuchse / Electric cable stress relief / Presse étoupe de câble él Pisacable / Elektrische kabelwartel
 D - Attacco scarico acqua - Wasserablauf - Water outlet - Vidange de l'eau - Desaguadero - Wateraftapaansluiting EN ISO 228-1 G 1
 H2O - Attacco arrivo acqua - Wasseranschluss - ater inlet - Arrivée eau - Union de agua - Wateraansluiting EN ISO 228-1 G 3/4

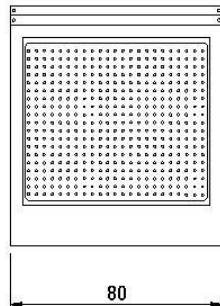
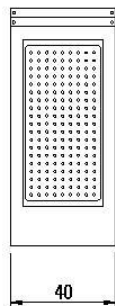
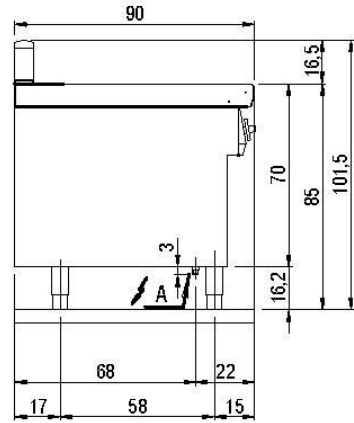
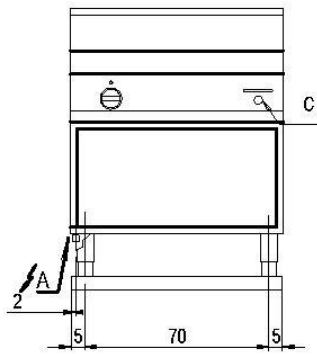
H	SCHEMA DI INSTALLAZIONE INSTALLATION DIAGRAM INSTALLATIONSPLAN SCHEMA DE INSTALLATION ESQUEMA DE INSTALACIÓN	MODELLO BAGNOMARIA BAIN MARIE BAINMARIE BAIN MARIE BAÑO MARIA	DATA	13/10/2014	CODICE
			DISEGNATORE	Pin S.	
			CONTROLLATO	Pin S.	2551112.00
			FOGLIO: 111		

LA DITTA SI SERVA, A TERMINI DI LEGGE, LA PROPRIETA' DI QUESTO DISEGNO CON DIVIETO DI RIPRODURLO O RENDERLO PUBBLICO A TERZI SENZA LA SUA AUTORIZZAZIONE

Mod.90/40 BME
kW 2,2 VAC 230+1



Mod.90/80 BME
kW 4,41 VAC 400+3N

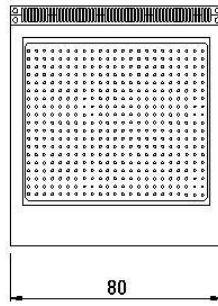
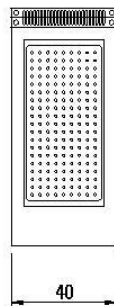
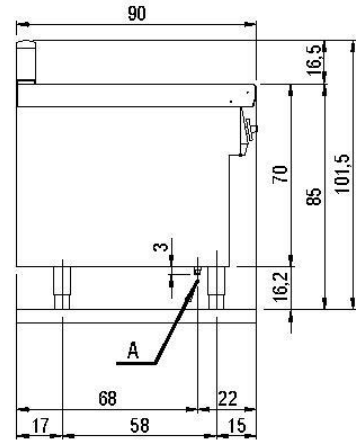
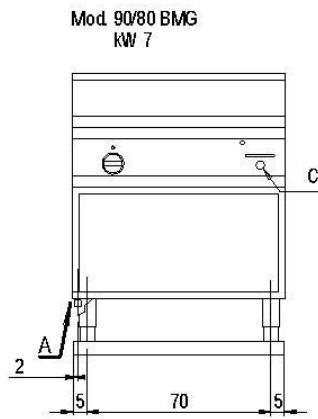
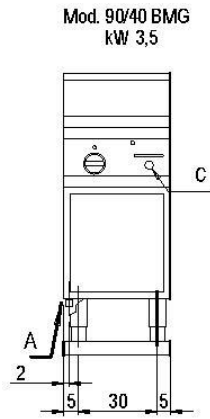


⚡ A= ENTRATA ALIMENTAZIONE ELETTRICA
ARRIVÉE ALIMENTATION ELECTRIQUE
ELEKTROANSCHLUSS
ELECTRY SUPPLY INLET } VAC 400+3N
VAC 230+1

C= ATTACCO SCARICO ACQUA } Ø 3/4 "gas M
TUYAU DE DECHARD DE BAC } Ø 3/4 "màle
WASSERBLAUFANSCHLUSS } Ø 3/4 "aussengew
WATER OUTLET CONNECTOR } Ø 3/4 "in. dia

SCHEMA DI INSTALLAZIONE SCHEMA DE INSTALLATION INSTALLATION DIAGRAM INSTALLATIONSPLAN ESQUEMA DE INSTALACION	MODELLO BAGNO MARIA ELETTRICO EL. BAIN MARIE ELEKTRO WASSERBAD EL. BAÑO MARIA	data: _____ 21/01/2009	CODICE 255.117.02
		nome: _____ P.L.	
		ultima mod.: _____ /	
		FOGLIO: 1/1	

LA DITTA SI RISERVA, A TERMINI DI LEGGE, LA PROPRIETA' DI QUESTO DISEGNO CON DIVIETO DI RIPRODURLO O RENDERLO PUBBLICO A TERZI SENZA LA SUA AUTORIZZAZIONE



A= ATTACCO GAS 1/2 " G CONICO
ARRIVE GAZ 1/2 " G
GASANSCHLUSS 1/2 " G DIN 2999
GAS INLET CONNECTION 1/2 " G
POUR FRANCE DENEMARK
ARRIVEE' GAZ 1/2 " ISO 228-1

} ISO 7-1

C= ATTACCO SCARICO ACQUA
TUYAU DE DECHARD DE BAC
WASSERABLAUFANSCHLUSS
WATER OUTLET CONNECTOR

Ø 3/4 "gas M
Ø 3/4 "màle
Ø 3/4 "aussengew
Ø 3/4 "in. dia

APPARECCHIO TIPO A:
I SUDETTI PRODOTTI SONO STATI APPROVATI PER:

AT 2H3B/P	BE 2E+3+	DE 2ELL3B/P
DK 2H3B/P	ES 2H3+	FI 2H3B/P
FR 2E+3+	GB 2H3+	GR 3+
IE 2H3+	IT 2H3+	LU 2E3B/P
NL 2L3B/P	NO 3B/P	PT 2H3+
SE 2H3B/P	CH 2H3B/P	CH 2H3+

SCHEMA DI INSTALLAZIONE
SCHEMA DE INSTALLATION
INSTALLATION DIAGRAM
INSTALLATIONSPLAN
ESQUEMA DE INSTALACION

MODELLO
BAGNO MARIA A GAS
GAS BAIN MARIE
GAS WASSERBAD
GAS BAÑO MARIA

data: _____ 21/01/2009

nome: _____ P.L

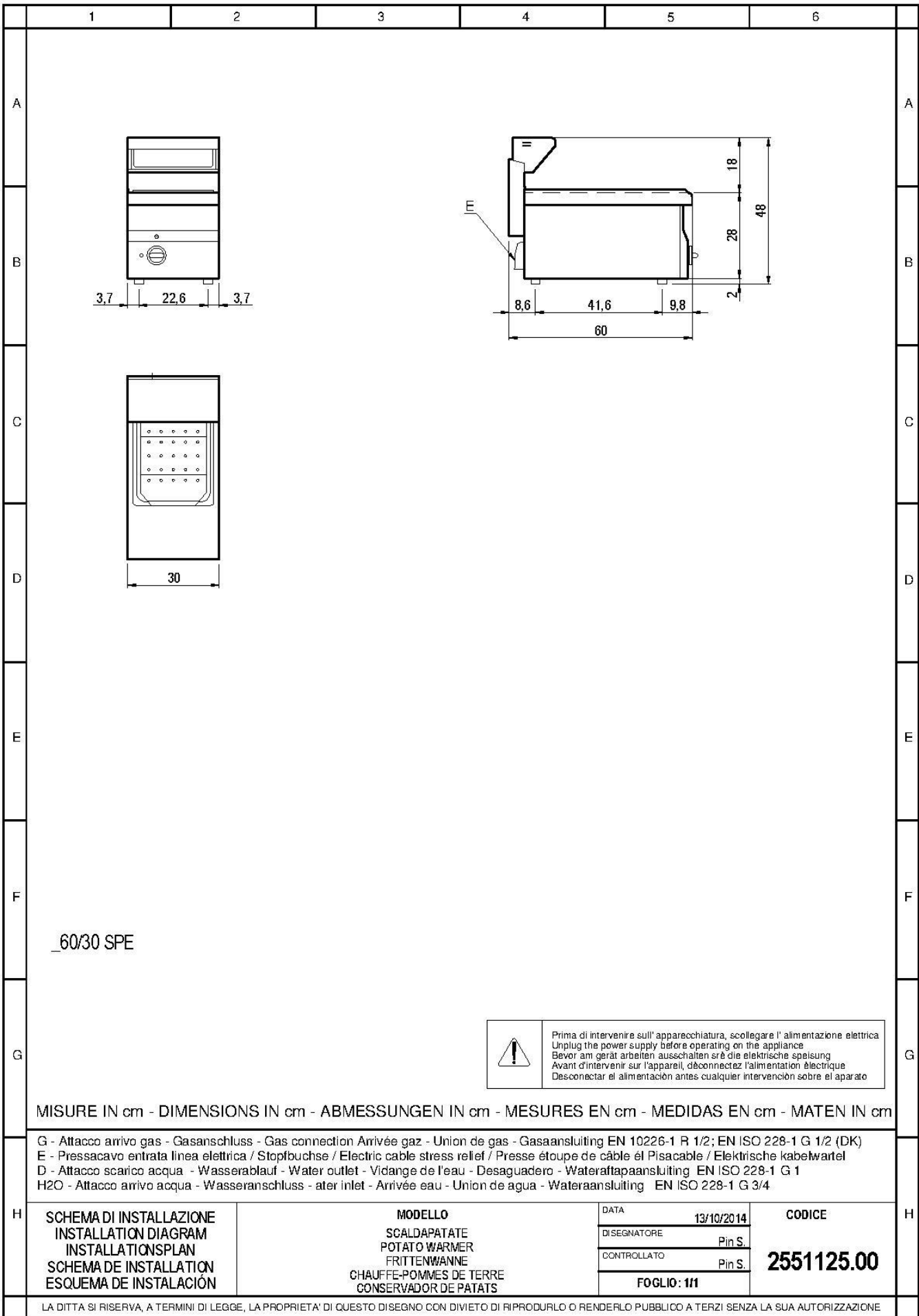
ultima mod.: _____ /

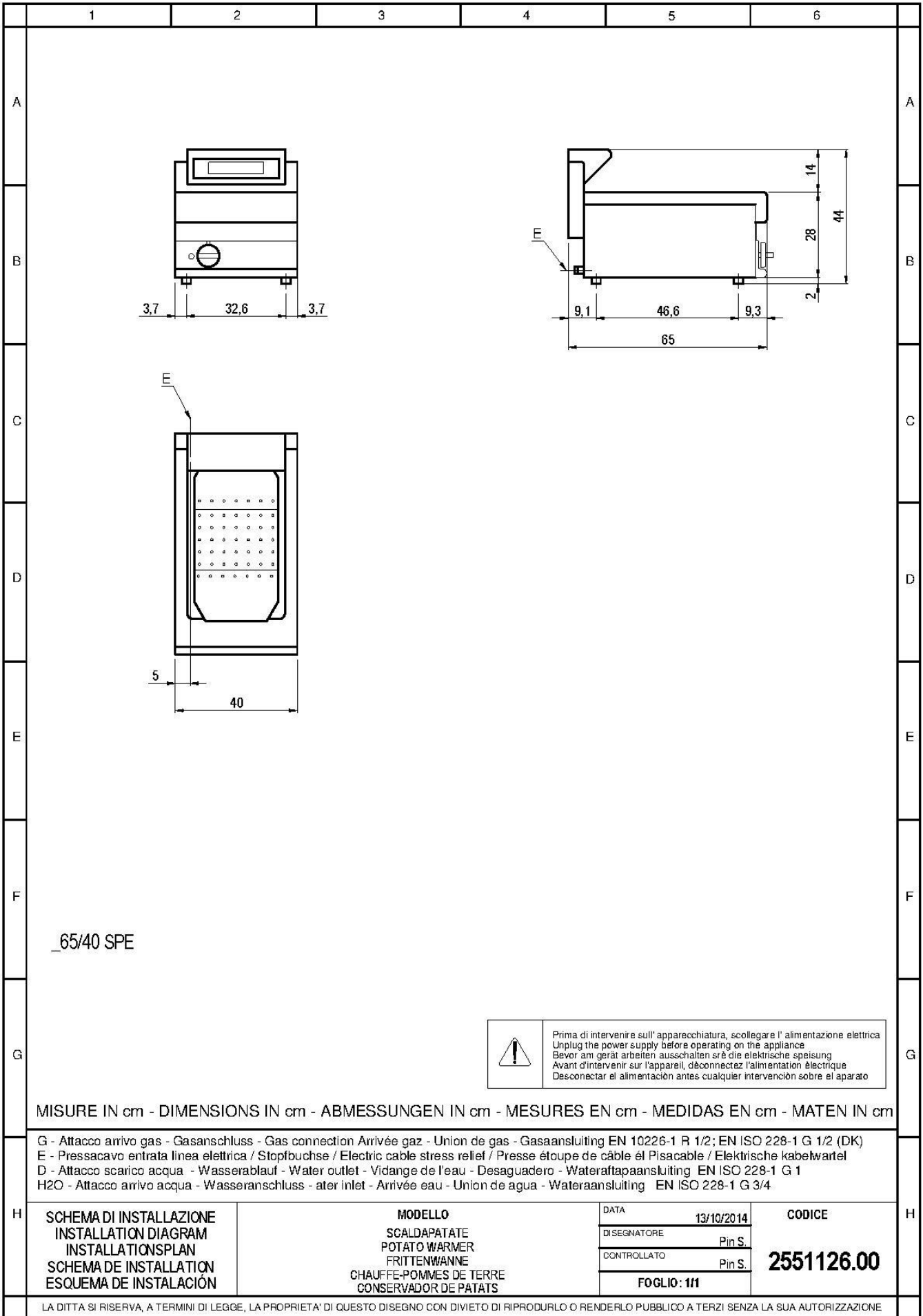
FOGLIO: 1/1

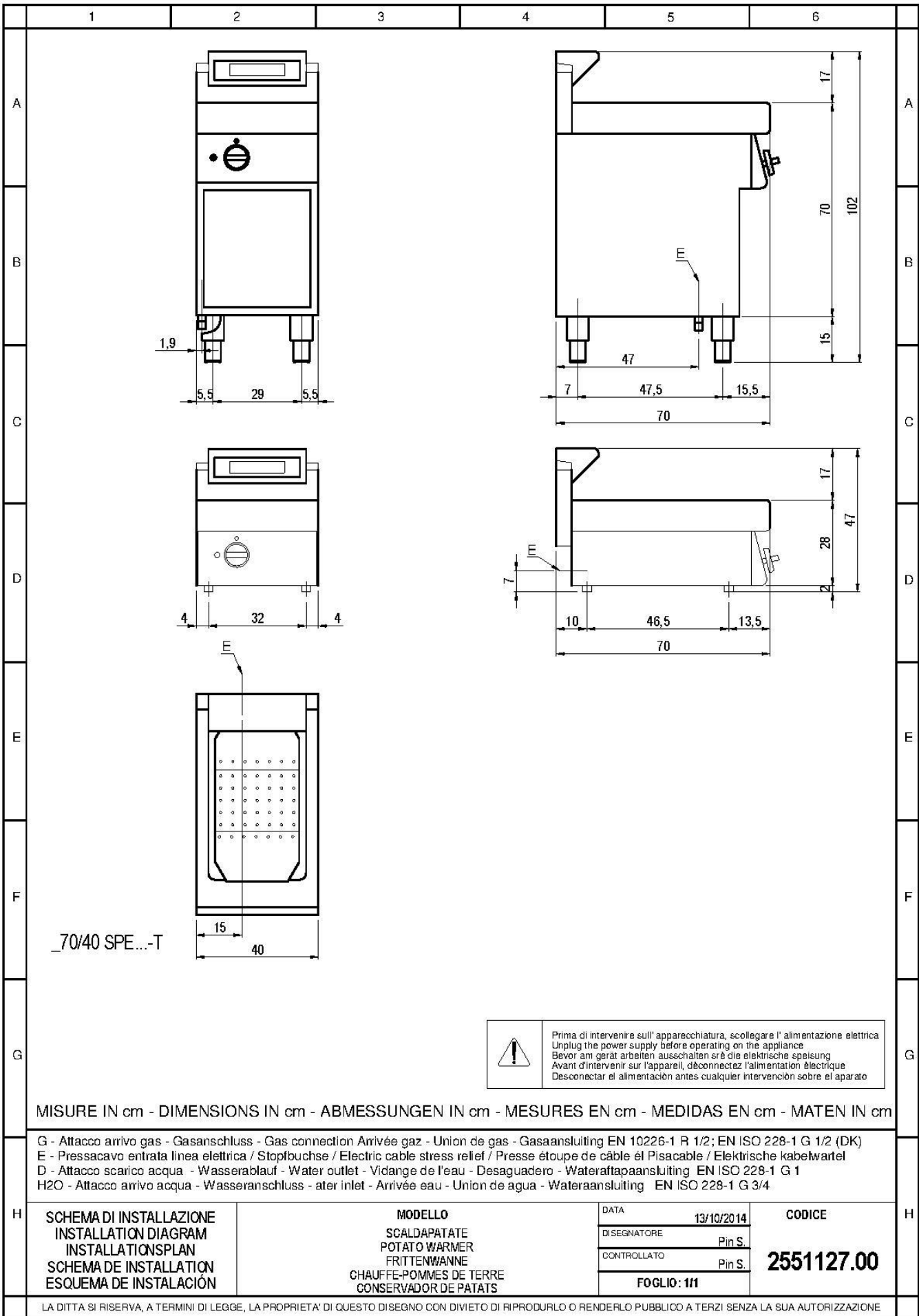
CODICE

255.121.03

LA DITTA SI RISERVA, A TERMINI DI LEGGE, LA PROPRIETA' DI QUESTO DISEGNO CON DIVIETO DI RIPRODURLO O RENDERLO PUBBLICO A TERZI SENZA LA SUA AUTORIZZAZIONE



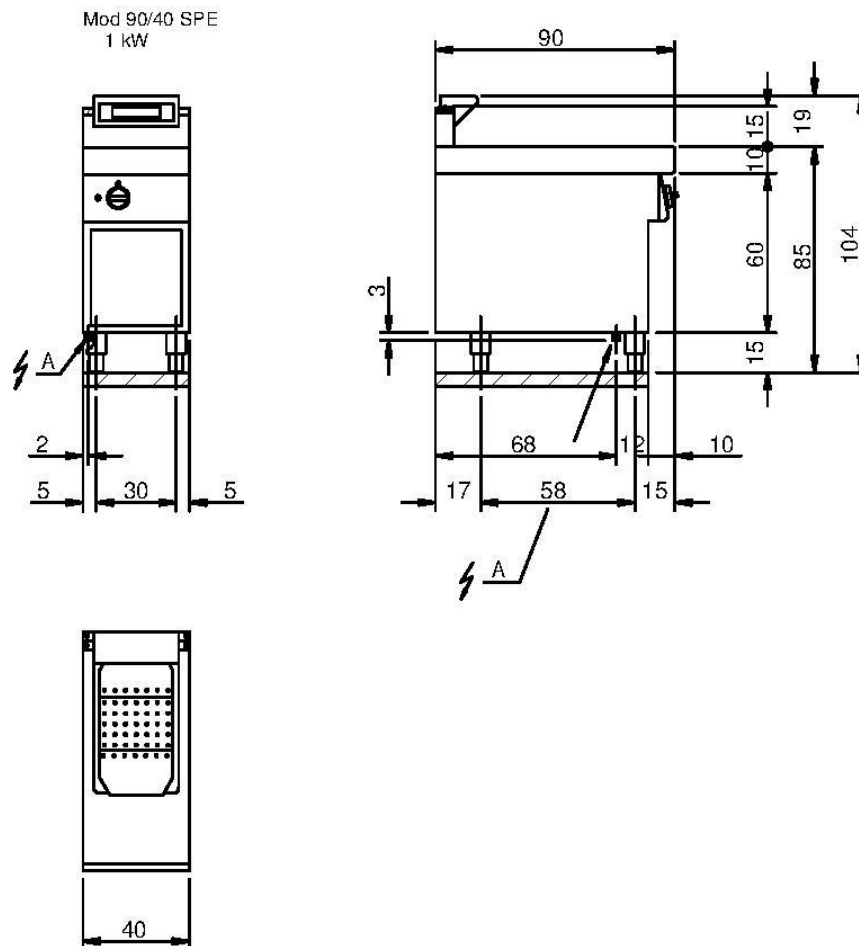




SCHEMA DI INSTALLAZIONE
 SCHEMA D'INSTALLATION
 INSTALLATIONSPLAN
 INSTALLATION DIAGRAM

MOD. 90/40 SPE

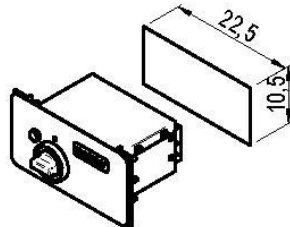
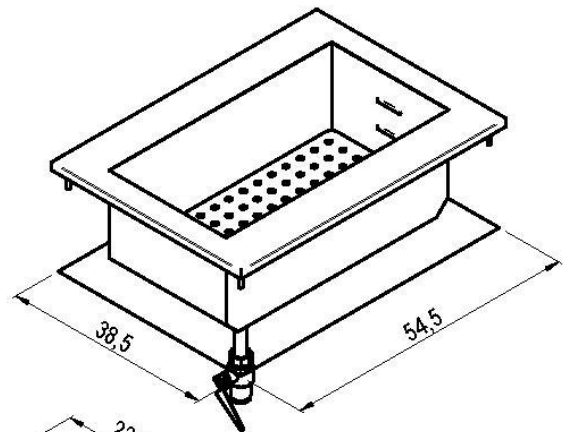
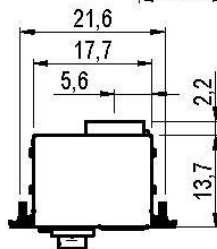
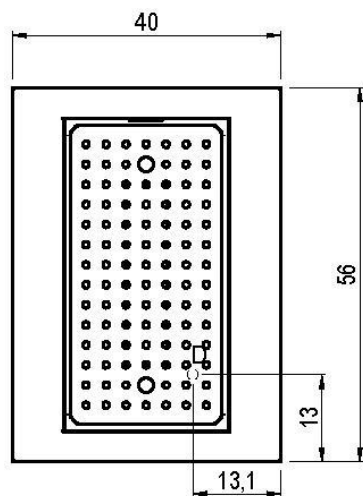
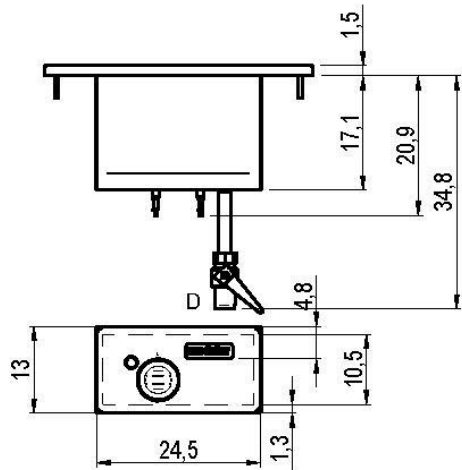
CODICE
 255.352.00
 DATA 11-10-1999




⚡^A = Entrata alimentazione elettrica
 Arrivee alimentation électrique VAC 230+1
 Elektroanschluss
 Electric supply inlet

SOSTITUISCE PARI NUMERO DEL

A TERMINE DI LEGGE QUESTO DISEGNO E' DI NOSTRA ESCLUSIVA PROPRIETA' PERTANTO NON PUO' ESSERE USATO O RIPRODOTTO SENZA AUTORIZZAZIONE



60/40 BME-D

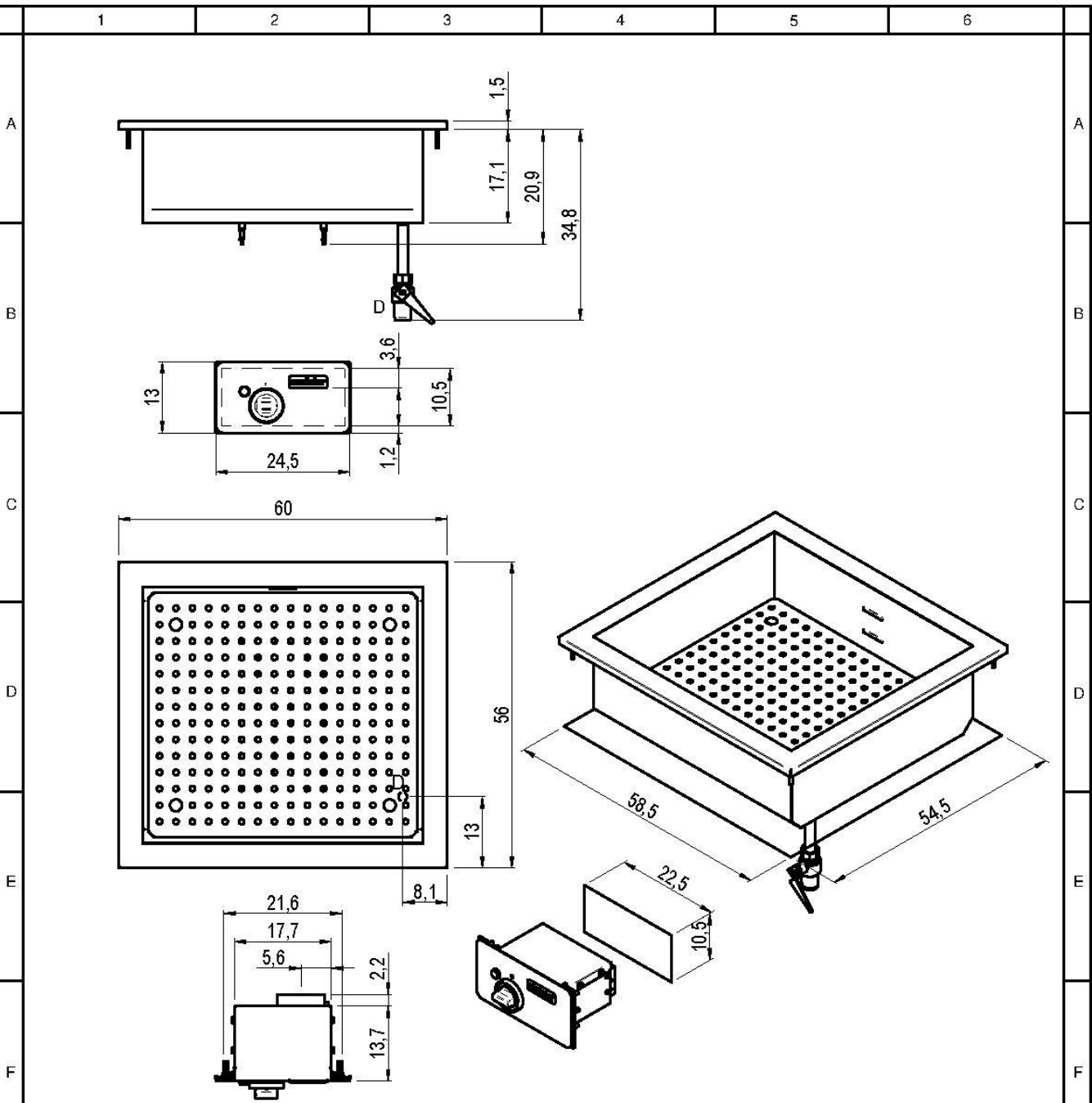
 Prima di intervenire sull'apparecchiatura, scollegare l'alimentazione elettrica
 Unplug the power supply before operating on the appliance
 Bevor am Gerät arbeiten ausschalten sr die elektrische speisung
 Avant d'intervenir sur l'appareil, déconnectez l'alimentation électrique
 Desconectar el alimentación antes cualquier intervencion sobre el aparato

MISURE IN cm - DIMENSIONS IN cm - ABMESSUNGEN IN cm - MESURES EN cm - MEDIDAS EN cm - MATEN IN cm


G - Attacco arrivo gas - Gasanschluss - Gas connection Arrivée gaz - Union de gas - Gasaansluiting EN 10226-1 R 1/2; EN ISO 228-1 G 1/2 (DK)
 E - Pressacavo entrata linea elettrica / Stopfbuchse / Electric cable stress relief / Presse étoupe de câble él Pisacable / Elektrische kabelwartel
 D - Attacco scarico acqua - Wasserablauf - Water outlet - Vidange de l'eau - Desaguadero - Wateraftapaansluiting
 H2O - Attacco arrivo acqua - Wasseranschluss - ater inlet - Arrivée eau - Union de agua - Wateraansluiting EN ISO 228-1 G 3/4

H	SCHEMA DI INSTALLAZIONE INSTALLATION DIAGRAM INSTALLATIONSPLAN SCHEMA DE INSTALLATION ESQUEMA DE INSTALACIÓN	MODELLO BAGNOMARIA DROP IN BAIN MARIE DROP IN BAINMARIE DROP IN BAIN MARIE DROP IN BAÑO MARIA DROP IN	DATA	18/12/2014	CODICE 2551090.13	H
			DISEGNATORE	Possamai F.		
			CONTROLLATO	Possamai F.		
			FOGLIO: 1/1			

LA DITTA SI RISERVA, A TERMINI DI LEGGE, LA PROPRIETA' DI QUESTO DISEGNO CON DIVIETO DI RIPRODURLO O RENDERLO PUBBLICO A TERZI SENZA LA SUA AUTORIZZAZIONE



60/60 BME-D

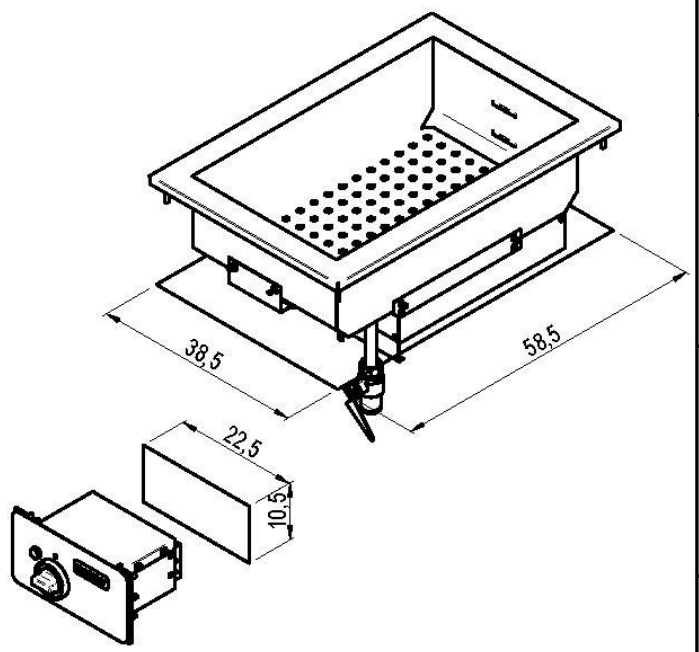
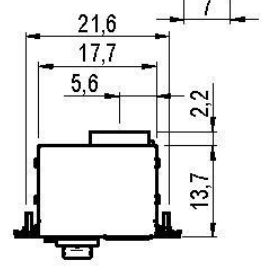
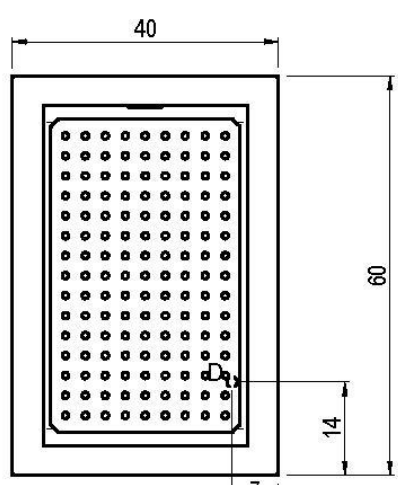
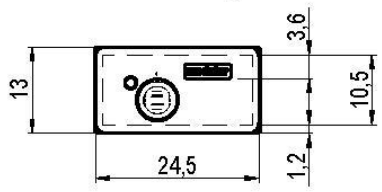
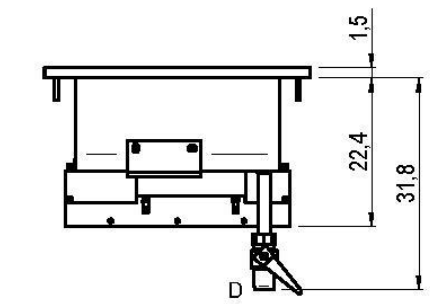
 Prima di intervenire sull'apparecchiatura, scollegare l'alimentazione elettrica
 Unplug the power supply before operating on the appliance
 Bevor am gerät arbeiten ausschalten srê die elektrische speisung
 Avant d'intervenir sur l'appareil, dëconnectez l'alimentation ëlectrique
 Desconectar el alimentaci3n antes cualquier intervenci3n sobre el aparato

MISURE IN cm - DIMENSIONS IN cm - ABMESSUNGEN IN cm - MESURES EN cm - MEDIDAS EN cm - MATEN IN cm


G - Attacco arrivo gas - Gasanschluss - Gas connection Arrivée gaz - Union de gas - Gasaansluiting EN 10226-1 R 1/2; EN ISO 228-1 G 1/2 (DK)
 E - Pressacavo entrata linea elettrica / Stopfbuchse / Electric cable stress relief / Presse ëtouppe de câble ël Pisacable / Elektrische kabelwartel
 D - Attacco scarico acqua - Wasserablauf - Water outlet - Vidange de l'eau - Desaguadero - Wateraftapaansluiting
 H2O - Attacco arrivo acqua - Wasseranschluss - ater inlet - Arrivée eau - Union de agua - Wateraansluiting EN ISO 228-1 G 3/4

H	SCHEMA DI INSTALLAZIONE INSTALLATION DIAGRAM INSTALLATIONSPLAN SCHEMA DE INSTALLATION ESQUEMA DE INSTALACI3N	MODELLO BAGNOMARIA DROP IN BAIN MARIE DROP IN BAINMARIE DROP IN BAÑO MARIA DROP IN	DATA	18/12/2014	CODICE 2551091.13	H
			DISEGNATORE	Possamai F.		
			CONTROLLATO	Possamai F.		
			FOGLIO: 1/1			

LA DITTA SI RISERVA, A TERMINI DI LEGGE, LA PROPRIETÀ DI QUESTO DISEGNO CON DIVIETO DI RIPRODURLO O RENDERLO PUBBLICO A TERZI SENZA LA SUA AUTORIZZAZIONE



65/40 BME-D

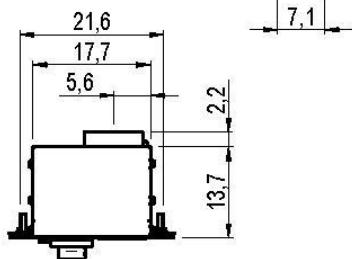
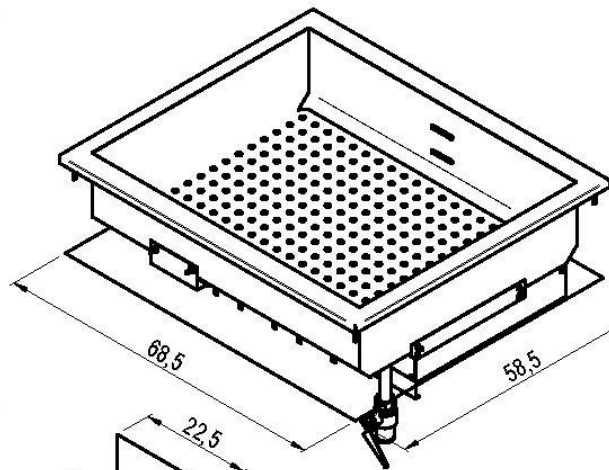
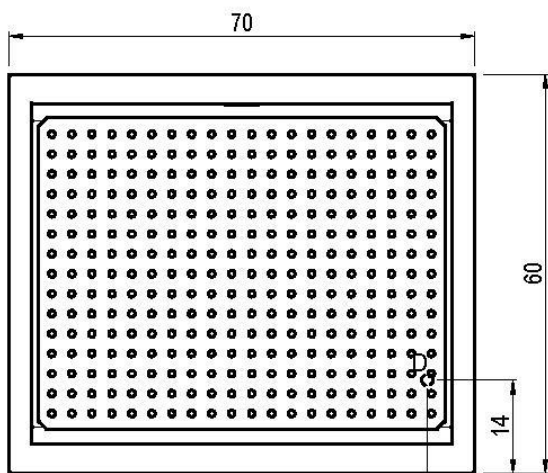
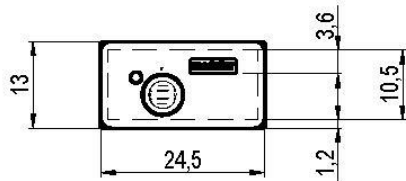
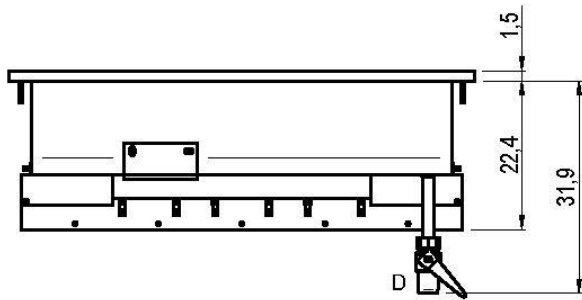
 Prima di intervenire sull'apparecchiatura, scollegare l'alimentazione elettrica
 Unplug the power supply before operating on the appliance
 Bevor am gerät arbeiten ausschalten sr die elektrische speisung
 Avant d'intervenir sur l'appareil, déconnectez l'alimentation électrique
 Desconectar el alimentación antes cualquier intervención sobre el aparato

MISURE IN cm - DIMENSIONS IN cm - ABMESSUNGEN IN cm - MESURES EN cm - MEDIDAS EN cm - MATEN IN cm


G - Attacco arrivo gas - Gasanschluss - Gas connection Arrivée gaz - Union de gas - Gasaansluiting EN 10226-1 R 1/2; EN ISO 228-1 G 1/2 (DK)
 E - Pressacavo entrata linea elettrica / Stopfbuchse / Electric cable stress relief / Presse étoupe de câble él Pisacable / Elektrische kabelwartel
 D - Attacco scarico acqua - Wasserablauf - Water outlet - Vidange de l'eau - Desaguadero - Wateraftapaansluiting
 H2O - Attacco arrivo acqua - Wasseranschluss - ater inlet - Arrivée eau - Union de agua - Wateraansluiting EN ISO 228-1 G 3/4

H	SCHEMA DI INSTALLAZIONE INSTALLATION DIAGRAM INSTALLATIONSPLAN SCHEMA DE INSTALLATION ESQUEMA DE INSTALACIÓN	MODELLO BAGNOMARIA DROP IN BAIN MARIE DROP IN BAINMARIE DROP IN BAIN MARIE DROP IN BAÑO MARIA DROP IN	DATA	18/12/2014	CODICE
			DI SEGNA TORE	Possamai F.	
			CONTROLLATO	Possamai F.	2551092.13
			FOGLIO: 1/1		

LA DITTA SI RISERVA, A TERMINI DI LEGGE, LA PROPRIETA' DI QUESTO DISEGNO CON DIVIETO DI RIPRODURLO O RENDERLO PUBBLICO A TERZI SENZA LA SUA AUTORIZZAZIONE



65/70 BME-D

 Prima di intervenire sull'apparecchiatura, scollegare l'alimentazione elettrica
 Unplug the power supply before operating on the appliance
 Bevor am gerät arbeiten ausschalten srê die elektrische speisung
 Avant d'intervenir sur l'appareil, déconnectez l'alimentation électrique
 Desconectar el alimentación antes cualquier intervencion sobre el aparato

MISURE IN cm - DIMENSIONS IN cm - ABMESSUNGEN IN cm - MESURES EN cm - MEDIDAS EN cm - MATEN IN cm

G - Attacco arrivo gas - Gasanschluss - Gas connection Arrivée gaz - Union de gas - Gasaansluiting EN 10226-1 R 1/2; EN ISO 228-1 G 1/2 (DK)
 E - Pressacavo entrata linea elettrica / Stopfbuchse / Electric cable stress relief / Presse étoupe de câble él Piscable / Elektrische kabelwartel
 D - Attacco scarico acqua - Wasserablauf - Water outlet - Vidange de l'eau - Desaguadero - Wateraftapaansluiting
 H2O - Attacco arrivo acqua - Wasseranschluss - ater inlet - Arrivée eau - Union de agua - Wateraansluiting EN ISO 228-1 G 3/4

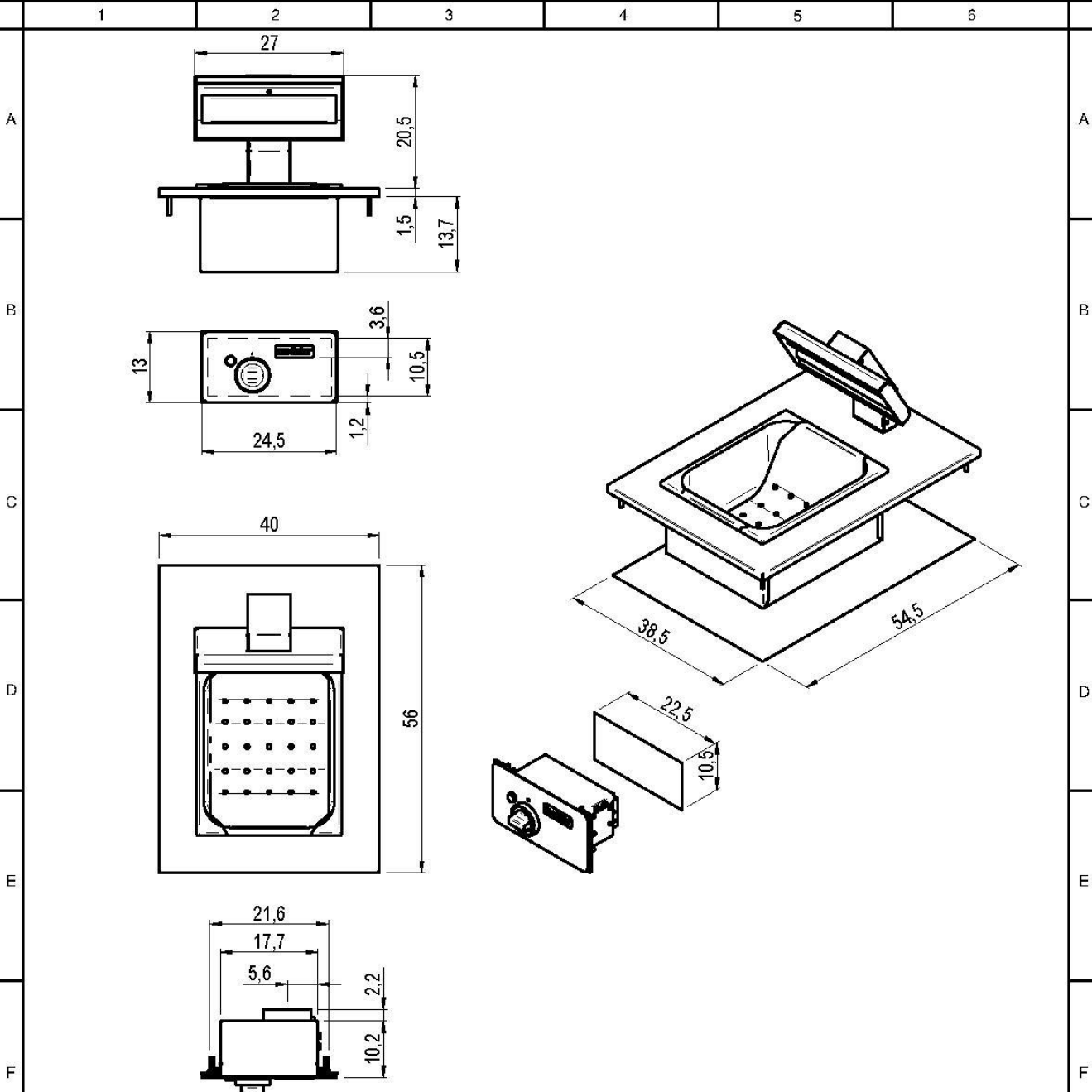
SCHEMA DI INSTALLAZIONE
 INSTALLATION DIAGRAM
 INSTALLATIONSPLAN
 SCHEMA DE INSTALLATION
 ESQUEMA DE INSTALACIÓN

MODELLO
 BAGNOMARIA DROP IN
 BAIN MARIE DROP IN
 BAINMARIE DROP IN
 BAIN MARIE DROP IN
 BAÑO MARIA DROP IN


DATA	18/12/2014
DI SEGNA TORE	Possamai F.
CONTROLLATO	Possamai F.
FOGLIO: 111	

CODICE
2551093.13

LA DITTA SI RISERVA, A TERMINI DI LEGGE, LA PROPRIETA' DI QUESTO DISEGNO CON DIVIETO DI RIPRODURLO O RENDERLO PUBBLICO A TERZI SENZA LA SUA AUTORIZZAZIONE



60/40 SPE-D

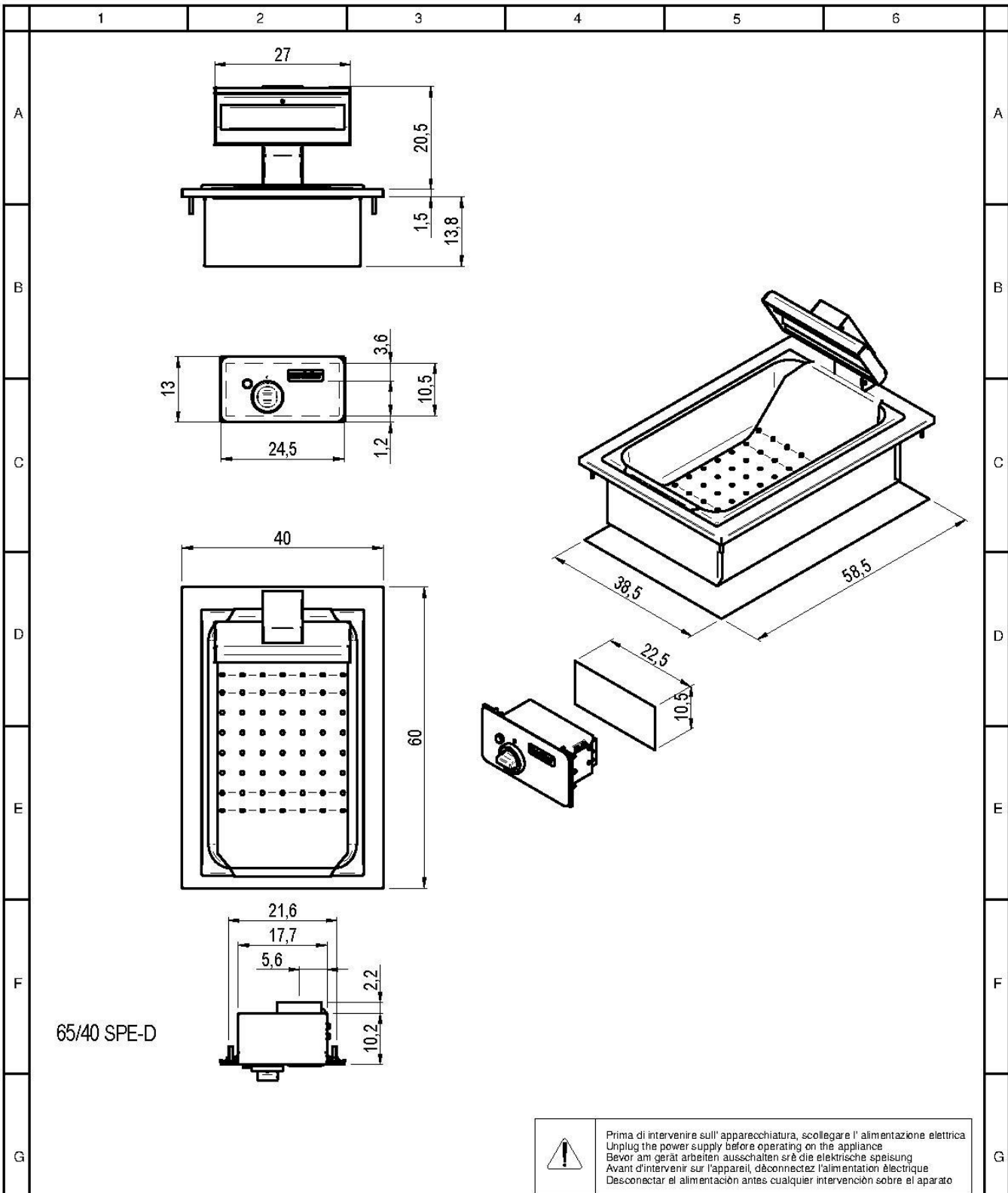
 Prima di intervenire sull'apparecchiatura, scollegare l'alimentazione elettrica
 Unplug the power supply before operating on the appliance
 Bevor am gerät arbeiten ausschalten srê die elektrische speisung
 Avant d'intervenir sur l'appareil, dëconnectez l'alimentation ëlectrique
 Desconectar el alimentaci3n antes cualquier intervenci3n sobre el aparato

MISURE IN cm - DIMENSIONS IN cm - ABMESSUNGEN IN cm - MESURES EN cm - MEDIDAS EN cm - MATEN IN cm


G - Attacco arrivo gas - Gasanschluss - Gas connection Arrivée gaz - Union de gas - Gasaansluiting EN 10226-1 R 1/2; EN ISO 228-1 G 1/2 (DK)
 E - Pressacavo entrata linea elettrica / Stopfbuchse / Electric cable stress relief / Presse ëtouppe de câble ël Pisacable / Elektrische kabelwartel
 D - Attacco scarico acqua - Wasserablauf - Water outlet - Vidange de l'eau - Desaguadero - Wateraftapaansluiting EN ISO 228-1 G 1
 H2O - Attacco arrivo acqua - Wasseranschluss - ater inlet - Arrivée eau - Union de agua - Wateraansluiting EN ISO 228-1 G 3/4

H	SCHEMA DI INSTALLAZIONE INSTALLATION DIAGRAM INSTALLATIONSPLAN SCHEMA DE INSTALLATION ESQUEMA DE INSTALACI3N	MODELLO SCALDAPATATE DROP IN POTATO WARMER DROP IN FRITTEN/WANNE DROP IN CHAUFFE-POMMES DE TERRE DROP IN CONSERVADOR DE PATATS DROP IN	DATA	18/12/2014	CODICE 2551102.13	H
			DISEGNATORE	Possamai F.		
			CONTROLLATO	Possamai F.		
			FOGLIO: 1/1			

LA DITTA SI RISERVA, A TERMINI DI LEGGE, LA PROPRIETÀ DI QUESTO DISEGNO CON DIVIETO DI RIPRODURLO O RENDERLO PUBBLICO A TERZI SENZA LA SUA AUTORIZZAZIONE



65/40 SPE-D

 Prima di intervenire sull'apparecchiatura, scollegare l'alimentazione elettrica
 Unplug the power supply before operating on the appliance
 Bevor am gerät arbeiten ausschalten srè die elektrishe speisung
 Avant d'intervenir sur l'appareil, déconnectez l'alimentation électrique
 Desconectar el alimentacion antes cualquier intervencion sobre el aparato

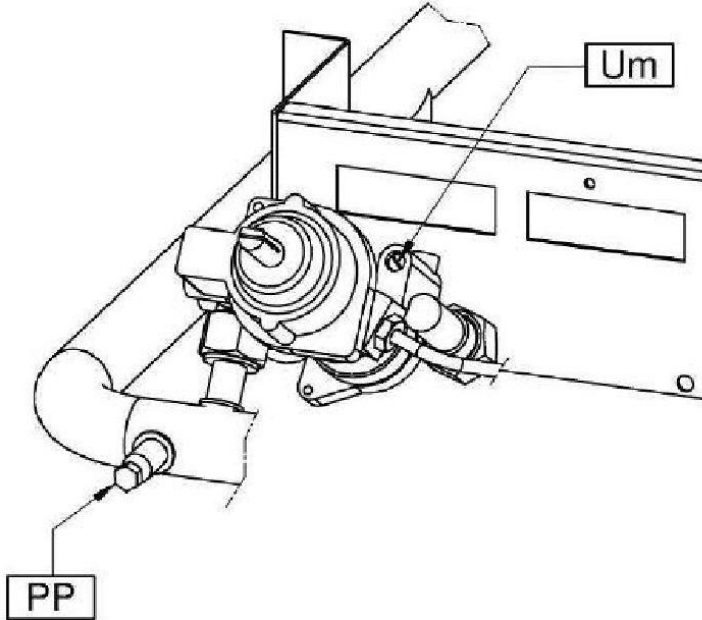
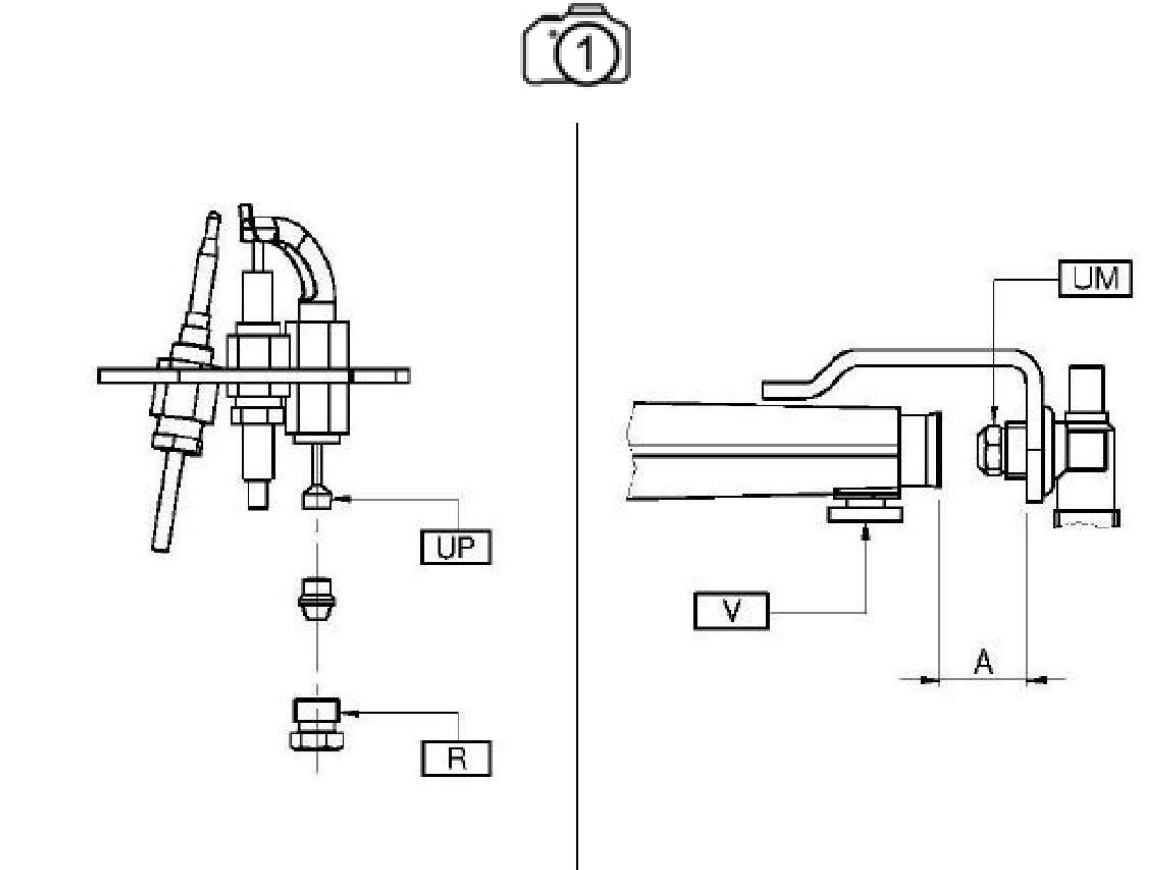
MISURE IN cm - DIMENSIONS IN cm - ABMESSUNGEN IN cm - MESURES EN cm - MEDIDAS EN cm - MATEN IN cm

G - Attacco arrivo gas - Gasanschluss - Gas connection Arrivée gaz - Union de gas - Gasaansluiting EN 10226-1 R 1/2; EN ISO 228-1 G 1/2 (DK)
 E - Pressacavo entrata linea elettrica / Stopfbuchse / Electric cable stress relief / Presse étoupe de câble el Pisacable / Elektrische kabelwartel
 D - Attacco scarico acqua - Wasserablauf - Water outlet - Vidange de l'eau - Desaguadero - Wateraftapaansluiting EN ISO 228-1 G 1
 H2O - Attacco arrivo acqua - Wasseranschluss - ater inlet - Arrivée eau - Union de agua - Wateraansluiting EN ISO 228-1 G 3/4

H	SCHEMA DI INSTALLAZIONE INSTALLATION DIAGRAM INSTALLATIONSPLAN SCHEMA DE INSTALLATION ESQUEMA DE INSTALACIÓN	MODELLO SCALDAPATATE DROP IN POTATO WARMER DROP IN FRITTENWANNE DROP IN CHAUFFE-POMMES DE TERRE DROP IN CONSERVADOR DE PATATS DROP IN	DATA	18/12/2014	CODICE
			DISEGNATORE	Possamai F.	
			CONTROLLATO	Possamai F.	2551103.13
			FOGLIO: 111		

LA DITTA SI RISERVA, A TERMINI DI LEGGE, LA PROPRIETA' DI QUESTO DISEGNO CON DIVIETO DI RIPRODURLO O RENDERLO PUBBLICO A TERZI SENZA LA SUA AUTORIZZAZIONE

VII. FIGURE – ABB. – FIG. FIGURE-FIG.-IMAGE-ABB.-CIFRAS-AFBEELDINGEN



VIII. TAB1 - DATI TECNICI - TECHNICAL DATA - TECHNISCHE DATEN - CARACTERISTIQUES TECHNIQUES - DATOS TECNICOS - TECHNISCHE GEGEVENS Ugelli e regolazioni - Nozzles and settings - Buses et les paramètres - Dusen und Einstellungen - Boquillas y los ajustes - Verstuivers en regelingen

TAB1				
Gas Gaz	Pa (mbar)	UM UP A	_90/40 BMG	_90/80 BMG
G20 G20/G25	20 20/25	UM	145	200
		UP	36	36
		A (mm)	10	10
		Um	REG	REG
G25	20	UM	160	220
		UP	36	36
		A (mm)	10	10
		Um	REG	REG
G25	25	UM	150	210
		UP	36	36
		A (mm)	10	10
		Um	REG	REG
G20	25	UM		
		UP		
		A (mm)		
		Um		
G25.1	25	UM		
		UP		
		A (mm)		
		Um		
G30/G31	28-30/37 28-30	UM	97	130
		UP	19	19
		A (mm)	5	10
		Um	58	85
G30/G31	37	UM		
		UP		
		A (mm)		
		Um		
G30/G31	50	UM	82	115
		UP	19	19
		A (mm)	5	10
		Um	58	85
G110	8	UM		
		UP		
		A (mm)		
		Um		
G120	8	UM		
		UP		
		A (mm)		
		Um		

Pa : Pressione di allacciamento - Anschlussdruck - Supply pressure - Pression de raccordement - Presión de conexión - Aansluitdruk
UM : Ugello MAX - Duse MAX - MAX nozzle - Buse MAX - Boquilla MAX. - Sproeier MAX
Um : Ugello MIN - Duse MIN - MIN nozzle - Buse MIN - Boquilla MIN - Sproeier MIN
UP : Pilota - Zündbrenner - Pilot - Veilleuse gaz - Piloto - Waakvlam
A : Apertura Aereatore - Öffnen Luftring - Aerator Opening - Ouverture Aérateur - Abertura del aireador - Opening beluchter
REG : Regolato - Eingestellt - Regulated - Règie - Regulado - Geregeld

IX. TAB2 - DATI TECNICI - TECHNICAL DATA - TECHNISCHE DATEN - CARACTERISTIQUES TECHNIQUES - DATOS TECNICOS - TECHNISCHE GEGEVENS **Categorie e pressioni - Categories and pressures - Catégories et pressions - Kategorien e Druck - Las categorías y las presiones - Categorieën en druk**

Paese Land Country Pays Pais	Categoria Kategorie Category Catégorie Categoria Categorie	Gas-Gaz	Pressione di allacciamento Anschlussdruck Supply pressure Pression de raccordement Pression de connexion Aansluitdruk (mbar)		
			Nom. Neen. Norm. Normal	Min.	Max
PL	I2E	G20	20	17	25
LU CY	I3+	G30/G31	28-30/37	20/25	35/45
NO CY MT IS HU	I3B/P	G30/G31	28-30	25	35
PL	I3B/P	G30/G31	37	25	45
BE FR	II2E+3+	G20/G25	20/25	17/20	25/30
		G30/G31	28-30/37	20/25	35/45
DE	II2ELL3B/P	G20	20	17	25
		G25	20	18	25
		G30/G31	50	42,5	57,5
ES GB GR IE IT PT SK CH	II2H3+	G20	20	17	25
		G30/G31	28-30/37	20/25	35/45
MK UA FI BG EE LV LT CZ SI TR HR RO SK SE DK AL NO RA	II2H3B/P	G20	20	17	25
		G30/G31	28-30	25	35
AT CH	II2H3B/P	G20	20	17	25
		G30/G31	50	42,5	57,5
HU	II2HS3B/P	G20	25	18	33
		G25.1	25	18	33
		G30/G31	28-30	25	35
		G30/G31	50	42,5	57,5
SE	III1ab2H3B/P	G20	20	17	25
		G30/G31	28-30	25	35
		G110	8	6	15
		G120	8	6	15
DK IT	III1a2H3B/P	G20	20	17	25
		G30/G31	28-30	25	35
		G110	8	6	15
NL	II2L3B/P	G25	25	20	30
		G30/G31	28-30	25	35
LU	II2E3+	G20	20	17	25
		G30/G31	28-30/37	20/25	35/45

X. TAB3 - DATI TECNICI - TECHNICAL DATA - TECHNISCHE DATEN - CARACTERISTIQUES TECHNIQUES - DATOS TECNICOS - TECHNISCHE GEGEVENS Dati tecnici apparecchiature gas - Technical data of gas appliances - Caractéristiques techniques des appareils à gaz - Technische Daten gasgerate - Datos técnicos de los equipos de gas - Technische gegevens gasapparatuur

TAB3												
Modelli Modelle Models Modeles Modelos Modellen	Larghezza Breite Width Largeur Anchura Breedte	ΣQn	Consumo gas complessivo - Gesamtgasverbrauch Total gas consumption Consommation totale de gaz - Consumo total de gas - Totaal gasverbruik									
			G20 (20)	G25 (25)	G25 (20)	G20 (25)	G25.1 (25)	G110 (8)	G120 (8)	G30 (29)	G30 (37)	G30 (50)
			mm	kW	m3/h	m3/h	m3/h	m3/h	m3/h	m3/h	m3/h	Kg/h
_90/40 BMG	400	3.5	0.37	0.43	0.43	0.37	0.43	0.90	0.80	0.28	0.28	0.28
_90/80 BMG	800	7	0.74	0.86	0.86	0.74	0.86	1.81	1.61	0.55	0.55	0.55

XI. TAB4 - DATI TECNICI - TECHNICAL DATA - TECHNISCHE DATEN - CARACTERISTIQUES TECHNIQUES - DATOS TECNICOS- TECHNISCHE GEGEVENS Dati tecnici apparecchiature elettriche - Dati tecnici aTechnical data of electric appliances - Caractéristiques techniques des appareils électriques - Technische Daten Elektrogerate - Datos técnicos de los equipos eléctricos - Technische gegevens elektrische apparatuur

TAB4						
Modelli Modelle Models Modelos Modelos Modellen	Larghezza Breite Width Largeur Anchura Breedte	Tensione di alimentazione Netzspannung Power supply voltage Tension d'alimentation Tension de alimentacion Voedingsspanning	Fasi Phasen Phases Fases Fasen	Frequenza Frequenz Frequency Fréquence Frecuencia Frequentie	Potenza totale massima Max. gesamtleistung Max. total power Puissance totale maximun Potencia maxima total Max totaal vermogen	Sezione cavo alimentazione Querschnitt netzkabel Power supply cable section Section du cable de alimentation Seccion del cable de alimentacion Doorsnede elektrisch snoer
	mm	V	N.	Hz	kW	-
_60/30 BME	300	220-240	1N	50-60	1.50	3G1
_60/60 BME	600	220-240	1N	50-60	3.00	3G1.5
_60/40 BME-D	400	220-240	1N	50-60	1.50	3G1
_60/60 BME-D	600	220-240	1N	50-60	3.00	3G1.5
_65/40 BME	400	220-240	1N	50-60	1.50	3G1
_65/70 BME	700	380-415	3N	50-60	3.00	5G1
_65/40 BME-D	400	220-240	1N	50-60	1.50	3G1
_65/70 BME-D	700	380-415	3N	50-60	3.00	5G1
_70/40 BME-T	400	220-240	1N	50-60	1.50	3G1
_70/40 BME	400	220-240	1N	50-60	1.50	3G1
_70/70 BME-T	700	380-415	3N	50-60	3.00	5G1
_70/70 BME	700	380-415	3N	50-60	3.00	5G1
_90/40 BME	400	220-240	1N	50-60	2.20	3G1
_90/80 BME	800	380-415	3N	50-60	4.40	5G1
_60/30 SPE	300	220-240	1N	50-60	1.00	3G1
_60/40 SPE-D	400	220-240	1N	50-60	1.00	3G1
_65/40 SPE	400	220-240	1N	50-60	1.00	3G1
_65/40 SPE-D	400	220-240	1N	50-60	1.00	3G1
_70/40 SPE-T	400	220-240	1N	50-60	1.00	3G1
_70/40 SPE	400	220-240	1N	50-60	1.00	3G1
_90/40 SPE	400	220-240	1N	50-60	1.00	3G1