

07/2013

Mod: 350/AVV

Production code: 15354C4R12VHL



Diamond
catering equipment

WIRING DIAGRAM

Single-phase 230 V. tension selection

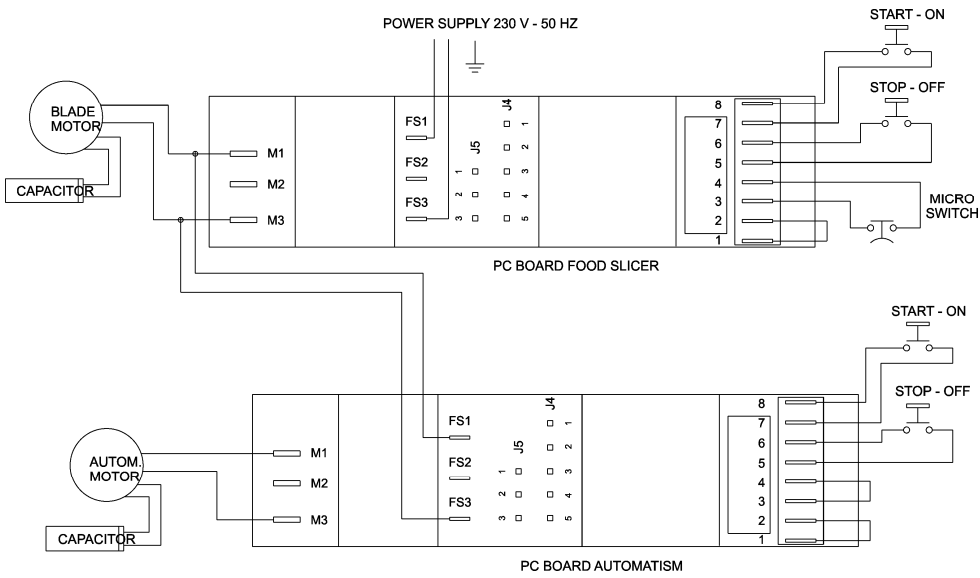


Fig. n°20

Three-phase 380 V. tension selection

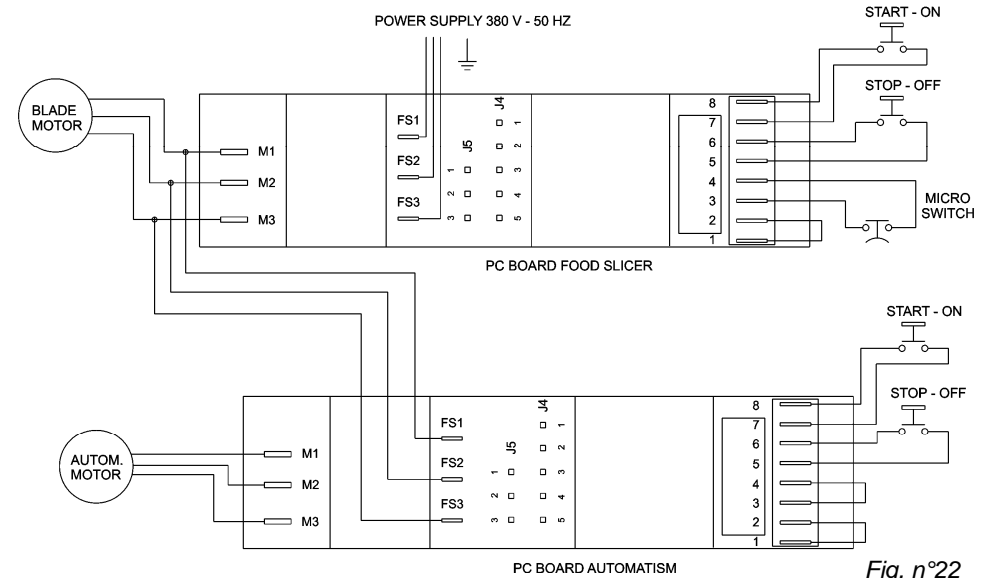


Fig. n°22

Single-phase 230 V. tension selection VV

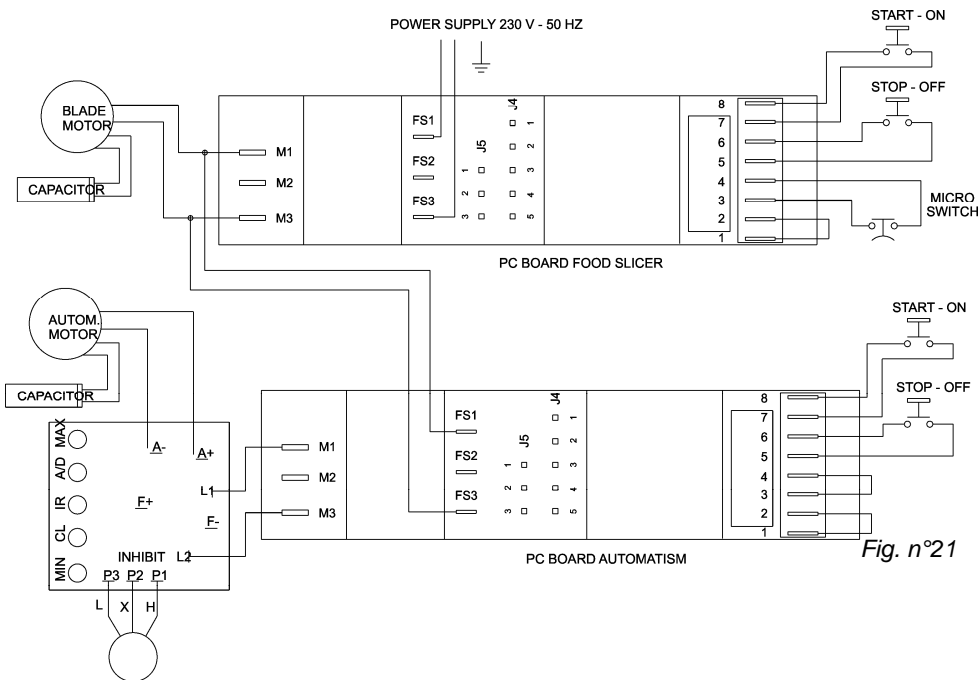


Fig. n°21