

06/2012

Mod: BMIV15/TP

Production code: 18G111100000



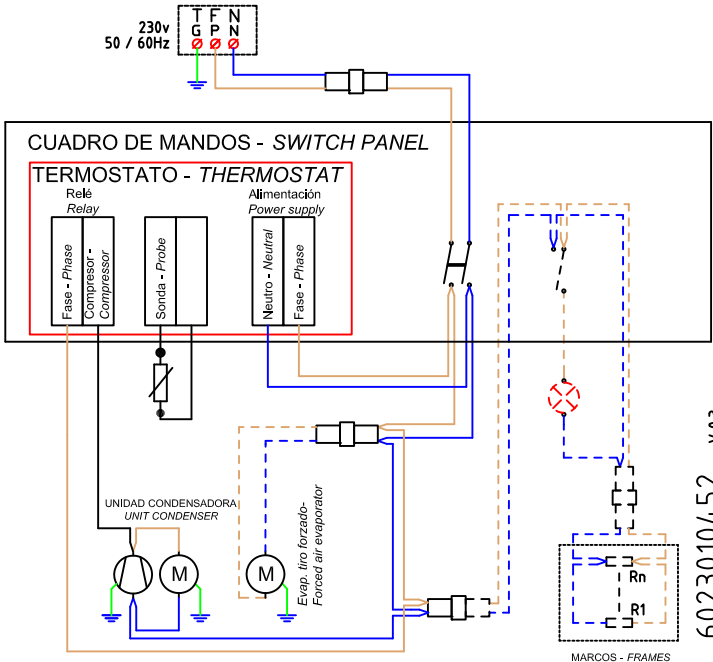
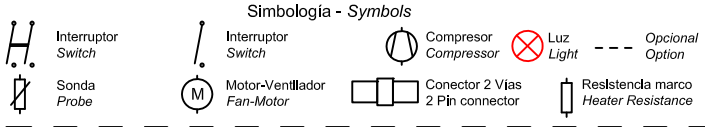
Diamond
catering equipment

ESQUEMA ELÉCTRICO - ELECTRICAL SCHEMATIC

Mesa Refrigerada

Refrigerated Counter

Opción/ Optional: Tropical - tropical; con luz - with light; evaporador gravedad - evaporator with gravity



6023010452 V.03

MARCOS - FRAMES