

12/2013

# Mod: CAH/12

Production code: SC 1000



**Diamond**  
catering equipment

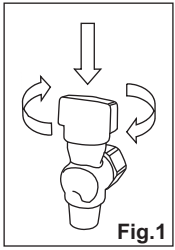
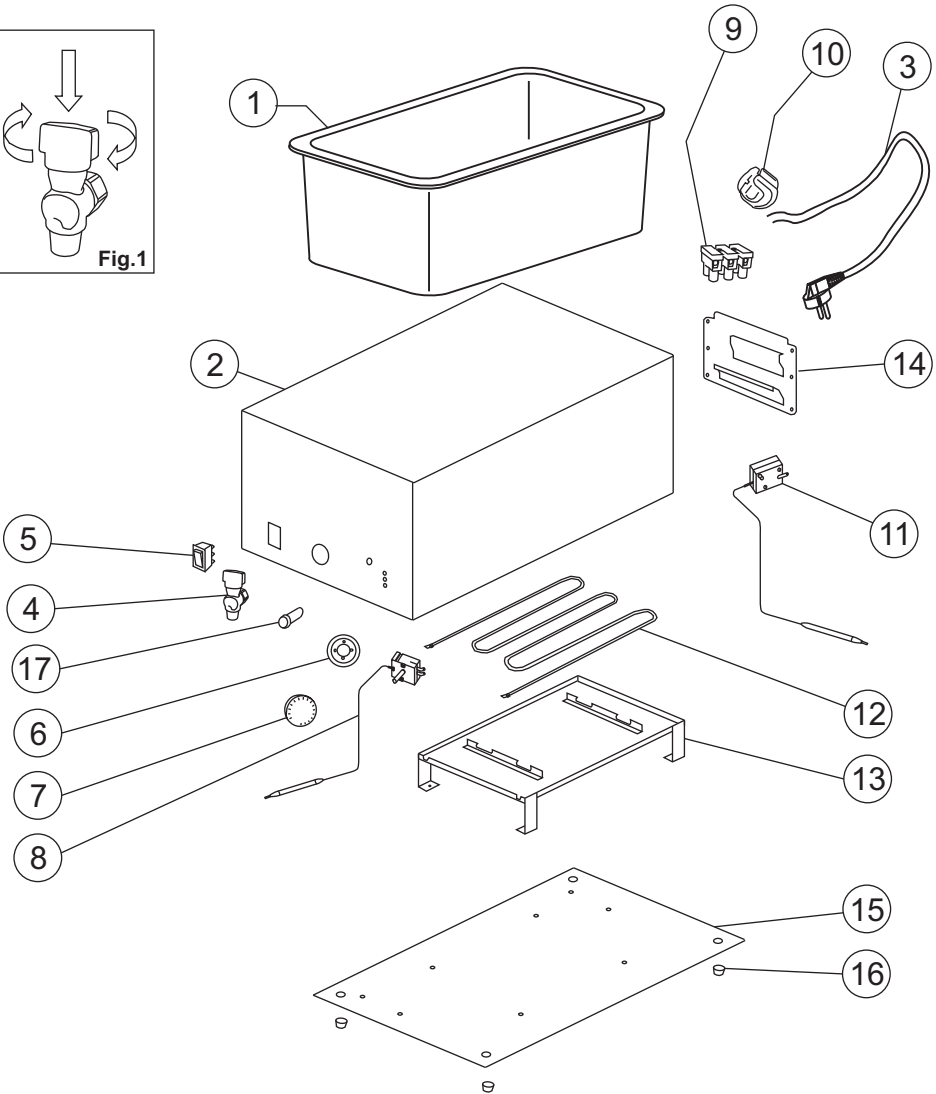
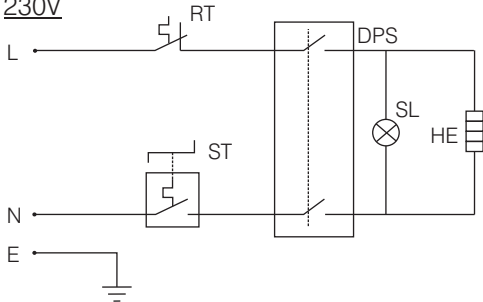


Fig.1



230V



**RT** - Regulating thermostat / Thermostat réglable /  
Termostato de regulación

**ST** - Safety thermostat / Thermostat de sécurité /  
Termostato de seguridad

**DPS** - Double pole switch / interrupteur bipolaire /  
Interruptor bipolar

**HE** - Heating element / Resistance / Resistència

**SL** - Signal light / Lamp termin / Señalizador