

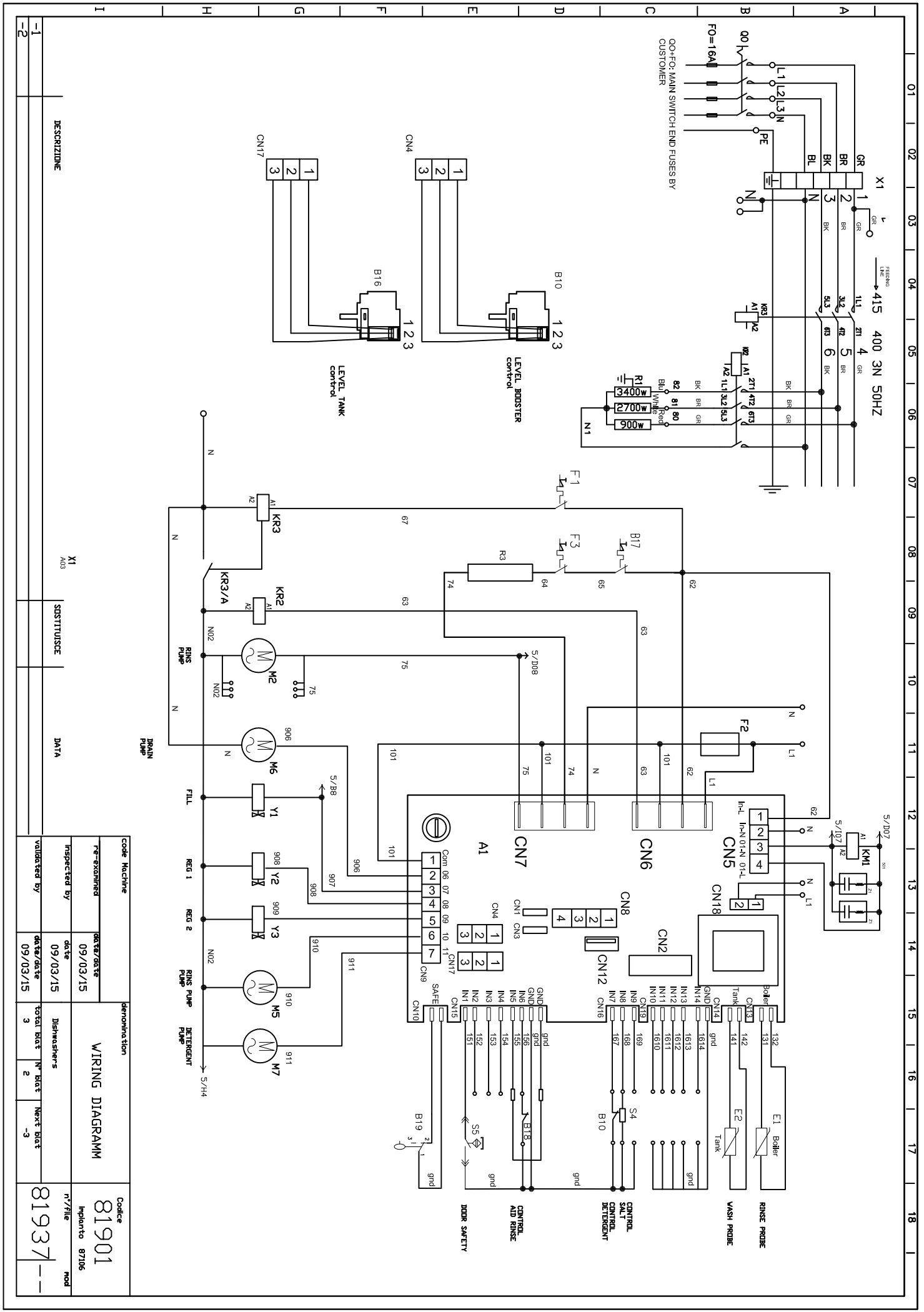
09/2016

Mod: D26/6B-RC

Production code: GH50PTRBEC



Diamond
catering equipment



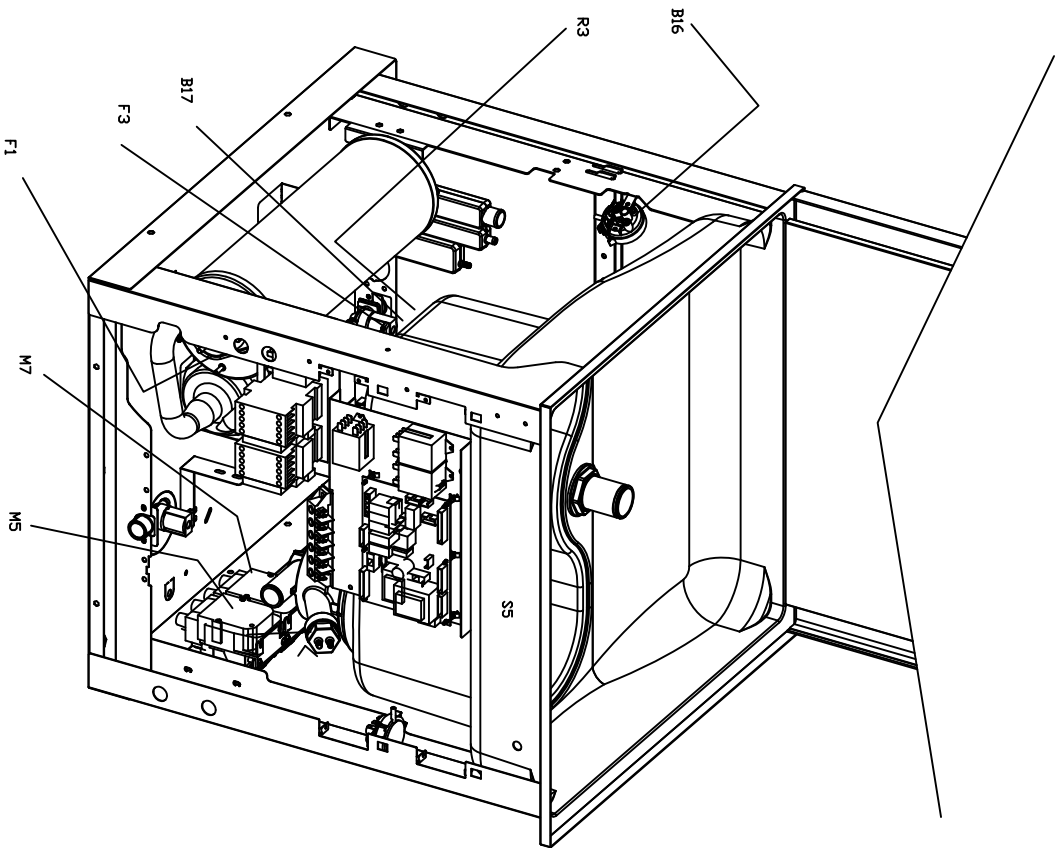
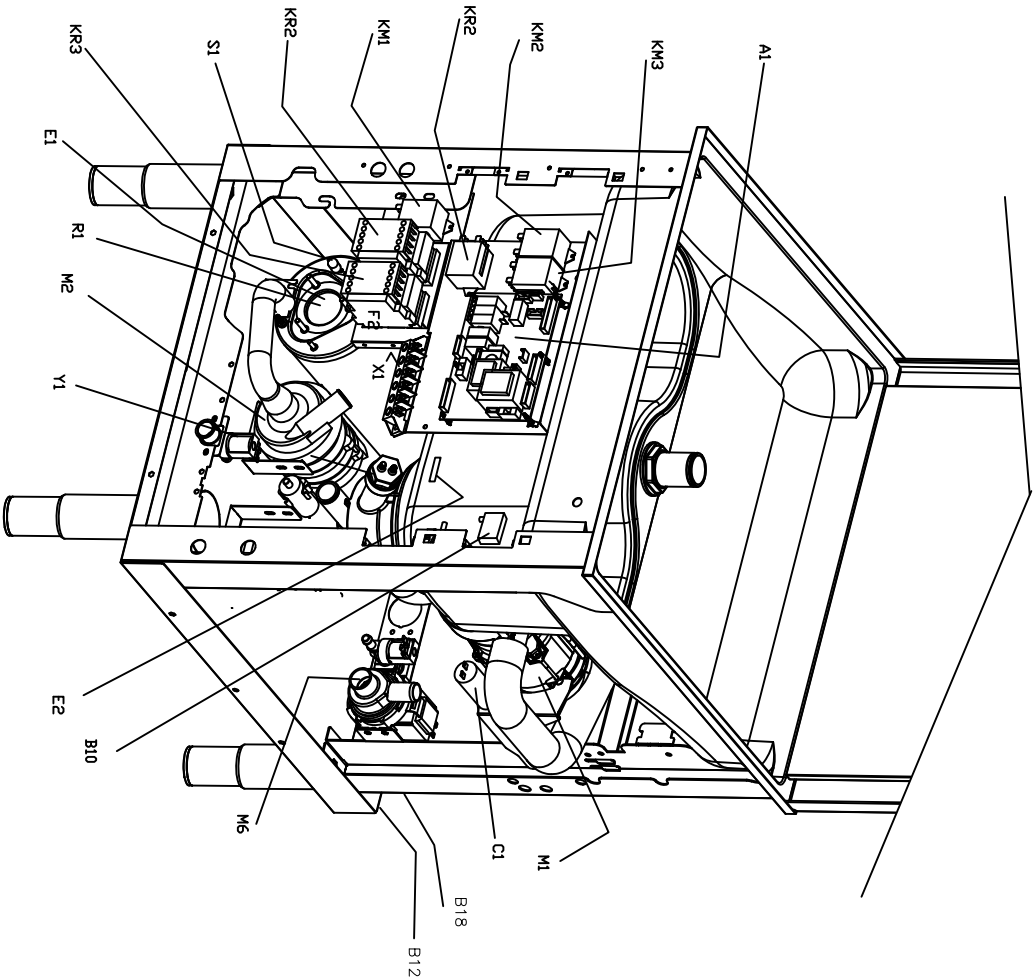
Code Machine		Re-Examined		Inspected by		Validated by		Code	
81901		09/03/15		09/03/15		09/03/15		81937	
Reproduction		WIRING DIAGRAM		Diswashers		Total Bact		Implanto 87106	
3		2		2		2		mod	
n°/file		n°/file		n°/file		n°/file		n°/file	
81937		81937		81937		81937		81937	

DESCRIZIONE

SOSTITUISCE

DATA

Code Machine
 Re-Examined
 Inspected by
 Validated by
 Code
 09/03/15
 09/03/15
 09/03/15
 Diswashers
 Total Bact
 3
 2
 2
 2
 2
 Code
 81901
 Implanto 87106
 n°/file
 81937



01 02 03 04 05 06 07 08 09 10 11 12 13 14 15 16 17 18

DESCRIZIONE

SOSTITUISCE

DATA

81456

code Machine

Codice

WIRING DIAGRAM

re-examined

date

inspected by

date

denomination

Dishwashers

n°/file

mod

09/05/14

total Blatt 3

81937

--

validated by

date

total Blatt 3

81937

--

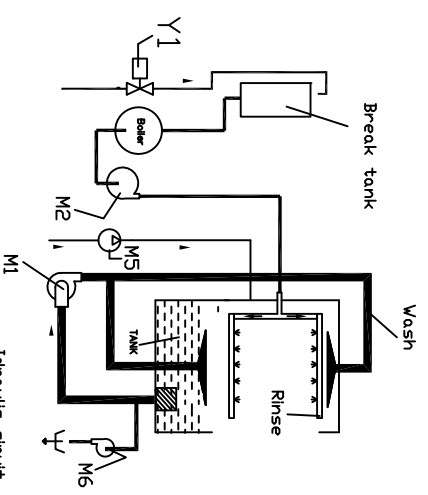
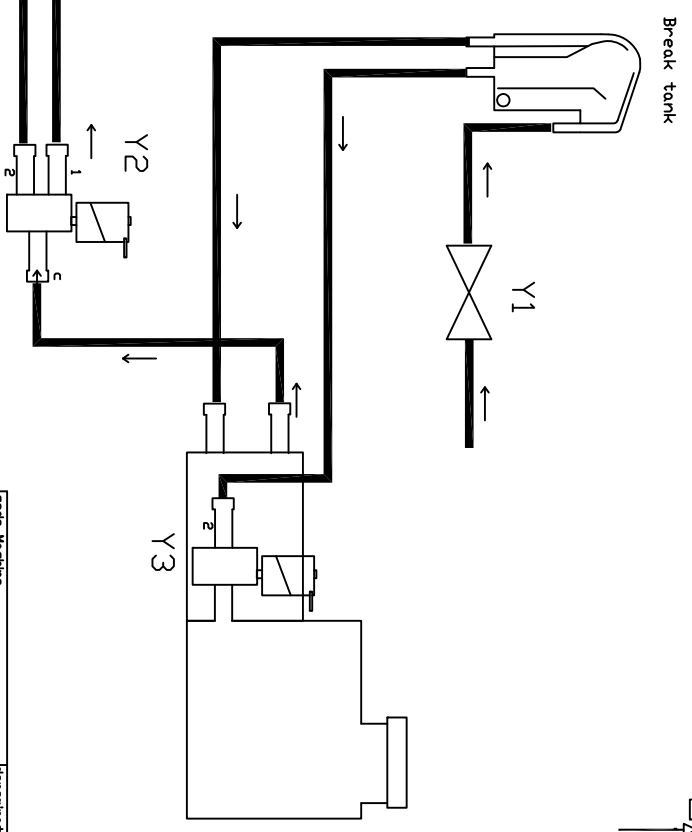
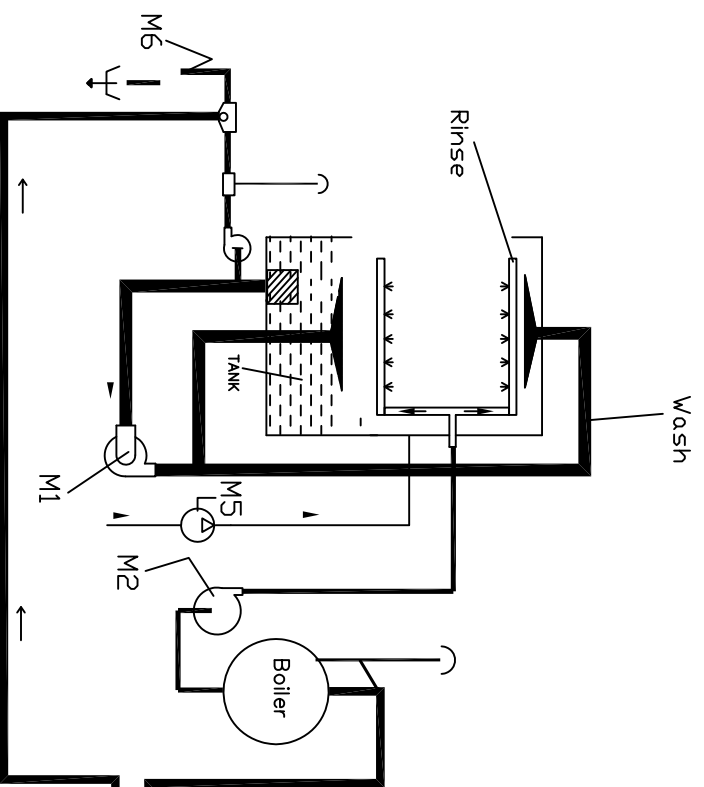
total Blatt 3

next Blatt -3

81937

--

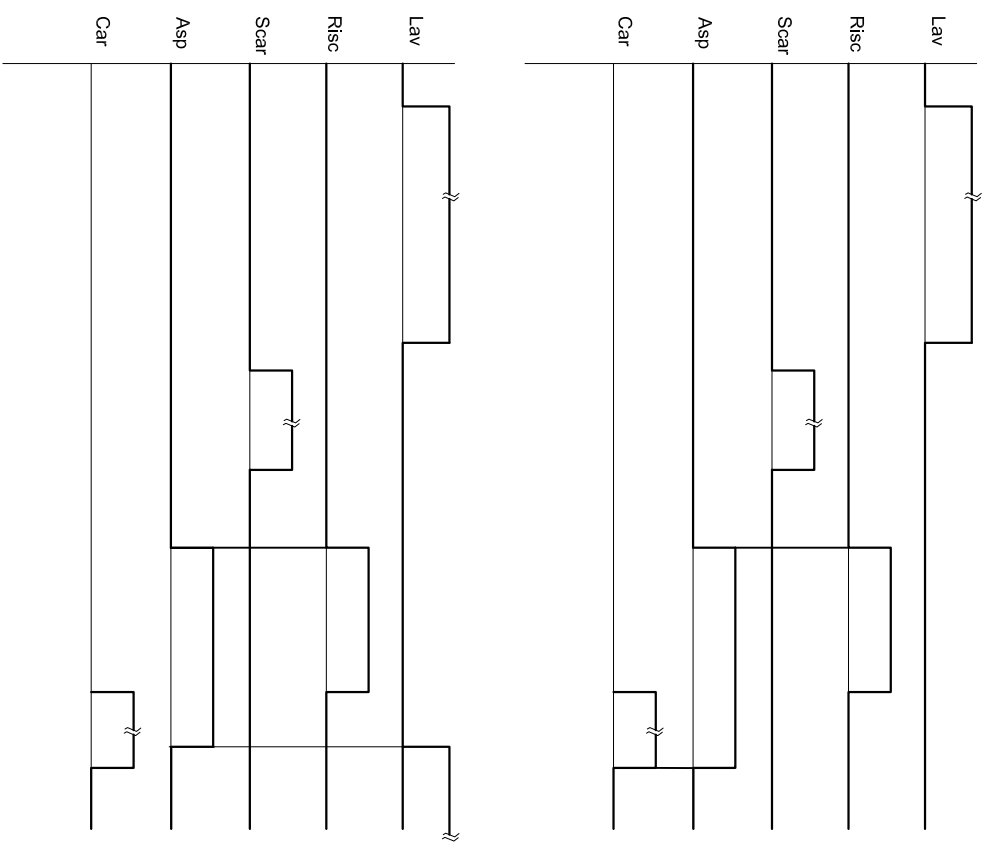
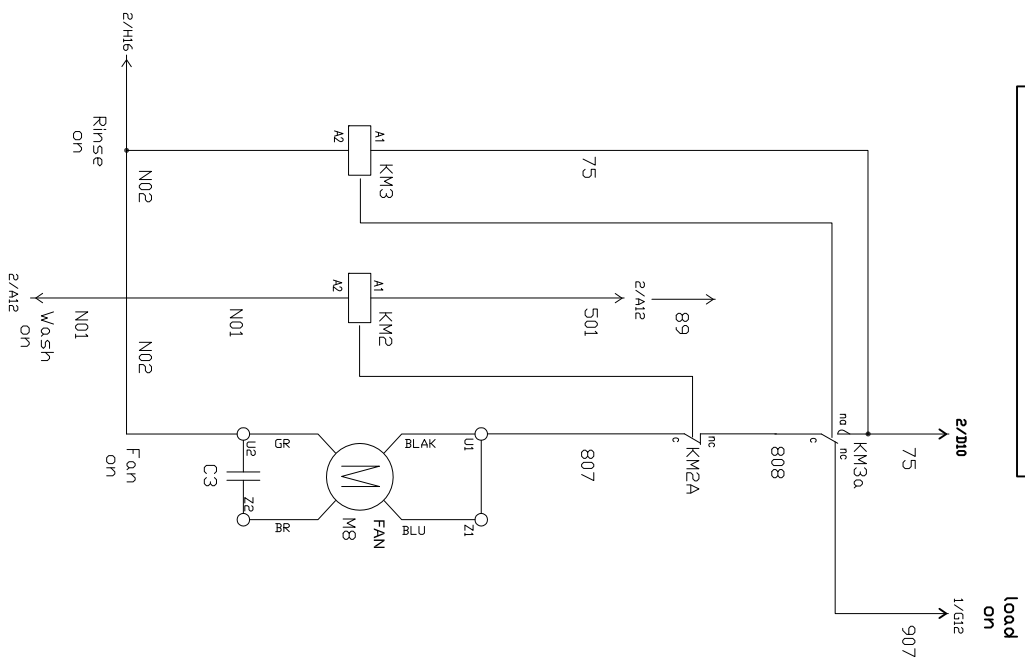
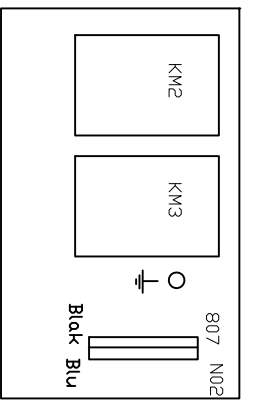
IN12	IN11	IN10	code	display
0	0	0	??	LCD
0	0	1	74904	C4-2
0	1	0	80889	D
0	1	1	207084	D
1	0	0	80945	T2-2
1	0	1	80945	T3-5
1	1	0	74901	C2-1
1	1	1	74901	C4-1



Macchina tipo		crpsp
IN14	IN13	0
0	0	1
0	1	0
1	0	1
1	1	b. press

Code Machine	denominazione	Codice
re-examined	Idraulic DIAGRAM	81937
inspected by		
validated by		
total Blot		
date/date	Dishwashers	n°/file
date/date	total Blot	mod
4	4	---
4	Next Blot	

EXTRACTOR FAN CONTROL



87115

DESCRIZIONE
 -1
 -2

SUBSTITUISCE

DATA

Code Machine		denominazione		Codice	
re-examined	date/date	WIRING DIAGRAM		n°/file	
inspected by	30/03/16	Dispositivos		81937	
validated by	date	total dict	4	N° dict	5
	date/date	Next dict	--		
mod					

WASH PROBE