

07/2013

Mod: DP35-EK(230/1)

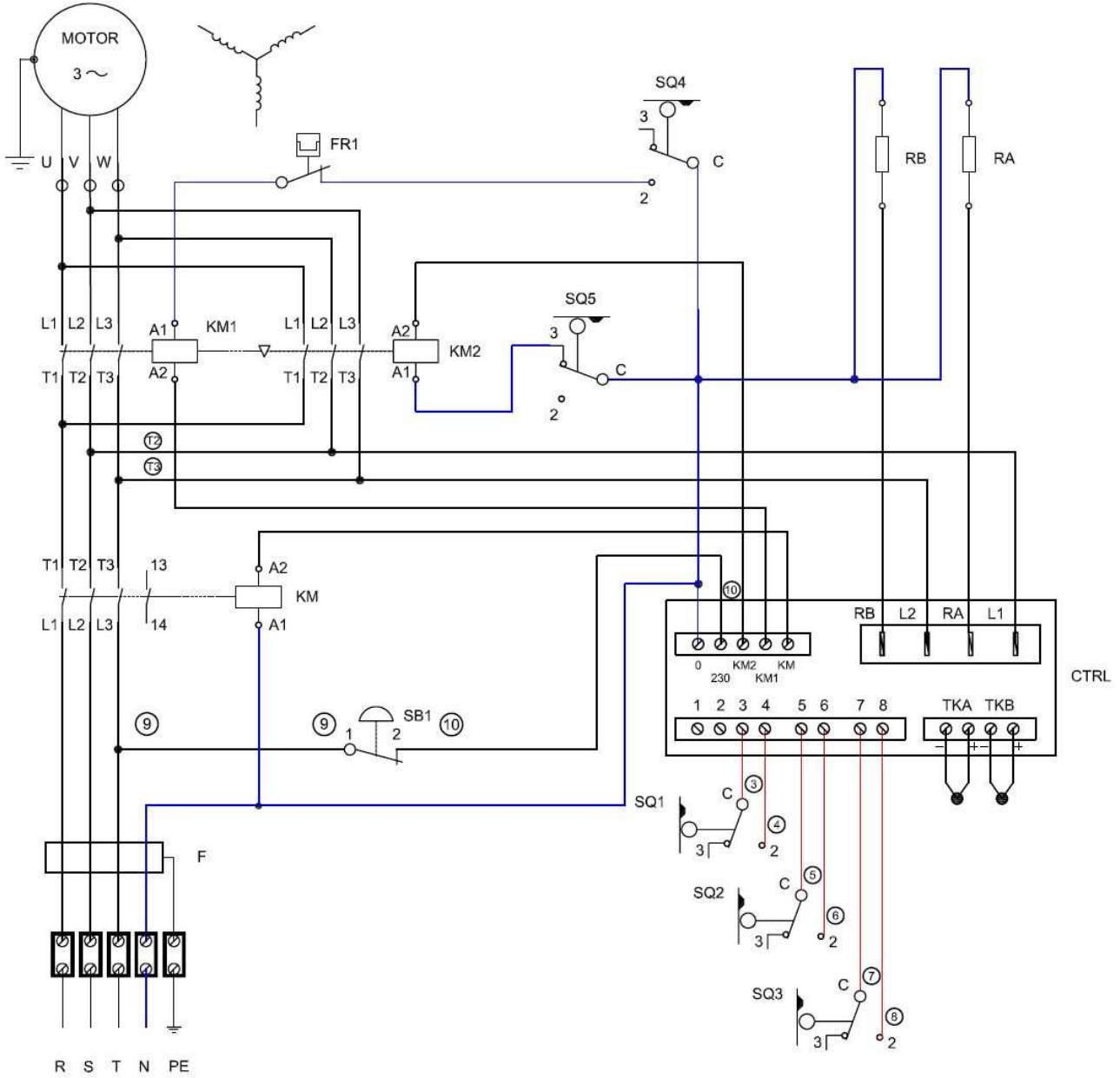
Production code: PZF/35DS



Diamond
catering equipment

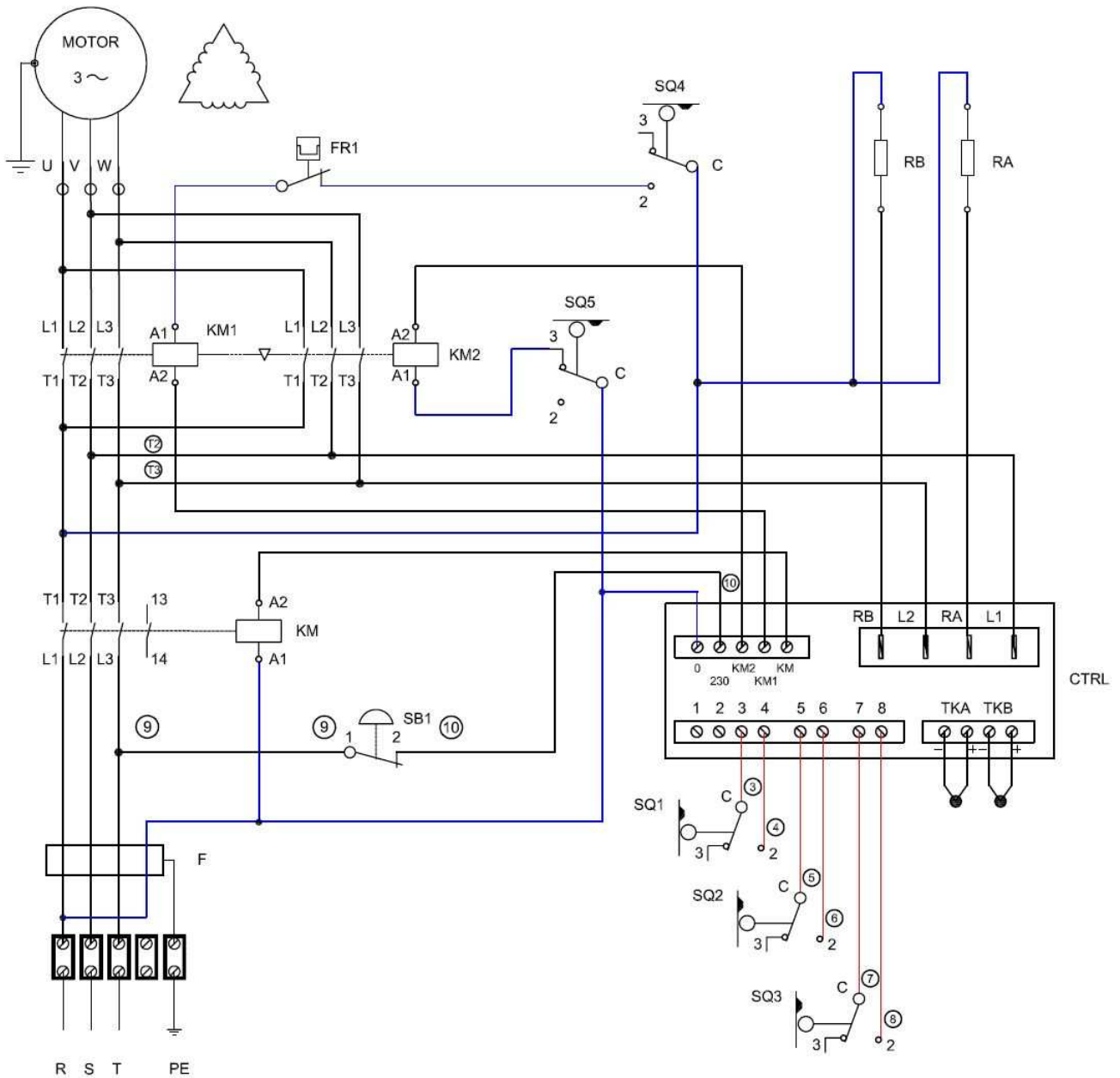
II. WIRING DIAGRAMS

1. Wiring diagram AC 3-N-400 50/60 Hz



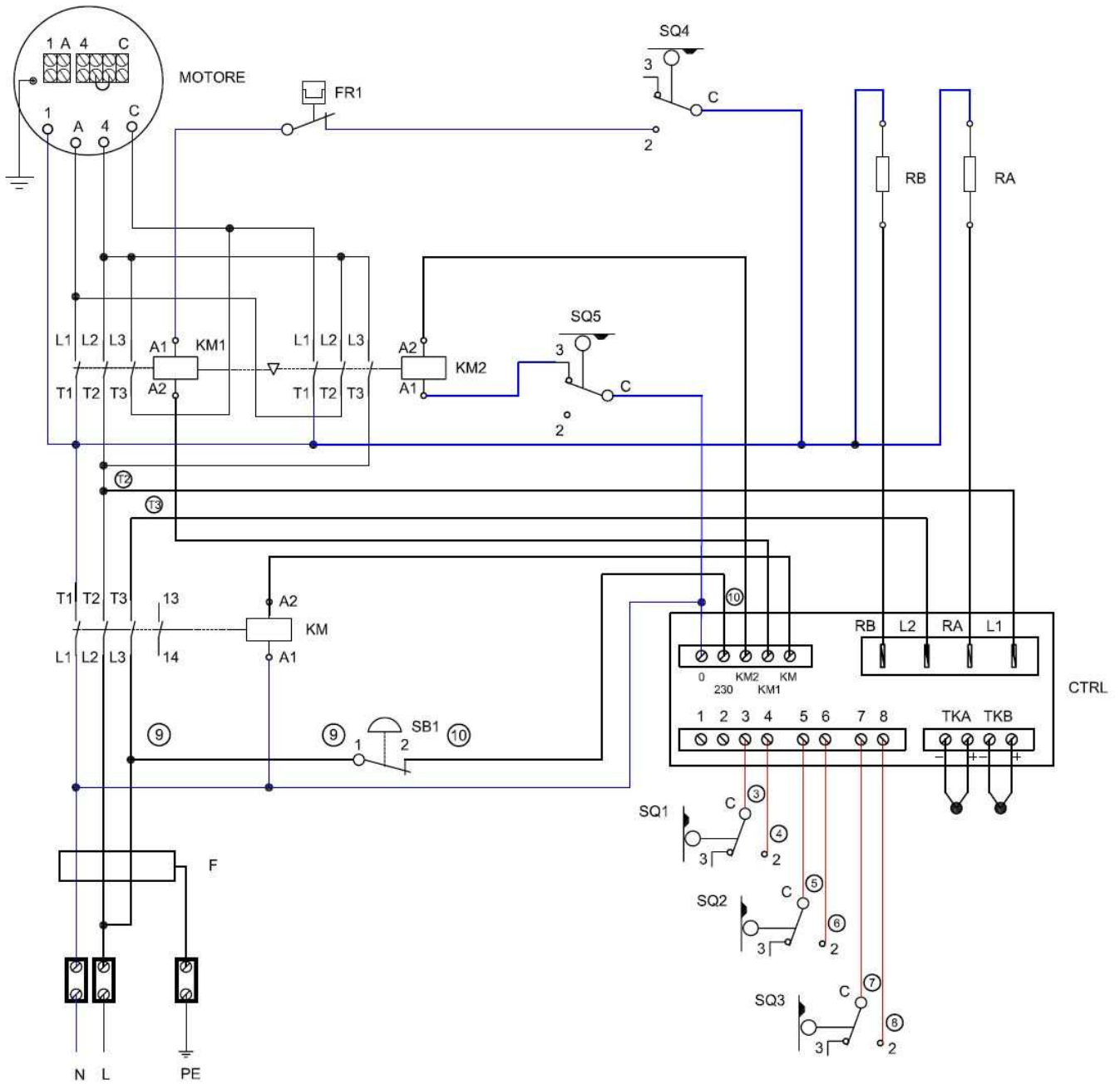
CTRL	Control panel	RB	Lower heating element
KM	General contactor	RA	Upper heating element
KM1	Closing contactor	SQU1	Safety microswitch
KM2	Opening contactor	SQU2	Closing microswitch
SB1	OFF button	SQU3	Microinterruttore apertura
FR	Internal thermal cut-out	SQU4	Opening microswitch

2. Wiring diagram AC 3-230 50/60 Hz



CTRL	Control panel	RB	Lower heating element
KM	General contactor	RA	Upper heating element
KM1	Closing contactor	SQU1	Safety microswitch
KM2	Opening contactor	SQU2	Closing microswitch
SB1	OFF button	SQU3	Microinterruttore apertura
FR	Internal thermal cut-out	SQU4	Opening microswitch

3. Wiring diagram AC 230 50/60 Hz



CTRL	Control panel	RB	Lower heating element
KM	General contactor	RA	Upper heating element
KM1	Closing contactor	SQU1	Safety microswitch
KM2	Opening contactor	SQU2	Closing microswitch
SB1	OFF button	SQU3	Microinterruttore apertura
FR	Internal thermal cut-out	SQU4	Opening microswitch

4. Electrical data

MODEL	VOLTAGE	INPUT Kw	AMPERES	CONNECTING CABLE
PZF30DS	AC 230 V	3.8	17.0	3x2.5 mm ²
	AC 3 230 V		16.5	4x2.5 mm ²
	AC 3 N 400 V		8.5	5x1 mm ²
PZF35DS	AC 230 V	3.8	17.0	3x2.5 mm ²
	AC 3 230 V		16.5	4x2.5 mm ²
	AC 3 N 400 V		8.5	5x1 mm ²
PZF40DS	AC 230 V	5.2	24.0	3x2.5 mm ²
	AC 3 230 V		23.0	4x2.5 mm ²
	AC 3 N 400 V		12.0	5x1.5 mm ²
PZF45DS	AC 230 V	6.0	27.5	3x4 mm ²
	AC 3 230 V		26.0	4x4 mm ²
	AC 3 N 400 V		13.5	5x1.5 mm ²
PZF50DS	AC 230 V	6.0	27.5	3x4 mm ²
	AC 3 230 V		26.0	4x4 mm ²
	AC 3 N 400 V		13.5	5x1.5 mm ²

N.B. These cords may only be used if their length does not exceed 2 m between the point where the cord or cord guard enters the appliance and the entry to the plug.