

11/2017

Mod: E3F/24R

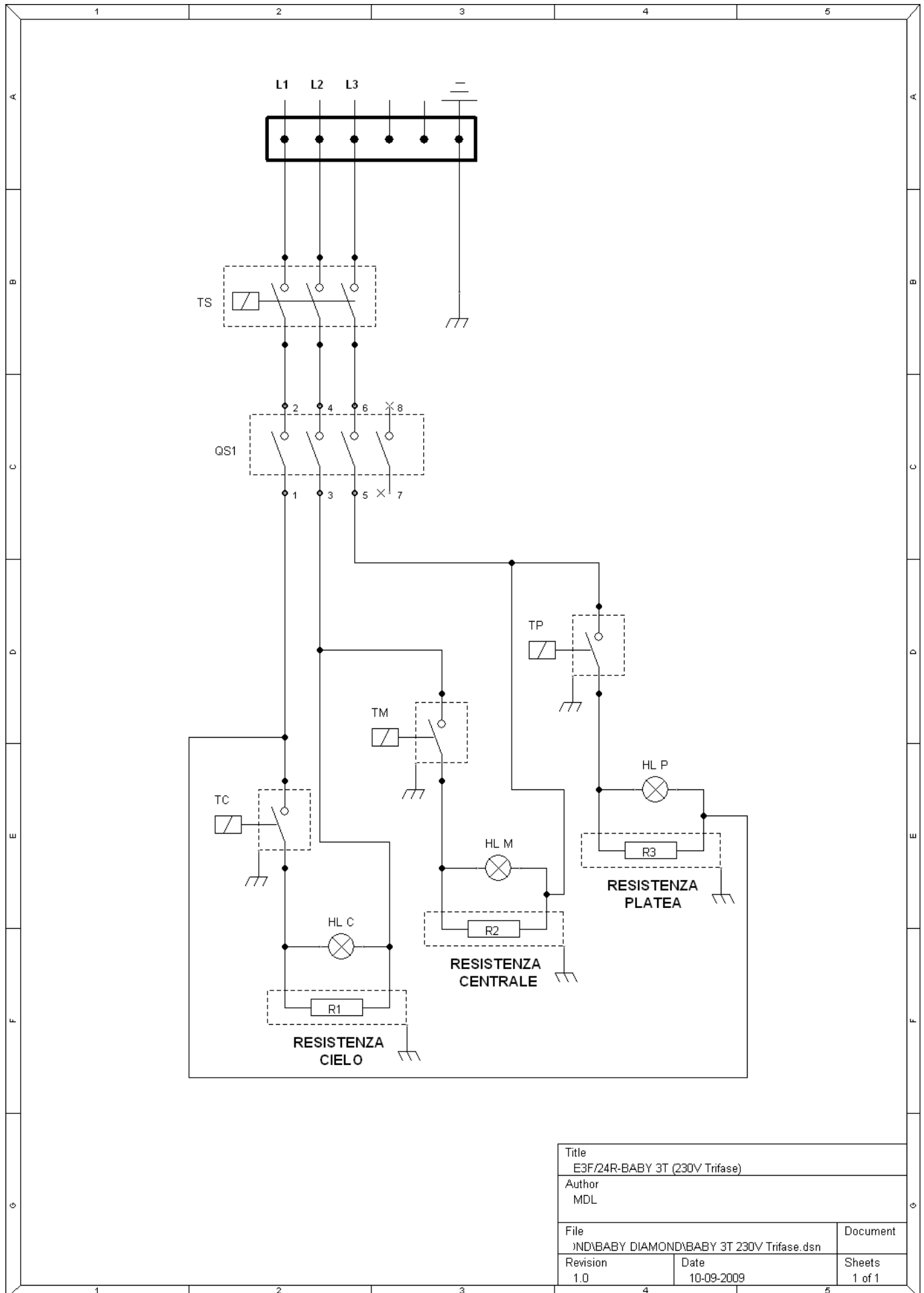
Production code: P07BB09001



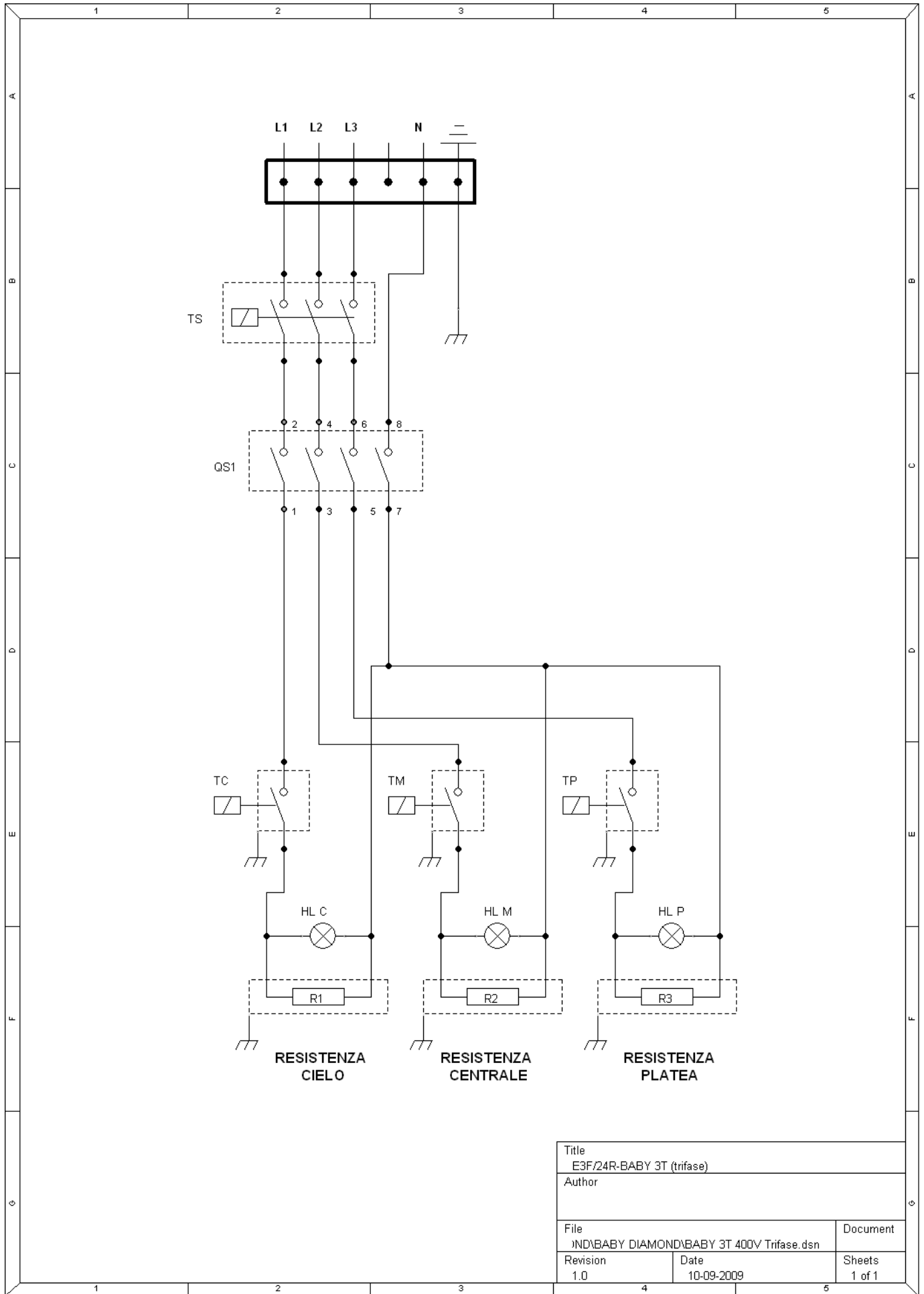
Diamond
catering equipment

SCHEMI ELETTRICI FORNI BABY-ENTRY

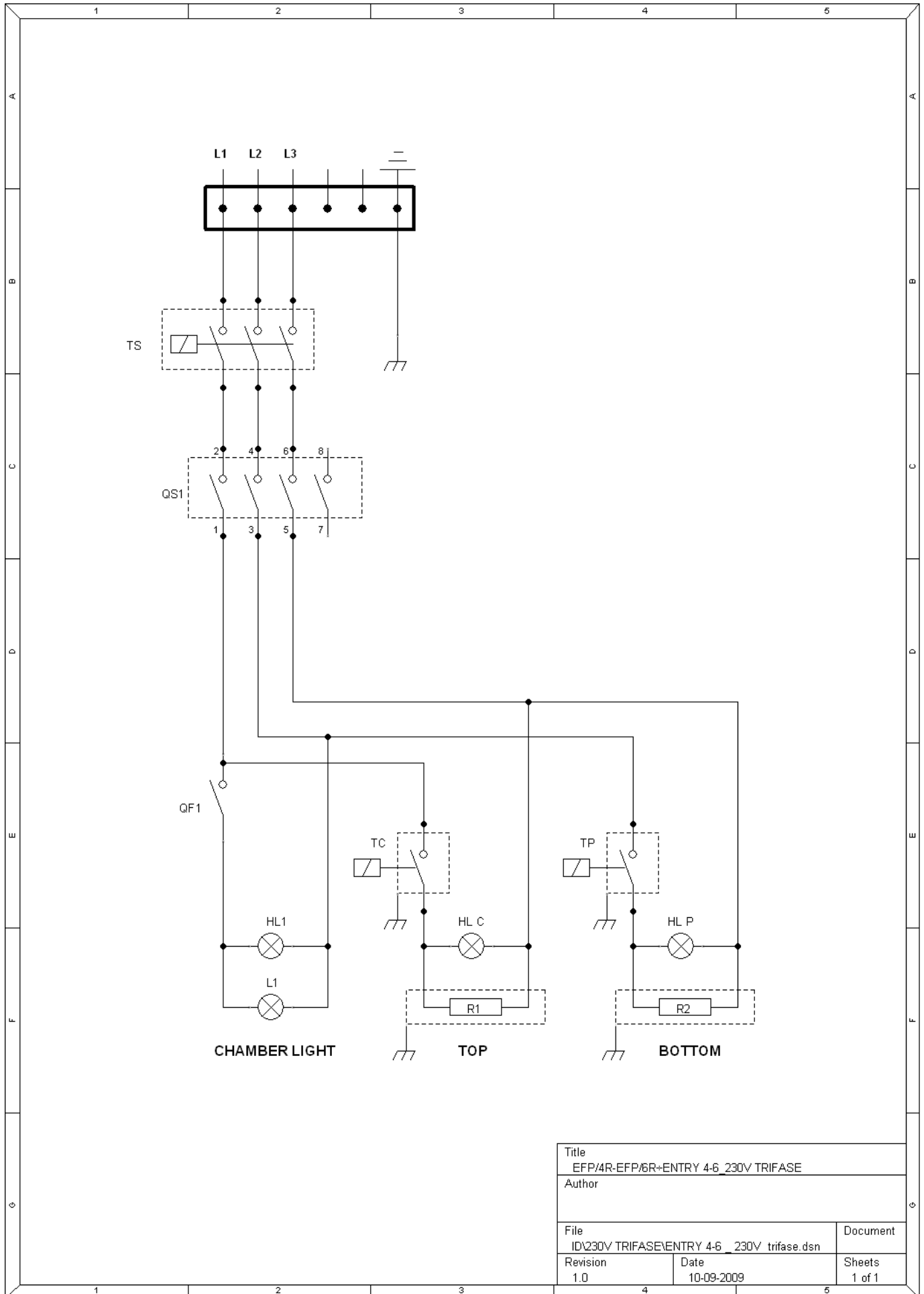
**(ELECTRICAL SCHEME
BABY-ENTRY OVENS)**



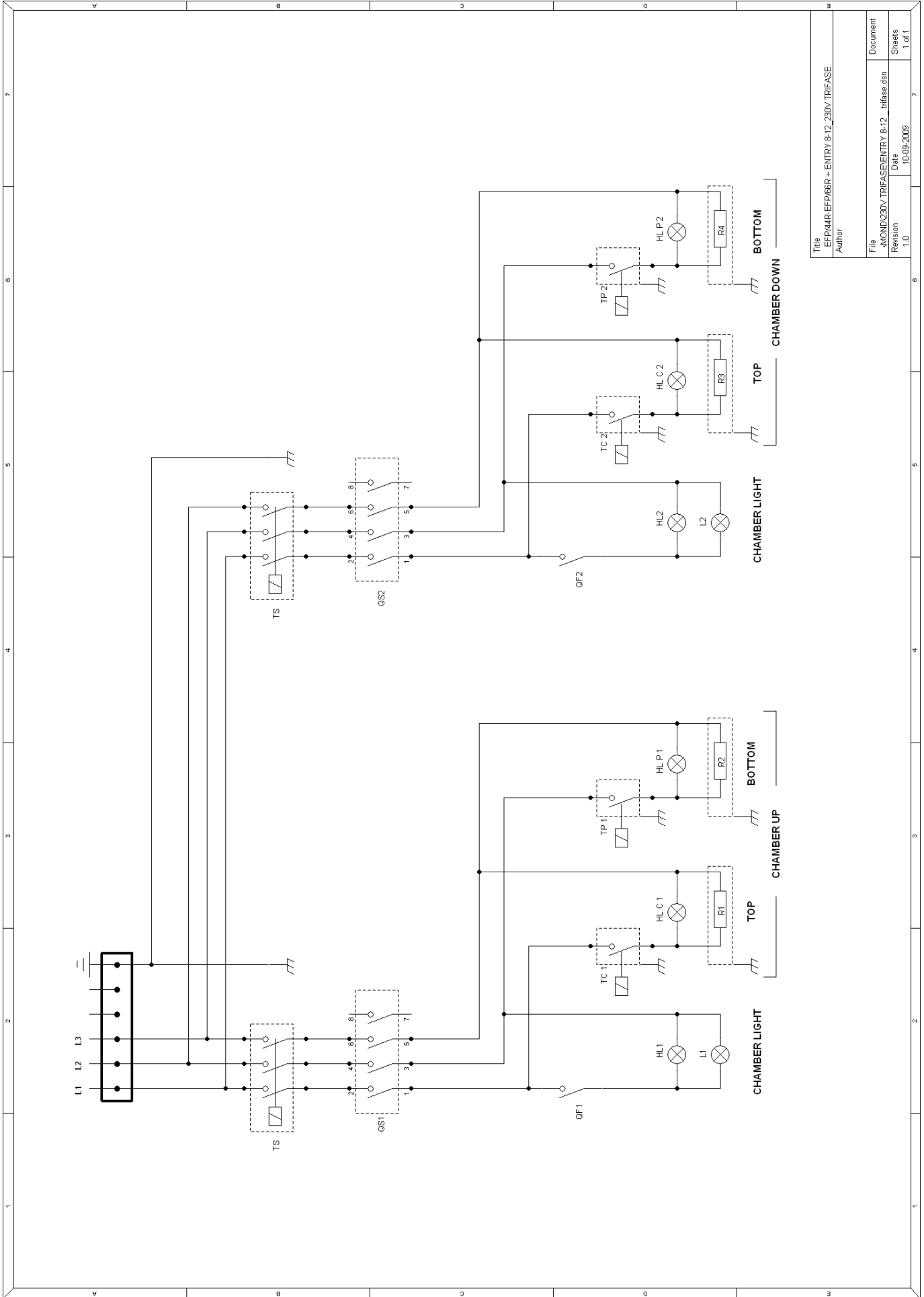
Title E3F/24R-BABY 3T (230V Trifase)		
Author MDL		
File JND\BABY DIAMOND\BABY 3T 230V Trifase.dsn	Document	
Revision 1.0	Date 10-09-2009	Sheets 1 of 1



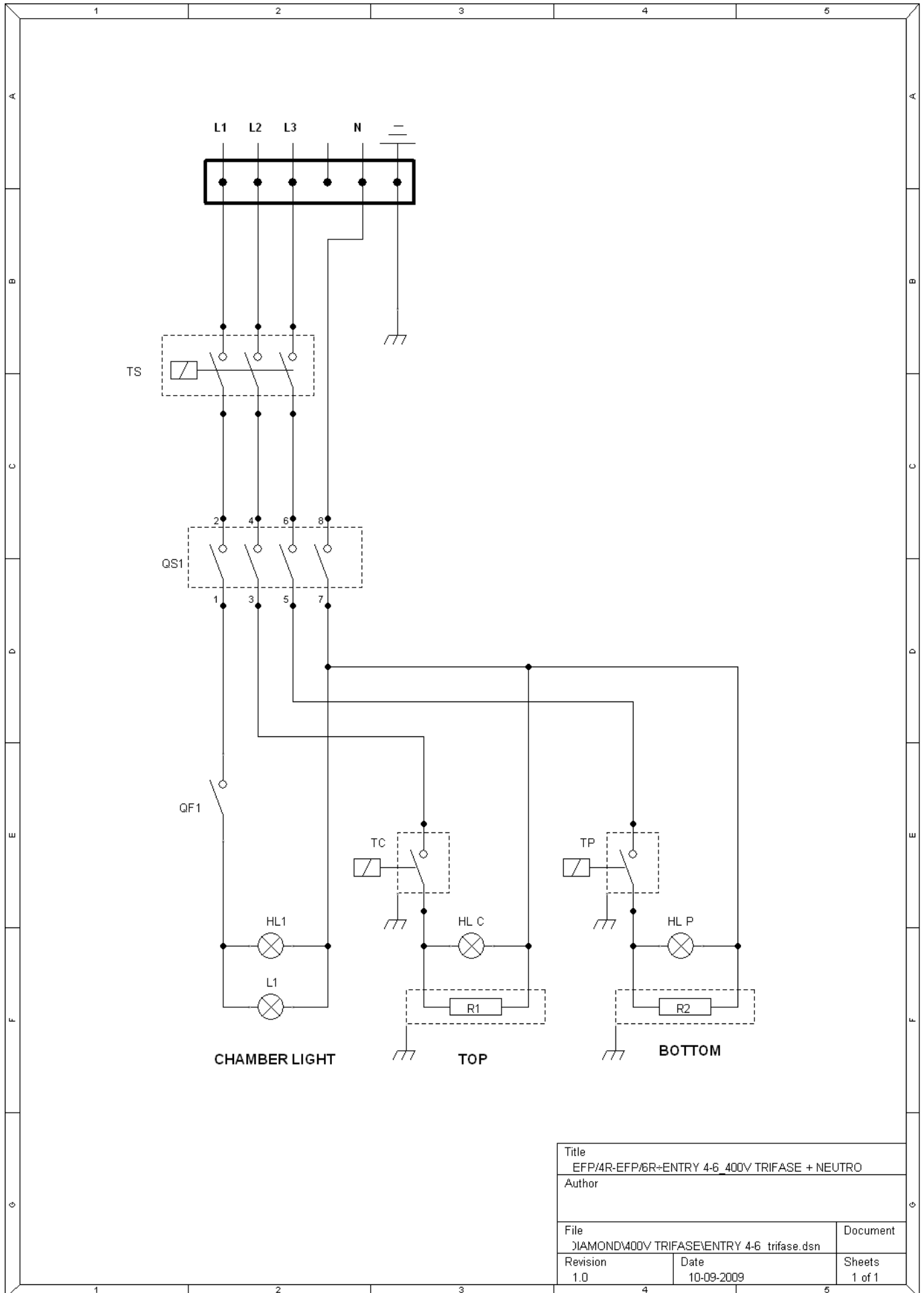
Title E3F/24R-BABY 3T (trifase)		
Author		
File JND\BABY DIAMOND\BABY 3T 400V Trifase.dsn	Document	
Revision 1.0	Date 10-09-2009	Sheets 1 of 1



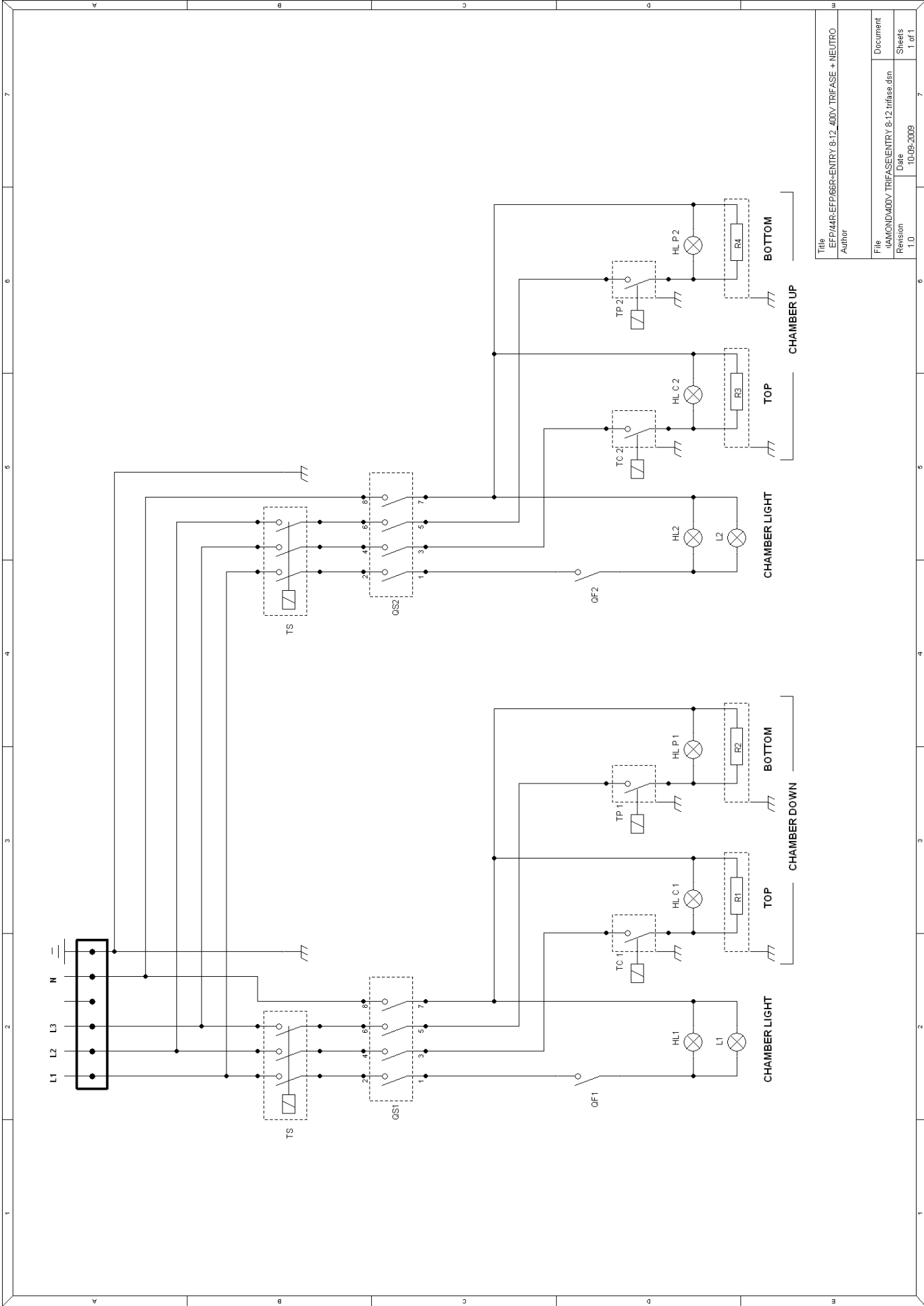
Title EFP/4R-EFP/6R-ENTRY 4-6_230V TRIFASE		
Author		
File ID\230V TRIFASE\ENTRY 4-6_230V trifase.dsn	Document	
Revision 1.0	Date 10-09-2009	Sheets 1 of 1



Title		EFP/4R/EFP/66R + ENTRY 8-12-230V TRIFASE	
Author			
File	.MOND\230V TRIFASE\ENTRY 8-12 - trifase.dgn	Document	
Revision	1.0	Date	10-05-2009
		Sheets	1 of 1



Title EFP/4R-EFP/6R-ENTRY 4-6 400V TRIFASE + NEUTRO		
Author		
File DIAMOND\400V TRIFASE\ENTRY 4-6 trifase.dsn	Document	
Revision 1.0	Date 10-09-2009	Sheets 1 of 1



Title EFP4MR-EFP6GR-ENTRY 8-12-400V-TRIFASE +NEUTRO	
Author	
File DIAMOND400V-TRIFASE-ENTRY-8-12-Infraase.dsn	Document
Revision 1.0	Sheets 1 of 1
Date 10-09-2009	

Legenda schema elettrico	
QS1-QS2	INTERRUTTORE GENERALE
TS	TERMOSTATO TRIFASE DI SICUREZZA
TC1-TC2	TERMOSTATO RESISTENZE CIELO
TP1-TP2	TERMOSTATO RESISTENZE PLATEA
QF1-QF2	INTERRUTTORE LUCE CAMERA
L1-L2	LUCE ILLUMINAZIONE CAMERA
HL1-HL2	SPIA INTERRUTTORE LUCE CAMERA
HLC1-HLC2	SPIA ATTIVAZIONE RESISTENZE CIELO
HLP1-HLP2	SPIA ATTIVAZIONE RESISTENZE PLATEA
R	RESISTENZE

Electrical scheme legend	
QS1-QS2	MAIN SWITCH
TS	TRIPHASES SAFETY THERMOSTAT
TC1-TC2	TOP HEATING ELEMENTS THERMOSTAT
TP1-TP2	BOTTOM HEATING ELEMENTS THERMOSTAT
QF1-QF2	COOKING CHAMBER LIGHT SWITCH
L1-L2	COOKING CHAMBER LIGHT
HL1-HL2	COOKING CHAMBER LIGHT SWITCH LED
HLC1-HLC2	TOP HEATING ELEMENTS FUNCTION PILOT LIGHT
HLP1-HLP2	BOTTOM HEATING ELEMENTS FUNCTION PILOT LIGHT
R	HEATING ELEMENTS

