

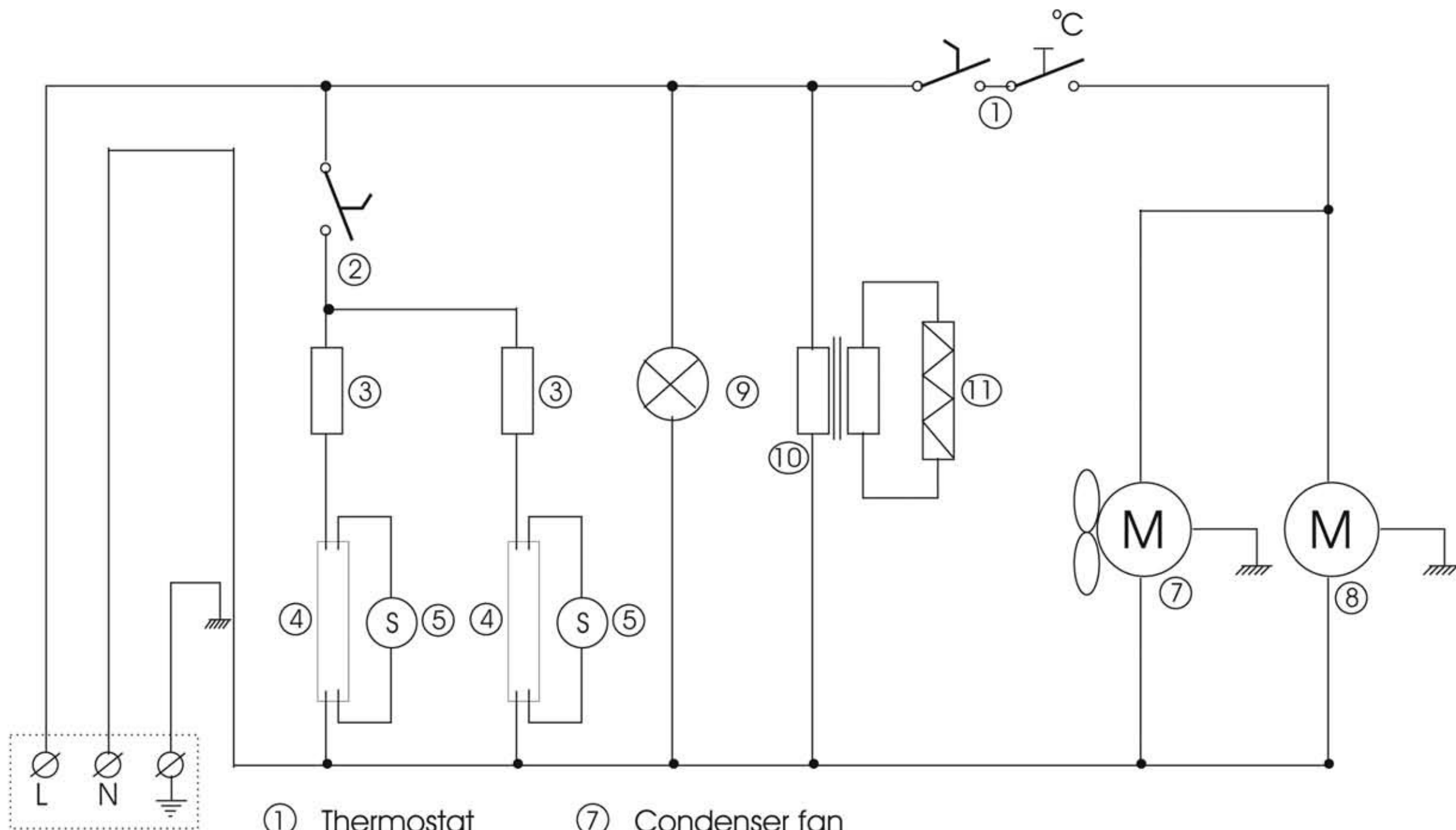
09/2018

# **Mod: E50NC/R2**

**Production code: UFFS1450GCP-P**



**Diamond**  
catering equipment



- ① Thermostat
- ② Light switch
- ③ Ballast
- ④ Neon lamp
- ⑤ Neon starter
- ⑦ Condenser fan
- ⑧ Compressor
- ⑨ Green control lamp
- ⑩ Transformer, 230/48 VAC
- ⑪ Door heater

	Date: 140413
Model: UFFS1450GCP	Rev.: 01
Wiring diagram	Rev. by: rfj
Drawing no.:	