

04/1998

# **Mod: E65/4PFV7 (230/3)**

**Production code: 65/70 CFE-230/3**



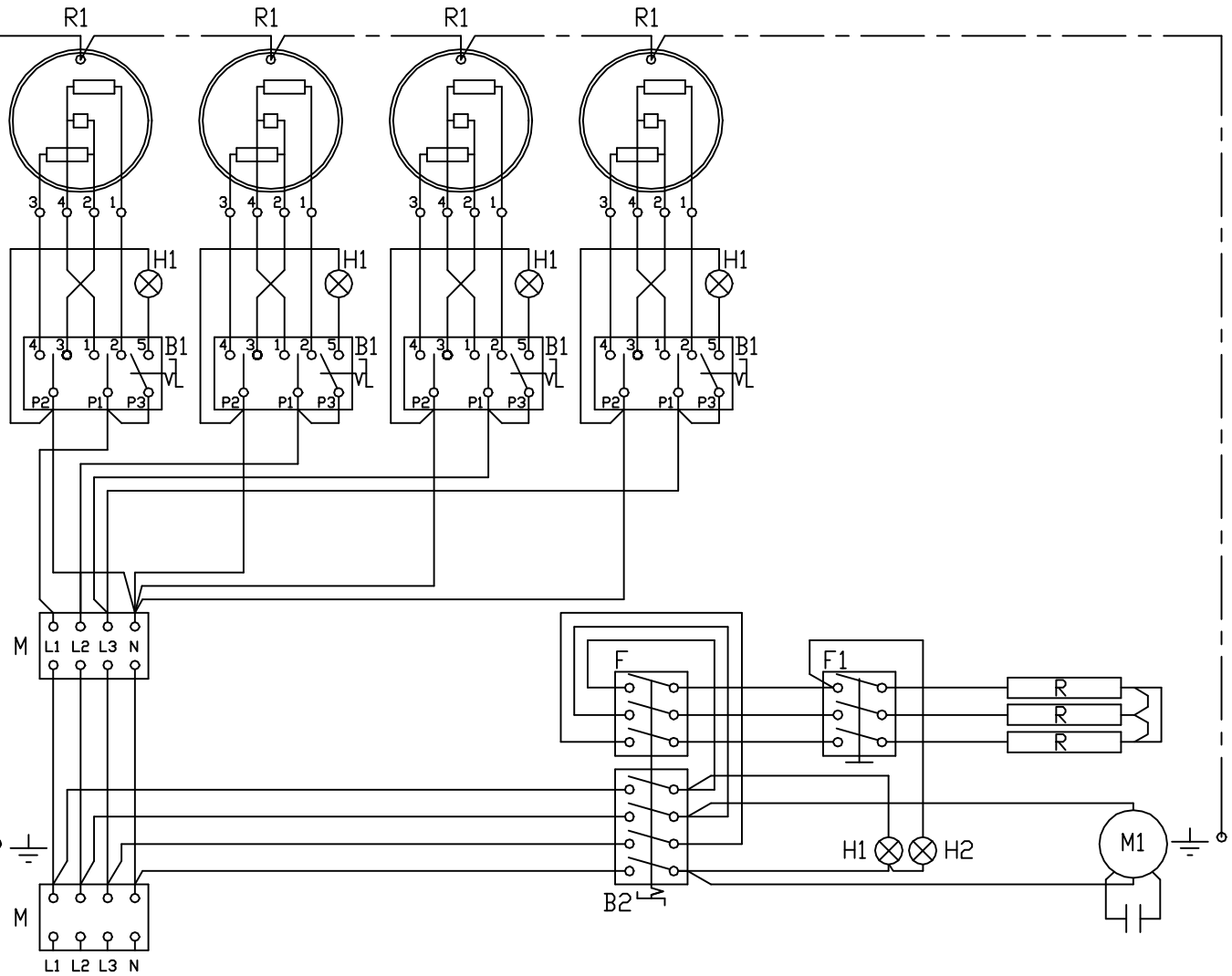
**Diamond**  
catering equipment

CUCINA EL CON FORNO A CONVEZIONE  
 FORNEAUX EL AVEC FOUR A AIR PULSE  
 ELEKTROHERD MIT UMLUFTOFEN  
 ELECTRIC RANGE W/CONVECTION OVEN

E65/4PF7

CODICE  
 251.070.00

DATA 15.04.98



- M -MORSETTIERA ARRIVO LINEA \_ JUNCTION BOX POWER INLET (FV173 V/V) COD: 663.036.00  
 BORNES ARRIVEE LIGNE \_ ANSCHLUSSBRETT
- B1 -COMMUTATORE \_ CHANGE OVER SWITCH ( EGO 49.27215.746 ) COD: 661.002.00  
 COMMUTEUR \_ UMSCHALTER
- B2 -INTERRUTTORE \_ CUTT-OFF SWITCH ( EGO 49.41015.30 ) COD: 661.000.00  
 INTERRUPTEUR \_ EIN-AUS SCHALTER
- F -TERMOSTATO \_ THERMOSTAT ( EGO 55.34052.815 ) COD: 661.027.00
- F1 -TERMOSTATO DI SICUREZZA - SAFETY THERMOSTAT ( EGO 55.32562.802 ) COD: 661.045.00  
 THERMOSTAT DE SECURITE \_ TEMPERATURBEGRENZER
- H1 -LAMPADA SPIA VERDE \_ GREEN PILOT LIGHT COD: 663.000.00  
 LAMPE TEMDIN VERT \_ GRUNE KONTROLLAMPE
- H2 -LAMPADA SPIA ARANCIO \_ ORANGE PILOT LIGHT COD: 663.001.00  
 LAMPE TEMDIN ORANGE \_ GELBE KONTROLLAMPE
- M1 -MOTORE \_ MOTOR ( 230 V ) COD: 664.000.00  
 MOTEUR
- R -RESISTENZA \_ HEATING ELEMENT ( 1,26 kW - 230 V ) COD: 665.008.00  
 RESISTANCE \_ HEIZKÖRPER
- R1 -PIASTRA ELETTRICA \_ ELECTRIC COOKING PLATE (2,6kW - 240 V ) COD: 665.006.00  
 PLAQUE ELECTRIQUE \_ ELEKTRO KOCHPLATTE

SUSSTITUISUE PAKI NUMERU DEL 19/01/98

POTENZA TOTALE - TOTAL POWER  
 PUISSANCE TOTAL - ANSCHLUSSWERT

13,56kW 400V+3N~ 26,6A 50HZ