

01/1998

# Mod: E65/BM4T

Production code: 65/40 BME



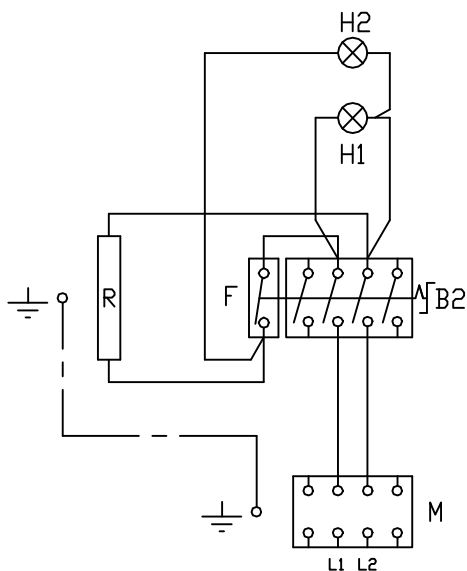
**Diamond**  
catering equipment

BAGNOMARIA  
BAIN MARIE  
WASSERBAD  
FOOD WARNER

E65/BM4T

CODICE  
251.073.00

DATA 22.01.98



- M -MORSETTIERA ARRIVO LINEA \_ JUNCTION BOX POWER INLET \_\_\_\_\_ ( PA 44 ) COD: 663.018.00  
BORNES ARRIVEE LIGNE \_ANSCHLUSSBRETT
- B2 -INTERRUTTORE \_ CUTT-OFF SWITCH \_\_\_\_\_ ( EGD 49.41015.30 ) COD: 661.000.00  
INTERRUPTEUR \_ EIN-AUS SCHALTER
- F -THERMOSTATO \_ THERMOSTAT \_\_\_\_\_ ( EGD 55.19022.800 ) COD: 661.004.00
- H1 -LAMPADA SPIA VERDE \_ GREEN PILOT LIGHT \_\_\_\_\_ COD: 663.000.00  
LAMPE TEMDIN VERT \_ GRUNE KONTROLLAMPE
- H2 -LAMPADA SPIA ARANCIO \_ ORANGE PILOT LIGHT \_\_\_\_\_ COD: 663.001.00  
LAMPE TEMDIN ORANGE \_ GELBE KONTROLLAMPE
- R -RESISTENZA \_ HEATING ELEMENT \_\_\_\_\_ ( 1,5kW - 230 V ) COD: 665.003.00  
RESISTANCE \_ HEIZKÖRPER

SUSSTITUISCE PARTI NUMERU DEL UZ/U//90

POTENZA TOTALE - TOTAL POWER  
PUISSANCE TOTAL - ANSCHLUSSWERT

1,5kW 230V~ 6,52A 50/60HZ