

04/2013

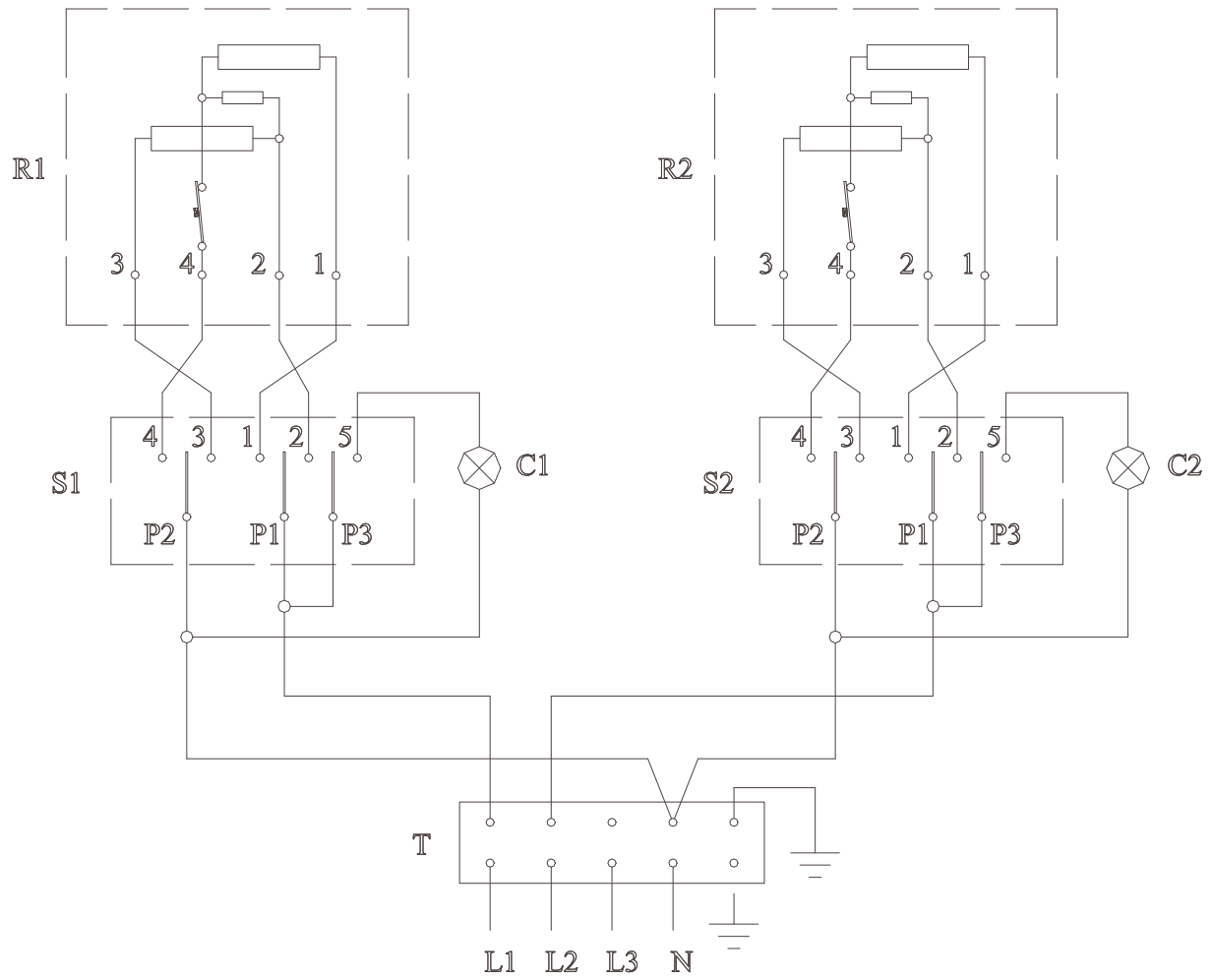
Mod: ES6/2PT-N

Production code: SP-30 ELS



Diamond
catering equipment

WIRING DIAGRAM : SP – 30 ELS



T – terminal board
 S1, S2 – commutators
 C1, C2 – green control lights
 R1, R2 – hotplates