

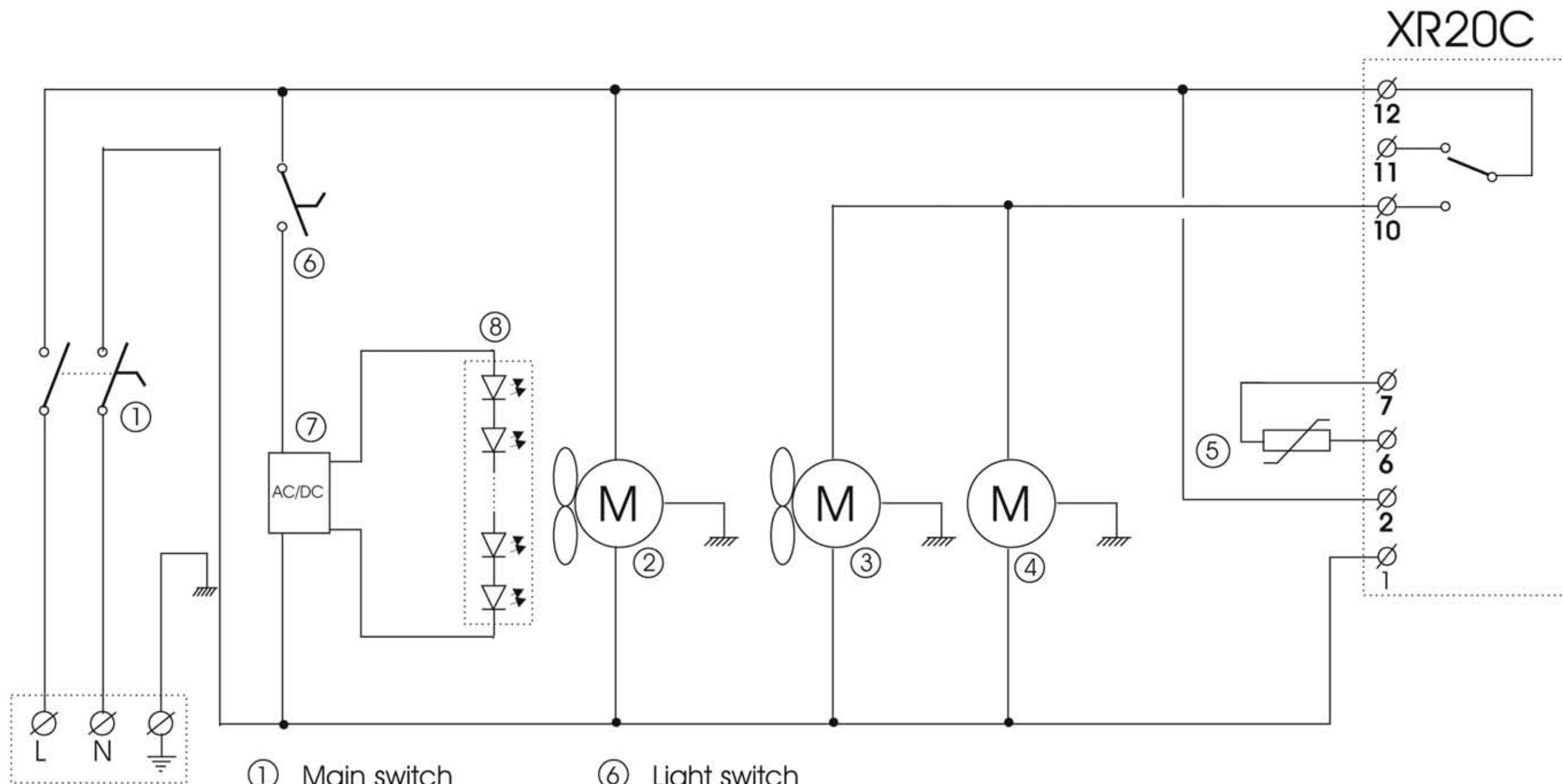
06/2016

Mod: MIC-48/B

Production code: UPD80 BLACK



Diamond
catering equipment



- ① Main switch
- ② Evaporator fan
- ③ Condenser fan
- ④ Compressor
- ⑤ Cabinet probe
- ⑥ Light switch
- ⑦ LED Power supply
- ⑧ LED strip

	Date: 140413
Model: UPD60-80	Rev.: 01
Wiring diagram	Rev. by: rfj
Drawing no.:	