

02/2014

Mod: NE1840

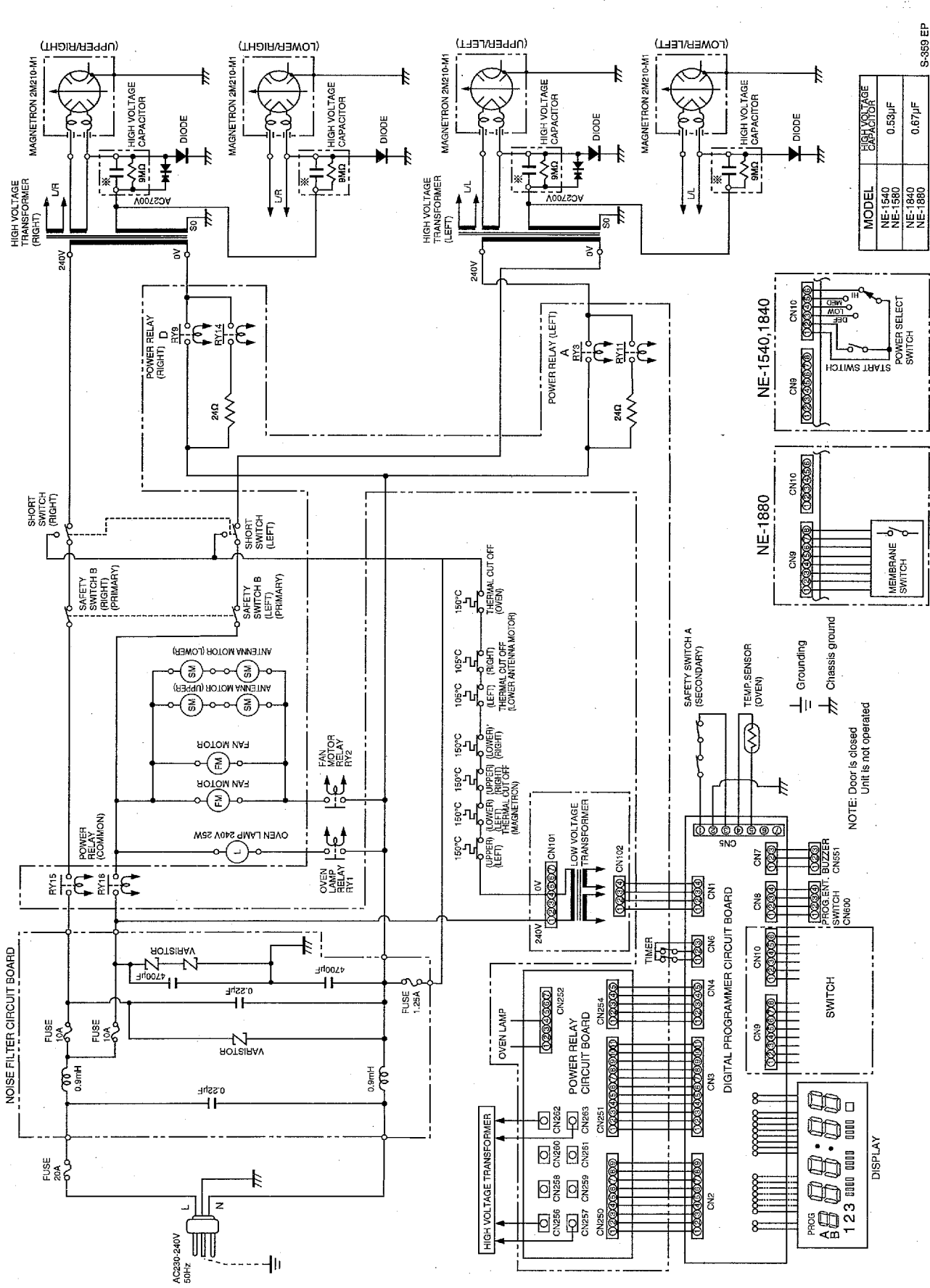
Production code: NE1840



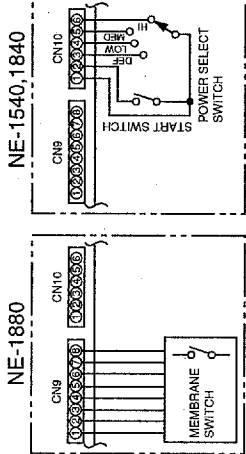
Diamond
catering equipment

SCHEMATIC DIAGRAM NE-1880/1840/1540

SCHEMATIC DIAGRAM NE-1880/1840/1540



MODEL	HIGH VOLTAGE CAPACITOR
NE-1540	0.58µF
NE-1580	0.58µF
NE-1840	0.67µF
NE-1880	0.67µF

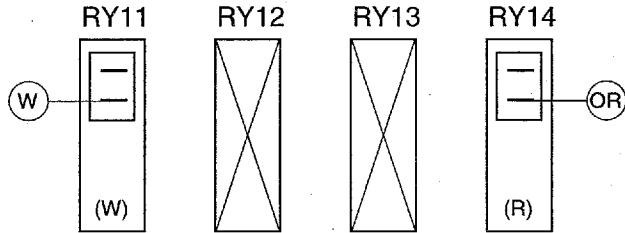
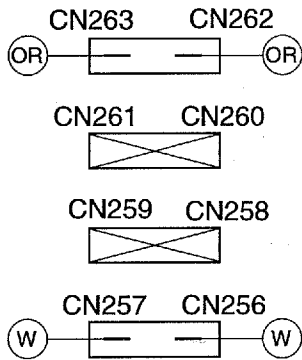


NOTE: Door is closed
Unit is not operated

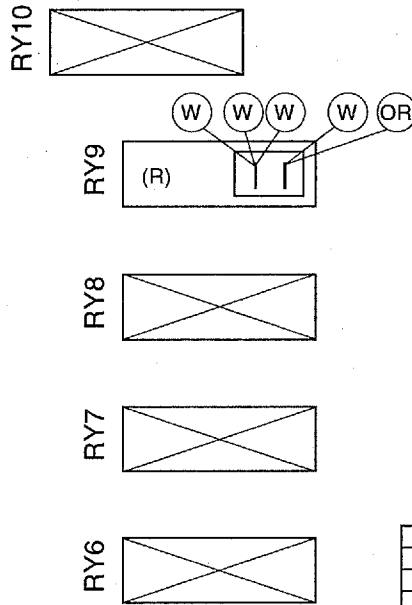
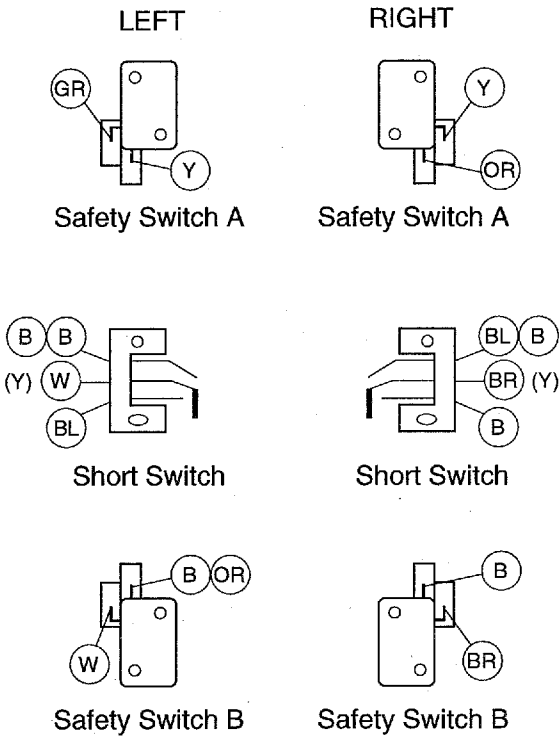
S-5859 EP

WIRING DIAGRAM NE-1880/1840/1540

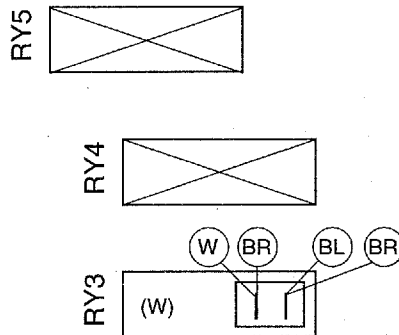
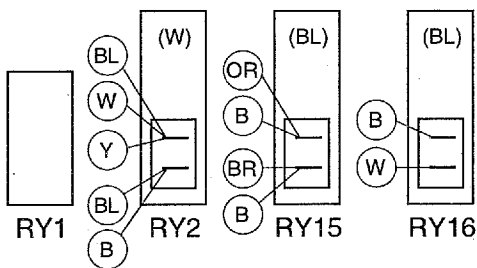
RELAYS AND CONNECTOR WIRING ON TOP OF OVEN



SWITCH WIRING



SYMBOL	COLOUR
B	BLACK
R	RED
OR	ORANGE
GR	GREY
BR	BROWN
Y	YELLOW
BL	BLUE
W	WHITE
V	VIOLET



S-359 EP
M028