

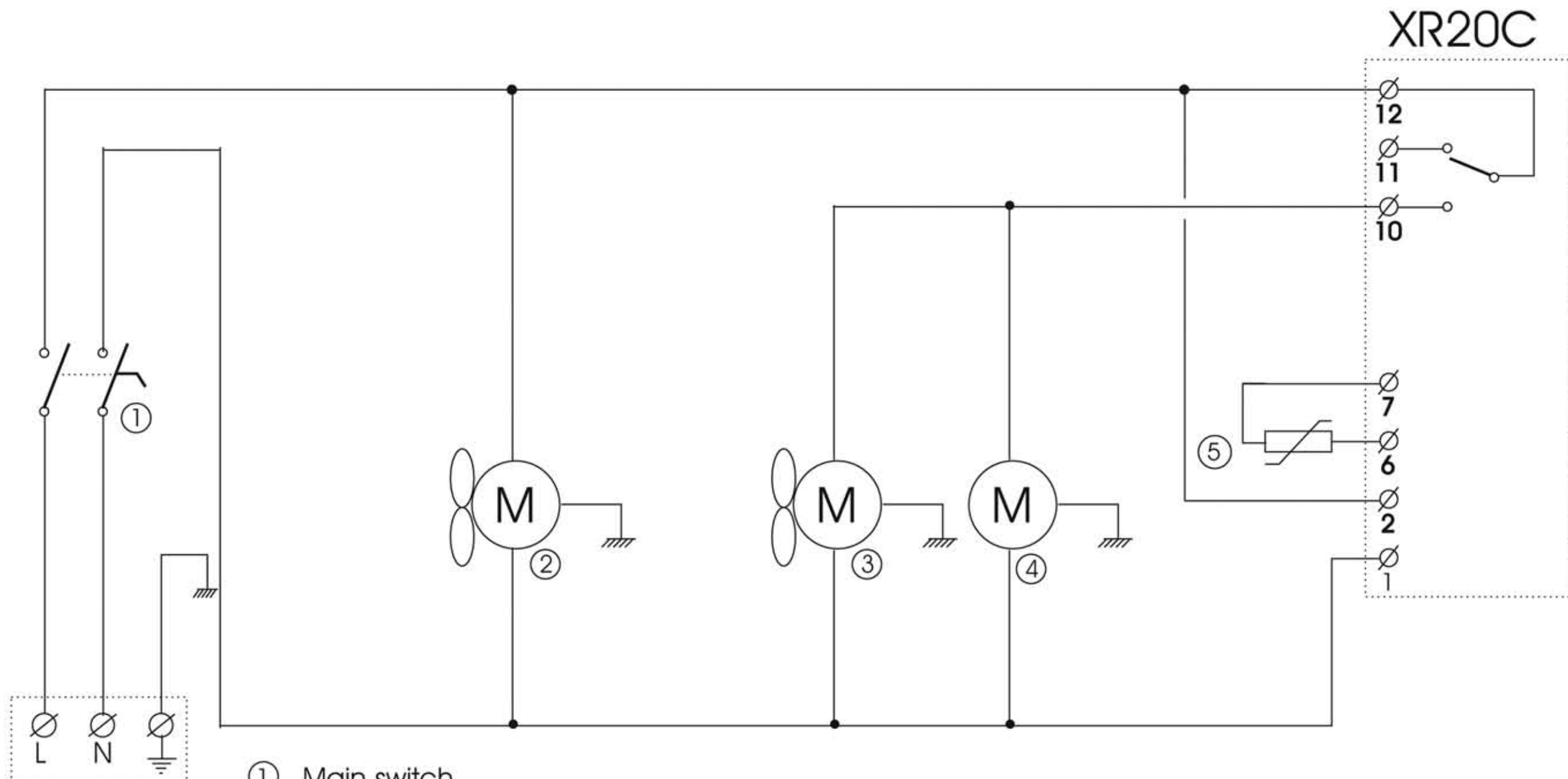
04/2013

# **Mod: SA3/GD**

**Production code: SA1365SS**



**Diamond**  
catering equipment



- ① Main switch
- ② Evaporator fan
- ③ Condenser fan
- ④ Compressor
- ⑤ Cabinet probe

	Date: 140413
Model: SA-Series	Rev.: 01
Wiring diagram	Rev. by: rfj
Drawing no.:	